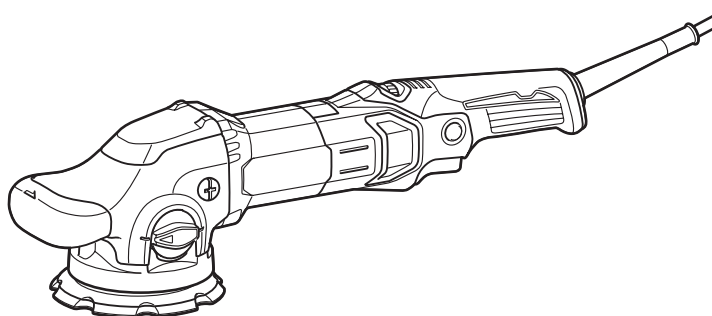
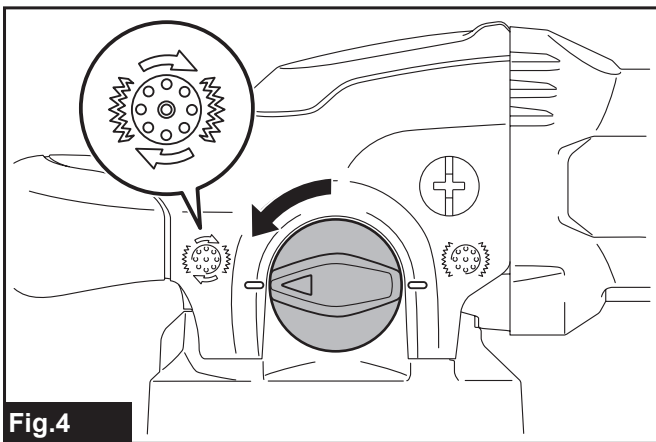
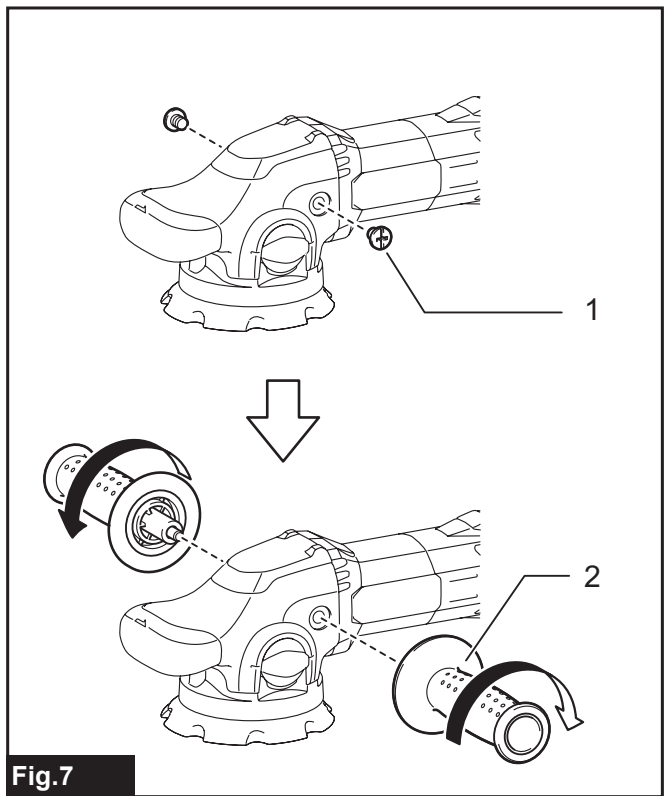
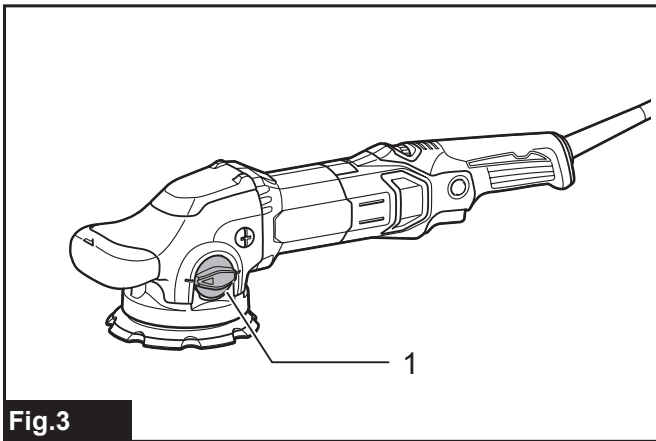
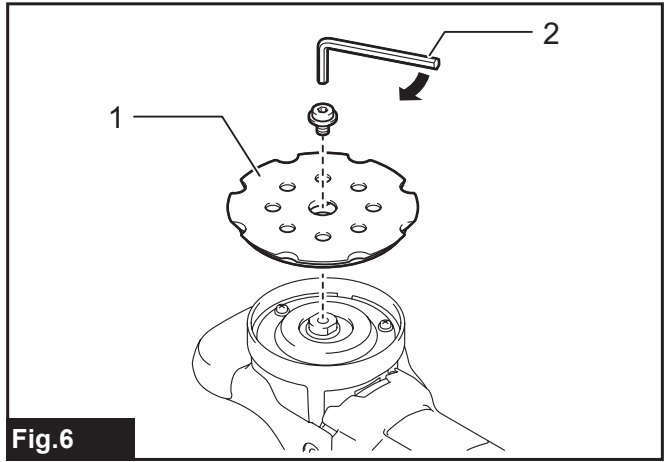
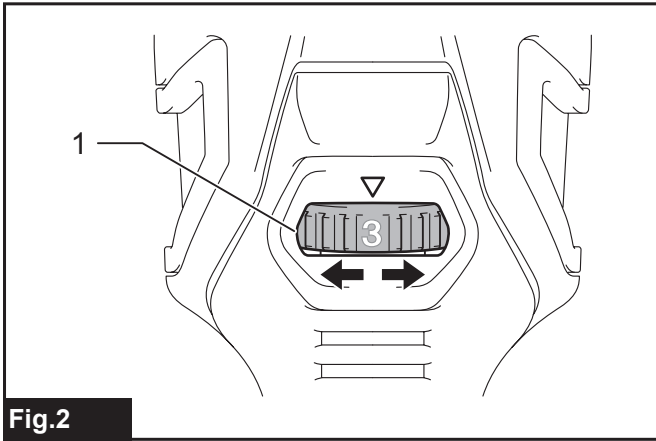
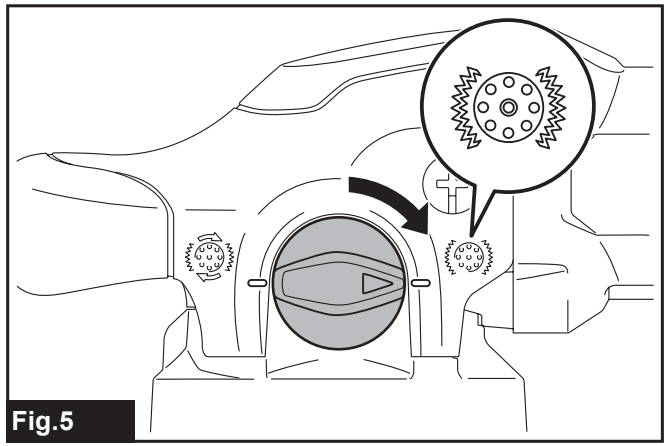
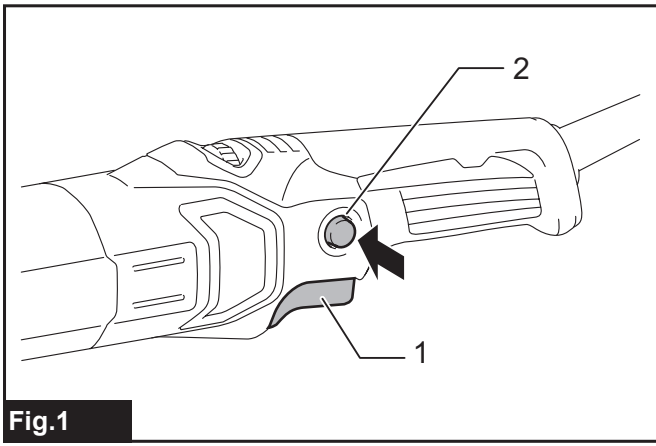


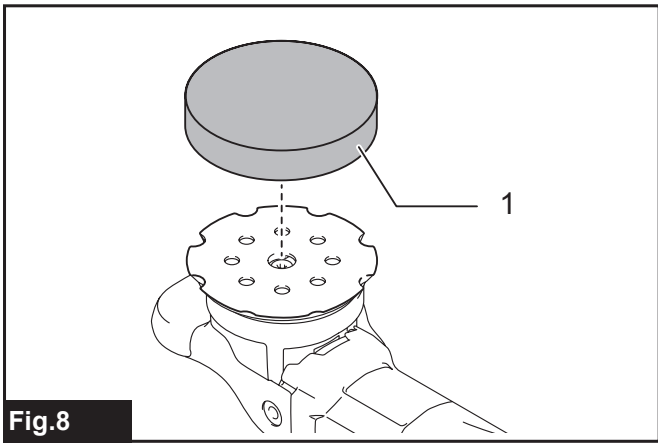


<b>EN</b>	Random Orbit Polisher	INSTRUCTION MANUAL	4
<b>FR</b>	Polisseuse excentrique	MANUEL D'INSTRUCTIONS	8
<b>DE</b>	Exzenter-Rotationsschleifer	BETRIEBSANLEITUNG	13
<b>IT</b>	Lucidatrice rotorbitale	ISTRUZIONI PER L'USO	18
<b>NL</b>	Excenter-polijstmachine	GEBRUIKSAANWIJZING	23
<b>ES</b>	Pulidora de Órbita Excéntrica	MANUAL DE INSTRUCCIONES	28
<b>PT</b>	Politriz Rotorbital	MANUAL DE INSTRUÇÕES	33
<b>DA</b>	Excenterpolérmaskine	BRUGSANVISNING	38
<b>EL</b>	Στιλβωτής τυχαίας τροχιάς	ΕΓΧΕΙΡΙΔΙΟ ΟΔΗΓΙΩΝ	43
<b>TR</b>	Titreşimli Polisaj Makinesi	KULLANMA KILAVUZU	48

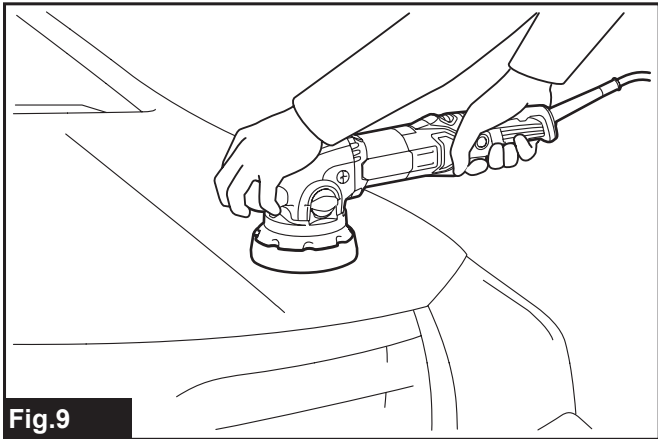
**PO5000C**  
**PO6000C**



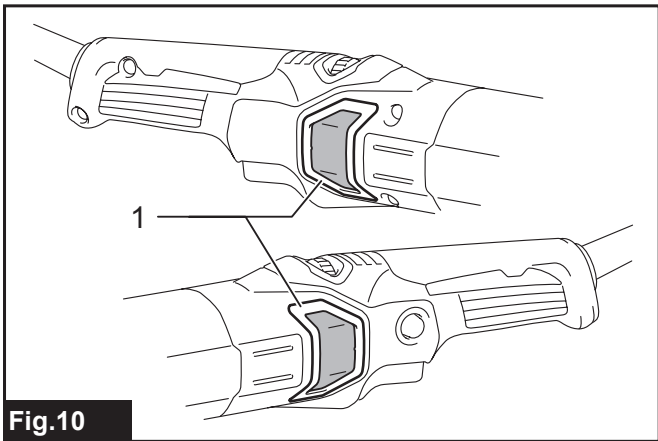




**Fig.8**



**Fig.9**



**Fig.10**

# SPECIFICATIONS

Model:	PO5000C	PO6000C
Pad diameter	125 mm	150 mm
Orbits per minute	0 - 6,800 min <sup>-1</sup>	
Overall length	451 mm	
Net weight	2.8 kg	
Safety class	□/II	

- Due to our continuing program of research and development, the specifications herein are subject to change without notice.
- Specifications may differ from country to country.
- Weight according to EPTA-Procedure 01/2003

## Intended use

The tool is intended for polishing.

## Power supply

The tool should be connected only to a power supply of the same voltage as indicated on the nameplate, and can only be operated on single-phase AC supply. They are double-insulated and can, therefore, also be used from sockets without earth wire.

## Noise

The typical A-weighted noise level determined according to 60745-2-4:

### Model PO5000C

Sound pressure level ( $L_{pA}$ ): 81 dB(A)

Sound power level ( $L_{WA}$ ): 92 dB (A)

Uncertainty (K): 3 dB(A)

### Model PO6000C

Sound pressure level ( $L_{pA}$ ): 83 dB(A)

Sound power level ( $L_{WA}$ ): 94 dB (A)

Uncertainty (K): 3 dB(A)

**⚠ WARNING: Wear ear protection.**

## Vibration

The vibration total value (tri-axial vector sum) determined according to 60745-2-4:

### Model PO5000C

Work mode: polishing

Vibration emission ( $a_{h,AP}$ ): 6.5 m/s<sup>2</sup>

Uncertainty (K): 1.5 m/s<sup>2</sup>

### Model PO6000C

Work mode: polishing

Vibration emission ( $a_{h,AP}$ ): 7.0 m/s<sup>2</sup>

Uncertainty (K): 1.5 m/s<sup>2</sup>

**NOTE:** The declared vibration emission value has been measured in accordance with the standard test method and may be used for comparing one tool with another.

**NOTE:** The declared vibration emission value may also be used in a preliminary assessment of exposure.

**⚠ WARNING:** The vibration emission during actual use of the power tool can differ from the declared emission value depending on the ways in which the tool is used.

**⚠ WARNING:** Be sure to identify safety measures to protect the operator that are based on an estimation of exposure in the actual conditions of use (taking account of all parts of the operating cycle such as the times when the tool is switched off and when it is running idle in addition to the trigger time).

## EC Declaration of Conformity

### For European countries only

The EC declaration of conformity is included as Annex A to this instruction manual.

# SAFETY WARNINGS

## General power tool safety warnings

**⚠ WARNING:** Read all safety warnings and all instructions. Failure to follow the warnings and instructions may result in electric shock, fire and/or serious injury.

## Save all warnings and instructions for future reference.

The term "power tool" in the warnings refers to your mains-operated (corded) power tool or battery-operated (cordless) power tool.

## Polisher safety warnings

1. **This power tool is intended to function as a polisher. Read all safety warnings, instructions, illustrations and specifications provided with this power tool.** Failure to follow all instructions listed below may result in electric shock, fire and/or serious injury.
2. **Operations such as grinding, wire brushing or cutting-off are not recommended to be performed with this power tool.** Operations for which the power tool was not designed may create a hazard and cause personal injury.

3. **Do not use accessories which are not specifically designed and recommended by the tool manufacturer.** Just because the accessory can be attached to your power tool, it does not assure safe operation.
4. **The rated speed of the accessory must be at least equal to the maximum speed marked on the power tool.** Accessories running faster than their rated speed can break and fly apart.
5. **The outside diameter and the thickness of your accessory must be within the capacity rating of your power tool.** Incorrectly sized accessories cannot be adequately guarded or controlled.
6. **Threaded mounting of accessories must match the spindle thread. For accessories mounted by flanges, the arbour hole of the accessory must fit the locating diameter of the flange.** Accessories that do not match the mounting hardware of the power tool will run out of balance, vibrate excessively and may cause loss of control.
7. **Do not use a damaged accessory. Before each use inspect the accessory such as backing pad for cracks, tear or excess wear. If power tool or accessory is dropped, inspect for damage or install an undamaged accessory. After inspecting and installing an accessory, position yourself and bystanders away from the plane of the rotating accessory and run the power tool at maximum no-load speed for one minute.** Damaged accessories will normally break apart during this test time.
8. **Wear personal protective equipment. Depending on application, use face shield, safety goggles or safety glasses. As appropriate, wear dust mask, hearing protectors, gloves and workshop apron capable of stopping small abrasive or workpiece fragments.** The eye protection must be capable of stopping flying debris generated by various operations. The dust mask or respirator must be capable of filtering particles generated by your operation. Prolonged exposure to high intensity noise may cause hearing loss.
9. **Keep bystanders a safe distance away from work area. Anyone entering the work area must wear personal protective equipment.** Fragments of workpiece or of a broken accessory may fly away and cause injury beyond immediate area of operation.
10. **Position the cord clear of the spinning accessory.** If you lose control, the cord may be cut or snagged and your hand or arm may be pulled into the spinning accessory.
11. **Never lay the power tool down until the accessory has come to a complete stop.** The spinning accessory may grab the surface and pull the power tool out of your control.
12. **Do not run the power tool while carrying it at your side.** Accidental contact with the spinning accessory could snag your clothing, pulling the accessory into your body.
13. **Regularly clean the power tool's air vents.** The motor's fan will draw the dust inside the housing and excessive accumulation of powdered metal may cause electrical hazards.
14. **Do not operate the power tool near flammable materials.** Sparks could ignite these materials.

15. **Do not use accessories that require liquid coolants.** Using water or other liquid coolants may result in electrocution or shock.

#### **Kickback and Related Warnings**

Kickback is a sudden reaction to a pinched or snagged rotating wheel, backing pad, brush or any other accessory. Pinching or snagging causes rapid stalling of the rotating accessory which in turn causes the uncontrolled power tool to be forced in the direction opposite of the accessory's rotation at the point of the binding. For example, if an abrasive wheel is snagged or pinched by the workpiece, the edge of the wheel that is entering into the pinch point can dig into the surface of the material causing the wheel to climb out or kick out. The wheel may either jump toward or away from the operator, depending on direction of the wheel's movement at the point of pinching. Abrasive wheels may also break under these conditions. Kickback is the result of power tool misuse and/or incorrect operating procedures or conditions and can be avoided by taking proper precautions as given below.

1. **Maintain a firm grip on the power tool and position your body and arm to allow you to resist kickback forces. Always use auxiliary handle, if provided, for maximum control over kickback or torque reaction during start-up.** The operator can control torque reactions or kickback forces, if proper precautions are taken.
2. **Never place your hand near the rotating accessory.** Accessory may kickback over your hand.
3. **Do not position your body in the area where power tool will move if kickback occurs.** Kickback will propel the tool in direction opposite to the wheel's movement at the point of snagging.
4. **Use special care when working corners, sharp edges etc. Avoid bouncing and snagging the accessory.** Corners, sharp edges or bouncing have a tendency to snag the rotating accessory and cause loss of control or kickback.
5. **Do not attach a saw chain woodcarving blade or toothed saw blade.** Such blades create frequent kickback and loss of control.

#### **Safety Warnings Specific for Polishing Operations**

1. **Do not allow any loose portion of the polishing bonnet or its attachment strings to spin freely. Tuck away or trim any loose attachment strings.** Loose and spinning attachment strings can entangle your fingers or snag on the workpiece.

#### **Additional Safety Warnings**

1. **Do not leave the tool running. Operate the tool only when hand-held.**
2. **Check that the workpiece is properly supported.**
3. **If working place is extremely hot and humid, or badly polluted by conductive dust, use a short-circuit breaker (30 mA) to assure operator safety.**
4. **Do not use the tool on any materials containing asbestos.**

## **SAVE THESE INSTRUCTIONS.**

**⚠ WARNING: DO NOT** let comfort or familiarity with product (gained from repeated use) replace strict adherence to safety rules for the subject product. **MISUSE** or failure to follow the safety rules stated in this instruction manual may cause serious personal injury.

## FUNCTIONAL DESCRIPTION

**CAUTION:** Always be sure that the tool is switched off and unplugged before adjusting or checking function on the tool.

### Switch action

**CAUTION:** Before plugging in the tool, always check to see that the switch trigger actuates properly and returns to the "OFF" position when released.

► Fig.1: 1. Switch trigger 2. Lock button

To start the tool, simply pull the switch trigger. The rotation speed will increase as you pull the trigger. Release the switch trigger to stop. For continuous operation, pull the switch trigger, push in the lock button and then release the switch trigger. To stop the tool from the locked position, pull the trigger fully, then release it.

**CAUTION:** Switch can be locked in "ON" position for ease of operator comfort during extended use. Apply caution when locking tool in "ON" position and maintain firm grasp on tool.

**CAUTION:** Do not plug in the tool with the lock-on switch engaged. The tool will be run unsupported and it may cause a personal injury or breakage.

### Speed adjusting dial

► Fig.2: 1. Speed adjusting dial

The rotating speed can be changed by turning the speed adjusting dial to a given number setting from 1 to 5. Higher speed is obtained when the dial is turned in the direction of number 5. And lower speed is obtained when it is turned in the direction of number 1. Refer to the table for the relationship between the number settings on the dial and the approximate rotating speed.

Number	Orbits per min.	Pad rotating speed per minute in random orbit with forced rotation mode
1	1,600	180
2	2,500	290
3	3,700	430
4	5,300	610
5	6,800	780

**NOTICE:** If the tool is operated continuously at low speeds for a long time, the motor will get overloaded, resulting in tool malfunction.

**NOTICE:** The speed adjusting dial can be turned only as far as 5 and back to 1. Do not force it past 5 or 1, or the speed adjusting function may no longer work.

## Electronic function

The tools equipped with electronic function are easy to operate because of the following features.

### Constant speed control

Possible to get fine finish, because the rotating speed is kept constant even under the loaded condition.

### Soft start feature

Soft start because of suppressed starting shock.

## Selecting the action mode

Turn the change knob to alter the rotation mode.

► Fig.3: 1. Change knob

**NOTICE:** Always turn the knob fully. If the knob is in the middle position, you can not turn on the tool.

**NOTICE:** You can not change the action mode when the tool is switched on.

## Random orbit with forced rotation mode

► Fig.4

Random orbit with forced rotation mode is orbital action with forced rotation of the pad for rough polishing such as surface treatment. Rotate the change knob counterclockwise for random orbit with forced rotation mode.

## Random orbit mode

► Fig.5

Random orbit mode is orbital action with free rotation of the pad for fine polishing. Rotate the change knob clockwise for random orbit mode.

## ASSEMBLY

**CAUTION:** Always be sure that the tool is switched off and unplugged before carrying out any work on the tool.

### Installing the backing pad

► Fig.6: 1. Backing pad 2. Hex wrench

Put the backing pad on the shaft then turn the bolt clockwise with a hex wrench.

**CAUTION:** Make sure that the backing pad is secured properly. Loose attachment will run out of balance and cause a excessive vibration which may cause loss of control.

### Installing side grip

**Optional accessory**

► Fig.7: 1. Cap 2. Side grip

Remove the cap and screw the side grip on the tool securely. The side grip can be installed on either side of the tool.



## Installing or removing pad

### Optional accessory

**CAUTION:** Only use hook-and-loop system pads for polishing.

#### ► Fig.8: 1. Pad

To install the pad, first remove all dirt and foreign matter from the hook-and-loop system of the pad and the backing pad. Attach the pad to the backing pad so that their edges are aligned.

To remove the pad from the backing pad, just pull up from its edge.

**CAUTION:** Make sure that the pad and backing pad are aligned and securely attached. Otherwise the pad will cause a excessive vibration which may cause loss of control or the pad may be thrown out from the tool.

## OPERATION

**CAUTION:** Only use Makita genuine pads for polishing.

**CAUTION:** Make sure the work material is secured and stable. Falling object may cause personal injury.

**CAUTION:** Hold the tool firmly with one hand on the switch handle and the other hand on the front grip (or side handle) when performing the tool.

**CAUTION:** Do not run the tool at high load over an extended time period. It may result in tool malfunction which causes electric shock, fire and/or serious injury.

**CAUTION:** Be careful not to touch the rotating part.

**NOTICE:** Never force the tool. Excessive pressure may lead to decreased polishing efficiency, damaged pad, or shorten tool life.

**NOTICE:** Continuous operation at high speed may damage work surface.

## Polishing operation

#### ► Fig.9

1. Surface treatment (Random orbit with forced rotation mode)

Use a wool pad for rough finishing then use a sponge pad for fine finishing.

2. Applying wax (Random orbit mode)

Use a sponge pad. Apply wax to the sponge pad or work surface. Run the tool at low speed to smooth out wax.

**CAUTION:** Do not apply excessive wax or polishing agent. It will generate more dust and may cause eye or respiratory diseases.

**NOTE:** First, perform a test waxing on an inconspicuous portion of the work surface. Make sure that the tool will not scratch the surface or result in uneven waxing before.

3. Removing wax (Random orbit mode)

Use another sponge pad. Run the tool to remove wax.

4. Polishing (Random orbit mode)

Apply a felt pad gently to the work surface.

## MAINTENANCE

**CAUTION:** Always be sure that the tool is switched off and unplugged before attempting to perform inspection or maintenance.

**NOTICE:** Never use gasoline, benzine, thinner, alcohol or the like. Discoloration, deformation or cracks may result.

## Cleaning dust covers

#### ► Fig.10: 1. Dust cover

Regularly clean the dust covers on the inhalation vents for smooth air circulation. Remove the dust covers and clean the mesh.

To maintain product SAFETY and RELIABILITY, repairs, carbon brush inspection and replacement, any other maintenance or adjustment should be performed by Makita Authorized or Factory Service Centers, always using Makita replacement parts.

## OPTIONAL ACCESSORIES

**CAUTION:** These accessories or attachments are recommended for use with your Makita tool specified in this manual. The use of any other accessories or attachments might present a risk of injury to persons. Only use accessory or attachment for its stated purpose.

If you need any assistance for more details regarding these accessories, ask your local Makita Service Center.

- Side grip
- Backing pad
- Wool pad
- Sponge pad
- Felt pad

**NOTE:** Some items in the list may be included in the tool package as standard accessories. They may differ from country to country.

# SPÉCIFICATIONS

Modèle :	PO5000C	PO6000C
Diamètre du plateau	125 mm	150 mm
Nombre d'oscillations par minute	0 à 6 800 min <sup>-1</sup>	
Longueur totale	451 mm	
Poids net	2,8 kg	
Catégorie de sécurité	□/II	

- Étant donné l'évolution constante de notre programme de recherche et de développement, les spécifications contenues dans ce manuel sont sujettes à modification sans préavis.
- Les spécifications peuvent varier suivant les pays.
- Poids selon la procédure EPTA 01/2003

## Utilisations

L'outil est conçu pour polir.

## Alimentation

L'outil ne devra être raccordé qu'à une alimentation de la même tension que celle qui figure sur la plaque signalétique, et il ne pourra fonctionner que sur un courant secteur monophasé. Réalisé avec une double isolation, il peut de ce fait être alimenté par une prise sans mise à la terre.

## Bruit

Niveau de bruit pondéré A typique, déterminé selon 60745-2-4 :

### Modèle PO5000C

Niveau de pression sonore ( $L_{pA}$ ) : 81 dB (A)  
 Niveau de puissance sonore ( $L_{WA}$ ) : 92 dB (A)  
 Incertitude (K) : 3 dB (A)

### Modèle PO6000C

Niveau de pression sonore ( $L_{pA}$ ) : 83 dB (A)  
 Niveau de puissance sonore ( $L_{WA}$ ) : 94 dB (A)  
 Incertitude (K) : 3 dB (A)

**AVERTISSEMENT** : Portez un serre-tête antibruit.

## Vibrations

Valeur totale de vibrations (somme de vecteur triaxial) déterminée selon 60745-2-4 :

### Modèle PO5000C

Mode de travail : polissage  
 Émission de vibrations ( $a_{h,AP}$ ) : 6,5 m/s<sup>2</sup>  
 Incertitude (K) : 1,5 m/s<sup>2</sup>

### Modèle PO6000C

Mode de travail : polissage  
 Émission de vibrations ( $a_{h,AP}$ ) : 7,0 m/s<sup>2</sup>  
 Incertitude (K) : 1,5 m/s<sup>2</sup>

**NOTE** : La valeur d'émission de vibrations déclarée a été mesurée conformément à la méthode de test standard et peut être utilisée pour comparer les outils entre eux.

**NOTE** : La valeur d'émission de vibrations déclarée peut aussi être utilisée pour l'évaluation préliminaire de l'exposition.

**AVERTISSEMENT** : L'émission de vibrations lors de l'usage réel de l'outil électrique peut être différente de la valeur d'émission déclarée, suivant la façon dont l'outil est utilisé.

**AVERTISSEMENT** : Les mesures de sécurité à prendre pour protéger l'utilisateur doivent être basées sur une estimation de l'exposition dans des conditions réelles d'utilisation (en tenant compte de toutes les composantes du cycle d'utilisation, comme par exemple le moment de sa mise hors tension, lorsqu'il tourne à vide et le moment de son déclenchement).

## Déclaration de conformité CE

### Pour les pays européens uniquement

La déclaration de conformité CE est fournie en Annexe A à ce mode d'emploi.

# CONSIGNES DE SÉCURITÉ

## Consignes de sécurité générales pour outils électriques

**AVERTISSEMENT** : Lisez toutes les consignes de sécurité et toutes les instructions. Il y a risque d'électrocution, d'incendie et/ou de graves blessures si les mises en garde et les instructions ne sont pas respectées.



## Conservez toutes les mises en garde et instructions pour référence ultérieure.

Le terme « outil électrique » dans les avertissements fait référence à l'outil électrique alimenté par le secteur (avec cordon d'alimentation) ou à l'outil électrique fonctionnant sur batterie (sans cordon d'alimentation).

### Consignes de sécurité pour polisseuse

- Cet outil électrique est conçu pour fonctionner comme polisseuse. Veuillez lire les consignes de sécurité, instructions, illustrations et spécifications qui accompagnent cet outil électrique.** Le non-respect de toutes les instructions indiquées ci-dessous peut entraîner une électrocution, un incendie et/ou de graves blessures.
- Il n'est pas recommandé de meuler, d'effectuer un brossage métallique ou de tronçonner avec cet outil électrique.** L'exécution d'opérations pour lesquelles l'outil électrique n'a pas été conçu est dangereuse et peut entraîner des blessures.
- N'utilisez pas d'accessoires qui n'ont pas été conçus spécifiquement et recommandés par le fabricant de l'outil.** Même si un accessoire peut être fixé sur l'outil électrique, cela ne garantit pas qu'il fonctionnera de manière sûre.
- La vitesse nominale de l'accessoire doit être au moins égale à la vitesse maximum inscrite sur l'outil électrique.** Les accessoires tournant plus vite que leur vitesse nominale peuvent se casser et voler en éclats.
- Le diamètre extérieur et l'épaisseur de l'accessoire ne doivent pas dépasser la capacité nominale de l'outil électrique.** Les accessoires de taille incorrecte ne peuvent être protégés ou contrôlés adéquatement.
- Le filetage des accessoires à monter doit correspondre à celui de l'axe. Pour les accessoires montés à l'aide de flasques, la taille de l'alésage de l'accessoire doit correspondre au diamètre de centrage du flasque.** Des accessoires inadaptés au matériel de montage de l'outil électrique présenteront un déséquilibre et des vibrations excessives, et risquent d'entraîner une perte de contrôle.
- N'utilisez pas l'accessoire s'il est endommagé. Avant chaque utilisation, inspectez les accessoires tels que le plateau de support, pour vérifier l'absence de fissures, de déchirures ou d'une usure excessive. Si vous lâchez l'outil électrique ou un accessoire, assurez-vous qu'il n'est pas endommagé ou bien remplacez l'accessoire endommagé. Après avoir vérifié et posé un accessoire, assurez-vous que personne, y compris vous-même, ne se trouve dans la trajectoire de l'accessoire en rotation et faites tourner l'outil électrique à la vitesse à vide maximale pendant une minute.** Les accessoires endommagés se brisent généralement au cours de cette période d'essai.
- Portez un équipement de protection individuelle. Suivant le type de travail à effectuer, utilisez un écran facial, des lunettes à coques ou des lunettes de sécurité. Si nécessaire, portez un masque anti-poussière, des protège-tympons, des gants et un tablier de travail pouvant arrêter les particules abrasives ou les fragments de pièce.** La protection oculaire doit pouvoir arrêter les débris volants produits par les diverses opérations. Le masque anti-poussières ou le masque filtrant doit pouvoir filtrer les particules générées lors des travaux. Une exposition prolongée à un bruit d'intensité élevée peut entraîner une perte auditive.
- Assurez-vous que les passants demeurent à une distance sûre de la zone de travail. Toute personne pénétrant dans la zone de travail doit porter un équipement de protection individuelle.** Des fragments de pièce ou un accessoire cassé peuvent être éjectés et blesser les personnes au-delà de la zone immédiate de travail.
- Placez le cordon à l'écart de l'accessoire en rotation.** En cas de perte de maîtrise, vous risquez, en coupant ou en accrochant le cordon, d'avoir la main ou le bras attiré vers l'accessoire en rotation.
- Ne déposez jamais l'outil électrique avant que l'accessoire ne se soit parfaitement arrêté.** L'accessoire en rotation peut accrocher la surface et projeter l'outil électrique de telle sorte que vous en perdiez la maîtrise.
- Ne transportez pas l'outil électrique tout en le laissant tourner.** En cas de contact accidentel avec l'accessoire en rotation, ce dernier risque d'accrocher vos vêtements et d'être entraîné vers votre corps.
- Nettoyez régulièrement les orifices d'aération de l'outil électrique.** Le ventilateur du moteur aspire la poussière à l'intérieur du carter, ce qui présente un danger électrique en cas d'accumulation excessive de poussières métalliques.
- N'utilisez pas l'outil électrique près de matériaux inflammables.** Les étincelles risqueraient d'enflammer ces matériaux.
- N'utilisez pas d'accessoires nécessitant un liquide de refroidissement.** L'utilisation d'eau ou d'un liquide de refroidissement comporte un risque d'électrocution ou de choc électrique.

#### Mises en garde concernant le choc en retour et autres dangers

Le choc en retour est une réaction soudaine qui survient lorsque la meule, la semelle, la brosse ou un autre accessoire en rotation se coince ou accroche. Lorsque l'accessoire en rotation se coince ou accroche, il s'arrête soudainement et l'utilisateur perd alors la maîtrise de l'outil électrique projeté dans le sens contraire de sa rotation au point où il se coince dans la pièce.

Par exemple, si une meule abrasive accroche ou se coince dans la pièce, son tranchant introduit au point de pincement risque d'y creuser la surface du matériau, entraînant la sortie ou le déchaussement de la meule. La meule peut alors dévier de sa trajectoire, vers l'utilisateur ou dans le sens opposé, selon la direction du mouvement de la meule au point de pincement. Dans ces conditions, la meule abrasive risque également de se briser.

Le choc en retour est le résultat d'une utilisation incorrecte de l'outil électrique et/ou de l'inobservation des procédures ou conditions d'utilisation. Il peut être évité en prenant les précautions adéquates indiquées ci-dessous.

1. **Maintenez une poigne ferme sur l'outil électrique et placez corps et bras de façon à pouvoir résister à la force exercée par les chocs en retour. Utilisez toujours la poignée auxiliaire, s'il y en a une, pour avoir une maîtrise maximale de l'outil en cas de choc en retour ou de force de réaction exercée au moment du démarrage.** L'utilisateur peut maîtriser les forces de réaction ou de choc en retour s'il prend les précautions adéquates.
2. **Ne placez jamais la main près d'un accessoire en rotation.** L'accessoire risquerait de passer sur votre main en cas de choc en retour.
3. **Ne vous placez pas dans la zone vers laquelle l'outil électrique se déplacera en cas de choc en retour.** Le choc en retour projettera l'outil dans le sens opposé au mouvement de la meule au point où elle accroche dans la pièce.
4. **Soyez tout particulièrement prudent lorsque vous travaillez sur les coins, les arêtes vives, etc. Évitez de laisser l'accessoire sautiller ou accrocher.** L'accessoire en rotation a tendance à accrocher dans les coins, sur les arêtes vives ou lorsqu'il sautille, ce qui comporte un risque de perte de maîtrise ou de choc en retour.
5. **Ne fixez pas une chaîne de coupe, une lame à sculpter le bois ou une lame de scie dentée.** De telles lames causent fréquemment des chocs en retour et des pertes de maîtrise.

**Consignes de sécurité propres aux travaux de polissage**

1. **Évitez de laisser tourner librement toute partie de la peau de polissage ou l'excédent des fils qui la retiennent. Cachez ou coupez tout excédent de fil.** En tournant, l'excédent de fil risquerait de s'enchevêtrer autour de vos doigts ou d'accrocher la pièce à travailler.

**Consignes de sécurité supplémentaires**

1. **Ne vous éloignez pas de l'outil quand il fonctionne. Ne faites fonctionner l'outil que lorsque vous le tenez en main.**
2. **Assurez-vous que la pièce est correctement soutenue.**
3. **Si le site de travail est extrêmement chaud et humide ou s'il y a beaucoup de poussières conductrices dans l'air, utilisez un coupe-circuit (30 mA) pour assurer votre sécurité.**
4. **N'utilisez l'outil sur aucun matériau contenant de l'amiante.**

## CONSERVEZ CES INSTRUCTIONS.

**⚠️ AVERTISSEMENT : NE vous laissez PAS tromper (au fil d'une utilisation répétée) par un sentiment d'aisance et de familiarité avec le produit, en négligeant le respect rigoureux des consignes de sécurité qui accompagnent le produit en question. La MAUVAISE UTILISATION de l'outil ou l'ignorance des consignes de sécurité indiquées dans ce mode d'emploi peut entraîner de graves blessures.**

## DESCRIPTION DU FONCTIONNEMENT

**⚠️ ATTENTION :** Assurez-vous toujours que l'outil est hors tension et débranché avant de l'ajuster ou de vérifier son fonctionnement.

### Fonctionnement de la gâchette

**⚠️ ATTENTION :** Avant de brancher l'outil, assurez-vous toujours que la gâchette fonctionne correctement et revient en position d'arrêt une fois relâchée.

► **Fig.1:** 1. Gâchette 2. Bouton de verrouillage

Il suffit d'enclencher la gâchette pour démarrer l'outil. La vitesse de rotation augmentera à mesure que vous enfoncez la gâchette. Pour l'arrêter, relâchez la gâchette. Pour un fonctionnement continu, enclenchez la gâchette et poussez le bouton de verrouillage, puis relâchez la gâchette. Pour arrêter l'outil en position verrouillée, enclenchez à fond la gâchette puis relâchez-la.

**⚠️ ATTENTION :** Vous pouvez verrouiller l'interrupteur sur la position « Marche » pour plus de confort en cas d'utilisation prolongée. Soyez prudent lorsque vous verrouillez l'outil sur la position « Marche », et gardez une prise ferme sur l'outil.

**⚠️ ATTENTION :** Ne branchez pas l'outil alors que l'interrupteur de verrouillage est enclenché. L'outil fonctionnera sans être soutenu, ce qui présente un risque de blessure ou de rupture.

### Cadran de réglage de la vitesse

► **Fig.2:** 1. Cadran de réglage de la vitesse

La vitesse de rotation peut être modifiée en tournant le cadran de réglage de la vitesse sur un numéro de réglage donné, de 1 à 5. Une vitesse plus élevée est obtenue lorsque le cadran est tourné en direction du numéro 5. Tandis qu'une vitesse moins élevée est obtenue lorsque le cadran est tourné en direction du numéro 1.

Reportez-vous au tableau pour le rapport entre les réglages numérotés sur le cadran et la vitesse approximative de rotation.

Numéro	Nombre d'oscillations par minute	Vitesse de rotation du plateau par minute en mode excentrique à rotation forcée
1	1 600	180
2	2 500	290
3	3 700	430
4	5 300	610
5	6 800	780

**REMARQUE** : Si l'outil est utilisé de manière continue à vitesse basse sur une période prolongée, le moteur surchauffera, entraînant un dysfonctionnement de l'outil.

**REMARQUE** : Le cadran de réglage de la vitesse ne peut pas être tourné plus haut que 5 ou plus bas que 1. N'essayez pas de le placer au-delà de 5 ou en dessous de 1, sinon le réglage de la vitesse risque de ne plus fonctionner.

## Fonctions électroniques

Les caractéristiques suivantes facilitent l'utilisation des outils munis de fonctions électroniques.

### Commande de vitesse constante

Permet d'obtenir une finition précise puisque la vitesse de rotation est maintenue constante même en condition de charge.

### Fonction de démarrage en douceur

La suppression du choc de démarrage permet un démarrage en douceur.

## Sélection du mode de fonctionnement

Tournez le bouton de changement pour modifier le mode de rotation.

► Fig.3: 1. Bouton de changement

**REMARQUE** : Tournez toujours le bouton à fond. Si le bouton est sur la position intermédiaire, l'outil ne peut pas être mis sous tension.

**REMARQUE** : Il est impossible de changer le mode de fonctionnement lorsque l'outil est sous tension.

### Mode excentrique à rotation forcée

► Fig.4

Le mode excentrique à rotation forcée consiste en une course orbitale avec rotation forcée du plateau pour un polissage grossier, comme le traitement de surface. Tournez le bouton de changement dans le sens inverse des aiguilles d'une montre pour le mode excentrique à rotation forcée.

### Mode excentrique

► Fig.5

Le mode excentrique consiste en une course orbitale avec rotation libre du plateau pour un polissage fin. Tournez le bouton de changement dans le sens des aiguilles d'une montre pour le mode excentrique.

## ASSEMBLAGE

**ATTENTION** : Avant d'effectuer toute intervention sur l'outil, assurez-vous toujours qu'il est hors tension et débranché.

### Pose du plateau de support

► Fig.6: 1. Plateau de support 2. Clé hexagonale

Placez le plateau de support sur l'arbre, puis tournez le boulon dans le sens des aiguilles d'une montre avec une clé hexagonale.

**ATTENTION** : Assurez-vous que le plateau de support est solidement fixé. Une mauvaise fixation entraînera un déséquilibre et des vibrations excessives, ce qui peut provoquer une perte de contrôle.

### Installation de la poignée latérale

*Accessoire en option*

► Fig.7: 1. Capuchon 2. Poignée latérale

Retirez le capuchon et vissez solidement la poignée latérale sur l'outil.

La poignée latérale peut être installée des deux côtés de l'outil.

### Pose ou dépose du plateau

*Accessoire en option*

**ATTENTION** : N'utilisez que des plateaux à fixation auto-agrippante pour le polissage.

► Fig.8: 1. Plateau

Pour installer le plateau, enlevez d'abord toute la saleté ou tout corps étranger de la fixation auto-agrippante du plateau et du plateau de support. Fixez le plateau sur le plateau de support en alignant leurs bords.

Pour retirer le plateau du plateau de support, il suffit de le soulever par le bord.

**ATTENTION** : Assurez-vous que le plateau et le plateau de support sont alignés et solidement fixés. Le plateau provoquera autrement des vibrations excessives susceptibles d'entraîner une perte de contrôle ou le plateau risque d'être éjecté de l'outil.

## UTILISATION

**⚠ ATTENTION** : N'utilisez que des plateaux de marque Makita pour le polissage.

**⚠ ATTENTION** : Assurez-vous que le matériau à travailler est fixé en place et stable. La chute d'un objet présente un risque de blessure.

**⚠ ATTENTION** : Tenez fermement l'outil avec une main sur la poignée de l'interrupteur et l'autre main sur la poignée avant (ou poignée latérale) lorsque vous utilisez l'outil.

**⚠ ATTENTION** : Ne faites pas fonctionner l'outil à haut régime pendant une période prolongée. Cela pourrait entraîner un dysfonctionnement de l'outil provoquant une électrocution, un incendie et/ou de graves blessures.

**⚠ ATTENTION** : Prenez garde de ne pas toucher la pièce rotative.

**REMARQUE** : Ne forcez jamais l'outil. Une pression trop grande peut provoquer une diminution de l'efficacité du polissage, endommager le plateau ou réduire la durée de service de l'outil.

**REMARQUE** : Un fonctionnement continu à vitesse élevée peut endommager la surface de travail.

## Opération de polissage

► Fig.9

1. Traitement de surface (Mode excentrique à rotation forcée)

Utilisez un plateau en peau de mouton pour un fini grossier et un plateau en mousse pour un fini précis.

2. Application de cire (Mode excentrique)

Utilisez un plateau en mousse. Appliquez de la cire sur le plateau en mousse ou sur la surface de travail. Faites fonctionner l'outil à basse vitesse pour étendre la cire.

**⚠ ATTENTION** : N'appliquez pas trop de cire ou d'agent de polissage. Cela dégagera de la poussière et pourrait provoquer des affections oculaires ou respiratoires.

**NOTE** : Commencez par effectuer un test de cirage sur une partie peu visible de la surface de travail. Assurez-vous au préalable que l'outil n'éraflera pas la surface ou ne produira pas un cirage inégal.

3. Retrait de la cire (Mode excentrique)

Utilisez un autre plateau en mousse. Faites fonctionner l'outil pour retirer la cire.

4. Polissage (Mode excentrique)

Appliquez délicatement un plateau en feutre sur la surface de travail.

## ENTRETIEN

**⚠ ATTENTION** : Assurez-vous toujours que l'outil est hors tension et débranché avant d'y effectuer tout travail d'inspection ou d'entretien.

**REMARQUE** : N'utilisez jamais d'essence, benzine, diluant, alcool ou autre produit similaire. Cela risquerait de provoquer la décoloration, la déformation ou la fissuration de l'outil.

## Nettoyage des pare-poussières

► Fig.10: 1. Pare-poussière

Nettoyez régulièrement les pare-poussières sur les orifices d'entrée d'air pour faciliter la circulation de l'air. Retirez les pare-poussières et nettoyez le filet.

Pour maintenir la SÉCURITÉ et la FIABILITÉ du produit, les réparations, l'inspection et le remplacement des balais en carbone, ainsi que tout autre travail d'entretien ou de réglage doivent être effectués par un centre d'entretien Makita agréé, avec des pièces de rechange Makita.

## ACCESSOIRES EN OPTION

**⚠ ATTENTION** : Ces accessoires ou pièces complémentaires sont recommandés pour l'utilisation avec l'outil Makita spécifié dans ce mode d'emploi. L'utilisation de tout autre accessoire ou pièce complémentaire peut comporter un risque de blessure. N'utilisez les accessoires ou pièces complémentaires qu'aux fins auxquelles ils ont été conçus.

Pour obtenir plus de détails sur ces accessoires, contactez votre centre d'entretien local Makita.

- Poignée latérale
- Plateau de support
- Plateau en peau de mouton
- Plateau en mousse
- Plateau en feutre

**NOTE** : Il se peut que certains éléments de la liste soient compris dans l'emballage de l'outil en tant qu'accessoires standard. Ils peuvent varier d'un pays à l'autre.



## TECHNISCHE DATEN

Modell:	PO5000C	PO6000C
Schleiftellerdurchmesser	125 mm	150 mm
Umdrehungen pro Minute	0 - 6.800 min <sup>-1</sup>	
Gesamtlänge	451 mm	
Nettogewicht	2,8 kg	
Sicherheitsklasse	□/II	

- Wir behalten uns vor, Änderungen der technischen Daten im Zuge der Entwicklung und des technischen Fortschritts ohne vorherige Ankündigung vorzunehmen.
- Die technischen Daten können von Land zu Land unterschiedlich sein.
- Gewicht nach EPTA-Verfahren 01/2003

### Vorgesehene Verwendung

Das Werkzeug ist zum Polieren vorgesehen.

### Stromversorgung

Das Werkzeug sollte nur an eine Stromquelle angeschlossen werden, deren Spannung mit der Angabe auf dem Typenschild übereinstimmt, und kann nur mit Einphasen-Wechselstrom betrieben werden. Diese sind doppelt schutzisoliert und können daher auch an Steckdosen ohne Erdleiter verwendet werden.

### Geräusch

Typischer A-bewerteter Geräuschpegel ermittelt gemäß 60745-2-4:

#### Modell PO5000C

Schalldruckpegel ( $L_{pA}$ ): 81 dB (A)  
 Schalleistungspegel ( $L_{WA}$ ): 92 dB (A)  
 Messunsicherheit (K): 3 dB (A)

#### Modell PO6000C

Schalldruckpegel ( $L_{pA}$ ): 83 dB (A)  
 Schalleistungspegel ( $L_{WA}$ ): 94 dB (A)  
 Messunsicherheit (K): 3 dB (A)

**⚠️ WARNUNG:** Einen Gehörschutz tragen.

### Schwingungen

Schwingungsgesamtwert (Drei-Achsen-Vektorsumme) ermittelt gemäß 60745-2-4:

#### Modell PO5000C

Arbeitsmodus: Polieren  
 Schwingungsemission ( $a_{h,AP}$ ): 6,5 m/s<sup>2</sup>  
 Messunsicherheit (K): 1,5 m/s<sup>2</sup>

#### Modell PO6000C

Arbeitsmodus: Polieren  
 Schwingungsemission ( $a_{h,AP}$ ): 7,0 m/s<sup>2</sup>  
 Messunsicherheit (K): 1,5 m/s<sup>2</sup>

**HINWEIS:** Der angegebene Schwingungsemissionswert wurde im Einklang mit der Standardprüfmethode gemessen und kann für den Vergleich zwischen Werkzeugen herangezogen werden.

**HINWEIS:** Der angegebene Schwingungsemissionswert kann auch für eine Vorbewertung des Gefährdungsgrads verwendet werden.

**⚠️ WARNUNG:** Die Schwingungsemission während der tatsächlichen Benutzung des Elektrowerkzeugs kann je nach der Benutzungsweise des Werkzeugs vom angegebenen Emissionswert abweichen.

**⚠️ WARNUNG:** Identifizieren Sie Sicherheitsmaßnahmen zum Schutz des Benutzers anhand einer Schätzung des Gefährdungsgrads unter den tatsächlichen Benutzungsbedingungen (unter Berücksichtigung aller Phasen des Arbeitszyklus, wie z. B. Ausschalt- und Leerlaufzeiten des Werkzeugs zusätzlich zur Betriebszeit).

### EG-Konformitätserklärung

#### Nur für europäische Länder

Die EG-Konformitätserklärung ist als Anhang A in dieser Bedienungsanleitung enthalten.

## SICHERHEITSWARNUNGEN

### Allgemeine Sicherheitswarnungen für Elektrowerkzeuge

**⚠️ WARNUNG:** Lesen Sie alle Sicherheitswarnungen und Anweisungen durch. Eine Missachtung der unten aufgeführten Warnungen und Anweisungen kann zu einem elektrischen Schlag, Brand und/oder schweren Verletzungen führen.



# Bewahren Sie alle Warnungen und Anweisungen für spätere Bezugnahme auf.

Der Ausdruck „Elektrowerkzeug“ in den Warnhinweisen bezieht sich auf Ihr mit Netzstrom (mit Kabel) oder Akku (ohne Kabel) betriebenes Elektrowerkzeug.

## Sicherheitswarnungen für Polierer

- Dieses Elektrowerkzeug ist für den Einsatz als Polierer vorgesehen. Lesen Sie alle mit diesem Elektrowerkzeug gelieferten Sicherheitswarnungen, Anweisungen, Abbildungen und technischen Daten durch.**  
Eine Missachtung der unten aufgeführten Anweisungen kann zu einem elektrischen Schlag, Brand und/oder schweren Verletzungen führen.
- Arbeiten, wie Schleifen, Drahtbürsten oder Trennschleifen, sind mit diesem Elektrowerkzeug nicht zu empfehlen.**  
Benutzungsweisen, für die das Elektrowerkzeug nicht ausgelegt ist, können Gefahren erzeugen und Personenschäden verursachen.
- Verwenden Sie kein Zubehör, das nicht speziell vom Werkzeughersteller vorgesehen ist und empfohlen wird.** Die bloße Tatsache, dass ein Zubehörteil an Ihrem Elektrowerkzeug angebracht werden kann, gewährleistet noch keinen sicheren Betrieb.
- Die Nenndrehzahl des Zubehörteils muss mindestens der am Elektrowerkzeug angegebenen Maximaldrehzahl entsprechen.** Zubehörteile, die schneller als ihre Nenndrehzahl rotieren, können bersten und auseinander fliegen.
- Außendurchmesser und Dicke des Zubehörteils müssen innerhalb der Kapazitätsgrenzen Ihres Elektrowerkzeugs liegen.** Zubehörteile der falschen Größe können nicht angemessen geschützt oder kontrolliert werden.
- Die Gewindehalterung von Zubehörteilen muss genau dem Gewinde der Spindel entsprechen. Bei Zubehörteilen, die durch Flansche montiert werden, muss die Spindelbohrung dem Positionierdurchmesser des Flansches angepasst sein.** Zubehörteile, die nicht genau auf den Montageflansch des Elektrowerkzeugs passen, laufen unruhig, vibrieren übermäßig und können einen Verlust der Kontrolle verursachen.
- Verwenden Sie keine beschädigten Zubehörteile. Überprüfen Sie das Zubehörteil, z. B. den Stützteller, vor jedem Gebrauch auf Brüche, Risse oder übermäßigen Verschleiß. Falls das Elektrowerkzeug oder das Zubehörteil herunterfällt, überprüfen Sie es auf Beschädigung, oder montieren Sie ein unbeschädigtes Zubehörteil. Achten Sie nach der Überprüfung und Installation eines Zubehörteils darauf, dass Sie selbst und Umstehende nicht in der Rotationsebene des Zubehörteils stehen, und lassen Sie das Elektrowerkzeug eine Minute lang mit maximaler Leerlaufdrehzahl laufen.** Ein beschädigtes Zubehörteil bricht normalerweise während dieses Probelaufs auseinander.
- Tragen Sie Schutzausrüstung. Benutzen Sie je nach der Arbeit einen Gesichtsschutz bzw. eine Sicherheits- oder Schutzbrille. Tragen Sie bei Bedarf eine Staubmaske, Ohrenschützer, Handschuhe und eine Arbeitsschürze, die in der Lage ist, kleine Schleifpartikel oder Werkstücksplitter abzuwehren.** Der Augenschutz muss in der Lage sein, den bei verschiedenen Arbeiten anfallenden Flugstaub abzuwehren. Die Staubmaske oder Atemschutzmaske muss in der Lage sein, durch die Arbeit erzeugte Partikel herauszufiltern. Lang anhaltende Lärmbelastung kann zu Gehörschäden führen.
- Halten Sie Umstehende in sicherem Abstand vom Arbeitsbereich. Jeder, der den Arbeitsbereich betritt, muss persönliche Schutzausrüstung tragen.** Bruchstücke des Werkstücks oder eines beschädigten Zubehörteils können weggeschleudert werden und Verletzungen über den unmittelbaren Arbeitsbereich hinaus verursachen.
- Halten Sie das Kabel vom rotierenden Zubehörteil fern.** Falls Sie die Kontrolle verlieren, kann das Kabel durchgetrennt oder erfasst werden, so dass Ihre Hand oder Ihr Arm in das rotierende Zubehörteil hineingezogen wird.
- Legen Sie das Elektrowerkzeug erst ab, nachdem das Zubehörteil zum vollständigen Stillstand gekommen ist.** Anderenfalls kann das rotierende Zubehörteil die Oberfläche erfassen und das Elektrowerkzeug aus Ihren Händen reißen.
- Lassen Sie das Elektrowerkzeug nicht laufen, während Sie es an Ihrer Seite tragen.** Das rotierende Zubehörteil könnte sonst bei versehentlichem Kontakt Ihre Kleidung erfassen und auf Ihren Körper zu gezogen werden.
- Reinigen Sie die Ventilationsöffnungen des Elektrowerkzeugs regelmäßig.** Der Lüfter des Motors saugt Staub in das Gehäuse an, und starke Ablagerungen von Metallstaub können elektrische Gefahren verursachen.
- Betreiben Sie das Elektrowerkzeug nicht in der Nähe von brennbaren Materialien.** Funken könnten diese Materialien entzünden.
- Verwenden Sie keine Zubehörteile, die Kühlflüssigkeiten erfordern.** Die Verwendung von Wasser oder anderen Kühlflüssigkeiten kann zu einem Stromschlag führen.

### Warnungen vor Rückschlag und damit zusammenhängenden Gefahren

Ein Rückschlag ist eine plötzliche Reaktion auf Klemmen oder Hängenbleiben der Schleifscheibe, des Schleiftellers, der Drahtbürste oder eines anderen Zubehörteils. Klemmen oder Hängenbleiben verursacht sofortiges Stocken des rotierenden Zubehörteils, was wiederum dazu führt, dass das außer Kontrolle geratene Elektrowerkzeug am Stockpunkt in die entgegengesetzte Drehrichtung des Zubehörs geschleudert wird. Wenn beispielsweise eine Schleifscheibe vom Werkstück erfasst oder eingeklemmt wird, kann sich die in den Klemmpunkt eindringende Schleifscheibenkante in die Materialoberfläche bohren, so dass sie herauspringt oder zurückschlägt. Je nach der Drehrichtung der Schleifscheibe am Klemmpunkt kann die Schleifscheibe auf die Bedienungsperson zu oder von ihr weg springen. Schleifscheiben können unter solchen Bedingungen auch brechen.

Rückschlag ist das Resultat falscher Handhabung des Elektrowerkzeugs und/oder falscher Arbeitsverfahren oder -bedingungen und kann durch Anwendung der nachstehenden Vorsichtsmaßnahmen vermieden werden.

1. **Halten Sie das Elektrowerkzeug mit festem Griff, und positionieren Sie Ihren Körper und Arm so, dass Sie die Rückschlagkräfte auffangen können. Benutzen Sie stets den Zusatzgriff, wenn vorhanden, um maximale Kontrolle über Rückschlag oder Drehbewegungen während des Anlaufs zu haben.** Drehbewegungen oder Rückschlagkräfte können kontrolliert werden, wenn entsprechende Vorkehrungen getroffen werden.
2. **Legen Sie Ihre Hand niemals in die Nähe des rotierenden Zubehöerteils.** Bei einem Rückschlag könnte das Zubehöerteil Ihre Hand verletzen.
3. **Stellen Sie sich nicht in den Bereich, in den das Elektrowerkzeug bei Auftreten eines Rückschlags geschleudert wird.** Der Rückschlag schleudert das Werkzeug am Stockpunkt in die entgegengesetzte Drehrichtung der Schleifscheibe.
4. **Lassen Sie beim Bearbeiten von Ecken und scharfen Kanten usw. besondere Vorsicht walten. Achten Sie darauf, dass das Zubehöerteil nicht springt oder hängen bleibt.** Ecken, scharfe Kanten oder Anstoßen führen leicht zu Hängenbleiben des rotierenden Zubehöerteils und verursachen Verlust der Kontrolle oder Rückschlag.
5. **Montieren Sie keine Sägeketten, Holzfräsen oder gezahnte Sägeblätter.** Solche Zubehöerteile verursachen häufige Rückschläge und Verlust der Kontrolle.

**Sicherheitswarnungen speziell für Polierbetrieb**

1. **Lassen Sie nicht zu, dass lose Teile der Polierhaube oder ihre Halteschnüre frei rotieren. Lose Halteschnüre sind wegzustecken oder abzuschneiden.** Lose und rotierende Halteschnüre können sich um Ihre Finger wickeln oder sich am Werkstück verfangen.

**Zusätzliche Sicherheitswarnungen**

1. **Lassen Sie das Werkzeug nicht unbeaufsichtigt laufen. Benutzen Sie das Werkzeug nur im handgeführten Einsatz.**
2. **Vergewissern Sie sich, dass das Werkstück sicher abgestützt ist.**
3. **Falls der Arbeitsplatz sehr heiß, feucht oder durch leitfähigen Staub stark verschmutzt ist, verwenden Sie einen Kurzschlusschalter (30 mA) zum Schutz des Bedieners.**
4. **Verwenden Sie dieses Werkzeug nicht zur Bearbeitung von asbesthaltigen Materialien.**

**DIESE ANWEISUNGEN AUFBEWAHREN.**

**⚠️ WARNUNG:** Lassen Sie sich NICHT durch Bequemlichkeit oder Vertrautheit mit dem Produkt (durch wiederholten Gebrauch erworben) von der strikten Einhaltung der Sicherheitsregeln für das vorliegende Produkt abhalten. **MISSBRAUCH** oder Missachtung der Sicherheitsvorschriften in dieser Anleitung können schwere Personenschäden verursachen.

**FUNKTIONSBESCHREIBUNG**

**⚠️ VORSICHT:** Vergewissern Sie sich vor jeder Einstellung oder Funktionsprüfung des Werkzeugs stets, dass es ausgeschaltet und vom Stromnetz getrennt ist.

**Schalterfunktion**

**⚠️ VORSICHT:** Vergewissern Sie sich vor dem Anschließen des Werkzeugs an das Stromnetz stets, dass der Ein-Aus-Schalter ordnungsgemäß funktioniert und beim Loslassen in die AUS-Stellung zurückkehrt.

► **Abb.1:** 1. Ein-Aus-Schalter 2. Arretierknopf

Zum Einschalten des Werkzeugs drücken Sie einfach den Auslöseschalter. Die Drehzahl erhöht sich durch verstärkte Druckausübung auf den Auslöseschalter. Zum Ausschalten lassen Sie den Auslöseschalter los. Für Dauerbetrieb den Auslöseschalter betätigen, den Arretierknopf hineindrücken, und dann den Auslöseschalter loslassen. Zum Ausrasten der Sperre den Auslöseschalter bis zum Anschlag hineindrücken und dann loslassen.

**⚠️ VORSICHT:** Der Schalter kann zur Arbeiterleichterung bei längerem Einsatz in der EIN-Stellung verriegelt werden. Lassen Sie Vorsicht walten, wenn Sie den Schalter in der EIN-Stellung verriegeln, und halten Sie das Werkzeug mit festem Griff.

**⚠️ VORSICHT:** Schließen Sie das Werkzeug nicht bei eingerasteter Ausschaltsperrung ans Stromnetz an. Das Werkzeug wird sonst ungesichert betrieben und kann Personenschäden oder Sachschäden verursachen.

**Drehzahl-Stellrad**

► **Abb.2:** 1. Drehzahl-Stellrad

Die Drehzahl kann durch Drehen des Drehzahl-Stellrads auf eine der Stufen von 1 bis 5 verstellt werden. Durch Drehen des Stellrads in Richtung der Stufe 5 wird die Drehzahl erhöht. Durch Drehen des Stellrads in Richtung der Stufe 1 wird die Drehzahl verringert. Die ungefähren Drehzahlen für die einzelnen Stellrad-Positionen sind aus der nachstehenden Tabelle ersichtlich.

Nummer	Umdrehungen pro Minute	Schleiftellerdrehzahl pro Minute im Random-Orbit-Modus mit Zwangsrotation
1	1.600	180
2	2.500	290
3	3.700	430
4	5.300	610
5	6.800	780

**ANMERKUNG:** Wird das Werkzeug über längere Zeitspannen im Dauerbetrieb mit niedriger Drehzahl betrieben, führt das zu einer Überlastung des Motors, die eine Funktionsstörung zur Folge haben kann.

**ANMERKUNG:** Das Drehzahl-Stellrad lässt sich nur bis 5 und zurück auf 1 drehen. Wird es gewaltsam über 5 oder 1 hinaus gedreht, kann die Drehzahleinstellfunktion unbrauchbar werden.

## Elektronikfunktionen

Die mit Elektronikfunktionen ausgestatteten Werkzeuge weisen die folgenden Merkmale zur Bedienungserleichterung auf.

### Konstantdrehzahlregelung

Feines Finish wird ermöglicht, weil die Drehzahl selbst unter Belastung konstant gehalten wird.

### Soft-Start-Funktion

Diese Funktion gewährleistet ruckfreies Anlaufen durch Anlaufstoßunterdrückung.

## Wahl der Betriebsart

Drehen Sie den Betriebsartenknopf, um den Rotationsmodus zu wechseln.

► **Abb.3:** 1. Betriebsartenknopf

**ANMERKUNG:** Drehen Sie den Knopf immer bis zum Anschlag. Befindet sich der Knopf in einer Zwischenstellung, kann das Werkzeug nicht eingeschaltet werden.

**ANMERKUNG:** Die Betriebsart kann nicht bei eingeschaltetem Werkzeug gewechselt werden.

### Random-Orbit-Modus mit Zwangsrotation

► **Abb.4**

Im Random-Orbit-Modus mit Zwangsrotation führt das Werkzeug eine Umlaufbewegung mit Zwangsrotation des Schleiftellers für grobes Polieren, z. B. zur Oberflächenbehandlung, aus.

Drehen Sie den Betriebsartenknopf entgegen dem Uhrzeigersinn, um den Random-Orbit-Modus mit Zwangsrotation zu wählen.

### Random-Orbit-Modus

► **Abb.5**

Im Random-Orbit-Modus führt das Werkzeug eine Umlaufbewegung mit freier Rotation des Schleiftellers für Polieren aus.

Drehen Sie den Betriebsartenknopf im Uhrzeigersinn, um den Random-Orbit-Modus zu wählen.

## MONTAGE

**⚠ VORSICHT:** Vergewissern Sie sich vor der Ausführung von Arbeiten am Werkzeug stets, dass es ausgeschaltet und vom Stromnetz getrennt ist.

### Montieren des Stütztellers

► **Abb.6:** 1. Stützteller 2. Inbusschlüssel

Setzen Sie den Stützteller auf die Welle, und ziehen Sie dann die Schraube mit einem Inbusschlüssel im Uhrzeigersinn an.

**⚠ VORSICHT:** Vergewissern Sie sich, dass der Stützteller sicher montiert ist. Lockere Anbringung verursacht eine Unwucht und übermäßige Vibrationen, die zum Verlust der Kontrolle führen können.

### Montieren des Seitengriffs

**Sonderzubehör**

► **Abb.7:** 1. Kappe 2. Seitengriff

Entfernen Sie die Kappe, und schrauben Sie den Seitengriff fest an das Werkzeug an.

Der Seitengriff kann auf beiden Seiten des Werkzeugs montiert werden.

### Anbringen und Abnehmen des Schleiftellers

**Sonderzubehör**

**⚠ VORSICHT:** Verwenden Sie nur Schleifteller mit Klettverschlussystem.

► **Abb.8:** 1. Schleifteller

Um den Schleifteller zu montieren, reinigen Sie zuerst das Klettverschlussystem des Schleiftellers und des Stütztellers von sämtlichem Schmutz und Fremdkörpern. Bringen Sie den Schleifteller so am Stützteller an, dass ihre Kanten bündig sind.

Um den Schleifteller vom Stützteller abzunehmen, ziehen Sie ihn einfach am Rand hoch.

**⚠ VORSICHT:** Vergewissern Sie sich, dass Schleifteller und Stützteller bündig und sicher befestigt sind. Anderenfalls verursacht der Schleifteller übermäßige Vibrationen, die zum Verlust der Kontrolle führen oder den Schleifteller vom Werkzeug wegschleudern können.

## BETRIEB

**⚠ VORSICHT:** Verwenden Sie nur Original-Makita-Schleifteller zum Polieren.

**⚠ VORSICHT:** Vergewissern Sie sich, dass das Arbeitsmaterial gesichert und stabil ist. Herunterfallende Objekte können Personenschäden verursachen.

**⚠ VORSICHT:** Halten Sie das Werkzeug während der Arbeit mit der einen Hand am Schaltergriff und mit der anderen Hand am Frontgriff (oder Seitengriff) fest.

**⚠ VORSICHT:** Betreiben Sie das Werkzeug nicht mit hoher Last über längere Zeitspannen. Dies kann zu einer Funktionsstörung des Werkzeugs führen, die einen elektrischen Schlag, einen Brand und/oder schwere Verletzungen verursachen kann.

**⚠ VORSICHT:** Achten Sie darauf, keine rotierenden Teile zu berühren.

**ANMERKUNG:** Unterlassen Sie jegliche Gewaltanwendung. Übermäßiger Druck kann zu verminderter Polierleistung, Beschädigung des Schleiftellers oder Verkürzung der Lebensdauer des Werkzeugs führen.

**ANMERKUNG:** Durch fortgesetzten Betrieb mit hoher Drehzahl kann die Bearbeitungsfläche beschädigt werden.

## Polierbetrieb

### ► Abb.9

1. Oberflächenbehandlung (Random-Orbit-Modus mit Zwangsrotation)

Verwenden Sie ein Wollpad für grobe Bearbeitung, und dann ein Schaumstoffpad für feine Bearbeitung.

2. Auftragen von Wachs (Random-Orbit-Modus)

Verwenden Sie ein Schaumstoffpad. Tragen Sie Wachs auf das Schaumstoffpad oder die Bearbeitungsfläche auf. Betreiben Sie das Werkzeug mit niedriger Drehzahl, um das Wachs zu verteilen.

**⚠ VORSICHT:** Tragen Sie nicht zu viel Wachs oder Poliermittel auf. Dies erzeugt mehr Staub und kann eine Reizung der Augen oder Atemwege verursachen.

**HINWEIS:** Führen Sie zuerst Probewachsen auf einem unauffälligen Teil der Bearbeitungsfläche durch. Vergewissern Sie sich, dass das Werkzeug die Oberfläche nicht verkratzt oder ungleichmäßiges Wachsen verursacht.

3. Entfernen von Wachs (Random-Orbit-Modus)

Verwenden Sie ein anderes Schaumstoffpad. Betreiben Sie das Werkzeug, um das Wachs zu entfernen.

4. Polieren (Random-Orbit-Modus)

Setzen Sie eine Filzscheibe sachte auf die Bearbeitungsfläche auf.

## WARTUNG

**⚠ VORSICHT:** Vergewissern Sie sich vor der Durchführung von Überprüfungen oder Wartungsarbeiten des Werkzeugs stets, dass es ausgeschaltet und vom Stromnetz getrennt ist.

**ANMERKUNG:** Verwenden Sie auf keinen Fall Benzin, Waschbenzin, Verdünner, Alkohol oder dergleichen. Solche Mittel können Verfärbung, Verformung oder Rissbildung verursachen.

## Reinigen von Staubfängern

### ► Abb.10: 1. Staubfänger

Reinigen Sie die Staubfänger an den Ansaugöffnungen regelmäßig, um reibungslose Luftzirkulation zu gewährleisten. Entfernen Sie die Staubfänger, und reinigen Sie das Netz.

Um die SICHERHEIT und ZUVERLÄSSIGKEIT dieses Produkts aufrechtzuerhalten, sollten Reparaturen, Überprüfung und Austausch der Kohlebürsten und andere Wartungs- oder Einstellarbeiten nur von Makita-Vertragswerkstätten oder Makita-Kundendienstzentren unter ausschließlicher Verwendung von Makita-Originalersatzteilen ausgeführt werden.

## SONDERZUBEHÖR

**⚠ VORSICHT:** Die folgenden Zubehörteile oder Vorrichtungen werden für den Einsatz mit dem in dieser Anleitung beschriebenen Makita-Werkzeug empfohlen. Die Verwendung anderer Zubehörteile oder Vorrichtungen kann eine Verletzungsgefahr darstellen. Verwenden Sie Zubehörteile oder Vorrichtungen nur für ihren vorgesehenen Zweck.

Wenn Sie weitere Einzelheiten bezüglich dieser Zubehörteile benötigen, wenden Sie sich bitte an Ihre Makita-Kundendienststelle.

- Seitengriff
- Stützteller
- Wollpad
- Schaumstoffpad
- Filzscheibe

**HINWEIS:** Manche Teile in der Liste können als Standardzubehör im Werkzeugsatz enthalten sein. Sie können von Land zu Land unterschiedlich sein.



## DATI TECNICI

Modello:	PO5000C	PO6000C
Diametro tampone	125 mm	150 mm
Orbite (giri) al minuto	0 - 6.800 min <sup>-1</sup>	
Lunghezza complessiva	451 mm	
Peso netto	2,8 kg	
Classe di sicurezza	□/II	

- In conseguenza del nostro programma di ricerca e sviluppo continui, i dati tecnici nel presente manuale sono soggetti a modifiche senza preavviso.
- I dati tecnici possono variare da nazione a nazione.
- Peso in conformità alla procedura EPTA 01/2003

### Utilizzo previsto

Questo utensile è destinato alla lucidatura.

### Alimentazione

L'utensile deve essere collegato a una fonte di alimentazione con la stessa tensione indicata sulla targhetta del nome, e può funzionare solo a corrente alternata monofase. L'utensile è dotato di doppio isolamento, per cui può essere utilizzato con prese elettriche sprovviste di messa a terra.

### Rumore

Livello tipico di rumore pesato A determinato in base allo standard 60745-2-4:

#### Modello PO5000C

Livello di pressione sonora ( $L_{pA}$ ): 81 dB (A)

Livello di potenza sonora ( $L_{WA}$ ): 92 dB (A)

Incertezza (K): 3 dB (A)

#### Modello PO6000C

Livello di pressione sonora ( $L_{pA}$ ): 83 dB (A)

Livello di potenza sonora ( $L_{WA}$ ): 94 dB (A)

Incertezza (K): 3 dB (A)

**AVVERTIMENTO:** Indossare protezioni per le orecchie.

### Vibrazioni

Valore totale delle vibrazioni (somma vettoriale triassiale) determinato in base allo standard 60745-2-4:

#### Modello PO5000C

Modalità di lavoro: lucidatura

Emissione di vibrazioni ( $a_{h,AP}$ ): 6,5 m/s<sup>2</sup>

Incertezza (K): 1,5 m/s<sup>2</sup>

#### Modello PO6000C

Modalità di lavoro: lucidatura

Emissione di vibrazioni ( $a_{h,AP}$ ): 7,0 m/s<sup>2</sup>

Incertezza (K): 1,5 m/s<sup>2</sup>

**NOTA:** Il valore di emissione delle vibrazioni dichiarato è stato misurato in conformità al metodo standard di verifica, e può essere utilizzato per confrontare un utensile con un altro.

**NOTA:** Il valore di emissione delle vibrazioni dichiarato può venire utilizzato anche per una valutazione preliminare dell'esposizione.

**AVVERTIMENTO:** L'emissione delle vibrazioni durante l'utilizzo effettivo dell'utensile elettrico può variare rispetto al valore di emissione dichiarato, a seconda dei modi in cui viene utilizzato l'utensile.

**AVVERTIMENTO:** Accertarsi di identificare le misure di sicurezza per la protezione dell'operatore basate sulla stima dell'esposizione nelle condizioni effettive di utilizzo (tenendo presente tutte le parti del ciclo operativo, ad esempio le volte in cui l'utensile viene spento e quando gira a vuoto, oltre al tempo di attivazione).

### Dichiarazione di conformità CE

*Solo per i paesi europei*

La dichiarazione di conformità CE è inclusa nell'Allegato A al presente manuale di istruzioni.

## AVVERTENZE DI SICUREZZA

### Avvertenze generali relative alla sicurezza dell'utensile elettrico

**AVVERTIMENTO:** Leggere tutte le avvertenze relative alla sicurezza e tutte le istruzioni. La mancata osservanza delle avvertenze e delle istruzioni può risultare in scosse elettriche, incendi e/o gravi lesioni personali.



## Conservare tutte le avvertenze e le istruzioni come riferimento futuro.

Il termine "utensile elettrico" nelle avvertenze si riferisce sia all'utensile elettrico (cablato) nel funzionamento alimentato da rete elettrica che all'utensile elettrico (a batteria) nel funzionamento alimentato a batteria.

### Avvertenze di sicurezza relative alla lucidatrice

- 1. Il presente utensile elettrico è destinato alla funzione di lucidatrice. Leggere tutte le avvertenze di sicurezza, le istruzioni, le figure e i dati tecnici forniti insieme al presente utensile elettrico.** La mancata osservanza di tutte le istruzioni elencate di seguito potrebbe risultare in scosse elettriche, incendi e/o gravi lesioni personali.
- 2. Con il presente utensile elettrico non è consigliata l'esecuzione di operazioni quali la smerigliatura, la spazzolatura metallica o la tronca-tura.** Le operazioni per le quali l'utensile elettrico non è progettato potrebbero creare un pericolo e causare lesioni personali.
- 3. Non utilizzare accessori che non siano stati designati e consigliati appositamente dal produttore dell'utensile.** La semplice possibilità di montare un accessorio sull'utensile elettrico utilizzato non ne garantisce un funzionamento sicuro.
- 4. La velocità nominale dell'accessorio deve essere almeno pari alla velocità massima indicata sull'utensile elettrico.** Gli accessori che girano più velocemente della loro velocità nominale possono spaccarsi, e i frammenti possono venire scagliati via.
- 5. Il diametro esterno e lo spessore dell'accessorio utilizzato devono rientrare nella capacità nominale dell'utensile elettrico utilizzato.** Non è possibile proteggere o controllare in modo appropriato accessori di dimensioni errate.
- 6. L'attacco filettato degli accessori deve combaciare con la filettatura del mandrino. Per gli accessori montati mediante flange, il foro per l'albero dell'accessorio deve essere adatto al diametro di posizionamento della flangia.** Gli accessori che non combaciano con gli attacchi di montaggio dell'utensile elettrico girano sbilanciati, vibrano eccessivamente e potrebbero causare la perdita di controllo.
- 7. Non utilizzare accessori danneggiati. Prima di ciascun utilizzo, ispezionare l'accessorio, ad esempio il platorello di sostegno, alla ricerca di eventuali spaccature, lacerazioni o usura eccessiva. Qualora si faccia cadere l'utensile elettrico o l'accessorio, ispezionarlo alla ricerca di eventuali danni o installare un accessorio non danneggiato. Dopo aver ispezionato e installato un accessorio, posizionare se stessi e gli astanti lontano dal piano dell'accessorio in rotazione e far girare l'utensile elettrico alla massima velocità a vuoto per un minuto.** Gli accessori danneggiati in genere si frantumano durante questo periodo di prova.
- 8. Indossare un'attrezzatura di protezione personale. A seconda dell'applicazione, utilizzare una visiera, occhiali oppure occhiali di sicurezza. A seconda delle esigenze, indossare una mascherina antipolvere, protezioni per l'udito, guanti e un grembiule da officina in grado di arrestare piccoli frammenti abrasivi o dei pezzi in lavorazione.** La protezione per gli occhi deve essere in grado di arrestare detriti volanti generati da svariate operazioni. La mascherina antipolvere o il respiratore devono essere in grado di filtrare le particelle generate dall'operazione in corso. L'esposizione prolungata al rumore ad alta intensità potrebbe causare la perdita dell'udito.
- 9. Tenere gli astanti a distanza di sicurezza dall'area di lavoro. Chiunque entri nell'area di lavoro deve indossare l'attrezzatura di protezione personale.** I frammenti del pezzo in lavorazione o di un accessorio rotto potrebbero venire scagliati via e causare lesioni personali a una distanza superiore alle immediate vicinanze dell'operazione in corso.
- 10. Posizionare il cavo di alimentazione a distanza dall'accessorio in rotazione.** Qualora si perda il controllo dell'utensile, il cavo di alimentazione potrebbe venire tagliato o restare impigliato, e la mano o il braccio dell'operatore potrebbero venire tirati nell'accessorio in rotazione.
- 11. Non appoggiare mai l'utensile elettrico fino all'arresto completo dell'accessorio.** L'accessorio in rotazione potrebbe far presa sulla superficie di appoggio e tirare l'utensile elettrico facendone perdere il controllo all'operatore.
- 12. Non far funzionare l'utensile elettrico mentre lo si trasporta sul proprio fianco.** Un contatto accidentale con l'accessorio in rotazione potrebbe fare impigliare gli indumenti, attirando l'accessorio contro il corpo dell'operatore.
- 13. Pulire regolarmente le aperture di ventilazione dell'utensile elettrico.** La ventola del motore attira le polveri all'interno dell'alloggiamento, e l'accumulazione eccessiva di polvere metallica potrebbe causare pericoli di natura elettrica.
- 14. Non far funzionare l'utensile elettrico in prossimità di materiali infiammabili.** Le scintille potrebbero dare fuoco a tali materiali.
- 15. Non utilizzare accessori che richiedano refrigeranti liquidi.** L'impiego di acqua o di altri refrigeranti liquidi potrebbe causare la folgorazione o scosse elettriche.

### Contraccolpo e relative avvertenze

Il contraccolpo è una reazione improvvisa a un disco in rotazione, un platorello di sostegno, una spazzola o qualsiasi altro accessorio che resti incastrato o impigliato. Un accessorio in rotazione che resti incastrato o impigliato subisce un rapido stallo che, a sua volta, spinge l'utensile elettrico fuori controllo nella direzione opposta alla rotazione dell'accessorio nel punto di inceppamento. Ad esempio, qualora una mola abrasiva resti incastrata o impigliata nel pezzo in lavorazione, il filo del disco che entra nel punto di inceppamento potrebbe scavare nella superficie del materiale, causando la fuoriuscita o il contraccolpo del disco verso l'esterno. Il disco potrebbe saltare verso l'operatore o lontano da quest'ultimo, a seconda della direzione del movimento del disco nel punto in cui si è incastrato. In queste condizioni, le mole abrasive potrebbero anche rompersi.

Il contraccolpo è il risultato dell'uso improprio dell'utensile elettrico e/o di procedure o condizioni operative errate, e può essere evitato adottando le precauzioni appropriate indicate di seguito.

1. **Mantenere una salda presa sull'utensile elettrico e posizionare il corpo e il braccio in modo da poter resistere alle forze dei contraccolpi. Per il massimo controllo dei contraccolpi o di reazioni di coppia durante l'avvio, utilizzare sempre il manico ausiliario, se in dotazione.** L'operatore può controllare le reazioni di coppia o le forze dei contraccolpi, se adotta le precauzioni appropriate.
2. **Non posizionare mai le mani in prossimità dell'accessorio in rotazione.** L'accessorio potrebbe saltare all'indietro sulla mano per un contraccolpo.
3. **Non posizionare il corpo nell'area in cui l'utensile elettrico si sposterebbe qualora si verificasse un contraccolpo.** Il contraccolpo lancia l'utensile nella direzione opposta al movimento del disco sul punto in cui si è impigliato.
4. **Fare particolarmente attenzione quando si intende lavorare su angoli, bordi acuti, e così via. Evitare che l'accessorio rimbalzi o resti impigliato.** Gli angoli, i bordi acuti o i rimbalzi tendono a far impigliare l'accessorio in rotazione e a causare la perdita di controllo o il contraccolpo.
5. **Non montare catene per seghe, lame da intaglio per legno o lame dentate.** Queste lame causano frequenti contraccolpi e perdite di controllo.

#### Avvertenze di sicurezza specifiche per le operazioni di lucidatura

1. **Evitare che una qualsiasi parte allentata della cuffia di lucidatura o dei relativi lacci di fissaggio girino liberamente. Ripiegare all'interno o rifilare eventuali lacci di fissaggio allentati.** Lacci di fissaggio allentati e in rotazione possono aggrovigliarsi intorno alle dita o impigliarsi sul pezzo in lavorazione.

#### Avvertenze di sicurezza aggiuntive

1. **Non lasciare l'utensile mentre è in funzione. Far funzionare l'utensile solo mentre viene tenuto in mano.**
2. **Verificare che il pezzo in lavorazione sia supportato in modo appropriato.**
3. **Qualora il luogo di lavoro presenti una temperatura e un'umidità estremamente elevate, o sia notevolmente inquinato da polvere conduttiva, utilizzare un interruttore automatico (da 30 mA) per garantire la sicurezza dell'operatore.**
4. **Non utilizzare l'utensile su alcun materiale contenente amianto.**

## CONSERVARE LE PRESENTI ISTRUZIONI.

**AVVERTIMENTO:** NON lasciare che comodità o la familiarità d'utilizzo con il prodotto (acquisita con l'uso ripetuto) sostituisca la stretta osservanza delle norme di sicurezza per il prodotto in questione. L'USO IMPROPRIO o la mancata osservanza delle norme di sicurezza indicate nel presente manuale di istruzioni potrebbero causare gravi lesioni personali.

## DESCRIZIONE DELLE FUNZIONI

**ATTENZIONE:** Accertarsi sempre che l'utensile sia spento e scollegato dall'alimentazione prima di regolare o controllare le sue funzioni.

### Funzionamento dell'interruttore

**ATTENZIONE:** Prima di collegare l'utensile all'alimentazione elettrica, controllare sempre che l'interruttore a grilletto funzioni correttamente e che torni sulla posizione "OFF" quando viene rilasciato.

► Fig.1: 1. Interruttore a grilletto 2. Pulsante di blocco

Per avviare l'utensile, è sufficiente premere l'interruttore a grilletto. La velocità di rotazione aumenta di pari passo con la pressione sul grilletto. Per arrestare l'utensile, rilasciare l'interruttore a grilletto. Per il funzionamento continuo, premere l'interruttore a grilletto, premere il pulsante di blocco per farlo rientrare, quindi rilasciare l'interruttore a grilletto. Per arrestare l'utensile dalla posizione bloccata, premere fino in fondo il grilletto, quindi rilasciarlo.

**ATTENZIONE:** L'interruttore può essere bloccato sulla posizione "ON" per comodità dell'operatore durante l'uso prolungato. Fare attenzione quando si blocca l'utensile sulla posizione "ON", e mantenere una presa salda sull'utensile.

**ATTENZIONE:** Non collegare l'utensile all'alimentazione elettrica con l'interruttore bloccabile in condizione di accensione attivato. In caso contrario, l'utensile funzionerebbe senza un sostegno, e potrebbe causare lesioni personali o rompersi.

### Selettore di regolazione della velocità

► Fig.2: 1. Selettore di regolazione della velocità

È possibile modificare la velocità di rotazione ruotando il selettore di regolazione della velocità su un'impostazione numerica specifica da 1 a 5. Si ottiene una maggiore velocità ruotando il selettore in direzione del numero 5. Si ottiene, invece, una minore velocità ruotando il selettore in direzione del numero 1. Per il rapporto tra le impostazioni numeriche sul selettore e la velocità di rotazione approssimativa, fare riferimento alla tabella.

Numero	Orbite (giri) al minuto	Velocità di rotazione al minuto del tampone in modalità orbitale casuale con rotazione forzata
1	1.600	180
2	2.500	290
3	3.700	430
4	5.300	610
5	6.800	780

**AVVISO:** Qualora l'utensile venga fatto funzionare in maniera continuativa a basse velocità per un periodo di tempo prolungato, il motore si sovraccarica, causando il malfunzionamento dell'utensile.

**AVVISO:** È possibile ruotare il selettore di regolazione della velocità solo fino a 5 e indietro fino a 1. Non forzare il selettore oltre il numero 5 o il numero 1; in caso contrario, la funzione di regolazione della velocità potrebbe non essere più utilizzabile.

## Funzione elettronica

Gli utensili dotati di funzione elettronica sono di semplice utilizzo, grazie alle funzionalità seguenti.

### Controllo costante della velocità

Possibilità di ottenere una finitura precisa, poiché la velocità di rotazione viene mantenuta costante anche in condizione di carico.

### Funzione di avvio morbido

Avvio morbido, grazie alla soppressione dell'impatto di avvio.

## Selezione della modalità operativa

Ruotare la manopola di variazione per cambiare la modalità di rotazione.

► **Fig.3:** 1. Manopola di variazione

**AVVISO:** Ruotare sempre completamente la manopola. Qualora la manopola si trovi in posizione centrale, non è possibile avviare l'utensile.

**AVVISO:** Non è possibile modificare la modalità operativa quando l'utensile è acceso.

### Modalità orbitale casuale con rotazione forzata

► **Fig.4**

La modalità orbitale casuale con rotazione forzata consiste nel funzionamento orbitale con rotazione forzata del tampone per la lucidatura grossolana, ad esempio il trattamento delle superfici.

Ruotare la manopola di variazione in senso antiorario per la modalità orbitale casuale con rotazione forzata.

### Modalità orbitale casuale

► **Fig.5**

La modalità orbitale casuale consiste nel funzionamento orbitale con rotazione libera del tampone, per la lucidatura fine.

Ruotare la manopola di variazione in senso orario per la modalità orbitale casuale.

## MONTAGGIO

**ATTENZIONE:** Accertarsi sempre che l'utensile sia spento e scollegato dall'alimentazione elettrica, prima di effettuare qualsiasi intervento su di esso.

### Installazione del platorello di sostegno

► **Fig.6:** 1. Platorello di sostegno 2. Brugola

Collocare il platorello di sostegno sull'albero, quindi ruotare il bullone in senso orario con una brugola.

**ATTENZIONE:** Accertarsi che il platorello di sostegno sia fissato saldamente. Un montaggio allentato causa il funzionamento sbilanciato e una vibrazione eccessiva, che potrebbero a loro volta causare la perdita di controllo.

### Installazione dell'impugnatura laterale

**Accessorio opzionale**

► **Fig.7:** 1. Tappo 2. Impugnatura laterale

Rimuovere il tappo e avvitare saldamente l'impugnatura laterale sull'utensile.

È possibile installare l'impugnatura laterale da entrambi i lati dell'utensile.

### Installazione o rimozione del tampone

**Accessorio opzionale**

**ATTENZIONE:** Utilizzare esclusivamente tamponi con sistema di adesione a contatto per la lucidatura.

► **Fig.8:** 1. Tampone

Per installare il tampone, rimuovere innanzitutto qualsiasi traccia di sporco e corpi estranei dal sistema con adesione a contatto del tampone e dal platorello di sostegno. Fissare il tampone sul platorello di sostegno, in modo che i loro bordi siano allineati.

Per rimuovere il tampone dal platorello di sostegno, tirarlo semplicemente verso l'alto dal suo bordo.

**ATTENZIONE:** Accertarsi che il tampone e il platorello di sostegno siano allineati e fissati saldamente. In caso contrario, il tampone causa una vibrazione eccessiva che a sua volta potrebbe causare la perdita di controllo, oppure il tampone potrebbe venire scagliato via dall'utensile.

## FUNZIONAMENTO

**⚠ATTENZIONE:** Utilizzare esclusivamente tamponi originali Makita per la lucidatura.

**⚠ATTENZIONE:** Accertarsi che il materiale in lavorazione sia fissato saldamente e sia stabile. La caduta di oggetti potrebbe causare lesioni personali.

**⚠ATTENZIONE:** Mantenere saldamente l'utensile con una mano sulla maniglia con l'interruttore e l'altra mano sull'impugnatura anteriore (o sulla maniglia laterale) quando si utilizza l'utensile.

**⚠ATTENZIONE:** Non far funzionare l'utensile con un carico elevato per un periodo di tempo prolungato. In caso contrario, si potrebbe causare un malfunzionamento dell'utensile, che potrebbe risultare in scosse elettriche, incendi e/o gravi lesioni personali.

**⚠ATTENZIONE:** Fare attenzione a non toccare la parte in rotazione.

**AVVISO:** Non forzare mai l'utensile. Una pressione eccessiva potrebbe causare una minore efficienza di lucidatura, danneggiare il tampone o ridurre la vita utile dell'utensile.

**AVVISO:** Il funzionamento continuo ad alta velocità potrebbe danneggiare la superficie in lavorazione.

## Operazione di lucidatura

### ► Fig.9

1. Trattamento delle superfici (modalità orbitale casuale con rotazione forzata)

Utilizzare un tampone in lana per la lucidatura grossolana, quindi utilizzare un tampone in spugna per la lucidatura fine.

2. Applicazione della cera (modalità orbitale casuale)

Utilizzare un tampone in spugna. Stendere la cera sul tampone in spugna o sulla superficie in lavorazione. Far funzionare l'utensile a bassa velocità per distribuire uniformemente la cera.

**⚠ATTENZIONE:** Non applicare cera o sostanze di lucidatura in quantità eccessiva. In caso contrario si genera una maggior quantità di polveri, e si potrebbero causare malattie oculari o respiratorie.

**NOTA:** Innanzitutto, applicare la cera come prova su una parte poco visibile della superficie in lavorazione. Accertarsi prima che l'utensile non graffi la superficie e non applichi la cera in modo disomogeneo.

3. Rimozione della cera (modalità orbitale casuale)

Utilizzare un altro tampone in spugna. Far funzionare l'utensile per rimuovere la cera.

4. Lucidatura (modalità orbitale casuale)

Applicare delicatamente un tampone in feltro sulla superficie in lavorazione.

## MANUTENZIONE

**⚠ATTENZIONE:** Accertarsi sempre che l'utensile sia spento e scollegato dall'alimentazione elettrica, prima di tentare di eseguire interventi di ispezione o manutenzione.

**AVVISO:** Non utilizzare mai benzina, benzene, solventi, alcol o altre sostanze simili. In caso contrario, si potrebbero causare scolorimenti, deformazioni o crepe.

## Pulizia delle protezioni antipolvere

### ► Fig.10: 1. Protezione antipolvere

Pulire a intervalli regolari le protezioni antipolvere sulle aperture di aspirazione, per consentire una circolazione omogenea dell'aria. Rimuovere le protezioni antipolvere e pulire la griglia.

Per preservare la SICUREZZA e l'AFFIDABILITÀ del prodotto, le riparazioni, l'ispezione e la sostituzione delle spazzole in carbonio e qualsiasi altro intervento di manutenzione o di regolazione devono essere eseguiti da un centro di assistenza autorizzato Makita, utilizzando sempre ricambi Makita.

## ACCESSORI OPZIONALI

**⚠ATTENZIONE:** Questi accessori o componenti aggiuntivi sono consigliati per l'uso con l'utensile Makita specificato nel presente manuale. L'impiego di altri accessori o componenti aggiuntivi può costituire un rischio di lesioni alle persone. Utilizzare gli accessori o i componenti aggiuntivi solo per il loro scopo prefissato.

Per ottenere ulteriori dettagli relativamente a questi accessori, rivolgersi a un centro di assistenza Makita.

- Impugnatura laterale
- Platorello di sostegno
- Tampone in lana
- Tampone in spugna
- Tampone in feltro

**NOTA:** Alcuni articoli nell'elenco potrebbero essere inclusi nell'imballaggio dell'utensile come accessori standard. Tali articoli potrebbero variare da nazione a nazione.



## TECHNISCHE GEGEVENS

Model:	PO5000C	PO6000C
Diameter steunschijf	125 mm	150 mm
Omwentelingen per minuut	0 - 6.800 min <sup>-1</sup>	
Totale lengte	451 mm	
Nettogewicht	2,8 kg	
Veiligheidsklasse	□/II	

- In verband met ononderbroken research en ontwikkeling behouden wij ons het recht voor bovenstaande technische gegevens te wijzigen zonder voorafgaande kennisgeving.
- De technische gegevens kunnen van land tot land verschillen.
- Gewicht volgens de EPTA-procedure 01/2003

### Gebruiksdoeleinden

Het gereedschap is bedoeld voor polijsten.

### Voeding

Het gereedschap mag alleen worden aangesloten op een voeding van dezelfde spanning als aangegeven op het typeplaatje, en kan alleen worden gebruikt op enkelfase-wisselstroom. Het gereedschap is dubbel-geïsoleerd en kan derhalve ook op een niet-geaard stop-contact worden aangesloten.

### Geluidsniveau

De typische, A-gewogen geluidsniveaus zijn gemeten volgens 60745-2-4:

#### Model PO5000C

Geluidsdrukniveau ( $L_{pA}$ ): 81 dB (A)  
 Geluidsvermogenniveau ( $L_{WA}$ ): 92 dB (A)  
 Onzekerheid (K): 3 dB (A)

#### Model PO6000C

Geluidsdrukniveau ( $L_{pA}$ ): 83 dB (A)  
 Geluidsvermogenniveau ( $L_{WA}$ ): 94 dB (A)  
 Onzekerheid (K): 3 dB (A)

**WAARSCHUWING:** Draag gehoorbescherming.

### Trilling

De totale trillingswaarde (triaxiale vectorsom) zoals vastgesteld volgens 60745-2-4:

#### Model PO5000C

Gebruikstoepassing: polijsten  
 Trillingsemismissie ( $a_{h,AP}$ ): 6,5 m/s<sup>2</sup>  
 Onzekerheid (K): 1,5 m/s<sup>2</sup>

#### Model PO6000C

Gebruikstoepassing: polijsten  
 Trillingsemismissie ( $a_{h,AP}$ ): 7,0 m/s<sup>2</sup>  
 Onzekerheid (K): 1,5 m/s<sup>2</sup>

**OPMERKING:** De opgegeven trillingsemismissiewaarde is gemeten volgens de standaardtestmethode en kan worden gebruikt om dit gereedschap te vergelijken met andere gereedschappen.

**OPMERKING:** De opgegeven trillingsemismissiewaarde kan ook worden gebruikt voor een beoordeling vooraf van de blootstelling.

**WAARSCHUWING:** De trillingsemismissie tijdens het gebruik van het elektrisch gereedschap in de praktijk kan verschillen van de opgegeven trillingsemismissiewaarde afhankelijk van de manier waarop het gereedschap wordt gebruikt.

**WAARSCHUWING:** Zorg ervoor dat veiligheidsmaatregelen worden getroffen ter bescherming van de operator die zijn gebaseerd op een schatting van de blootstelling onder praktijkomstandigheden (rekening houdend met alle fasen van de bedrijfscyclus, zoals de tijdsduur gedurende welke het gereedschap is uitgeschakeld en stationair draait, naast de ingeschakelde tijdsduur).

### EG-verklaring van conformiteit

#### Alleen voor Europese landen

De EG-verklaring van conformiteit is bijgevoegd als Bijlage A bij deze gebruiksaanwijzing.

## VEILIGHEIDSWAARSCHUWINGEN

### Algemene veiligheids waarschuwingen voor elektrisch gereedschap

**WAARSCHUWING:** Lees alle veiligheids waarschuwingen en alle instructies. Het niet volgen van de waarschuwingen en instructies kan leiden tot elektrische schokken, brand en/of ernstig letsel.



# Bewaar alle waarschuwingen en instructies om in de toekomst te kunnen raadplegen.

De term "elektrisch gereedschap" in de veiligheidsvoorschriften duidt op gereedschappen die op stroom van het lichtnet werken (met snoer) of gereedschappen met een accu (snoerloos).

## Veiligheidswaarschuwingen voor polijstmachines

- Dit elektrisch gereedschap is bedoeld voor gebruik als een polijstmachine. Lees alle veiligheidswaarschuwingen, instructies, afbeeldingen en technische gegevens die bij dit elektrisch gereedschap worden geleverd.** Als u niet alle onderstaande aanwijzingen naleeft, kan dat resulteren in brand, elektrische schokken en/of ernstig letsel.
- Wij adviseren u werkzaamheden zoals slijpen, draadborstelen of doorslijpen niet uit te voeren met dit elektrisch gereedschap.** Werkzaamheden waarvoor dit elektrisch gereedschap niet is bedoeld kunnen gevaarlijke situaties opleveren en tot persoonlijk letsel leiden.
- Gebruik geen accessoires die niet specifiek zijn ontworpen en aanbevolen door de fabrikant van het gereedschap.** Ook wanneer het accessoire kan worden aangebracht op uw elektrisch gereedschap, is een veilige werking niet gegarandeerd.
- Het nominale toerental van het accessoire moet minstens gelijk zijn aan het maximumtoerental vermeld op het elektrisch gereedschap.** Accessoires die met een hoger toerental draaien dan hun nominaal toerental kunnen stuk breken en in het rond vliegen.
- De buitendiameter en de dikte van het accessoire moeten binnen het capaciteitsbereik van het elektrisch gereedschap vallen.** Accessoires met verkeerde afmetingen kunnen niet afdoende worden afgeschermd of beheerst.
- Als accessoires met schroefdraadbevestiging worden aangebracht, moet de schroefdraad overeenkomen met de schroefdraad op de as. Als accessoires met flensbevestiging worden aangebracht, moet het asgat van het accessoire overeenkomen met de diameter van de pasrand op de flens.** Accessoires met een asdiameter die niet past binnen de montagedelen van het elektrisch gereedschap zullen niet in evenwicht draaien, buitensporig trillen en kunnen leiden tot verlies van controle over het gereedschap.
- Gebruik nooit een beschadigd accessoire. Vóór ieder gebruik moeten accessoires, zoals rugschijven, worden geïnspecteerd op barsten, scheuren of buitensporige slijtage. Nadat het elektrisch gereedschap of het accessoire is gevallen, inspecteert u het op schade of monteert u een onbeschadigd accessoire. Na inspectie en montage van een accessoire, zorgt u ervoor dat u en omstanders niet in het rotatievlak van het accessoire staan, en laat u het elektrisch gereedschap draaien op het maximale nullasttoerental gedurende één minuut.** Beschadigde accessoires breken normaal gesproken in stukken gedurende deze testduur.
- Draag persoonlijke-veiligheidsmiddelen. Afhankelijk van de toepassing gebruikt u een spatscherm, een beschermende bril of een veiligheidsbril. Al naar gelang de toepassing draagt u een stofmasker, gehoorbeschermers, handschoenen en een werkschort die in staat zijn kleine stukjes slijpsel of werkstukfragmenten te weerstaan.** De oogbescherming moet in staat zijn rondvliegend afval te stoppen dat ontstaat bij de diverse werkzaamheden. Het stofmasker of ademhalingsapparaat moet in staat zijn deeltjes te filteren die ontstaat bij de werkzaamheden. Langdurige blootstelling aan zeer intens geluid kan leiden tot gehoorbeschadiging.
- Houd omstanders op veilige afstand van het werkgebied. Iedereen die zich binnen het werkgebied begeeft, moet persoonlijke-veiligheidsmiddelen gebruiken.** Fragmenten van het werkstuk of van een uiteengevallen accessoire kunnen rondvliegen en letsel veroorzaken buiten de onmiddellijk werkomgeving.
- Houd het snoer goed uit de buurt van het ronddraaiende accessoire.** Als u de controle over het gereedschap verliest, kan het snoer worden doorgesneden of bekneld raken, en kan uw hand of arm tegen het ronddraaiende accessoire worden getrokken.
- Leg het elektrisch gereedschap nooit neer voordat het accessoire volledig tot stilstand is gekomen.** Het ronddraaiende accessoire kan de ondergrond pakken zodat u de controle over het elektrisch gereedschap verliest.
- Laat het elektrisch gereedschap niet draaien terwijl u het naast u draagt.** Als het ronddraaiende accessoire u per ongeluk raakt, kan het verstrikt raken in uw kleding waardoor het accessoire in uw lichaam wordt getrokken.
- Maak de ventilatieopeningen van het elektrisch gereedschap regelmatig schoon.** De ventilator van de motor zal het stof de behuizing in trekken, en een grote opeenhoping van metaalslijpsel kan leiden tot elektrisch gevaarlijke situaties.
- Gebruik het elektrisch gereedschap niet in de buurt van brandbare materialen.** Vonken kunnen deze materialen doen ontvlammen.
- Gebruik geen accessoires die met vloeistof moeten worden gekoeld.** Het gebruik van water of andere vloeibare koelmiddelen kan leiden tot elektrocutie of elektrische schokken.

### Terugslag en aanverwante waarschuwingen

Terugslag is een plotselinge reactie op een beknelde of vastgelopen draaiende schijf, rugschijf, borstel of enig ander accessoire. Beknellen of vastlopen veroorzaakt een snelle stilstand van het draaiende accessoire dat op zijn beurt ertoe leidt dat het elektrisch gereedschap zich ongecontroleerd beweegt in de tegenovergestelde richting van de draairichting van het accessoire op het moment van vastlopen.

Bijvoorbeeld, als een slijpschijf bekneld raakt of vastloopt in het werkstuk, kan de rand van de schijf die het beknellingspunt ingaat, zich invreten in het oppervlak van het materiaal waardoor de schijf eruit klimt of eruit slaat. De schijf kan daarbij naar de gebruiker toe of weg springen, afhankelijk van de draairichting van de schijf op het beknellingspunt. Slijpschijven kunnen in dergelijke situaties ook breken.

Terugslag is het gevolg van misbruik van het elektrisch gereedschap en/of onjuiste gebruikprocedures of omstandigheden, en kan worden voorkomen door goede voorzorgsmaatregelen te treffen, zoals hieronder vermeld:

1. **Houd het elektrisch gereedschap stevig vast en houd uw armen en lichaam zodanig dat u in staat bent een terugslag op te vangen. Gebruik altijd de extra handgreep (indien aanwezig) voor een maximale controle over het gereedschap in geval van terugslag en de koppelreactiekrachten bij het starten.** De gebruiker kan een terugslag of de koppelreactiekrachten opvangen indien de juiste voorzorgsmaatregelen worden getroffen.
2. **Plaats uw hand nooit in de buurt van het draaiende accessoire.** Het accessoire kan terugslaan over uw hand.
3. **Plaats uw lichaam niet in het gebied waar het elektrisch gereedschap naar toe gaat wanneer een terugslag optreedt.** Een terugslag zal het gereedschap bewegen in de tegenovergestelde richting van de draairichting van de schijf op het moment van beknellen.
4. **Wees bijzonder voorzichtig bij het werken met hoeken, scherpe randen, enz. Voorkom dat het accessoire springt of bekneld raakt.** Hoeken, scherpe randen of springen veroorzaken vaak beknellen van het draaiende accessoire wat leidt tot terugslag of verlies van controle over het gereedschap.
5. **Bevestig geen zaagketting, houtbewerkingsblad of getand zaagblad.** Dergelijke bladen leiden vaak tot terugslag of verlies van controle over het gereedschap.

#### Veiligheidswaarschuwingen specifiek voor polijstwerkzaamheden

1. **Laat geen los deel van de polijstvlacht of het bevestigingstouwje ervan vrij rondslingeren. Stop een los bevestigingstouwje weg of knip het af.** Een los en rondslingerend bevestigingstouwje kan zich rond uw vingers wikkelen of gegrepen worden door het werkstuk.

#### Aanvullende veiligheidswaarschuwingen

1. **Laat het gereedschap niet ingeschakeld achter. Schakel het gereedschap alleen in wanneer u het vasthoudt.**
2. **Controleer dat het werkstuk goed wordt ondersteund.**
3. **Als uw werkplaats bijzonder heet en vochtig is, of erg verontreinigd door elektrisch geleidend stof, gebruikt u een aardlekschakelaar (30 mA) om de veiligheid van de gebruiker te garanderen.**
4. **Gebruik het gereedschap niet op materiaal dat asbest bevat.**

## BEWAAR DEZE INSTRUCTIES.

**⚠️ WAARSCHUWING:** Laat u NIET misleiden door een vals gevoel van comfort en bekendheid met het gereedschap (na veelvuldig gebruik) en neem alle veiligheidsvoorschriften van het betreffende gereedschap altijd strikt in acht. **VERKEERD GEBRUIK** of het niet naleven van de veiligheidsvoorschriften in deze gebruiksaanwijzing kan leiden tot ernstig persoonlijk letsel.

## BESCHRIJVING VAN DE FUNCTIES

**⚠️ LET OP:** Controleer altijd of het gereedschap is uitgeschakeld en de stekker ervan uit het stopcontact is verwijderd alvorens de functies op het gereedschap te controleren of af te stellen.

### De trekkerschakelaar gebruiken

**⚠️ LET OP:** Controleer altijd, voordat u de stekker in het stopcontact steekt, of de trekkerschakelaar op de juiste manier schakelt en weer terugkeert naar de uit-stand nadat deze is losgelaten.

► Fig.1: 1. Trekkerschakelaar 2. Vergrendelknop

Om het gereedschap in te schakelen, knijpt u gewoon de trekkerschakelaar in. De draaisnelheid zal toenemen naar mate u de trekkerschakelaar verder inknijpt. Laat de trekkerschakelaar los om het gereedschap te stoppen. Om het gereedschap continu te laten werken, knijpt u eerst de trekkerschakelaar in, drukt u daarna de vergrendelknop in, en laat u tenslotte de trekkerschakelaar los. Om vanuit de vergrendelde werking het gereedschap te stoppen, knijpt u de trekkerschakelaar helemaal in en laat u deze vervolgens weer los.

**⚠️ LET OP:** De schakelaar kan in de aan-stand vergrendeld worden, hetgeen bij langdurig gebruik comfortabeler werkt. Wees extra voorzichtig wanneer u de schakelaar in de aan-stand vergrendelt en houd het gereedschap altijd stevig vast.

**⚠️ LET OP:** Steek de stekker van het gereedschap niet in het stopcontact terwijl de inschakelvergrendeling is ingedrukt. Het gereedschap zal ongecontroleerd beginnen te werken en kan persoonlijk letsel of schade veroorzaken.

### Toerentalinstelknop

► Fig.2: 1. Toerentalinstelknop

U kunt de draaisnelheid veranderen door de toerentalinstelknop te draaien en in te stellen op een cijfer van 1 tot 5. Het toerental wordt hoger wanneer u de knop in de richting van het cijfer 5 draait. Het toerental wordt lager wanneer u deze in de richting van het cijfer 1 draait.

Zie de onderstaande tabel voor de verhouding tussen de cijfers op de knop en het toerental bij benadering.

Cijfer	Omwentelingen per minuut	Toerental per minuut van steunschijf in de functie excentrisch draaien met actieve aandrijving
1	1.600	180
2	2.500	290
3	3.700	430
4	5.300	610
5	6.800	780

**KENNISGEVING:** Als het gereedschap gedurende een lange tijd continu op een laag toerental wordt gebruikt, wordt de motor overbelast, waardoor het gereedschap defect raakt.

**KENNISGEVING:** De toerentalinstelknop kan slechts tot stand 5 worden gedraaid, en terug naar stand 1. Forceer hem niet tot voorbij stand 5 of stand 1 omdat dan de toerentalinstelfunctie mogelijk niet meer werkt.

## Elektronische functie

Gereedschappen die zijn voorzien van een elektronische werking zijn eenvoudig te bedienen vanwege de volgende functie.

### Constant-toerentalregeling

Maakt een gladde afwerking mogelijk omdat het toerental constant wordt gehouden, zelfs bij belasting.

### Zachte-startfunctie

Maakt een zachte start mogelijk door onderdrukking van de aanloopstroom.

## De werkingsfunctie kiezen

Draai de keuzeknop om de rotatiefunctie te veranderen.  
► **Fig.3:** 1. Keuzeknop

**KENNISGEVING:** Draai de knop altijd helemaal tot in een stand. Als de knop tussen twee standen in staat, kunt u het gereedschap niet inschakelen.

**KENNISGEVING:** U kunt de werkingsfunctie niet veranderen terwijl het gereedschap is ingeschakeld.

## Functie excentrisch draaien met actieve aandrijving

► **Fig.4**

De functie excentrisch draaien met actieve aandrijving zorgt voor ronddraaien met actieve aandrijving van de steunschijf voor grof polijsten, zoals oppervlaktbewerking.

Draai de keuzeknop linksom voor de functie excentrisch draaien met actieve aandrijving.

## Functie excentrisch draaien

► **Fig.5**

De functie excentrisch draaien zorgt voor ronddraaien met vrije aandrijving van de steunschijf voor fijn polijsten.

Draai de keuzeknop rechtsom voor de functie excentrisch draaien.

# MONTAGE

**▲ LET OP:** Zorg altijd dat het gereedschap is uitgeschakeld en dat zijn stekker uit het stopcontact is verwijderd alvorens enig werk aan het gereedschap uit te voeren.

## De rugschijf aanbrengen

► **Fig.6:** 1. Rugschijf 2. Inbussleutel

Plaats de rugschijf op de as en draai de bout rechtsom met een inbussleutel.

**▲ LET OP:** Zorg ervoor dat de rugschijf stevig wordt bevestigd. Een los hulpmiddel zal ongebalanceerd draaien en buitensporige trillingen veroorzaken, waardoor u de controle over het gereedschap kunt verliezen.

## De zijhandgreep monteren

*Optioneel accessoire*

► **Fig.7:** 1. Dop 2. Zijhandgreep

Verwijder de dop en draai de zijhandgreep stevig op het gereedschap.

De zijhandgreep kan aan beide zijanten van het gereedschap worden gemonteerd.

## De steunschijf aanbrengen of verwijderen

*Optioneel accessoire*

**▲ LET OP:** Gebruik uitsluitend steunschijven met klittenbandbevestiging voor polijsten.

► **Fig.8:** 1. Steunschijf

Om de steunschijf aan te brengen, verwijdert u eerst al het vuil en vreemde stoffen vanaf het klittenband van de steunschijf en de rugschijf. Bevestig de steunschijf zodanig op de rugschijf dat hun randen zijn uitgelijnd. Om de steunschijf van de rugschijf af te halen, trekt u deze aan de rand omhoog.

**▲ LET OP:** Zorg ervoor dat de steunschijf en de rugschijf zijn uitgelijnd en stevig zijn bevestigd. Anders zal de steunschijf buitensporig gaan trillen, waardoor u de controle over het gereedschap kunt verliezen of de steunschijf van het gereedschap af geworpen kan worden.

## BEDIENING

**⚠ LET OP:** Gebruik uitsluitend originele steunschijven van Makita voor polijsten.

**⚠ LET OP:** Zorg ervoor dat het werkstuk is vastgezet en stabiel is. Een vallend voorwerp kan persoonlijk letsel veroorzaken.

**⚠ LET OP:** Houd het gereedschap stevig vast met één hand aan de schakelaarhandgreep en de andere hand aan de voorhandgreep (of zijhandgreep) tijdens het gebruik van het gereedschap.

**⚠ LET OP:** Gebruik het gereedschap niet gedurende een lange tijd op hoge belasting. Dit kan leiden tot een storing waardoor brand, elektrische schokken en/of ernstig letsel kan ontstaan.

**⚠ LET OP:** Wees voorzichtig dat u het ronddraaiende deel niet aanraakt.

**KENNISGEVING:** Forceer nooit het gereedschap. Door buitensporige druk kan de efficiëntie van het polijsten lager worden, de steunschijf beschadigd raken, en de levensduur van het gereedschap verkort worden.

**KENNISGEVING:** Continu gebruik op hoog toerental kan het werkstukoppervlak beschadigen.

## Polijsten

► Fig.9

1. Oppervlaktbewerking (functie excentrisch draaien met actieve aandrijving)

Gebruik een wollen polijstschiif voor grove afwerking en daarna een schuimrubber polijstschiif voor fijne afwerking.

2. Was aanbrengen (functie excentrisch draaien)

Gebruik een schuimrubber polijstschiif. Breng was aan op de schuimrubber polijstschiif of op het werkstukoppervlak. Laat het gereedschap op een laag toerental draaien om de was te verspreiden.

**⚠ LET OP:** Breng niet buitensporig veel was of polijstmiddel aan. Hierdoor zal meer stof ontstaan waardoor oog- of luchtwegziekten kunnen worden veroorzaakt.

**OPMERKING:** Voer eerst een test uit door op een onopvallende plaats van het werkstuk was aan te brengen. Verzekert u er van tevoren van dat het gereedschap geen krassen maakt in het oppervlak en dat de was niet ongelijkmatig wordt uitgestreken.

3. Was verwijderen (functie excentrisch draaien)

Gebruik een andere schuimrubber polijstschiif. Laat het gereedschap draaien om de was te verwijderen.

4. Polijsten (functie excentrisch draaien)

Plaats de vilten polijstschiif voorzichtig op het werkstukoppervlak.

## ONDERHOUD

**⚠ LET OP:** Zorg altijd dat het gereedschap is uitgeschakeld en zijn stekker uit het stopcontact is verwijderd alvorens te beginnen met inspectie of onderhoud.

**KENNISGEVING:** Gebruik nooit benzine, wasbenzine, thinner, alcohol en dergelijke. Hierdoor kunnen verkleuring, vervormingen en barsten worden veroorzaakt.

## De stofkappen reinigen

► Fig.10: 1. Stofkap

Reinig de stofkappen van de luchtinlaatopeningen regelmatig voor een goede luchtcirculatie. Verwijder de stofkappen en reinig het gaas.

Om de VEILIGHEID en BETROUWBAARHEID van het gereedschap te handhaven, dienen alle reparaties, inspectie en vervanging van de koolborstels, en alle andere onderhoudswerkzaamheden of afstellingen te worden uitgevoerd bij een erkend Makita-servicecentrum of Makita-fabrieksservicecentrum, en altijd met gebruik van Makita-vervangingsonderdelen.

## OPTIONELE ACCESSOIRES

**⚠ LET OP:** Deze accessoires of hulpstukken worden aanbevolen voor gebruik met het Makita gereedschap dat in deze gebruiksaanwijzing is beschreven. Bij gebruik van andere accessoires of hulpstukken bestaat het gevaar van persoonlijke letsel. Gebruik de accessoires of hulpstukken uitsluitend voor hun bestemde doel.

Wenst u meer bijzonderheden over deze accessoires, neem dan contact op met het plaatselijke Makita-servicecentrum.

- Zijhandgreep
- Rugschiif
- Wollen polijstschiif
- Schuimrubber polijstschiif
- Viltten polijstschiif

**OPMERKING:** Sommige items op de lijst kunnen zijn inbegrepen in de doos van het gereedschap als standaard toebehoren. Deze kunnen van land tot land verschillen.



## ESPECIFICACIONES

Modelo:	PO5000C	PO6000C
Diámetro de la almohadilla	125 mm	150 mm
Órbitas por minuto	0 - 6.800 min <sup>-1</sup>	
Longitud total	451 mm	
Peso neto	2,8 kg	
Clase de seguridad	□/II	

- Debido a nuestro continuado programa de investigación y desarrollo, las especificaciones aquí dadas están sujetas a cambios sin previo aviso.
- Las especificaciones pueden ser diferentes de país a país.
- Peso de acuerdo con el procedimiento EPTA 01/2003

### Uso previsto

La herramienta ha sido prevista para pulir.

### Alimentación

La herramienta deberá ser conectada solamente a una fuente de alimentación de la misma tensión que la indicada en la placa de características, y solamente puede ser utilizada con alimentación de CA monofásica. La herramienta tiene doble aislamiento y puede, por lo tanto, utilizarse también en tomas de corriente sin conductor de tierra.

### Ruido

El nivel de ruido A-ponderado típico determinado de acuerdo con la norma 60745-2-4:

#### Modelo PO5000C

Nivel de presión sonora ( $L_{pA}$ ) : 81 dB (A)  
 Nivel de potencia sonora ( $L_{WA}$ ) : 92 dB (A)  
 Error (K) : 3 dB (A)

#### Modelo PO6000C

Nivel de presión sonora ( $L_{pA}$ ) : 83 dB (A)  
 Nivel de potencia sonora ( $L_{WA}$ ) : 94 dB (A)  
 Error (K) : 3 dB (A)

**⚠ ADVERTENCIA:** Póngase protectores para oídos.

### Vibración

El valor total de la vibración (suma de vectores triaxiales) determinado de acuerdo con la norma 60745-2-4:

#### Modelo PO5000C

Modo de trabajo: pulido  
 Emisión de vibración ( $a_{h,AP}$ ) : 6,5m/s<sup>2</sup>  
 Error (K) : 1,5 m/s<sup>2</sup>

#### Modelo PO6000C

Modo de trabajo: pulido  
 Emisión de vibración ( $a_{h,AP}$ ) : 7,0m/s<sup>2</sup>  
 Error (K) : 1,5 m/s<sup>2</sup>

**NOTA:** El valor de emisión de vibración declarado ha sido medido de acuerdo con el método de prueba estándar y se puede utilizar para comparar una herramienta con otra.

**NOTA:** El valor de emisión de vibración declarado también se puede utilizar en una valoración preliminar de exposición.

**⚠ ADVERTENCIA:** La emisión de vibración durante la utilización real de la herramienta eléctrica puede variar del valor de emisión declarado dependiendo de las formas en las que la herramienta sea utilizada.

**⚠ ADVERTENCIA:** Asegúrese de identificar medidas de seguridad para proteger al operario que estén basadas en una estimación de la exposición en las condiciones reales de utilización (teniendo en cuenta todas las partes del ciclo operativo como las veces cuando la herramienta está apagada y cuando está funcionando en vacío además del tiempo de gatillo).

### Declaración CE de conformidad

#### Para países europeos solamente

La declaración CE de conformidad está incluida como Anexo A de esta manual de instrucciones.

## ADVERTENCIAS DE SEGURIDAD

### Advertencias de seguridad para herramientas eléctricas en general

**⚠ ADVERTENCIA:** Lea todas las advertencias de seguridad y todas las instrucciones. Si no sigue las advertencias e instrucciones podrá resultar en una descarga eléctrica, un incendio y/o heridas graves.



## Guarde todas las advertencias e instrucciones para futuras referencias.

El término “herramienta eléctrica” en las advertencias se refiere a su herramienta eléctrica de funcionamiento con conexión a la red eléctrica (con cable) o herramienta eléctrica de funcionamiento a batería (sin cable).

### Advertencias de seguridad de la pulidora

1. **Esta herramienta eléctrica ha sido prevista para funcionar como pulidora. Lea todas las advertencias de seguridad, instrucciones, ilustraciones y especificaciones provistas con esta herramienta eléctrica.** Si no sigue todas las instrucciones indicadas abajo podrá resultar en una descarga eléctrica, un incendio y/o heridas graves.
2. **Operaciones tales como las de amolar, cepillar con alambres o cortar no se recomienda realizarlas con esta herramienta eléctrica.** Las operaciones para las que la herramienta eléctrica no ha sido diseñada podrán crear un riesgo y ocasionar heridas personales.
3. **No utilice accesorios que no estén específicamente diseñados y recomendados por el fabricante de la herramienta.** Solo porque el accesorio pueda ser colocado en su herramienta eléctrica no garantiza una operación segura.
4. **La velocidad especificada del accesorio deberá ser por lo menos igual a la máxima velocidad marcada en la herramienta eléctrica.** Los accesorios utilizados por encima de su velocidad especificada podrán romperse y salir despedidos.
5. **El diámetro exterior y el grosor de su accesorio deberán estar dentro del rango de capacidad de su herramienta eléctrica.** Los accesorios de tamaño incorrecto no podrán ser protegidos y controlados debidamente.
6. **El montaje a rosca de los accesorios deberá coincidir con la rosca del mandril. Para accesorios montados con bridas, el orificio para eje del accesorio deberá encajar en el diámetro de ubicación de la brida.** Los accesorios que no coincidan con el mecanismo de montaje de la herramienta eléctrica se desequilibrarán, vibrarán excesivamente y podrán ocasionar una pérdida de control.
7. **No utilice un accesorio que esté dañado. Antes de cada uso, inspeccione el accesorio tal como el plato de respaldo por si está agrietado, rasgado o muy desgastado. Si deja caer la herramienta eléctrica o el accesorio, inspeccione por si hay daños o instale un accesorio que no esté dañado. Después de inspeccionar e instalar un accesorio, póngase usted y cualquier curioso alejados del plano del accesorio giratorio y haga funcionar la herramienta eléctrica a la máxima velocidad sin carga durante un minuto.** Los accesorios dañados normalmente se desintegrarán durante este tiempo de prueba.

8. **Póngase equipo de protección personal. Dependiendo de la aplicación, utilice pantalla facial, gafas de protección o gafas de seguridad. Según corresponda, póngase mascarilla contra el polvo, protectores auditivos, guantes y delantal de taller que pueda detener pequeños fragmentos abrasivos o de pieza de trabajo.** La protección de los ojos deberá poder detener los desechos despedidos generados en distintas operaciones. La mascarilla contra el polvo o respirador deberá poder filtrar las partículas generadas por la operación que realice. Una exposición prolongada a ruido de alta intensidad podrá ocasionar pérdida auditiva.
9. **Mantenga a los curiosos a una distancia segura del área de trabajo. Cualquier persona que entre en el área de trabajo deberá ponerse equipo de protección personal.** Los fragmentos de la pieza de trabajo o de un accesorio roto podrán salir despedidos y ocasionar heridas más allá del área de operación.
10. **Coloque el cable apartado del accesorio giratorio.** Si pierde el control, el cable podrá ser cortado o enredarse y su mano o brazo ser arrastrado hacia el accesorio giratorio.
11. **No deje nunca la herramienta eléctrica hasta que el accesorio se haya detenido completamente.** El accesorio giratorio podrá agarrarse a la superficie y tirar de la herramienta eléctrica haciéndole perder el control de la misma.
12. **No tenga en marcha la herramienta eléctrica mientras la transporta en su costado.** Un contacto accidental con el accesorio giratorio podrá enredar sus ropas, y atraer el accesorio hacia su cuerpo.
13. **Limpie regularmente las aberturas de ventilación de la herramienta eléctrica.** El ventilador del motor conducirá el polvo hacia el interior de la carcasa y una acumulación excesiva de metal en polvo podrá ocasionar peligros eléctricos.
14. **No utilice la herramienta eléctrica cerca de materiales inflamables.** Las chispas podrán prender fuego a estos materiales.
15. **No utilice accesorios que requieran refrigerantes líquidos.** La utilización de agua u otros refrigerantes líquidos podrá resultar en una electrocución o descarga eléctrica.

### Advertencias sobre retrocesos bruscos y otros peligros relacionados

El retroceso brusco es una reacción repentina debida a un aprisionamiento o estancamiento de la muela giratoria, plato de respaldo, cepillo o cualquier otro accesorio giratorio. El aprisionamiento o estancamiento ocasiona un detenimiento rápido del accesorio giratorio que a su vez hace que la herramienta eléctrica descontrolada sea forzada en dirección opuesta a la rotación del accesorio en el punto de bloqueo.

Por ejemplo, si una muela abrasiva queda aprisionada o estancada por la pieza de trabajo, el borde de la muela que está entrando en el punto de estancamiento puede hincarse en la superficie del material haciendo que la muela se salga de la hendidura o salte. La muela podrá saltar hacia el operario o en dirección contraria a él, dependiendo de la dirección del movimiento de la muela en el punto de estancamiento. Las muelas abrasivas también podrán romperse en estas condiciones.

El retroceso brusco es el resultado de un mal manejo de la herramienta eléctrica y/o procedimientos o condiciones de operación incorrectos y pueden evitarse tomando las precauciones apropiadas ofrecidas abajo.

1. **Mantenga empuñada firmemente la herramienta eléctrica y coloque su cuerpo y brazo de forma que le permitan resistir las fuerzas del retroceso brusco. Utilice siempre el mango auxiliar, si está provisto, para tener el máximo control sobre el retroceso brusco o reacción de torsión durante la puesta en marcha.** El operario puede controlar las reacciones de torsión o fuerzas del retroceso brusco, si toma las precauciones adecuadas.
2. **No ponga nunca su mano cerca del accesorio giratorio.** El accesorio podrá retroceder bruscamente sobre su mano.
3. **No ponga su cuerpo en el área donde vaya a desplazarse la herramienta eléctrica si ocurre un retroceso brusco.** El retroceso brusco propulsará la herramienta en dirección opuesta al movimiento de la muela en el punto del enredo.
4. **Tenga cuidado especial cuando trabaje en esquinas, bordes cortantes, etc. Evite que el accesorio rebote o se enrede.** Las esquinas, bordes cortantes o los rebotes tienen una tendencia a enredar el accesorio giratorio y causar una pérdida de control o retroceso brusco.
5. **No coloque una cadena de sierra, un disco de tallar madera o un disco de sierra dentado.** Tales discos crean retrocesos bruscos y pérdida de control frecuentes.

#### Advertencias de seguridad específicas para operaciones de pulido

1. **No permita que alguna porción de la gorra de pulir o sus cuerdas de fijación giren libremente. Oculte o corte cualquier cuerda de fijación floja.** Las cuerdas de fijación flojas o girando pueden engancharse en sus dedos o enredarse en la pieza de trabajo.

#### Advertencias de seguridad adicionales

1. **No deje la herramienta en marcha. Tenga la herramienta encendida solamente cuando la tenga en las manos.**
2. **Compruebe que la pieza de trabajo está apoyada debidamente.**
3. **Si el lugar de trabajo es muy caluroso y húmedo, o si está muy contaminado con polvo conductor, utilice un disyuntor de cortocircuito (30 mA) para garantizar la seguridad del operario.**
4. **No utilice la herramienta con ningún material que contenga asbestos.**

## GUARDE ESTAS INSTRUCCIONES.

**⚠️ ADVERTENCIA:** NO deje que la comodidad o familiaridad con el producto (a base de utilizarlo repetidamente) sustituya la estricta observancia de las normas de seguridad para el producto en cuestión. El MAL USO o el no seguir las normas de seguridad establecidas en este manual de instrucciones podrá ocasionar graves heridas personales.

## DESCRIPCIÓN DEL FUNCIONAMIENTO

**⚠️ PRECAUCIÓN:** Asegúrese siempre de que la herramienta está apagada y desenchufada antes de intentar realizar cualquier tipo de ajuste o comprobación en ella.

### Accionamiento del interruptor

**⚠️ PRECAUCIÓN:** Antes de enchufar la herramienta, compruebe siempre para cerciorarse de que el gatillo interruptor se acciona debidamente y que vuelve a la posición "OFF" cuando lo suelta.

► Fig.1: 1. Gatillo interruptor 2. Botón de bloqueo

Para poner en marcha la herramienta, simplemente apriete el gatillo interruptor. La velocidad de giro aumentará a medida que apriete el gatillo. Suelte el gatillo interruptor para parar. Para una operación continua, apriete el gatillo interruptor, empuje hacia dentro el botón de bloqueo y después suelte el gatillo interruptor. Para parar la herramienta estando en la posición bloqueada, apriete el gatillo completamente, después suéltelo.

**⚠️ PRECAUCIÓN:** El interruptor puede ser bloqueado en la posición "Encendida" para mayor comodidad del operario durante una utilización prolongada. Tenga precaución cuando bloquee la herramienta en la posición "Encendida" y mantenga la herramienta firmemente empuñada.

**⚠️ PRECAUCIÓN:** No enchufe la herramienta con el interruptor de bloqueo activado. La herramienta será puesta en marcha sin soporte y podrá ocasionar heridas personales o una rotura.

### Dial de ajuste de la velocidad

► Fig.2: 1. Dial de ajuste de la velocidad

La velocidad de giro se puede cambiar girando el dial de ajuste de la velocidad hasta un número de ajuste dado de 1 a 5. Se obtiene velocidad más alta cuando el dial es girado en la dirección del número 5. Y se obtiene velocidad más baja cuando es girado en la dirección del número 1.

Consulte la tabla para ver la relación entre los ajustes numéricos del dial y la velocidad de giro aproximada.

Número	Órbitas por minuto	Velocidad de giro de la almohadilla por minuto en modo de órbitas aleatorias con giro forzado
1	1.600	180
2	2.500	290
3	3.700	430
4	5.300	610
5	6.800	780

**AVISO:** Si la herramienta es utilizada continuamente a velocidades bajas durante largo tiempo, el motor se sobrecargará, resultando en un mal funcionamiento de la herramienta.

**AVISO:** El dial de ajuste de la velocidad se puede girar solamente hasta 5 y de vuelta a 1. No lo fuerce más allá de 5 o 1, o la función de ajuste de velocidad podrá dejar de funcionar.

## Función electrónica

Las herramientas equipadas con función electrónica son fáciles de utilizar gracias a las características siguientes.

### Control de velocidad constante

Se puede obtener un acabado fino, porque la velocidad de giro se mantiene constante incluso en condición de carga.

### Característica de inicio suave

Inicio suave gracias a la supresión del golpe de arranque.

## Selección del modo de accionamiento

Gire el pomo de cambio para cambiar el modo de giro.

► Fig.3: 1. Pomo de cambio

**AVISO:** Gire siempre el pomo completamente. Si el pomo está en la posición del medio, usted no podrá encender la herramienta.

**AVISO:** El modo de accionamiento no se puede cambiar cuando la herramienta está encendida.

### Modo de órbitas aleatorias con giro forzado

► Fig.4

El modo de órbitas aleatorias con giro forzado es un accionamiento orbital con giro forzado de la almohadilla para pulido basto tal como el tratamiento de superficies. Gire el pomo de cambio hacia la izquierda para el modo de órbitas aleatorias con giro forzado.

### Modo de órbitas aleatorias

► Fig.5

El modo de órbitas aleatorias es un accionamiento orbital con giro libre de la almohadilla para pulido fino. Gire el pomo de cambio hacia la derecha para el modo de órbitas aleatorias.

## MONTAJE

**PRECAUCIÓN:** Asegúrese siempre de que la herramienta está apagada y desenchufada antes de realizar cualquier trabajo en la herramienta.

## Instalación del plato de respaldo

► Fig.6: 1. Plato de respaldo 2. Llave hexagonal

Ponga el plato de respaldo en el eje y después gire el perno hacia la derecha con una llave hexagonal.

**PRECAUCIÓN:** Asegúrese de que el plato de respaldo está sujeto debidamente. Un accesorio flojo se desequilibrará y ocasionará una vibración excesiva que puede ocasionar la pérdida del control.

## Instalación de la empuñadura lateral

**Accesorio opcional**

► Fig.7: 1. Tapa 2. Empuñadura lateral

Retire la tapa y rosque la empuñadura lateral en la herramienta firmemente.

La empuñadura lateral se puede instalar en cualquiera de los lados de la herramienta.

## Instalación o desmontaje de la almohadilla

**Accesorio opcional**

**PRECAUCIÓN:** Utilice solamente almohadillas de sistema de gancho-y-lazo para pulir.

► Fig.8: 1. Almohadilla

Para instalar la almohadilla, primero retire toda la suciedad y materia extraña del sistema de gancho-y-lazo de la almohadilla y del plato de respaldo. Coloque la almohadilla en el plato de respaldo de forma que sus bordes estén alineados. Para retirar la almohadilla del plato de respaldo, simplemente tire de ella desde su borde.

**PRECAUCIÓN:** Asegúrese de que la almohadilla y el plato de respaldo están alineados y sujetos firmemente. De lo contrario la almohadilla ocasionará vibración excesiva que causará la pérdida de control o la almohadilla podrá salir lanzada de la herramienta.

## OPERACIÓN

**PRECAUCIÓN:** Utilice solamente almohadillas genuinas de Makita para pulir.

**PRECAUCIÓN:** Asegúrese de que el material de trabajo está sujeto y estable. Un objeto que se cae puede ocasionar heridas personales.

**PRECAUCIÓN:** Sujete la herramienta firmemente con una mano en el mango del interruptor y la otra en la empuñadura delantera (o mango lateral) cuando utilice la herramienta.

**PRECAUCIÓN:** No utilice la herramienta sometida a mucha carga durante periodos de tiempo prolongados. Podrá resultar en un mal funcionamiento de la herramienta que ocasionará una descarga eléctrica, un incendio y/o heridas graves.

**PRECAUCIÓN:** Tenga cuidado de no tocar la parte giratoria.

**AVISO:** No fuerce nunca la herramienta. Una presión excesiva podrá conducir a una disminución de la eficacia del pulido, dañar la almohadilla, o acortar la vida de servicio de la herramienta.

**AVISO:** La operación continua a alta velocidad podrá dañar la superficie del trabajo.

## Operación de pulido

### ► Fig.9

#### 1. Tratamiento de superficies (Modo de órbitas aleatorias con giro forzado)

Utilice la almohadilla de lana para acabado basto y después utilice la almohadilla de esponja para acabado fino.

#### 2. Aplicación de cera (Modo de órbitas aleatorias)

Utilice una almohadilla de esponja. Aplique cera a la almohadilla de esponja, o a la superficie de trabajo. Utilice la herramienta a baja velocidad para suavizar la cera.

**PRECAUCIÓN:** No aplique cera o agente de pulir en exceso. Generará más polvo y podrá ocasionar enfermedades de los ojos o respiratorias.

**NOTA:** Primero, realice un encerado de prueba en una porción discreta de la superficie de trabajo. Antes, asegúrese de que la herramienta no rayará la superficie o producirá un encerado desigual.

#### 3. Para quitar cera (Modo de órbitas aleatorias)

Utilice otra almohadilla de esponja. Ponga la herramienta en marcha para quitar la cera.

#### 4. Pulido (Modo de órbitas aleatorias)

Aplique la almohadilla de fieltro suavemente a la superficie de trabajo.

## MANTENIMIENTO

**PRECAUCIÓN:** Asegúrese siempre de que la herramienta está apagada y desenchufada antes de intentar realizar la inspección o el mantenimiento.

**AVISO:** No utilice nunca gasolina, bencina, disolvente, alcohol o similares. Podría producir descoloración, deformación o grietas.

## Limpieza de los guardapolvos

### ► Fig.10: 1. Guardapolvo

Limpie los guardapolvos de las aberturas de ventilación regularmente para obtener una circulación de aire uniforme. Retire los guardapolvos y limpie la malla.

Para mantener la SEGURIDAD y FIABILIDAD del producto, las reparaciones, la inspección y el reemplazo de la escobilla de carbón, y cualquier otra tarea de mantenimiento o ajuste deberán ser realizados en centros de servicio autorizados o de fábrica de Makita, empleando siempre repuestos Makita.

## ACCESORIOS OPCIONALES

**PRECAUCIÓN:** Estos accesorios o aditamentos están recomendados para su uso con la herramienta Makita especificada en este manual. El uso de cualquier otro accesorio o aditamento puede suponer un riesgo de heridas personales. Utilice el accesorio o aditamento solamente con la finalidad indicada para el mismo.

Si necesita cualquier ayuda para más detalles en relación con estos accesorios, pregunte al centro de servicio Makita local.

- Empuñadura lateral
- Plato de respaldo
- Almohadilla de lana
- Almohadilla de esponja
- Almohadilla de fieltro

**NOTA:** Algunos elementos de la lista podrán estar incluidos en el paquete de la herramienta como accesorios estándar. Pueden variar de un país a otro.



## ESPECIFICAÇÕES

Modelo:	PO5000C	PO6000C
Diâmetro da almofada	125 mm	150 mm
Órbitas por minuto	0 - 6.800 min <sup>-1</sup>	
Comprimento geral	451 mm	
Peso líquido	2,8 kg	
Classe de segurança	□/II	

- Devido a um programa contínuo de pesquisa e desenvolvimento, estas especificações podem ser alteradas sem aviso prévio.
- As especificações podem variar de país para país.
- Peso de acordo com o Procedimento 01/2003 da EPTA (European Power Tool Association)

### Utilização a que se destina

A ferramenta foi concebida para polir.

### Alimentação

A ferramenta só deve ser ligada a uma fonte de alimentação com a mesma tensão da indicada na placa de características, e só funciona com alimentação de corrente alterna (CA) monofásica. Tem um sistema de isolamento duplo e pode, por isso, utilizar tomadas sem ligação à terra.

### Ruído

A característica do nível de ruído A determinado de acordo com a 60745-2-4:

#### Modelo PO5000C

Nível de pressão acústica ( $L_{pA}$ ): 81 dB (A)  
 Nível de potência acústica ( $L_{WA}$ ): 92 dB (A)  
 Variabilidade (K): 3 dB (A)

#### Modelo PO6000C

Nível de pressão acústica ( $L_{pA}$ ): 83 dB (A)  
 Nível de potência acústica ( $L_{WA}$ ): 94 dB (A)  
 Variabilidade (K): 3 dB (A)

**AVISO:** Utilize protetores auriculares.

### Vibração

Valor total da vibração (soma vetorial tri-axial) determinado de acordo com a 60745-2-4:

#### Modelo PO5000C

Modo de trabalho: polimento  
 Emissão de vibração ( $a_{h,AP}$ ): 6,5m/s<sup>2</sup>  
 Variabilidade (K): 1,5 m/s<sup>2</sup>

#### Modelo PO6000C

Modo de trabalho: polimento  
 Emissão de vibração ( $a_{h,AP}$ ): 7,0m/s<sup>2</sup>  
 Variabilidade (K): 1,5 m/s<sup>2</sup>

**NOTA:** O valor da emissão de vibração indicado foi medido de acordo com o método de teste padrão e pode ser utilizado para comparar duas ferramentas.

**NOTA:** O valor da emissão de vibração indicado pode também ser utilizado na avaliação preliminar da exposição.

**AVISO:** A emissão de vibração durante a utilização real da ferramenta elétrica pode diferir do valor de emissão indicado, dependendo das formas como a ferramenta é utilizada.

**AVISO:** Certifique-se de identificar as medidas de segurança para proteção do operador que sejam baseadas em uma estimativa de exposição em condições reais de utilização (considerando todas as partes do ciclo de operação, tal como quando a ferramenta está desligada e quando está a funcionar em marcha lenta além do tempo de acionamento).

### Declaração de conformidade da CE

#### Apenas para os países europeus

A declaração de conformidade da CE está incluída como Anexo A neste manual de instruções.

## AVISOS DE SEGURANÇA

### Avisos gerais de segurança para ferramentas elétricas

**AVISO:** Leia todos os avisos de segurança e todas as instruções. O não cumprimento de todos os avisos e instruções pode originar choque elétrico, incêndio e/ou ferimentos graves.

### Guarde todos os avisos e instruções para futuras referências.

O termo "ferramenta elétrica" nos avisos refere-se às ferramentas elétricas ligadas à corrente elétrica (com cabo) ou às ferramentas elétricas operadas por meio de bateria (sem cabo).

## Avisos de segurança sobre a polidora

- Esta ferramenta elétrica foi concebida para ser utilizada como polidora. Leia todos os avisos de segurança, instruções, ilustrações e especificações fornecidos com esta ferramenta elétrica.** O não cumprimento de todas as instruções indicadas em baixo pode resultar em choque elétrico, incêndio e/ou ferimentos graves.
- As operações como desbaste, limpeza com escova metálica ou recorte não são recomendadas para serem realizadas com esta ferramenta elétrica.** As operações para as quais a ferramenta elétrica não foi concebida podem criar riscos e provocar ferimentos pessoais.
- Não utilize acessórios que não tenham sido especificamente projetados e recomendados pelo fabricante da ferramenta.** O facto de poder instalar o acessório na ferramenta elétrica não garante um funcionamento com segurança.
- A velocidade nominal do acessório deve ser pelo menos igual à velocidade máxima indicada na ferramenta elétrica.** Os acessórios que funcionam em velocidade mais alta do que a velocidade nominal podem partir e estilhaçar.
- O diâmetro externo e a espessura do acessório devem estar dentro da capacidade nominal da ferramenta elétrica.** Não é possível resguardar ou controlar adequadamente os acessórios de tamanho incorreto.
- As montagens roscadas dos acessórios tem de corresponder à rosca do eixo. Para acessórios montados por flanges, o orifício de fixação do acessório tem de ter um diâmetro equivalente ao do diâmetro de localização da flange.** Os acessórios que não correspondem ao hardware de montagem da ferramenta elétrica ficarão desequilibrados, vibrarão excessivamente e podem provocar perda de controlo.
- Não utilize um acessório danificado. Antes de cada utilização, inspecione o acessório, como a almofada de apoio para ver se apresenta rachas, rasgões ou desgaste excessivo. Se a ferramenta elétrica ou o acessório cair, inspecione para ver se ficou danificado ou instale um acessório não danificado. Depois de inspecionar e instalar um acessório, fique afastado do plano do acessório rotativo, e peça às pessoas que estejam perto para fazerem o mesmo, e ponha a ferramenta elétrica a funcionar na velocidade máxima sem carga durante um minuto.** Normalmente, os acessórios danificados partem-se durante este momento de teste.
- Utilize equipamento de proteção pessoal. Dependendo da aplicação, utilize um protetor facial, óculos de segurança ou de proteção. Conforme adequado, utilize uma máscara contra o pó, protetores auriculares, luvas e avental capazes de resguardar contra pequenos estilhaços ou abrasivos da peça de trabalho.** Os protetores oculares devem ter capacidade para resguardar contra fragmentos volantes gerados por diversas operações. A máscara contra o pó ou de respiração deve ter capacidade de filtrar partículas geradas pela operação. A exposição prolongada a ruídos de alta intensidade pode provocar perda de audição.
- Mantenha os espetadores a uma distância segura da área de trabalho. Todas as pessoas que entram na área de trabalho devem utilizar equipamento de proteção pessoal.** Os estilhaços da peça de trabalho ou de um acessório partido podem ser arremessados e provocar ferimentos além da área imediata de operação.
- Posicione o cabo afastado do acessório rotativo.** Se perder o controlo, o cabo pode ser cortado ou ficar preso e a sua mão ou braço pode ser puxado para o acessório em rotação.
- Nunca pouse a ferramenta elétrica antes de o acessório parar completamente.** O acessório rotativo pode enganchar na superfície e descontrolar a ferramenta.
- Não utilize a ferramenta elétrica enquanto a carrega ao seu lado.** O contacto acidental com o acessório rotativo pode prender as suas roupas, puxando o acessório na direção do seu corpo.
- Limpe regularmente os orifícios de ventilação da ferramenta elétrica.** A ventoinha do motor aspira o pó para dentro da caixa e a acumulação excessiva de metal pulverizado pode provocar perigos elétricos.
- Não utilize a ferramenta elétrica próximo de materiais inflamáveis.** As faíscas podem incendiar estes materiais.
- Não utilize acessórios que requerem refrigerantes líquidos.** A utilização de água ou outros refrigerantes líquidos pode resultar em choque ou eletrocussão.

### Avisos sobre recuos e outras relacionadas

O recuo é uma reação repentina a uma roda rotativa, uma base protetora, uma escova ou qualquer outro acessório preso ou emperrado. O bloqueio ou obstáculo provoca a paragem imediata do acessório rotativo que, por sua vez, faz com que a ferramenta elétrica descontrolada seja forçada a ir na direção oposta à da rotação do acessório, no ponto onde ficou presa. Se a roda abrasiva ficar presa ou enroscada na peça de trabalho, por exemplo, a borda da roda que está a entrar no ponto onde prendeu, pode entrar ainda mais fundo na superfície do material fazendo com que a roda salte ou provoque um recuo. A roda pode saltar na direção do operador ou na direção oposta, dependendo do sentido do movimento da roda no ponto em que ficou presa. As rodas abrasivas também podem partir nessas condições.

O recuo é o resultado da utilização imprópria da ferramenta elétrica e/ou das condições ou procedimentos de funcionamento incorretos e pode ser evitado tomando-se as medidas de precaução adequadas, como indicado abaixo.

- Segure firmemente a ferramenta elétrica e posicione o seu corpo e braço de tal forma que lhe permitam resistir às forças do recuo. Utilize sempre o punho auxiliar, se fornecido, para um controlo máximo do recuo ou da reação de binário durante o arranque.** O operador poderá controlar as reações de binário ou as forças do recuo se tomar as precauções necessárias.

2. **Nunca coloque as mãos perto do acessório rotativo.** O acessório pode recuar sobre a sua mão.
3. **Não posicione o seu corpo na área em que a ferramenta elétrica será lançada, caso ocorra um recuo.** O recuo lança a ferramenta na direção oposta ao movimento da roda no ponto onde prende.
4. **Tenha cuidado quando trabalhar em cantos, arestas cortantes, etc. Evite balançar e prender o acessório.** Os cantos, as arestas cortantes ou as batidas tendem a prender o acessório rotativo e causar perda de controlo ou recuo.
5. **Não instale uma corrente de serra, uma lâmina para esculpir madeira nem uma lâmina de serra dentada.** Essas lâminas criam recuos frequentes e perda de controlo.

#### **Avisos de segurança específicos para as operações de polimento**

1. **Não permita que alguma parte solta da capa de polimento ou os respetivos cordões de fixação girem livremente. Esconda ou corte quaisquer cordões de fixação soltos.** Os cordões de fixação soltos e a girar podem emaranhar-se nos seus dedos ou prender-se na peça de trabalho.

#### **Avisos de segurança adicionais**

1. **Não deixe a ferramenta a funcionar. Utilize a ferramenta apenas quando a estiver a segurar com a mão.**
2. **Verifique se a peça de trabalho está bem apoiada.**
3. **Se o local de trabalho for extremamente quente e húmido, ou se for bastante poluído por poeiras condutoras, utilize um interruptor de carga de curto-circuitos (30 mA) para garantir a segurança do operador.**
4. **Não utilize a ferramenta em nenhum material que contenha amianto.**

## **GUARDE ESTAS INSTRUÇÕES.**

**⚠️ AVISO:** NÃO permita que o conforto ou familiaridade com o produto (adquirido com o uso repetido) substitua o cumprimento estrito das regras de segurança da ferramenta. A MÁ INTERPRETAÇÃO ou o não seguimento das regras de segurança estabelecidas neste manual de instruções pode provocar ferimentos pessoais graves.

## **DESCRIÇÃO FUNCIONAL**

**⚠️ PRECAUÇÃO:** Certifique-se sempre de que a ferramenta está desligada e com a ficha retirada da tomada, antes de proceder a afinações ou de verificar o funcionamento da respetiva ferramenta.

### **Ação do interruptor**

**⚠️ PRECAUÇÃO:** Antes de ligar a ferramenta à corrente, verifique sempre se o gatilho funciona corretamente e volta para a posição “OFF” quando libertado.

► **Fig.1:** 1. Gatilho 2. Botão de bloqueio

Para pôr a ferramenta a funcionar, puxe o gatilho. A velocidade de rotação aumenta quando se puxa o gatilho. Solte o gatilho para parar. Para uma operação contínua, puxe o gatilho, empurre o botão de bloqueio para dentro e, depois, solte o gatilho. Para retirar a ferramenta da posição de operação contínua, puxe o gatilho até ao fim, depois solte-o.

**⚠️ PRECAUÇÃO:** O interruptor pode ser bloqueado na posição de ligado para facilidade e conforto do utilizador durante uma utilização alargada. Tenha todo o cuidado quando bloquear a ferramenta na posição de ligado e mantenha a ferramenta firmemente segura em posição.

**⚠️ PRECAUÇÃO:** Não ligue a ferramenta à corrente com o interruptor de bloqueio engatado. A ferramenta funcionará sem qualquer apoio e pode provocar ferimentos pessoais ou partir-se.

### **Botão rotativo de regulação da velocidade**

► **Fig.2:** 1. Botão rotativo de regulação da velocidade

A velocidade de rotação pode ser alterada rodando o botão rotativo de regulação da velocidade para um determinado número definido de 1 a 5. Obtém-se uma velocidade maior quando o botão rotativo é rodado em direção ao número 5. E obtém-se uma velocidade menor quando é rodado em direção ao número 1. Refira-se à tabela para ficar a saber a relação entre as definições dos números no botão rotativo e a velocidade de rotação aproximada.

Número	Órbitas por min.	Velocidade de rotação da almofada por minuto em modo roto-orbital com rotação forçada
1	1.600	180
2	2.500	290
3	3.700	430
4	5.300	610
5	6.800	780

**OBSERVAÇÃO:** Se a ferramenta for utilizada continuamente em velocidades baixas durante muito tempo, o motor fica sobrecarregado resultando em avaria da ferramenta.

**OBSERVAÇÃO:** O botão rotativo de regulação da velocidade só pode ser rodado até um máximo de 5 e novamente até ao 1. Não o force para uma posição além do 5 ou do 1, caso contrário, a função de regulação da velocidade pode deixar de funcionar.

## Função eletrónica

As ferramentas equipadas com a função eletrónica são fáceis de utilizar devido às seguintes funcionalidades.

### Controlo da velocidade constante

Possibilidade de obter um acabamento delicado, porque a velocidade de rotação é mantida constante, mesmo sob a condição carregada.

### Funcionalidade de arranque suave

Arranque suave devido ao choque de arranque suprimido.

## Selecionar o modo de ação

Gire o botão de mudança para alterar o modo de rotação.

► Fig.3: 1. Botão de mudança

**OBSERVAÇÃO:** Rode sempre o botão até ao fim. Se o botão estiver na posição do meio, não conseguirá ligar a ferramenta.

**OBSERVAÇÃO:** Não conseguirá mudar o modo de ação quando a ferramenta está ligada.

### Modo roto-orbital com rotação forçada

► Fig.4

O modo roto-orbital com rotação forçada é a ação orbital com a rotação forçada da almofada para polimento grosseiro, como o tratamento da superfície.

Rode o botão de mudança no sentido contrário ao dos ponteiros do relógio para o modo roto-orbital com rotação forçada.

### Modo roto-orbital

► Fig.5

O modo roto-orbital é a ação orbital com a rotação livre da almofada para polimento fino.

Rode o botão de mudança no sentido dos ponteiros do relógio para o modo roto-orbital.

## MONTAGEM

**PRECAUÇÃO:** Certifique-se sempre de que a ferramenta está desligada e com a ficha retirada da tomada antes de executar quaisquer trabalhos na ferramenta.

### Instalar a almofada de apoio

► Fig.6: 1. Almofada de apoio 2. Chave hexagonal

Coloque a almofada de apoio no eixo, depois rode o perno no sentido dos ponteiros do relógio com uma chave hexagonal.

**PRECAUÇÃO:** Certifique-se de que a almofada de apoio está instalada adequadamente. A fixação solta ficará desequilibrada e provocará uma vibração excessiva, o que pode provocar perda de controlo.

### Instalar o punho lateral

**Acessório opcional**

► Fig.7: 1. Capa 2. Punho lateral

Retire a capa e aparafuse o punho lateral na ferramenta em segurança.

O punho lateral pode ser instalado num dos dois lados da ferramenta.

### Instalar ou remover a almofada

**Acessório opcional**

**PRECAUÇÃO:** Utilize apenas almofadas para polimento do sistema de fixação por meio de fitas de tecido autocolantes.

► Fig.8: 1. Almofada

Para instalar a almofada, retire primeiro toda a sujidade e matérias estranhas do sistema de fixação por meio de fitas de tecido autocolantes da almofada e da almofada de apoio. Fixe a almofada à almofada de apoio de modo que as extremidades fiquem alinhadas.

Para retirar a almofada da almofada de apoio, simplesmente puxe pelas extremidades.

**PRECAUÇÃO:** Certifique-se de que a almofada e a almofada de apoio estão alinhadas e fixas em segurança. Caso contrário, a almofada provocará uma vibração excessiva que pode provocar perda de controlo ou a almofada pode ser arremessada da ferramenta.



## OPERAÇÃO

**⚠️PRECAUÇÃO:** Utilize apenas almofadas para polimento genuínas da Makita.

**⚠️PRECAUÇÃO:** Certifique-se de que o material de trabalho está preso e estável. A queda de um objeto pode provocar ferimentos pessoais.

**⚠️PRECAUÇÃO:** Segure firmemente a ferramenta com uma mão na pega do interruptor e a outra mão no punho frontal (ou pega lateral) quando utilizar a ferramenta.

**⚠️PRECAUÇÃO:** Não ponha a ferramenta a funcionar com uma carga alta durante um período de tempo alargado. Pode resultar em avaria da ferramenta, o que provoca choque elétrico, incêndio e/ou ferimentos graves.

**⚠️PRECAUÇÃO:** Tenha cuidado para não tocar na peça rotativa.

**OBSERVAÇÃO:** Nunca force a ferramenta. Uma pressão excessiva pode levar à diminuição da eficiência do polimento, danificar a almofada ou diminuir a vida da ferramenta.

**OBSERVAÇÃO:** A operação contínua a alta velocidade pode danificar a superfície de trabalho.

## Operação de polimento

► Fig.9

1. Tratamento de superfícies (modo roto-orbital com rotação forçada)

Utilize uma almofada de lã para um acabamento grosseiro e, depois, utilize uma almofada de esponja para um acabamento delicado.

2. Aplicar cera (modo roto-orbital)

Utilize uma almofada de esponja. Aplique a cera na almofada de esponja ou na superfície de trabalho. Utilize a ferramenta a baixa velocidade para espalhar a cera.

**⚠️PRECAUÇÃO:** Não aplique cera nem agente de polimento em excesso. Isto geram mais poeira e pode provocar doenças oculares ou respiratórias.

**NOTA:** Primeiro realize um teste colocando cera numa parte pouco visível da superfície de trabalho. Certifique-se de que a ferramenta não irá riscar a superfície nem que o trabalho irá resultar num enhecimento irregular.

3. Remover cera (modo roto-orbital)

Utilize outra almofada de esponja. Ponha a ferramenta a trabalhar para remover a cera.

4. Polimento (modo roto-orbital)

Aplique uma almofada de feltro suavemente na superfície de trabalho.

## MANUTENÇÃO

**⚠️PRECAUÇÃO:** Certifique-se sempre de que a ferramenta está desligada e com a ficha retirada da tomada antes de tentar proceder à inspeção ou à manutenção.

**OBSERVAÇÃO:** Nunca utilize gasolina, benzina, diluente, álcool ou produtos semelhantes. Pode ocorrer a descoloração, deformação ou rachaduras.

## Limpar as coberturas para pó

► Fig.10: 1. Cobertura para pó

Limpe regularmente as coberturas para pó nas aberturas de inalação para uma circulação suave do ar. Retire as coberturas para pó e limpe a rede.

Para manter a SEGURANÇA e a FIABILIDADE do produto, as reparações, a inspeção e substituição das escovas de carvão e qualquer outra manutenção ou ajuste devem ser levados a cabo pelos centros de assistência autorizados ou pelos centros de assistência de fábrica Makita, utilizando sempre peças de substituição Makita.

## ACESSÓRIOS OPCIONAIS

**⚠️PRECAUÇÃO:** Estes acessórios ou peças são recomendados para utilização com a ferramenta Makita especificada neste manual. A utilização de outros acessórios ou peças pode ser perigosa para as pessoas. Utilize apenas acessórios ou peças para os fins indicados.

Se necessitar de informações adicionais relativas a estes acessórios, solicite-as ao seu centro de assistência Makita.

- Punho lateral
- Almofada de apoio
- Almofada de lã
- Almofada de esponja
- Almofada de feltro

**NOTA:** Alguns itens da lista podem estar incluídos na embalagem da ferramenta como acessórios padrão. Eles podem variar de país para país.

## SPECIFIKATIONER

Model:	PO5000C	PO6000C
Diameter af slibetallerken	125 mm	150 mm
Omdrejninger per minut	0 - 6.800 min <sup>-1</sup>	
Længde i alt	451 mm	
Nettovægt	2,8 kg	
Sikkerhedsklasse	□/II	

- På grund af vores kontinuerlige forsknings- og udviklingsprogrammer kan hosstående specifikationer blive ændret uden varsel.
- Specifikationer kan variere fra land til land.
- Vægt i henhold til EPTA-Procedure 01/2003

### Tilsigtet anvendelse

Maskinen er beregnet til afpudsning.

### Strømforsyning

Maskinen må kun tilsluttes en strømforsyning med samme spænding som angivet på typeskiltet og kan kun anvendes på enfaset vekselstrømforsyning. Den er dobbeltisoleret og kan derfor også tilsluttes netstik uden jordforbindelse.

### Lyd

Det typiske A-vægtede støjniveau bestemt i overensstemmelse med 60745-2-4:

#### Model PO5000C

Lydtryksniveau ( $L_{pA}$ ): 81 dB (A)

Lydeffektniveau ( $L_{WA}$ ): 92 dB (A)

Usikkerhed (K): 3 dB (A)

#### Model PO6000C

Lydtryksniveau ( $L_{pA}$ ): 83 dB (A)

Lydeffektniveau ( $L_{WA}$ ): 94 dB (A)

Usikkerhed (K): 3 dB (A)

**ADVARSEL:** Bær høreværn.

### Vibration

Vibrationens totalværdi (tre-aksial vektorsum) bestemt i overensstemmelse med 60745-2-4:

#### Model PO5000C

Arbejdstilstand: polering

Vibrationsafgivelse ( $a_{h,AP}$ ): 6,5 m/s<sup>2</sup>

Usikkerhed (K): 1,5 m/s<sup>2</sup>

#### Model PO6000C

Arbejdstilstand: polering

Vibrationsafgivelse ( $a_{h,AP}$ ): 7,0 m/s<sup>2</sup>

Usikkerhed (K): 1,5 m/s<sup>2</sup>

**BEMÆRK:** Den angivne vibrationsemissionsværdier blevet målt i overensstemmelse med standardtestmetoden og kan anvendes til at sammenligne et værktøj med et andet.

**BEMÆRK:** Den angivne vibrationsemissionsværdien kan også anvendes i en præliminær eksponeringsvurdering.

**ADVARSEL:** Vibrationsemissionen under den faktiske anvendelse af værktøjet kan være forskellig fra den erklærede emissionsværdi, afhængigt af den måde, hvorpå værktøjet anvendes.

**ADVARSEL:** Sørg for at identificere de sikkerhedsforskrifter til beskyttelse af operatøren, som er baseret på en vurdering af eksponering under de faktiske brugsforhold (med hensyntagen til alle dele i brugscyklussen, f.eks. de gange, hvor værktøjet er slukket, og når det kører i tomgang i tilgift til afbrydertiden).

### EU-overensstemmelseserklæring

#### Kun for lande i Europa

EU-overensstemmelseserklæringen er inkluderet som Bilag A i denne brugsanvisning.

## SIKKERHEDSADVARSLER

### Almindelige sikkerhedsregler for el-værktøj

**ADVARSEL:** Læs alle sikkerhedsadvarsler og alle sikkerhedsinstruktioner. Hvis nedenstående advarsler og instruktioner ikke overholdes, kan det medføre elektrisk stød, brand og/eller alvorlig personskade.

### Gem alle advarsler og instruktioner til fremtidig reference.

Ordet "el-værktøj" i advarslerne henviser til det netforsynede (netledning) el-værktøj eller batteriforsynede (akku) el-værktøj.

## Sikkerhedsadvarsler for polérmaskine

- Denne maskine er beregnet til anvendelse som polérmaskine. Læs alle de sikkerhedsadvarsler, instruktioner, illustrationer og specifikationer, der følger med denne maskine.** Forsømmelse af at overholde alle nedenstående instruktioner kan medføre elektrisk stød, brand og/eller alvorlig personskade.
- Det anbefales ikke at benytte maskinen til formål som f.eks. slibning, trådbørstning eller afskæring.** Anvendelser, som maskinen ikke er beregnet til, kan udgøre en risiko og medføre personskade.
- Anvend ikke tilbehør, som ikke er specifikt lavet og anbefalet af maskinens fabrikant.** Den omstændighed, at tilbehøret kan monteres på din maskine, er ingen garanti for, at anvendelsen bliver sikkerhedsmæssig forsvarlig.
- Tilbehørets nominelle hastighed skal være beregnet til mindst den samme som den maksimale hastighed, som er anført på maskinen.** Tilbehør, som kører med en større hastighed end deres nominelle hastighed, kan brække og slyn- ges af.
- Tilbehørets ydre diameter og tykkelse skal være inden for din maskines kapacitetsrating.** Tilbehør med en forkert størrelse kan ikke beskyt- tes eller styres tilstrækkeligt.
- Gevindmontering af tilbehør skal passe til gevindet på spindelen. For tilbehør, der monteres ved hjælp af flanger, skal akselhullet på tilbehøret passe til flangens lokaliseringsdia- meter.** Tilbehør, der ikke passer til monterings- udstyret på maskinen, vil komme ud af balance, vibrere voldsomt og kan medføre, at du mister kontrollen.
- Undlad brug af beskadiget tilbehør. Kontroller tilbehør som f.eks. bagtallerken for revner, slitage eller ekstrem nedslidning, hver gang det skal benyttes. Hvis du taber maskinen eller tilbehøret, skal du se efter beskadigelser eller montere ubeskadiget tilbehør. Efter kontrol og montering af tilbehør skal du placere dig selv og tilskuere væk fra det roterende tilbehørs rotationsplan og lade maskinen køre ved mak- simal hastighed uden belastning i et minut.** Beskadiget tilbehør vil normalt gå i stykker inden for denne testperiode.
- Anvend personligt beskyttelsesudstyr. Afhængigt af brugen skal der anvendes ansigtsskærm, beskyttelsesbriller eller sik- kerhedsbriller. Anvend, alt efter forholdene, støvmaske, høreværn, handsker og forklæde, som kan stoppe små slibningsstykker eller fragmenter fra arbejdsemnet.** Øjenbeskyttelsen skal kunne stoppe afslyngede stykker, som er frembragt af forskelligt arbejde. Støvmasken og respiratoren skal være i stand til at frafiltrere par- tikler, som er frembragt af arbejdet. Længere tids udsættelse for støj af høj intensitet kan medføre høretab.
- Hold tilskuere på god afstand af arbejdsområdet. Enhver person, som befinder sig i arbejdsom- rådet, skal bære personligt beskyttelsesudstyr.** Fragmenter fra arbejdsemner eller fra brækket tilbehør kan blive slynget af og være årsag til tilskade- komst, også uden for det umiddelbare arbejdsområde.
- Anbring altid ledningen, så den ikke kommer i kontakt med drejende tilbehør.** Hvis De mister her- redømmet over maskinen, kan ledningen blive skåret over eller sætte sig fast, og Deres hånd eller arm kan komme i kontakt med det roterende tilbehør.
- Læg aldrig maskinen fra Dem, før tilbehøret er stoppet fuldstændigt.** Det roterende tilbehør kan gribe fat i overfladen, hvilket kan bevirke, at De mister herredømmet over maskinen.
- Lad ikke maskinen køre, mens De bærer den ved siden.** Utilsigtet kontakt med det roterende tilbehør kan gribe fat i tøjet og derved trække tilbehøret ind mod kroppen.
- Rengør maskinens ventilationsåbninger med jævne mellemrum.** Motorens vifte vil trække støv ind i huset, og en kraftig ophobning af metalstøv kan skabe elektrisk fare.
- Anvend ikke maskinen i nærheden af brænd- bare materialer.** Disse materialer kan blive antændt af gnister.
- Anvend ikke tilbehør, der kræver kølevæske.** Anvendelse af vand eller anden kølevæske kan resultere i dødelige stød eller elektriske stød.

### Tilbageslag og relaterede advarsler

Tilbageslag er en pludselig reaktion på en fastklemt eller blokeret roterende skive, bagskive, børste eller andet tilbehør. En fastklemt eller blokeret del forårsager hurtig standsning af det roterende tilbehør, som derved bliver årsag til, at den ukontrollerede maskine bliver tvunget i den modsatte retning af tilbehørets rotation ved punktet for bindingen.

Hvis for eksempel en slibeskive er blokeret eller fastklemt af arbejdsemnet, kan kanten på skiven, som går ind i fastklemningspunktet, grave sig ind i materia- lets overflade og derved bevirke, at skiven kommer ud eller presses ud. Skiven kan enten slynkes mod eller bort fra operatøren, afhængigt af skivens bevægelse på fastklemningspunktet. Slibeskiver kan også brække under disse forhold.

Tilbageslag er resultatet af misbrug af maskinen og/ eller fejlagtig anvendelse eller forkerte brugsforhold og kan undgås ved at man tager de rigtige forholdsregler som vist herunder.

- Hold godt fast i maskinen og hold kroppen og armen således, at De kan modvirke tilbage- slagskraften. Anvend altid hjælpehåndtaget, hvis et sådant medfølger, til at opnå maksimal kontrol af tilbageslag og drejningsmomentre- aktion under starten.** Operatøren kan kontrollere drejningsmomentreaktion eller tilbageslagskraft, hvis de rigtige forholdsregler tages.
- Anbring aldrig hænderne i nærheden af det roterende tilbehør.** De risikerer at få hånden ind i tilbageslagets bane.
- Stil Dem ikke i det område, hvor maskinen vil bevæge sig, hvis der opstår tilbage- slag.** Tilbageslag vil slynge maskinen i den modsatte retning af skivens omdrejning på blokeringsstidspunktet.

4. Vær særlig omhyggelig, når De arbejder på hjørner, skarpe kanter osv. Undgå at bump eller blokere tilbehøret. Hjørner, skarpe kanter eller bumpen har tendens til at blokere det roterende tilbehør og forårsage tab af kontrol eller tilbageslag.
5. Monter ikke en savkæde, træskæreklinge eller en savklinge med tænder. Sådanne klinger giver hyppige tilbageslag og tab af kontrol.

#### Specifikke sikkerhedsadvarsler for afpudsning

1. Lad ikke nogen løs del af polérhætten eller dens fastgørelsestråde rotere frit. Gem eventuelle løse fastgørelsestråde væk, eller beskær dem. Løse og roterende fastgørelsestråde kan vikle sig om dine fingre eller blive fanget i arbejdsområdet.

#### Yderligere sikkerhedsadvarsler

1. Maskinen må ikke køre uden opsyn. Maskinen må kun være i gang, når den holdes i hånden.
2. Kontroller, at arbejdsområdet er korrekt understøttet.
3. Hvis arbejdspladsen er meget varm og fugtig, eller hvis den er kraftigt forurenet af ledende støv, skal du bruge en kortslutningsafbryder (30 mA) for at beskytte operatøren.
4. Anvend ikke maskinen på materialer, der indeholder asbest.

## GEM DISSE FORSKRIFTER.

**ADVARSEL:** LAD IKKE bekvemmelighed eller kendskab til produktet (opnået gennem gentagen brug) forhindre, at sikkerhedsforskrifterne for produktet nøje overholdes. MISBRUG eller forsømmelse af at følge de i denne brugsvejledning givne sikkerhedsforskrifter kan medføre alvorlig personskade.

## FUNKTIONSBESKRIVELSE

**FORSIGTIG:** Kontrollér altid, at maskinen er slået fra, og at netstikket er trukket ud, før der udføres justeringer, eller funktioner kontrolleres på maskinen.

### Afbryderbetjening

**FORSIGTIG:** Før maskinen sættes i stikkontakten, skal De altid kontrollere, at afbryderknappen fungerer korrekt og returnerer til "OFF"-positionen, når den slippes.

► Fig.1: 1. Afbryderknap 2. Låseknap

Maskinen startes ved blot at trykke på afbryderknappen. Rotationshastigheden øges, når du trykker på afbryderen. Slip afbryderknappen for at stoppe. For kontinuerlig brug skal du trykke på afbryderknappen, trykke låseknappen ind og derefter slippe afbryderknappen. Når du vil stoppe maskinen fra den låste position, skal du trykke afbryderknappen helt ind og derefter slippe den.

**FORSIGTIG:** Kontakten kan låses i "ON"-stillingen for at gøre det nemmere for brugeren ved længere tids brug af maskinen. Vær forsigtig, når maskinen låses i "ON"-stillingen, og hold godt fast i maskinen.

**FORSIGTIG:** Tilslut ikke maskinen med låsekontakten aktiveret. Maskinen vil køre uunderstøttet og kan forårsage personskade eller beskadigelse.

## Hastighedsvælger

► Fig.2: 1. Hastighedsvælger

Rotationshastigheden kan ændres ved at dreje hastighedsvælgeren til en given talindstilling fra 1 til 5. Hastigheden øges, når vælgeren drejes i retningen mod tallet 5. Og hastigheden sænkes, når den drejes i retningen mod tallet 1.

Se nedenstående tabel for forholdet mellem talindstillingerne på vælgeren og den omtrentlige rotationshastighed.

Tal	Omdrejninger per min.	Rotationshastighed per minut af slibetallerken i excenteromdrejning med fast rotationstilstand
1	1.600	180
2	2.500	290
3	3.700	430
4	5.300	610
5	6.800	780

**BEMÆRKNING:** Hvis maskinen anvendes kontinuerligt ved lav hastighed i længere tid ad gangen, bliver motoren overbelastet med funktionsforstyrrelser til følge.

**BEMÆRKNING:** Hastighedsvælgeren kan kun drejes til 5 og tilbage til 1. Undlad at tvinge den forbi 5 eller 1, da hastighedsvælgerfunktionen muligvis ellers ikke længere vil fungere.

## Elektronisk funktion

Maskiner med elektronisk funktion er lette at betjene på grund af de følgende funktioner.

### Konstant hastighedskontrol

Det er muligt at opnå en flot finish, fordi rotationshastigheden holdes konstant selv under belastning.

### Funktion til blød start

Blød start med undertrykkelse af startchok.

## Valg af funktionstilstanden

Drej omskifterknappen for at skifte rotationstilstanden.

► Fig.3: 1. Omskifterknap



**BEMÆRKNING:** Drej altid knappen helt rundt. Hvis knappen står i midterpositionen, kan der ikke tændes for maskinen.

**BEMÆRKNING:** Du kan ikke ændre funktionstilstanden, når der er tændt for maskinen.

## Excenteromdrejning med fast rotationstilstand

► Fig.4

Excenteromdrejning med fast rotationstilstand er en omdrejningstilstand med fast rotation af slibetallerkenen til grovpolering som f.eks. overfladebehandling. Drej omskifterknappen mod uret for excenteromdrejning med fast rotationstilstand.

## Excenteromdrejningstilstand

► Fig.5

Excenteromdrejningstilstand er en omdrejningstilstand med fri rotation af slibetallerkenen til finpolering. Drej omskifterknappen med uret for excenteromdrejningstilstand.

## SAMLING

**⚠FORSIGTIG:** Sørg altid for, at maskinen er slukket og taget ud af forbindelse, inden der udføres nogen form for arbejde på maskinen.

## Montering af bagtallerkenen

► Fig.6: 1. Bagtallerken 2. Sekskantnøgle

Sæt bagtallerkenen på akslen, og drej derefter bolten i retningen med uret med en sekskantnøgle.

**⚠FORSIGTIG:** Sørg for, at bagtallerkenen er fastgjort forsvarligt. Hvis den er løst monteret, vil den komme ud af balance og medføre kraftig vibration, der kan medføre, at du mister kontrollen.

## Montering af sidehåndtaget

**Ekstraudstyr**

► Fig.7: 1. Hætte 2. Sidehåndtag

Fjern hættten, og skru sidehåndtaget fast på maskinen. Sidehåndtaget kan monteres på begge sider af maskinen.

## Montering eller fjernelse af slibetallerkenen

**Ekstraudstyr**

**⚠FORSIGTIG:** Brug kun burre-system slibetallerkerener til pudsning.

► Fig.8: 1. Slibetallerken

For at montere slibetallerkenen skal du først fjerne alt støv og alle fremmedlegemer fra burre-systemet på slibetallerkenen og bagtallerkenen. Monter slibetallerkenen på bagtallerkenen, så kanterne flugter med hinanden.

Du fjerner slibetallerkenen fra bagtallerkenen ved blot at trække den opad fra kanten.

**⚠FORSIGTIG:** Sørg for, at slibetallerkenen og bagtallerkenen er justeret og fastgjort forsvarligt. Ellers vil slibetallerkenen medføre kraftig vibration, som kan medføre, at du mister kontrollen, eller slibetallerkenen kan blive slynget bort fra maskinen.

## ANVENDELSE

**⚠FORSIGTIG:** Brug kun originale Makita slibetallerkerener til pudsning.

**⚠FORSIGTIG:** Sørg for, at arbejdsområdet er fastgjort og stabilt. Nedfaldende genstande kan medføre personskade.

**⚠FORSIGTIG:** Hold maskinen fast med den ene hånd på kontakthåndtaget og den anden hånd på det forreste håndtag (eller sidehåndtaget), når maskinen anvendes.

**⚠FORSIGTIG:** Lad ikke maskinen køre med høj belastning i længere tid ad gangen. Dette kan forårsage fejlfunktion i maskinen, hvilket kan medføre elektrisk stød, brand og/eller alvorlig personskade.

**⚠FORSIGTIG:** Undgå at berøre den roterende del.

**BEMÆRKNING:** Brug aldrig magt på maskinen.

For stort tryk kan reducere poleringens effektivitet, beskadige slibetallerkenen eller forkorte maskinens levetid.

**BEMÆRKNING:** Kontinuerlig brug ved høj hastighed kan beskadige arbejdsfladen.

## Polering

► Fig.9

1. Overfladebehandling (excenteromdrejning med fast rotationstilstand)

Brug en polérhætte til råpudsning, og brug derefter en polérsvamp til finpudsning.

2. Voksning (excenteromdrejningstilstand)

Brug en polérsvamp. Kom voks på polérsvampen eller arbejdsområdets overflade. Kør maskinen ved lav hastighed for at fordele voksen.

**⚠FORSIGTIG:** Påfør ikke for meget voks eller polérmiddel. Det vil udvikle mere støv og kan medføre øjen- eller åndedrætslidelser.

**BEMÆRK:** Udfør først en prøvevoksning på en del af arbejdsfladen, der ikke er så synlig. Kontroller, at maskinen ikke ridser overfladen, og at voksningen ikke bliver ujævn.

### 3. Fjernelse af voks (excenteromdrejningstilstand)

Brug en anden polérsvamp. Kør maskinen for at fjerne voks.

### 4. Polering (excenteromdrejningstilstand)

Anvend forsigtigt en polérfiltskive mod arbejdssemnets overflade.

## VEDLIGEHOELDELSE

**⚠FORSIGTIG:** Kontrollér altid, at der er slukket for maskinen, og at netstikket er trukket ud, før der udføres eftersyn eller vedligeholdelse.

**BEMÆRKNING:** Anvend aldrig benzin, rensebenzin, fortynder, alkohol og lignende. Det kan medføre misfarvning, deformation eller revner.

## Rengøring af støvdæksler

### ► Fig.10: 1. Støvdæksel

Rengør regelmæssigt støvdækslerne på indsugningsåbningerne for uhindret luftventilation. Fjern støvdækslerne, og rengør masken.

For at opretholde produktets SIKKERHED og PÅLIDELIGHED må reparation, inspektion og udskiftning af kulbørster samt al anden vedligeholdelse eller justering kun udføres af et autoriseret Makita servicecenter eller fabrikkervicecenter med anvendelse af Makita reservedele.

## EKSTRAUDSTYR

**⚠FORSIGTIG:** Det følgende tilbehør og ekstraudstyr er anbefalet til brug med Deres Makita maskine, der er beskrevet i denne brugsanvisning. Anvendelse af andet tilbehør eller ekstraudstyr kan udgøre en risiko for personskade. Anvend kun tilbehør og ekstraudstyr til det beskrevne formål.

Hvis De behøver hjælp ved valg af tilbehør eller ønsker yderligere informationer, bedes De kontakte Deres lokale Makita servicecenter.

- Sidehåndtag
- Bagtallerken
- Polérhætte
- Polérsvamp
- Polérfiltskive

**BEMÆRK:** Nogle ting på denne liste kan være inkluderet i værktøjspakken som standardtilbehør. Det kan være forskellige fra land til land.

## ΠΡΟΔΙΑΓΡΑΦΕΣ

Μοντέλο:	PO5000C	PO6000C
Διάμετρος πέλματος	125 mm	150 mm
Περιστροφές ανά λεπτό	0 - 6.800 min <sup>-1</sup>	
Ολικό μήκος	451 mm	
Καθαρό βάρος	2,8 kg	
Κατηγορία ασφάλειας	□/II	

- Λόγω του συνεχόμενου προγράμματος που εφαρμόζουμε για έρευνα και ανάπτυξη, τα τεχνικά χαρακτηριστικά στο παρόν έντυπο υπόκεινται σε αλλαγή χωρίς προειδοποίηση.
- Τα τεχνικά χαρακτηριστικά μπορεί να διαφέρουν από χώρα σε χώρα.
- Βάρος σύμφωνα με διαδικασία ΕΡΤΑ 01/2003

### Προοριζόμενη χρήση

Το εργαλείο προορίζεται για στίλβωση.

### Ηλεκτρική παροχή

Το εργαλείο πρέπει να συνδέεται μόνο με ηλεκτρική παροχή της ίδιας τάσης με αυτή που αναγράφεται στην πινακίδα ονομαστικών τιμών και μπορεί να λειτουργήσει μόνο με εναλλασσόμενο μονοφασικό ρεύμα. Υπάρχει διπλή μόνωση και κατά συνέπεια, μπορεί να γίνει σύνδεση σε ακροδέκτες χωρίς σύρμα γείωσης.

### Θόρυβος

Το τυπικό Α επίπεδο καταμετρημένου θορύβου καθορίζεται σύμφωνα με το 60745-2-4:

#### Μοντέλο PO5000C

Στάθμη ηχητικής πίεσης ( $L_{pA}$ ): 81 dB (A)

Στάθμη ηχητικής ισχύος ( $L_{WA}$ ): 92 dB (A)

Αβεβαιότητα (K): 3 dB (A)

#### Μοντέλο PO6000C

Στάθμη ηχητικής πίεσης ( $L_{pA}$ ): 83 dB (A)

Στάθμη ηχητικής ισχύος ( $L_{WA}$ ): 94 dB (A)

Αβεβαιότητα (K): 3 dB (A)

**ΠΡΟΕΙΔΟΠΟΙΗΣΗ:** Να φοράτε ωτοασπίδες.

### Κραδασμός

Η ολική τιμή δόνησης (άθροισμα τρι-αξονικού διανύσματος) καθορίζεται σύμφωνα με το 60745-2-4:

#### Μοντέλο PO5000C

Είδος εργασίας: στίλβωμα

Εκπομπή δόνησης ( $a_{h,AP}$ ): 6,5 m/s<sup>2</sup>

Αβεβαιότητα (K): 1,5 m/s<sup>2</sup>

#### Μοντέλο PO6000C

Είδος εργασίας: στίλβωμα

Εκπομπή δόνησης ( $a_{h,AP}$ ): 7,0 m/s<sup>2</sup>

Αβεβαιότητα (K): 1,5 m/s<sup>2</sup>

**ΠΑΡΑΤΗΡΗΣΗ:** Η δηλωμένη τιμή εκπομπής κραδασμών έχει μετρηθεί σύμφωνα με την πρότυπη μέθοδο δοκιμής και μπορεί να χρησιμοποιηθεί για τη σύγκριση ενός εργαλείου με άλλο.

**ΠΑΡΑΤΗΡΗΣΗ:** Η δηλωμένη τιμή εκπομπής κραδασμών μπορεί να χρησιμοποιηθεί και στην προκαταρκτική αξιολόγηση έκθεσης.

**ΠΡΟΕΙΔΟΠΟΙΗΣΗ:** Η εκπομπή κραδασμών κατά τη χρήση του ηλεκτρικού εργαλείου σε πραγματικές συνθήκες μπορεί να διαφέρει από τη δηλωμένη τιμή εκπομπής ανάλογα με τον τρόπο χρήσης του εργαλείου.

**ΠΡΟΕΙΔΟΠΟΙΗΣΗ:** Φροντίστε να λάβετε τα κατάλληλα μέτρα προστασίας του χειριστή βάσει ενός υπολογισμού της έκθεσης σε πραγματικές συνθήκες χρήσης (λαμβάνοντας υπόψη όλες τις συνιστώσες του κύκλου λειτουργίας όπως τους χρόνους που το εργαλείο είναι εκτός λειτουργίας και όταν βρίσκεται σε αδρανή λειτουργία πέραν του χρόνου ενεργοποίησης).

### Δήλωση συμμόρφωσης ΕΚ

*Μόνο για χώρες της Ευρώπης*

Η δήλωση συμμόρφωσης ΕΚ περιλαμβάνεται ως Παράρτημα Α στο παρόν εγχειρίδιο οδηγιών.

## ΠΡΟΕΙΔΟΠΟΙΗΣΕΙΣ ΑΣΦΑΛΕΙΑΣ

### Γενικές προειδοποιήσεις ασφαλείας για το ηλεκτρικό εργαλείο

**ΠΡΟΕΙΔΟΠΟΙΗΣΗ:** Διαβάστε όλες τις προειδοποιήσεις για την ασφάλεια και όλες τις οδηγίες. Η μη τήρηση των προειδοποιήσεων και οδηγιών μπορεί να καταλήξει σε ηλεκτροπληξία, πυρκαγιά ή/και σοβαρό τραυματισμό.

## Φυλάξτε όλες τις προειδοποιήσεις και τις οδηγίες για μελλοντική παραπομπή.

Στις προειδοποιήσεις, ο όρος «ηλεκτρικό εργαλείο» αναφέρεται σε ηλεκτρικό εργαλείο που τροφοδοτείται από την κύρια παροχή ηλεκτρικού ρεύματος (με ηλεκτρικό καλώδιο) ή σε ηλεκτρικό εργαλείο που τροφοδοτείται από μπαταρία (χωρίς ηλεκτρικό καλώδιο).

### Προειδοποιήσεις ασφάλειας για τον στιλβωτή

1. Αυτό το ηλεκτρικό εργαλείο προορίζεται για λειτουργία ως στιλβωτής. Διαβάστε όλες τις προειδοποιήσεις ασφάλειας, τις οδηγίες, τις εικονογραφήσεις και τις προδιαγραφές που παρέχονται με αυτό το ηλεκτρικό εργαλείο. Η μη τήρηση όλων των οδηγιών που αναγράφονται κατωτέρω μπορεί να καταλήξει σε ηλεκτροπληξία, πυρκαγιά ή/και σοβαρό τραυματισμό.
2. Δεν συνιστάται η εκτέλεση εργασιών όπως λείανση, καθαρισμός με συρματόβουρτσα ή κοπή με αυτό το ηλεκτρικό εργαλείο. Η εκτέλεση εργασιών για τις οποίες δεν έχει σχεδιαστεί αυτό το ηλεκτρικό εργαλείο μπορεί να εγκυμονεί κινδύνους και να προκαλέσει προσωπικό τραυματισμό.
3. Μη χρησιμοποιείτε εξαρτήματα που δεν είναι ειδικά σχεδιασμένα και συνιστώμενα από τον κατασκευαστή του εργαλείου. Απλώς και μόνο επειδή το εξάρτημα μπορεί να προσαρτηθεί στο ηλεκτρικό εργαλείο, αυτό δεν εξασφαλίζει ασφαλή λειτουργία.
4. Η ονομαστική ταχύτητα του εξαρτήματος πρέπει να είναι τουλάχιστον ίση με την μέγιστη ταχύτητα που είναι σημειωμένη στο ηλεκτρικό εργαλείο. Εξαρτήματα που λειτουργούν ταχύτερα από την ονομαστική ταχύτητα τους μπορεί να σπάσουν και να εκτοξευθούν.
5. Η εξωτερική διάμετρος και το πάχος του εξαρτήματός σας πρέπει να είναι μέσα στα όρια ικανότητας του ηλεκτρικού εργαλείου σας. Εξαρτήματα μη σωστού μεγέθους δεν μπορούν να προφυλαχθούν ή να ελεγχθούν επαρκώς.
6. Η στερέωση με σπείρωμα των εξαρτημάτων πρέπει να ταιριάζει με το σπείρωμα ατράκτου. Για εξαρτήματα στερεωμένα με φλάντζες, η σπλή προσαρμογής του εξαρτήματος πρέπει να ταιριάζει με τη διάμετρο τοποθέτησης της φλάντζας. Τα εξαρτήματα που δεν ταιριάζουν με τον εξοπλισμό στερέωσης του ηλεκτρικού εργαλείου θα λειτουργούν χωρίς ισορροπία, θα δονούνται υπερβολικά και μπορεί να προκαλέσουν απώλεια ελέγχου.
7. Μη χρησιμοποιείτε εξάρτημα που έχει υποστεί ζημιά. Πριν από κάθε χρήση, να ελέγχετε το εξάρτημα, όπως το πέλμα υποστήριξης, για ρωγμές, σκίσιμο ή υπερβολική φθορά. Σε περίπτωση πτώσης του ηλεκτρικού εργαλείου ή του εξαρτήματος, ελέγξτε για τυχόν ζημιά ή τοποθετήστε ένα εξάρτημα χωρίς ζημιά. Μετά τον έλεγχο και την τοποθέτηση ενός εξαρτήματος, απομακρυνθείτε εσείς και οι γύρω σας από το επίπεδο περιστροφής του εξαρτήματος και αφήστε το ηλεκτρικό εργαλείο σε λειτουργία σε μέγιστη ταχύτητα χωρίς φορτίο για ένα λεπτό. Εξαρτήματα με ζημιές κανονικά θα διαλυθούν κατά τον χρόνο αυτής της δοκιμής.

8. Να φοράτε ατομικό εξοπλισμό προστασίας. Ανάλογα με την εφαρμογή, να χρησιμοποιείτε προσωπίδα προστασίας, προστατευτικά γυαλιά-προσωπίδες ή γυαλιά προστασίας. Όταν απαιτείται, να φοράτε μάσκα σκόνης, προστατευτικά ακοής, γάντια και ποδιά συνεργείου ικανά να παρέχουν προστασία από τα εκτινασσόμενα μικρά θραύσματα λόγω της λείανσης ή του τεμαχίου εργασίας. Τα προστατευτικά ματιών πρέπει να είναι ικανά να σταματήσουν τυχόν εκτινασσόμενα θραύσματα που δημιουργούνται κατά την εκτέλεση διαφόρων εργασιών. Η μάσκα σκόνης ή αναπνευστήρας πρέπει να είναι ικανή να φιλτράρει σωματίδια παραγόμενα από τις λειτουργίες σας. Η παρατεταμένη έκθεση σε θόρυβο υψηλής έντασης μπορεί να προκαλέσει απώλεια ακοής.
9. Κρατάτε τους γύρω σας σε μια ασφαλή απόσταση από τον χώρο εργασίας. Οποιοσδήποτε εισερχόμενος στο χώρο εργασίας πρέπει να φορά ατομικό προστατευτικό εξοπλισμό. Τεμαχίδια από το τεμάχιο εργασίας ή από ένα σπασμένο εξάρτημα μπορεί να εκτιναχθούν μακριά και να προκαλέσουν τραυματισμό πέραν της άμεσης περιοχής εργασίας.
10. Κρατήστε το καλώδιο μακριά από το περιστρεφόμενο εξάρτημα. Αν χάσετε τον έλεγχο, το καλώδιο τροφοδοσίας μπορεί να κοπεί ή να εμπλακεί και το χέρι ή ο βραχίονάς σας μπορεί να τραβηχτεί προς το περιστρεφόμενο εξάρτημα.
11. Μην τοποθετείτε ποτέ το ηλεκτρικό εργαλείο κάτω μέχρι το εξάρτημα να έχει σταματήσει τελείως. Το περιστρεφόμενο εξάρτημα μπορεί να πιάσει την επιφάνεια και να τραβήξει το ηλεκτρικό εργαλείο έξω από τον έλεγχο σας.
12. Μη χειρίζεστε το ηλεκτρικό εργαλείο ενώ το μεταφέρετε στο πλευρό σας. Τυχόν επαφή με το περιστρεφόμενο εξάρτημα μπορεί να προκαλέσει πιάσιμο στα ρούχα σας και να τραβήξει το εξάρτημα μέσα στο σώμα σας.
13. Καθαρίζετε τακτικά τα ανοίγματα εξαερισμού του ηλεκτρικού εργαλείου. Ο ανεμιστήρας του μοτέρ θα αναρροφήσει τη σκόνη μέσα στο περίβλημα και η υπερβολική συγκέντρωση ρινισμάτων μετάλλου μπορεί να προκαλέσει κίνδυνο ηλεκτροπληξίας.
14. Μη χειρίζεστε το ηλεκτρικό εργαλείο κοντά σε εύφλεκτα υλικά. Σπινθήρες μπορεί να αναφλέξουν τα υλικά αυτά.
15. Μη χρησιμοποιείτε εξαρτήματα που χρειάζονται ψυκτικά υγρά. Η χρήση νερού ή άλλων ψυκτικών υγρών μπορεί να προκαλέσουν ηλεκτροπληξία ή σοκ.

### Κλότσημα και σχετικές προειδοποιήσεις

Το κλότσημα είναι μια ξαφνική αντίδραση του εργαλείου λόγω σύσφιξης ή σκαλώματος του περιστρεφόμενου τροχού, της βάσης υποστήριξης, της βούρτσας ή τυχόν άλλου εξαρτήματος. Η σύσφιξη ή το σκάλωμα προκαλεί ταχεία απώλεια ελέγχου του περιστρεφόμενου εξαρτήματος το οποίο στη συνέχεια υποχρεώνει το ανεξέλεγκτο ηλεκτρικό εργαλείο σε περιστροφή αντίθετη από εκείνη του εξαρτήματος στο σημείο εμπλοκής. Για παράδειγμα, αν ένας λειαντικός τροχός περιέλθει σε σύσφιξη ή σκάλωμα στο τεμάχιο εργασίας, η ακμή του τροχού που εισέρχεται στο σημείο σύσφιξης μπορεί να σκάψει την επιφάνεια του υλικού προκαλώντας την αναπηδήση ή το κλότσημα του τροχού. Ο τροχός μπορεί να αναπηδήσει προς το μέρος του χειριστή ή αντίθετα να απομακρυνθεί από αυτόν, ανάλογα με τη φορά περιστροφής του τροχού στο σημείο σύσφιξης. Υπό αυτές τις συνθήκες, οι λειαντικοί τροχοί μπορεί επίσης να υποστούν θραύση.



Το κλότσημα είναι αποτέλεσμα κακής χρήσης του ηλεκτρικού εργαλείου ή/και εσφαλμένων χειρισμών ή συνθηκών και μπορεί να αποφευχθεί με τις κατάλληλες προφυλάξεις όπως δίνονται παρακάτω.

- Κρατάτε σταθερά το ηλεκτρικό εργαλείο και τοποθετήστε το σώμα σας και τον βραχίονα έτσι ώστε να ανθίστανται στις δυνάμεις του κλοτσήματος. Να χρησιμοποιείτε πάντα βοηθητική λαβή, αν παρέχεται, για μέγιστο βαθμό ελέγχου του κλοτσήματος ή της ροπής αντίδρασης κατά την εκκίνηση. Ο χειριστής μπορεί να ελέγχει τις αντιδράσεις ροπής ή δυνάμεις κλοτσήματος, αν έχουν ληφθεί οι κατάλληλες προφυλάξεις.**
- Ποτέ μη βάλετε το χέρι σας κοντά στο περιστρεφόμενο εξάρτημα. Το εξάρτημα μπορεί να κλοτσήσει στο χέρι σας.**
- Μη τοποθετήσετε το σώμα σας στην περιοχή όπου το ηλεκτρικό εργαλείο θα κινηθεί αν συμβεί κλότσημα. Το κλότσημα θα οδηγήσει το εργαλείο σε διεύθυνση αντίθετη της κίνησης του τροχού στο σημείο εμπλοκής.**
- Δώστε ιδιαίτερη προσοχή όταν εργάζεστε σε γωνίες, κοφτερές ακμές, κλπ. Να αποφεύγετε την αναπήδηση και το σκάλωμα του εξαρτήματος. Γωνίες, αιχμηρές άκρες ή αναπηδήσεις έχουν την τάση να προκαλούν εμπλοκή στο περιστρεφόμενο εξάρτημα και προκαλούν απώλεια ελέγχου ή κλότσημα.**
- Μην προσαρμόζετε αλυσοπρίονο, λεπίδα ξυλογλυπτικής ή λάμα πριονιού με δόντια. Τέτοιες λάμες προκαλούν συχνό κλότσημα και απώλεια ελέγχου.**

#### Προειδοποιήσεις ασφαλείας ειδικά για εργασίες στίλβωσης

- Μην αφήνετε τυχόν χαλαρό τμήμα του καλύμματος στίλβωσης ή τα σκοινιά εξαρτήματος να περιστρέφονται ελεύθερα. Μαζέψτε ή κόψτε οποιαδήποτε ελεύθερα σκοινιά εξαρτήματος. Τα ελεύθερα και περιστρεφόμενα σκοινιά εξαρτήματος μπορεί να μπλεχτούν στα δάχτυλά σας ή να εμπλακούν στο τεμάχιο εργασίας.**

#### Πρόσθετες προειδοποιήσεις ασφάλειας

- Μην αφήνετε το εργαλείο σε λειτουργία. Να χειρίζεστε το εργαλείο μόνο όταν το κρατάτε με τα χέρια σας.**
- Ελέγξτε αν το τεμάχιο εργασίας στηρίζεται σωστά.**
- Αν το μέρος εργασίας είναι πολύ ζεστό και υγρό, ή υπάρχει πολύ αγωγίμη σκόνη, χρησιμοποιήστε ένα ασφαλειοδιακόπτη βραχυκυκλώματος (30 mA) για να είστε σίγουροι για την ασφαλή λειτουργία.**
- Μη χρησιμοποιείτε το εργαλείο σε κανένα υλικό που περιέχει αμιάντο.**

## ΦΥΛΑΞΕΤΕ ΑΥΤΕΣ ΤΙΣ ΟΔΗΓΙΕΣ.

**⚠ ΠΡΟΕΙΔΟΠΟΙΗΣΗ:** ΜΗΝ επιτρέψετε στην άνεση ή στην εξοικείωσή σας με το προϊόν (που αποκτήθηκε από επανειλημμένη χρήση) να αντικαταστήσει την αυστηρή τήρηση των κανόνων ασφαλείας του παρόντος εργαλείου. Η ΛΑΝΘΑΣΜΕΝΗ ΧΡΗΣΗ ή η αμέλεια να ακολουθήσετε τους κανόνες ασφαλείας που διατυπώνονται στο παρόν εγχειρίδιο οδηγιών μπορεί να προκαλέσει σοβαρό προσωπικό τραυματισμό.

## ΠΕΡΙΓΡΑΦΗ ΛΕΙΤΟΥΡΓΙΑΣ

**⚠ ΠΡΟΣΟΧΗ:** Να βεβαιώνετε πάντα ότι το εργαλείο είναι σβηστό και αποσυνδεδεμένο από την ηλεκτρική παροχή πριν ρυθμίσετε ή ελέγχετε κάποια λειτουργία του.

### Δράση διακόπτη

**⚠ ΠΡΟΣΟΧΗ:** Πριν από τη σύνδεση του εργαλείου στην ηλεκτρική παροχή, να ελέγχετε πάντα ότι η σκανδάλη διακόπτης ενεργοποιείται σωστά και επιστρέφει στη θέση «OFF» όταν την αφήνετε.

► **Εικ.1:** 1. Σκανδάλη διακόπτης 2. Κουμπί ασφάλισης

Για να ξεκινήσετε το εργαλείο, απλώς τραβήξτε τη σκανδάλη διακόπτη. Η ταχύτητα περιστροφής αυξάνεται καθώς τραβάτε τη σκανδάλη. Αφήστε τη σκανδάλη διακόπτη για διακοπή της λειτουργίας. Για συνεχόμενη λειτουργία, τραβήξτε τη σκανδάλη διακόπτη, πατήστε το κουμπί ασφάλισης και μετά αφήστε τη σκανδάλη διακόπτη. Για να σταματήσετε το εργαλείο από την ασφαλισμένη θέση, τραβήξτε πλήρως τη σκανδάλη και μετά αφήστε την.

**⚠ ΠΡΟΣΟΧΗ:** Ο διακόπτης μπορεί να ασφαλιστεί στη θέση «ΕΝΕΡΓΟ» για πιο άνετη λειτουργία από το χρήστη κατά τη διάρκεια παρατεταμένης χρήσης. Να είστε προσεκτικοί όταν ασφαλίσετε το εργαλείο στη θέση «ΕΝΕΡΓΟ» και να κρατάτε το εργαλείο σταθερά.

**⚠ ΠΡΟΣΟΧΗ:** Μη συνδέετε το εργαλείο στην ηλεκτρική παροχή όταν ο διακόπτης με κλειδίωμα είναι δεσμευμένος. Το εργαλείο θα λειτουργεί χωρίς υποστήριξη και μπορεί να προκαλέσει προσωπικό τραυματισμό ή σπτάσιμο.

### Καντράν ρύθμισης ταχύτητας

► **Εικ.2:** 1. Καντράν ρύθμισης ταχύτητας

Η ταχύτητα περιστροφής μπορεί να αλλάξει εάν γυρίσετε το καντράν ρύθμισης ταχύτητας σε μια δεδομένη αριθμητική ρύθμιση από το 1 έως το 5. Λαμβάνεται υψηλότερη ταχύτητα όταν το καντράν περιστρέφεται προς την κατεύθυνση του αριθμού 5. Και επιτυγχάνεται χαμηλότερη ταχύτητα όταν το καντράν περιστρέφεται προς την κατεύθυνση του αριθμού 1.

Ανατρέξτε στον πίνακα για τη σχέση μεταξύ των αριθμητικών ρυθμίσεων στο καντράν και την κατά προσέγγιση ταχύτητα περιστροφής.

Αριθμός	Περιστροφές ανά λεπτό	Ταχύτητα περιστροφής πέλματος ανά λεπτό σε τρόπο λειτουργίας τυχαίας τροχιάς με εξαναγκασμένη περιστροφή
1	1.600	180
2	2.500	290
3	3.700	430
4	5.300	610
5	6.800	780

**ΕΙΔΟΠΟΙΗΣΗ:** Αν το εργαλείο λειτουργεί συνεχόμενα σε χαμηλές ταχύτητες για μεγάλο χρονικό διάστημα, το μοτέρ θα υπερφορτωθεί και θα προκαλέσει δυσλειτουργία του εργαλείου.

**ΕΙΔΟΠΟΙΗΣΗ:** Το καντράν ρύθμισης ταχύτητας μπορεί να περιστραφεί μόνο μέχρι το 5 και ξανά στο 1. Μην το εξαναγκάσετε μετά το 5 ή το 1, διαφορετικά η ρύθμιση ταχύτητας δεν θα λειτουργεί.

## Ηλεκτρονική λειτουργία

Τα εργαλεία που είναι εξοπλισμένα με ηλεκτρονική λειτουργία είναι εύκολα στη χρήση λόγω των ακόλουθων χαρακτηριστικών.

### Έλεγχος σταθερής ταχύτητας

Μπορείτε να έχετε ένα κομψό αποτέλεσμα επειδή η ταχύτητα περιστροφής διατηρείται σταθερή ακόμα και υπό φορτωμένη κατάσταση.

### Χαρακτηριστικό ομαλής έναρξης

Ομαλή έναρξη επειδή καταστέλλεται η αιφνίδια έναρξη.

## Επιλογή τρόπου λειτουργίας δράσης

Περιστρέψτε το κουμπί αλλαγής για να αλλάξετε τον τρόπο λειτουργίας περιστροφής.

► **Εικ.3:** 1. Κουμπί αλλαγής

**ΕΙΔΟΠΟΙΗΣΗ:** Να γυρίζετε πάντα το κουμπί πλήρως. Αν το κουμπί βρίσκεται σε μεσαία θέση, δεν μπορείτε να ενεργοποιήσετε το εργαλείο.

**ΕΙΔΟΠΟΙΗΣΗ:** Δεν μπορείτε να αλλάξετε τον τρόπο λειτουργίας δράσης όταν το εργαλείο είναι ενεργοποιημένο.

### Τρόπος λειτουργίας τυχαίας τροχιάς με εξαναγκασμένη περιστροφή

► **Εικ.4**

Ο τρόπος λειτουργίας τυχαίας τροχιάς με εξαναγκασμένη περιστροφή είναι μια τροχιακή δράση με εξαναγκασμένη περιστροφή του πέλματος για σκληρή στίλβωση, όπως η κατεργασία μιας επιφάνειας.

Γυρίστε το κουμπί αλλαγής αριστερόστροφα για τρόπο λειτουργίας τυχαίας τροχιάς με εξαναγκασμένη περιστροφή.

### Τρόπος λειτουργίας τυχαίας τροχιάς

► **Εικ.5**

Ο τρόπος λειτουργίας τυχαίας τροχιάς είναι μια τροχιακή δράση με ελεύθερη περιστροφή του πέλματος για λεπτή στίλβωση.

Γυρίστε το κουμπί αλλαγής δεξιόστροφα για τρόπο λειτουργίας τυχαίας τροχιάς.

## ΣΥΝΑΡΜΟΛΟΓΗΣΗ

**ΠΡΟΣΟΧΗ:** Να βεβαιώνετε πάντα ότι το εργαλείο είναι σβηστό και αποσυνδεδεμένο από την ηλεκτρική παροχή πριν εκτελέσετε οποιαδήποτε εργασία σε αυτό.

### Τοποθέτηση του πέλματος υποστήριξης

► **Εικ.6:** 1. Πέλημα υποστήριξης 2. Εξαγωνικό κλειδί

Τοποθετήστε το πέλημα υποστήριξης στον άξονα και μετά περιστρέψτε το μπουλόνι δεξιόστροφα με το εξαγωνικό κλειδί.

**ΠΡΟΣΟΧΗ:** Βεβαιωθείτε ότι το πέλημα υποστήριξης είναι ασφαλισμένο σωστά. Ένα χαλαρό εξάρτημα θα παρουσιάσει υποβαθμισμένη ζυγοστάθμιση και θα προκαλέσει υπερβολικούς κραδασμούς που μπορεί να προκαλέσει απώλεια ελέγχου.

### Τοποθέτηση πλάγιας λαβής

*Προαιρετικό εξάρτημα*

► **Εικ.7:** 1. Καπάκι 2. Πλάγια λαβή

Βγάλτε το καπάκι και βιδώστε την πλάγια λαβή στο εργαλείο με ασφάλεια.

Μπορείτε να τοποθετήσετε την πλάγια λαβή σε οποιαδήποτε πλευρά του εργαλείου.

### Τοποθέτηση ή αφαίρεση του πέλματος

*Προαιρετικό εξάρτημα*

**ΠΡΟΣΟΧΗ:** Για στίλβωση, να χρησιμοποιείτε μόνο πέσματα τύπου αντιπροσκόλλησης.

► **Εικ.8:** 1. Πέλημα

Για να τοποθετήσετε το πέλημα, πρώτα αφαιρέστε όλη τη βρομιά ή την ξένη ύλη από το σύστημα αντιπροσκόλλησης του πέλματος και του πέλματος υποστήριξης. Συνδέστε το πέλημα στο πέλημα υποστήριξης ώστε τα άκρα τους να είναι ευθυγραμμισμένα.

Για να αφαιρέσετε το πέλημα από το πέλημα υποστήριξης, απλά τραβήξτε προς τα άνω από το άκρο του.

**ΠΡΟΣΟΧΗ:** Βεβαιωθείτε ότι το πέλημα και το πέλημα υποστήριξης είναι ευθυγραμμισμένα και συνδεδεμένα με ασφάλεια. Διαφορετικά το πέλημα θα προκαλέσει υπερβολικούς κραδασμούς που μπορεί να προκαλέσουν απώλεια ελέγχου ή την εκτόξευση του πέλματος από το εργαλείο.

## ΛΕΙΤΟΥΡΓΙΑ

**⚠ ΠΡΟΣΟΧΗ:** Για στίλβωση, να χρησιμοποιείτε μόνο γνήσια πέλματα της Makita.

**⚠ ΠΡΟΣΟΧΗ:** Φροντίστε ώστε το υλικό εργασίας να είναι ασφαλισμένο και σταθερό. Ένα αντικείμενο που πέφτει μπορεί να προκαλέσει προσωπικό τραυματισμό.

**⚠ ΠΡΟΣΟΧΗ:** Όταν χειρίζεστε το εργαλείο, να κρατάτε το εργαλείο σταθερά με το ένα χέρι στη λαβή διακόπτη και το άλλο χέρι στην μπροστινή λαβή (ή την πλάγια λαβή).

**⚠ ΠΡΟΣΟΧΗ:** Μη θέτετε το εργαλείο σε λειτουργία με υψηλό φόρτο για μεγάλη χρονική περίοδο. Μπορεί να έχει ως αποτέλεσμα δυσλειτουργία του εργαλείου η οποία μπορεί να καταλήξει σε ηλεκτροπληξία, πυρκαγιά ή/και σοβαρό τραυματισμό.

**⚠ ΠΡΟΣΟΧΗ:** Προσέχετε να μην αγγίζετε το περιστεμφόμενο τμήμα.

**ΕΙΔΟΠΟΙΗΣΗ:** Μη ζορίζετε ποτέ το εργαλείο. Η υπερβολική πίεση μπορεί να οδηγήσει σε μείωση της ικανότητας στίλβωσης, κατεστραμμένο πέλαμα ή μείωση της διάρκειας ζωής του εργαλείου.

**ΕΙΔΟΠΟΙΗΣΗ:** Η συνεχόμενη λειτουργία με υψηλή ταχύτητα μπορεί να προκαλέσει ζημιά στην επιφάνεια εργασίας.

## Λειτουργία στίλβωματος

### ► Εικ.9

1. Κατεργασία επιφάνειας (Τρόπος λειτουργίας τυχαίας τροχιάς με εξαναγκασμένη περιστροφή)

Χρησιμοποιήστε ένα μάλλινο πέλαμα για τραχύ τελείωμα και μετά χρησιμοποιήστε ένα σπογγώδες πέλαμα για λεπτό τελείωμα.

2. Εφαρμογή κεριού (Τρόπος λειτουργίας τυχαίας τροχιάς)

Χρησιμοποιήστε ένα σπογγώδες πέλαμα. Εφαρμόστε κεριό στο σπογγώδες πέλαμα ή στην επιφάνεια εργασίας. Θέστε το εργαλείο σε λειτουργία με χαμηλή ταχύτητα για να γίνει το κεριό ομοιόμορφο.

**⚠ ΠΡΟΣΟΧΗ:** Μη εφαρμόζετε υπερβολικό κεριό ή μέσο στίλβωσης. Θα παράγει περισσότερη σκόνη και μπορεί να προκαλέσει οφθαλμική βλάβη ή αναπνευστική νόσο.

**ΠΑΡΑΤΗΡΗΣΗ:** Πρώτα, πραγματοποιήστε ένα δοκιμαστικό κέρωμα σε ένα κρυφό τμήμα της επιφάνειας εργασίας. Βεβαιωθείτε ότι το εργαλείο δεν θα γδάρει την επιφάνεια και δεν θα έχει ως αποτέλεσμα μη ομοιόμορφο κέρωμα.

3. Αφαίρεση κεριού (Τρόπος λειτουργίας τυχαίας τροχιάς)

Χρησιμοποιήστε άλλο σπογγώδες πέλαμα. Θέστε το εργαλείο σε λειτουργία για να απομακρύνετε το κεριό.

4. Στίλβωση (Τρόπος λειτουργίας τυχαίας τροχιάς)

Τοποθετήστε ένα τσόχινο πέλαμα απαλά επάνω στην επιφάνεια εργασίας.

## ΣΥΝΤΗΡΗΣΗ

**⚠ ΠΡΟΣΟΧΗ:** Να βεβαιώνετε πάντα ότι το εργαλείο είναι σβηστό και αποσυνδεδεμένο από την ηλεκτρική παροχή πριν εκτελέσετε οποιαδήποτε εργασία επιθεώρησης ή συντήρησης σε αυτό.

**ΕΙΔΟΠΟΙΗΣΗ:** Μην χρησιμοποιείτε ποτέ βενζίνη, πετρελαϊκό αιθέρα, διαλυτικό, αλκοόλη ή παρόμοιες ουσίες. Μπορεί να προκληθεί αποχρωματισμός, παραμόρφωση ή ρωγμές.

## Καθάρισμα των καλυμμάτων σκόνης

### ► Εικ.10: 1. Κάλυμμα σκόνης

Για ομαλή κυκλοφορία του αέρα, να καθαρίζετε τακτικά τα καλύμματα σκόνης στα ανοίγματα εισόδου αέρα. Αφαιρέστε τα καλύμματα σκόνης και καθαρίστε το πλέγμα.

Για να διατηρήσετε την ΑΣΦΑΛΕΙΑ και ΑΞΙΟΠΙΣΤΙΑ του προϊόντος, οι επισκευές, έλεγχος και αντικατάσταση καρβουνακιού, καθώς και οποιαδήποτε άλλη εργασία συντήρησης ή ρύθμισης πρέπει να εκτελούνται από εξουσιοδοτημένα ή εργοστασιακά κέντρα εξυπηρέτησης της Makita, πάντα χρησιμοποιώντας ανταλλακτικά της Makita.

## ΠΡΟΑΙΡΕΤΙΚΑ ΕΞΑΡΤΗΜΑΤΑ

**⚠ ΠΡΟΣΟΧΗ:** Αυτά τα εξαρτήματα ή προσαρτήματα συνιστώνται για χρήση με το εργαλείο Makita που περιγράφτηκε στις οδηγίες αυτές. Η χρήση οποιωνδήποτε άλλων εξαρτημάτων ή προσαρτημάτων μπορεί να προκαλέσει κίνδυνο τραυματισμού σε άτομα. Να χρησιμοποιείτε τα εξαρτήματα ή προσαρτήματα μόνο για την χρήση που προορίζονται.

Εάν χρειάζεστε οποιαδήποτε βοήθεια για περισσότερες πληροφορίες σε σχέση με αυτά τα εξαρτήματα, απαντηθείτε στο τοπικό σας κέντρο εξυπηρέτησης Makita.

- Πλάγια λαβή
- Πέλαμα υποστήριξης
- Μάλλινο πέλαμα
- Σπογγώδες πέλαμα
- Τσόχινο πέλαμα

**ΠΑΡΑΤΗΡΗΣΗ:** Μερικά στοιχεία στη λίστα μπορεί να συμπεριλαμβάνονται στη συσκευασία εργαλείου ως στάνταρ εξαρτήματα. Μπορεί να διαφέρουν ανάλογα με τη χώρα.

## TEKNİK ÖZELLİKLER

Model:	PO5000C	PO6000C
Yastık çapı	125 mm	150 mm
Dakikada devir	0 - 6.800 min <sup>-1</sup>	
Toplam uzunluk	451 mm	
Net ağırlık	2,8 kg	
Emniyet sınıfı	□/II	

- Sürekli yapılan araştırma ve geliştirmelerden dolayı, burada belirtilen özellikler önceden bildirilmeksizin değiştirilebilir.
- Özellikler ülkeden ülkeye değişebilir.
- EPTA\_Prosedürü 01/2003 uyarınca ağırlık

### Kullanım amacı

Bu alet polisaj işlemlerinde kullanılmak üzere tasarlanmıştır.

### Güç kaynağı

Aletin, yalnızca isim levhasında belirtilenle aynı voltajlı güç kaynağına bağlanması gerekir ve yalnızca tek fazlı AC güç kaynağıyla çalıştırılabilir. Çifte yalıtımlıdır ve topraklamasız prizlerle de kullanılabilir.

### Gürültü

Tipik A-ağırlıklı gürültü düzeyi (60745-2-4 standardına göre belirlenen):

#### Model PO5000C

Ses basınç seviyesi (L<sub>PA</sub>): 81 dB (A)

Ses gücü düzeyi (L<sub>WA</sub>): 92 dB (A)

Belirsizlik (K): 3 dB (A)

#### Model PO6000C

Ses basınç seviyesi (L<sub>PA</sub>): 83 dB (A)

Ses gücü düzeyi (L<sub>WA</sub>): 94 dB (A)

Belirsizlik (K): 3 dB (A)

**UYARI:** Kulak koruyucuları takın.

### Titreşim

Titreşim toplam değeri (üç eksenli vektör toplamı) (60745-2-4 standardına göre hesaplanan):

#### Model PO5000C

Çalışma modu: parlatma

Titreşim emisyonu (a<sub>h,AP</sub>): 6,5m/s<sup>2</sup>

Belirsizlik (K) : 1,5 m/s<sup>2</sup>

#### Model PO6000C

Çalışma modu: parlatma

Titreşim emisyonu (a<sub>h,AP</sub>): 7,0m/s<sup>2</sup>

Belirsizlik (K) : 1,5 m/s<sup>2</sup>

**NOT:** Beyan edilen titreşim emisyon değeri standart test yöntemine uygun şekilde ölçülmüştür ve bir aleti bir başkasıyla karşılaştırmak için kullanılabilir.

**NOT:** Beyan edilen titreşim emisyon değeri bir ön maruz kalma değerlendirmesi olarak da kullanılabilir.

**UYARI:** Bu elektrikli aletin gerçek kullanımı sırasındaki titreşim emisyonu aletin kullanım biçimlerine bağlı olarak beyan edilen emisyon değerinden farklı olabilir.

**UYARI:** Gerçek kullanım koşullarındaki maruz kalmanın bir tahmini hesaplaması temelinde operatörü koruyacak güvenlik önlemlerini mutlaka belirleyin (çalışma döngüsü içerisinde aletin kapalı olduğu ve aktif durumda olmasının yanı sıra boşta çalıştığı zamanlar gibi, bütün zaman dilimleri göz önünde bulundurularak değerlendirilmelidir).

### EC Uygunluk Beyanı

#### Sadece Avrupa ülkeleri için

EC uygunluk beyanı bu kullanım kılavuzuna Ek A olarak eklenmiştir.

## GÜVENLİK UYARILARI

### Genel elektrikli alet güvenliği uyarıları

**UYARI:** Tüm güvenlik uyarılarını ve tüm talimatları okuyun. Uyarılara ve talimatlara uyulmaması elektrik şoku, yangın ve/veya ciddi yaralanmalar ile sonuçlanabilir.

### Tüm uyarıları ve talimatları ile-ride başvurmak için saklayın.

Uyarılardaki "elektrikli alet" terimi ile ya prizden çalışan (kordonlu) elektrikli aletiniz ya da kendi aküsü ile çalışan (kordonsuz) elektrikli aletiniz kastedilmektedir.

### Polisaj makinesi güvenlik uyarıları

- Bu elektrikli el aleti bir polisaj makinesi olarak görev yapmak üzere tasarlanmıştır. Bu elektrikli aletle birlikte sunulan tüm güvenlik uyarılarını, talimatları, çizimleri ve teknik özellikleri okuyun.** Aşağıda verilen talimatlara uyulmaması elektrik şoku, yangın ve/veya ciddi yaralanmalar ile sonuçlanabilir.



2. **Bu elektrikli aletle taşlama, telle fırçalama veya kesme gibi işlemlerin yapılması tavsiye edilmez.** Bu elektrikli aletin tasarım amacına uygun olmayan işlemler tehlike oluşturabilir ve kişisel yaralanmaya neden olabilir.
3. **Aletin imalatçısı tarafından özel olarak tasarlanmış ve tavsiye edilmeyen aksesuarları kullanmayın.** Bir aksesuarın yalnızca elektrikli aletinize takılabiliyor olması, onun güvenli çalışacağını garanti etmez.
4. **Aksesuarın anma hızı en azından elektrikli aletin üstünde belirtilen maksimum hıza eşit olmalıdır.** Anma hızlarından daha hızlı çalışan aksesuarlar kırılabilir ve fırlayabilir.
5. **Aksesuarınızın dış çapı ve kalınlığı elektrikli aletinizin kapasite derecelendirmesi dahilinde olmalıdır.** Doğru boyutta olmayan aksesuarlar yeterince korunamayabilir ve kontrol edilemeyebilir.
6. **Aksesuarların dişli montaj parçaları mil dişine tam olarak uymalıdır. Flanş yardımıyla takılan aksesuarlar için, aksesuarın mil delikleri flanşın yerleştirme çapına uygun olmalıdır.** Elektrikli aletin monte edildiği kısıma uymayan aksesuarlar dengesiz döner, aşırı titreşim yapar ve kontrolden çıkabilir.
7. **Hasarlı bir aksesuarı kullanmayın. Her kullanımdan önce aksesuarları kontrol edin, örneğin; disk altlığında çatlak, açılma veya aşırı yıpranma olup olmadığına bakın. Eğer elektrikli alet veya aksesuar düşürülürse, hasar muayenesi yapın veya hasarsız bir aksesuar takın. Bir aksesuarı muayene ettikten ve taktıktan sonra, kendinizi ve civardaki insanları döner aksesuarın düzleminden uzak tutun ve elektrikli aleti bir dakika boyunca maksimum yüksüz hızda çalıştırın.** Bu test çalıştırması sırasında normal olarak hasarlı aksesuarlar kopar.
8. **Kişisel koruyucu donanım kullanın. Uygulamaya bağlı olarak yüz siperleri veya güvenlik gözlükleri kullanın. Uygun görüldüğü şekilde toz maskesi, kulak koruyucuları, eldiven ve küçük aşındırıcı parçalardan veya iş parçasından kopan küçük parçalardan sizi koruyabilecek iş önlüğü takın.** Göz koruyucu, çeşitli işlemlerin üreteceği uçan kırıntıları durdurabilecek nitelikte olmalıdır. Toz maskesi veya solunum cihazı yaptığınız işlemin üreteceği küçük parçacıkları süzebilecek nitelikte olmalıdır. Uzun süre yüksek yoğunlukta gürültüye maruz kalmak işitme kaybına neden olabilir.
9. **Civarda bulunanları çalışma alanından güvenli bir uzaklıkta tutun. Çalışma alanına giren herkes kişisel koruyucu donanım kullanmalıdır.** İş parçasının veya kırılan bir aksesuarın kırıkları uzağa fırlayıp, çalışma yerinin ötesinde yaralanmalara neden olabilir.
10. **Kordonu döner aksesuardan uzakta tutun.** Eğer kontrolü kaybederseniz, kordon kesilebilir veya takılabilir ve eliniz ya da kolunuz döner aksesuara çekilebilir.
11. **Aksesuar tamamen durmadan önce elektrikli aleti kesinlikle yere koymayın.** Döner aksesuar yere sürtünüp, elektrikli aletin kontrolünüz dışında fırlamasına neden olabilir.
12. **Elektrikli aleti yanınızda taşırken çalıştırmayın.** Giysilerinizin kazayla döner aksesuara temas etmesi giysinizin sıkışmasına neden olarak aksesuarı vücudunuza çekebilir.
13. **Elektrikli aletin hava deliklerini düzenli olarak temizleyin.** Motorun fanı tozu gövdenin içine çeker ve aşırı toz metal birikimi elektrik tehlikelerine neden olabilir.

14. **Elektrikli aleti tutuşabilen malzemelerin yakınında kullanmayın.** Kıvılcımlar bu malzemeleri tutuşturabilir.
15. **Sıvı soğutucu gerektiren aksesuarlar kullanmayın.** Su veya diğer sıvı soğutucuların kullanılması elektrik çarpmasına veya şokuna neden olabilir.

### **Geri Tepme ve İlgili Uyarılar**

Geri tepme sıkışan veya takılan bir döner diske, taban altlığına, fırçaya veya başka bir aksesuara verilen ani bir tepkidir. Sıkışma veya takılma döner aksesuarın aniden durmasına ve bu da elektrikli aletin tutukluk noktasında aksesuarın dönme yönünün tersi doğrultuda kontrolsüz şekilde itilmesine neden olur.

Örneğin, eğer bir aşındırıcı disk iş parçasına takılır veya sıkışır, sıkışma noktasına giren diskin kenarı malzeme yüzeyine batarak, diskin dışarı tırmanmasına veya tepmesine neden olabilir. Disk, sıkışma noktasında diskin hareket yönüne bağlı olarak operatöre veya ondan uzağa doğru sıçrayabilir. Bu koşullarda aşındırıcı diskler kırılabilir de.

Geri tepme elektrikli aletin yanlış kullanılmasının ve/veya yanlış kullanım usulleri veya koşullarının bir sonucudur ve aşağıda belirtildiği gibi doğru önlemlerle önlenir.

1. **Elektrikli aleti daima sıkıca kavrayın ve vücudunuzun ve kolunuzun duruşunu geri tepme kuvvetlerine direnç gösterecek şekilde ayarlayın. İlk çalıştırma sırasında geri tepme veya tork etkisi üzerinde maksimum kontrol sağlamak için, eğer varsa, daima yardımcı sapı kullanın.** Eğer doğru önlemler alınır, operatör tork etkilerini veya geri tepme kuvvetlerini kontrol edebilir.
2. **Elinizi kesinlikle döner aksesuarın yakınına koymayın.** Aksesuar elinizin üstüne doğru geri tepebilir.
3. **Vücudunuzu geri tepme halinde elektrikli aletin fırlayacağı alanda bulundurmayın.** Geri tepme aleti takılma noktasında diskin hareketinin tersi yönde iter.
4. **Köşelerde, keskin kenarlarda, vb. çalışırken özel dikkat gösterin. Aksesuarın zıplamasından ve takılmasından kaçının.** Köşelerde, keskin kenarlarda veya zıplama halinde döner aksesuarın takılma eğilimi vardır ve kontrol kaybına ve geri tepmeye neden olur.
5. **Bir zincir testere, oyma bıçağı veya dişli testere bıçağı takmayın.** Bu bıçaklar sıkça geri tepme ve kontrol kaybı yaratır.

### **Polisaj işlemlerine özgü güvenlik uyarıları**

1. **Polisaj başlığının hiçbir parçasının ya da ek parça yaylarının serbest şekilde dönmesine izin vermeyin. Gevşek ek parça yaylarını bağlayın veya kesin.** Gevşek veya sallanan ek parça yayları parmaklarınıza dolaşabilir veya iş parçasına takılabilir.

### **Ek güvenlik uyarıları**

1. **Aleti çalışır durumda bırakmayın. Aleti sadece elinizde tutarken çalıştırın.**
2. **İş parçasının doğru desteklenip desteklenmediğini kontrol edin.**
3. **Çalışma yeri aşırı sıcak ve nemliyse ya da çok fazla iletken toz kirliliği mevcutsa kullanıcının güvenliği için bir kısa devre kesicisi (30 mA) kullanın.**
4. **Bu aleti asbest içeren hiçbir malzeme üstünde kullanmayın.**

## **BU TALİMATLARI MUHAFAZA EDİNİZ.**

**⚠UYARI:** Ürünü kullanırken (defalarca kullanınca kazanılan) rahatlık ve tanıdıklık duygusunun ilgili ürünün güvenlik kurallarına sıkı sıkıya bağlı kalmanın yerine geçmesine İZİN VERMEYİN. YANLIŞ KULLANIM veya bu kullanma kılavuzunda belirtilen emniyet kurallarına uymama ciddi yaralanmaya neden olabilir.

## İŞLEVSEL NİTELİKLER

**⚠DİKKAT:** Alet üzerinde ayarlama ya da işleyiş kontrolü yapmadan önce aletin kapalı ve fişinin çekili olduğundan daima emin olun.

### Anahtar işlemi

**⚠DİKKAT:** Aleti fişe takmadan önce anahtar tetiğinin doğru çalıştığından ve bırakıldığında “OFF” (kapalı) konumuna döndüğünden emin olun.

► **Şek.1:** 1. Anahtar tetik 2. Kilitleme düğmesi

Aleti çalıştırmak için sadece anahtar tetiği çekin. Siz tetiği çektiğinizde dönüş hızı artar. Durdurmak için anahtar tetiği serbest bırakın. Sürekli çalıştırma için, anahtar tetiği çekin, kilitleme düğmesini itin ve ardından anahtar tetiği serbest bırakın. Aletin kilitli pozisyonda sürekli çalışma modundan çıkarmak için, anahtar tetiğini tamamen çekip sonra serbest bırakın.

**⚠DİKKAT:** Uzun süreli kullanım sırasında kullanıcının rahatlığı için anahtar “ON” (açık) konumuna kilitlenebilir. Anahtar “ON” (açık) konumunda kilitliken dikkatli olun ve aleti sıkı kavrayın.

**⚠DİKKAT:** Aleti anahtar açık olarak kilitli haldyken fişe takmayın. Alet desteksiz olarak çalışmaya başlayacaktır ve bu da kişisel yaralanma ya da arızalanmaya neden olabilir.

### Hız ayar kadranı

► **Şek.2:** 1. Hız ayar kadranı

Dönme hızı, hız ayar kadranı işaretlenmiş 1 ila 5 numaraları arasında çevrilerek değiştirilebilir. Kadran 5 numarası yönünde döndürüldükçe hız yükselir. Ve kadran 1 numarası yönünde döndürüldükçe hız düşer. Kadran üzerindeki numara ayarlarıyla yaklaşık dönme hızı arasındaki ilişki için tabloya bakın.

Numara	Dakikada devir	Titreşimli cebri dönüş modunda yastığın dakikadaki dönüş hızı
1	1.600	180
2	2.500	290
3	3.700	430
4	5.300	610
5	6.800	780

**ÖNEMLİ NOT:** Eğer alet uzun süre devamlı düşük hızlarda çalıştırılırsa, motor aşırı yüklenir ve bozulmaya neden olur.

**ÖNEMLİ NOT:** Hız ayar kadranı ancak 1 ila 5 arasındaki numaralara ayarlanabilir. 5 veya 1 numaranın ötesine ayar yapmaya çalışmayın, aksi halde hız ayar işlevi bozulabilir.

## Elektronik işlev

Elektronik işlevli aletlerin kullanımı aşağıda belirtilen özellikler nedeniyle daha kolaydır.

### Sabit hız kontrolü

Yükü koşulda bile dönüş hızı sabit kaldığı için iyi bir finiş elde etmek mümkün olur.

### Yumuşak başlatma özelliği

Başlatma sırasında oluşan sarsıntıya karşı yumuşak başlatma özelliği.

## Eylem modu seçme

Dönüş modunu değiştirmek için, değiştirme düğmesini döndürün.

► **Şek.3:** 1. Değiştirme düğmesi

**ÖNEMLİ NOT:** Düğmeyi her zaman tam olarak döndürün. Düğme orta konumda olursa, aleti çalıştıramazsınız.

**ÖNEMLİ NOT:** Alet açıkken eylem modunu değiştiremezsiniz.

## Titreşimli cebri dönüş modu

► **Şek.4**

Titreşimli cebri dönüş modu, yüzey işleme gibi kaba polisaj işlemleri için yastığın cebri dönüşle orbital olarak hareket etmesidir.

Titreşimli cebri dönüş modu için değiştirme düğmesini saatin aksi yönde döndürün.

## Titreşimli mod

► **Şek.5**

Titreşimli mod, hassas polisaj işlemleri için yastığın serbest dönüşle orbital olarak hareket etmesidir. Titreşimli mod için değiştirme düğmesini saat yönünde döndürün.

## MONTAJ

**⚠DİKKAT:** Alet üzerinde herhangi bir iş yapmadan önce aletin kapalı ve fişinin çekili olduğundan daima emin olun.

## Disk altlığının takılması

► **Şek.6:** 1. Disk altlığı 2. Altıgen anahtar

Disk altlığını milin üzerine yerleştirin ve ardından civatayı altıgen anahtarla saat yönünde döndürün.

**⚠DİKKAT:** Disk altlığının iyi bir şekilde sabitlenmediğinden emin olun. Gevşek bir ek parça dengesiz çalışacak ve kontrol kaybına neden olabilecek aşırı bir titreşime neden olacaktır.

## Yan kavrama kolunun takılması

### İsteğe bağlı aksesuar

► **Şek.7:** 1. Kapak 2. Yan kavrama kolu

Kapağı çıkarın ve yan kavrama kolunu alete sıkıca vidalayın.

Yan kavrama kolu aletin her iki yanına da takılabilir.

## Yastığın takılması ve çıkarılması

### İsteğe bağlı aksesuar

**⚠DİKKAT:** Polisaj işlemleri için sadece çengel halkalı sistemli yastıkları kullanın.

► **Şek.8:** 1. Yastık

Yastığı takmak için, önce yastığın ve disk altlığının çengel halkalı sistemi üzerindeki tüm kiri veya yabancı maddeleri giderin. Yastığı disk altlığına kenarları aynı hızda olacak şekilde takın.

Yastığı disk altlığından çıkarmak için, kenarından yukarı çekiverin.

**⚠DİKKAT:** Yastığın ve disk altlığının hizalı ve iyice sabitlenmiş olduğundan emin olun. Aksi takdirde, yastık aşırı titreşime neden olarak kontrol kaybına neden olabilir veya yastık aletten çıkıp fırlayabilir.

## KULLANIM

**⚠DİKKAT:** Polisaj işlemleri için sadece orijinal Makita yastıkları kullanın.

**⚠DİKKAT:** İş malzemesinin sabit ve dengeli durduğundan emin olun. Düşen nesnelere kişisel yaralanmaya neden olabilir.

**⚠DİKKAT:** Aleti kullanırken, aleti tek elinizle anahtar kolundan ve diğer elinizle ön kavrama kolundan (ya da yan koldan) sıkıca tutun.

**⚠DİKKAT:** Aleti uzun bir süre boyunca yüksek yükte çalıştırmayın. Bunu yapmak elektrik şoku, yangın ve/veya ciddi yaralanmalara neden olabilecek alet arızalarına yol açabilir.

**⚠DİKKAT:** Dönen kısma dokunmamaya dikkat edin.

**ÖNEMLİ NOT:** Aleti hiç bir zaman zorlamayın. Aşırı basınç polisaj işleminin verimliliğini azaltabilir, yastığa hasar verebilir veya aletin kullanım ömrünü kısaltabilir.

**ÖNEMLİ NOT:** Yüksek hızda sürekli çalıştırma çalışma yüzeyine zarar verebilir.

## Parlatma işlemi

► **Şek.9**

1. Yüzey işleme (Titreşimli cebri dönüş modu)

Kaba finişin yapılması için yün yastığı kullanın, ardından hassas finiş için sünger yastık kullanın.

2. Cila uygulama (Titreşimli mod)

Sünger yastık kullanın. Sünger yastığa veya çalışma yüzeyine cila uygulayın. Cilayı pürüzsüzleştirmek için aleti düşük hızda çalıştırın.

**⚠DİKKAT:** Aşırı miktarda cila ya da polisaj malzemesi uygulamayın. Bunu yapmak daha fazla toz oluşumuna ve göz ve solunum yolu hastalıklarına neden olabilir.

**NOT:** Cilayı ilk önce çalışma yüzeyinin göze çarpmayan bir kısmında test edin. Aletin yüzeyi çizmediğinden veya muntazam cilalama yaptığından emin olun.

3. Cila çıkarma (Titreşimli mod)

Başka bir sünger yastık kullanın. Cilayı gidermek için aleti çalıştırın.

4. Polisaj işlemi (Titreşimli mod)

Keçe yastığı çalışma yüzeyine hafifçe uygulayın.

## BAKIM

**⚠DİKKAT:** Muayene ya da bakım yapmadan önce aletin kapalı ve fişinin çekili olduğundan daima emin olun.

**ÖNEMLİ NOT:** Benzin, tiner, alkol ve benzeri maddeleri kesinlikle kullanmayın. Renk değişimi, deformasyon veya çatlaklar oluşabilir.

## Toz kapaklarının temizlenmesi

► **Şek.10:** 1. Toz kapağı

Kesintisiz bir hava dolaşımı sağlamak için hava deliklerinin üzerindeki toz kapaklarını düzenli aralıklarla temizleyin. Toz kapaklarını çıkarın ve ızgarayı temizleyin.

Aleti EMNİYETLİ ve ÇALIŞMAYA HAZIR durumda tutmak için onarımlar, karbon fırça muayenesi ve değiştirilmesi, başka her türlü bakım veya ayarlamalar daima Makita yedek parçaları kullanılarak Makita Yetkili Servis Merkezleri ya da Fabrika Servis Merkezleri tarafından yapılmalıdır.

## İSTEĞE BAĞLI AKSESUARLAR

**⚠DİKKAT:** Bu aksesuarlar ve ek parçalar bu el kitabında belirtilen Makita aletiniz ile kullanılmak için tavsiye edilmektedir. Herhangi başka bir aksesuar ya da ek parça kullanılması insanlar için bir yaralanma riski getirebilir. Aksesuarları ya da ek parçaları yalnızca belirtilmiş olan kullanım amaçlarına uygun olarak kullanın.

Bu aksesuarlarla ilgili daha fazla bilgiye ihtiyaç duyar-  
sanız bulunduğunuz yerdeki yetkili Makita servisine  
başvurun.

- Yan kavrama kolu
- Disk altlığı
- Yün yastık
- Sünger yastık
- Keçe yastık

**NOT:** Listedeki parçaların bazıları alet paketi içeri-  
sinde standart aksesuar olarak dahil edilmiş olabilir.  
Bunlar ülkeden ülkeye farklılık gösterebilir.

**Makita Europe N.V.** Jan-Baptist Vinkstraat 2,  
3070 Kortenberg, Belgium

**Makita Corporation** 3-11-8, Sumiyoshi-cho,  
Anjo, Aichi 446-8502 Japan

[www.makita.com](http://www.makita.com)

885503-990  
EN, FR, DE, IT, NL,  
ES, PT, DA, EL, TR  
20160405