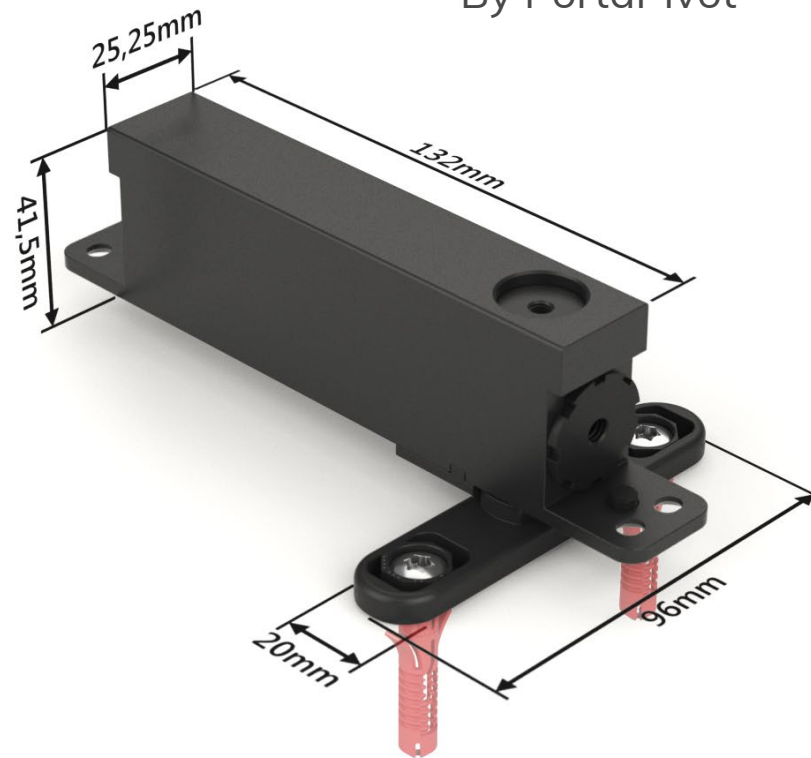


STEALTHPIVOT

By PortaPivot



ASSEMBLY & INTEGRATION StealthPivot NL

For door leafs up to 1250 mm and 75 kg

Stealth Pivot NL – Technical specifications

Functionality:

180° swing operation with a silent 90° hold function
90° / 0° / -90°

Maximum weight & dimensions:

75 kg - 165 lbs
Max. door width 1250 mm
(approx. 49.21 inches | 25.4 mm = 1 inch)

Closure force:

Adaptable with 2 sets of Suspa gas springs, rated at 300N and 400N. The hinge is equipped with 300N out of the box.

The additional gas springs are sold separately, but extensive testing has proven that 300N is the most adequate all-round setup.

The closing force is influenced by environmental aspects such as room and joint dimensions, air tightness, overall weight of the door,... and has to be adjusted accordingly by trial and error. The gas springs are exchangeable to adjust the closing force of the hinge as necessary.

Suitable for:

Interior doors made from any type of material, with a minimal thickness of 30 mm, for hinge integration purposes.

Swing operation:

180° swing operation with a silent 90° hold function in all swing directions 90° / 0° / -90°

We include a magnetic 2-way door positioning accessory that can be fitted on top of the door with a small counterpart against the ceiling for positioning purposes. We also include an optional 1-way accessory. This 1-way configuration both positions the door at 0° and blocks the door when 1-way 90° swing operation is necessary or desired.

Minimum pivot point distance:

The axis point can be positioned at either 80 mm or 178 mm by simply turning the hinge around in the cavity inside the door panel.

Closed door positioning (0°)

The self-closing technology will position the door at 0° when installed perfectly. The hinge mounts feature a correction & adjustability system with octagonal bolts to fine-tune the door leaf position at 0° after initial installation. We also include a set of magnets to ensure that the positioning at 0° is guaranteed after installation. Installation of the magnet(s) accessories are optional.

Joint dimensions:

The advised joint dimensions are based on a completely square (rectangular) opening. Please read our detailed instructions regarding dimensions & joint calculation in the instruction manual.

Bottom: 11 mm

Top: 12.5 mm (necessary for optional magnets & 1-way)

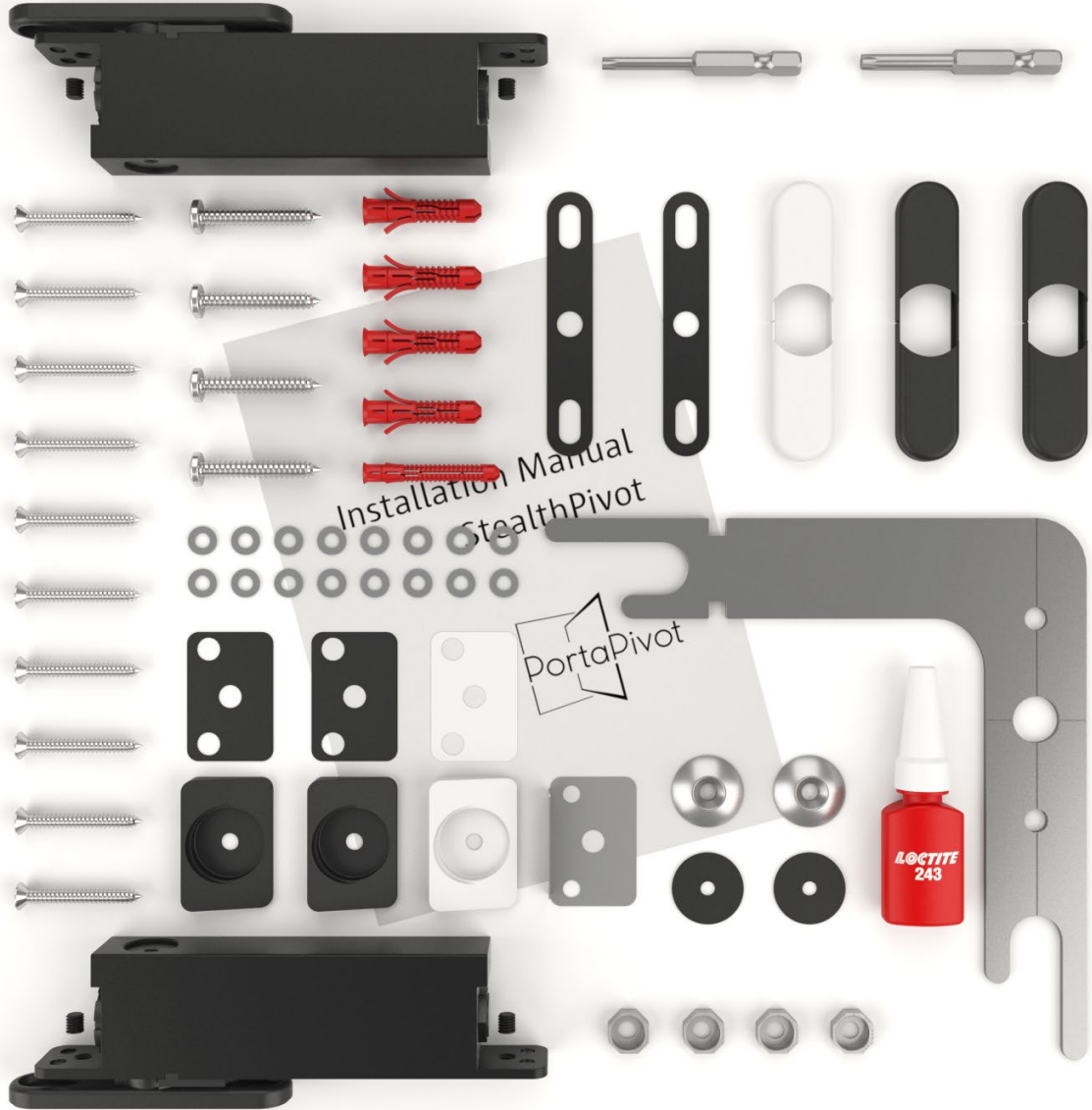
Left and right: 4 - 5 mm advised (up to 50 mm thick panel)

Larger panels need to be recalculated accordingly

2 year manufacturers Guarantee - Warranty

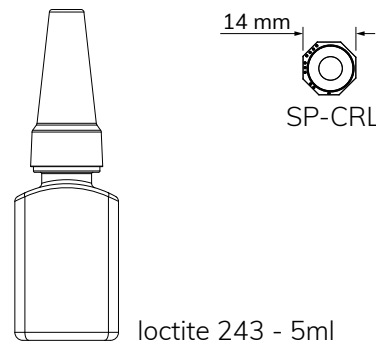
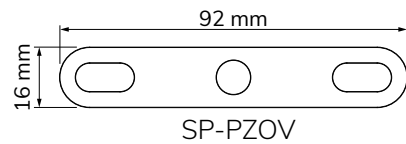
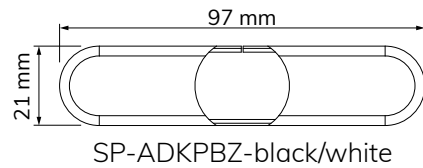
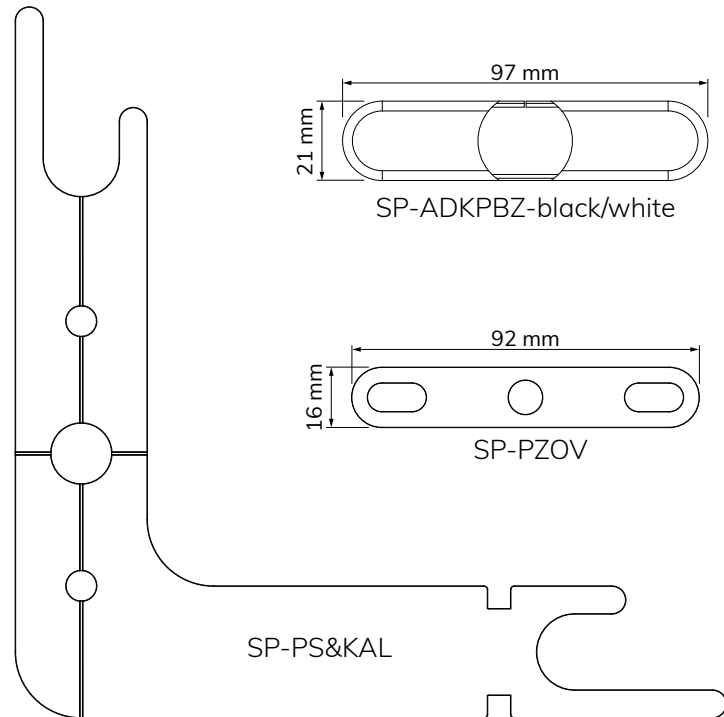
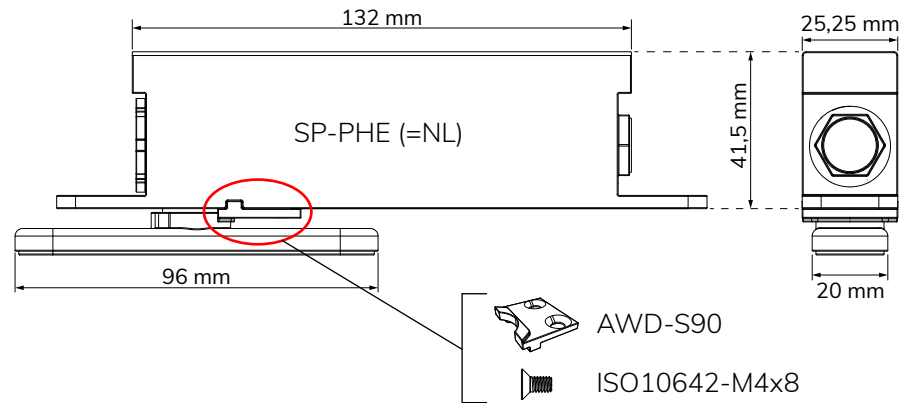
Portapivot will warrant and guarantee the proper performance of its products for a period of 2 years (24 months), following the date of your order receipt, provided that our products are installed in accordance with the instructions.

Stealth Pivot NL complete kit content

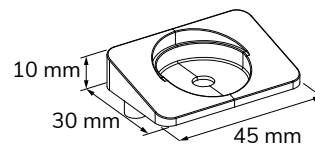


'Complete' kit content is displayed, but 'Essential' or 'Basic' kits are also available at www.portapivot.com

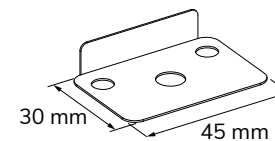
Stealthpivot NL 'Complete' kit parts



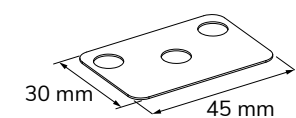
PAP-1WAY-black/white





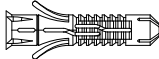

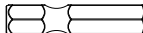

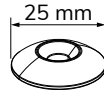
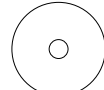


PAP-1WBUP

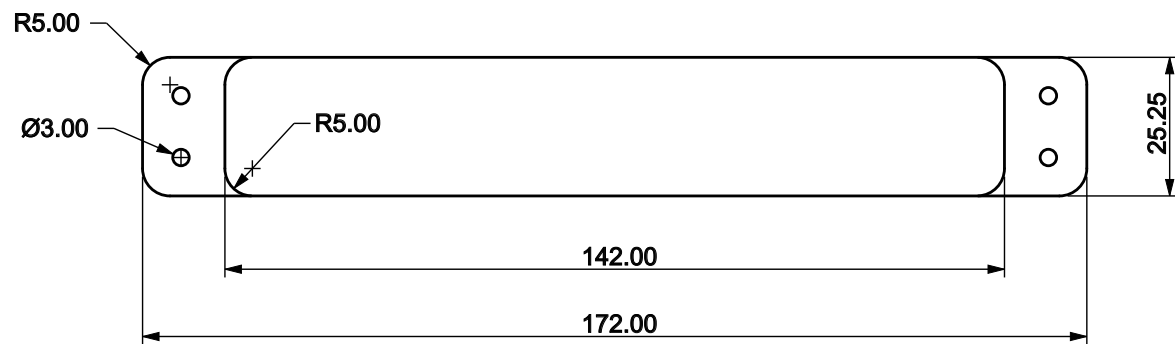
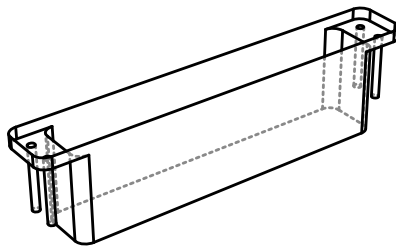
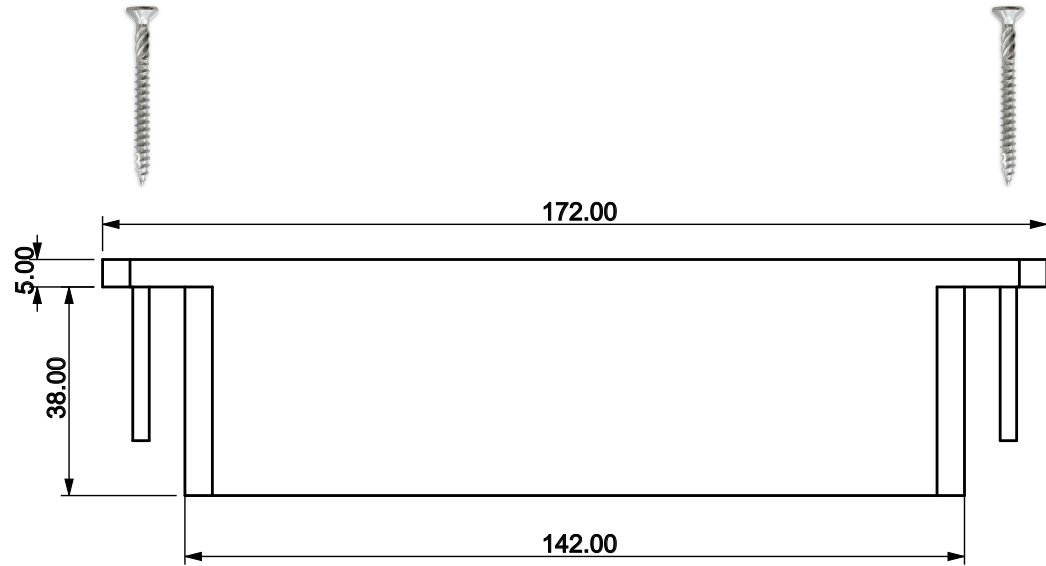
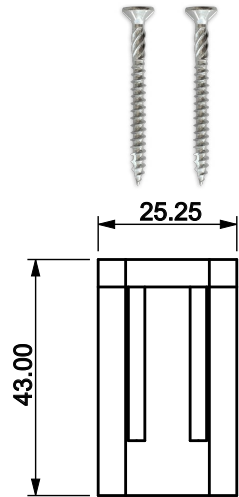


PAP-1WAYWW-black/white

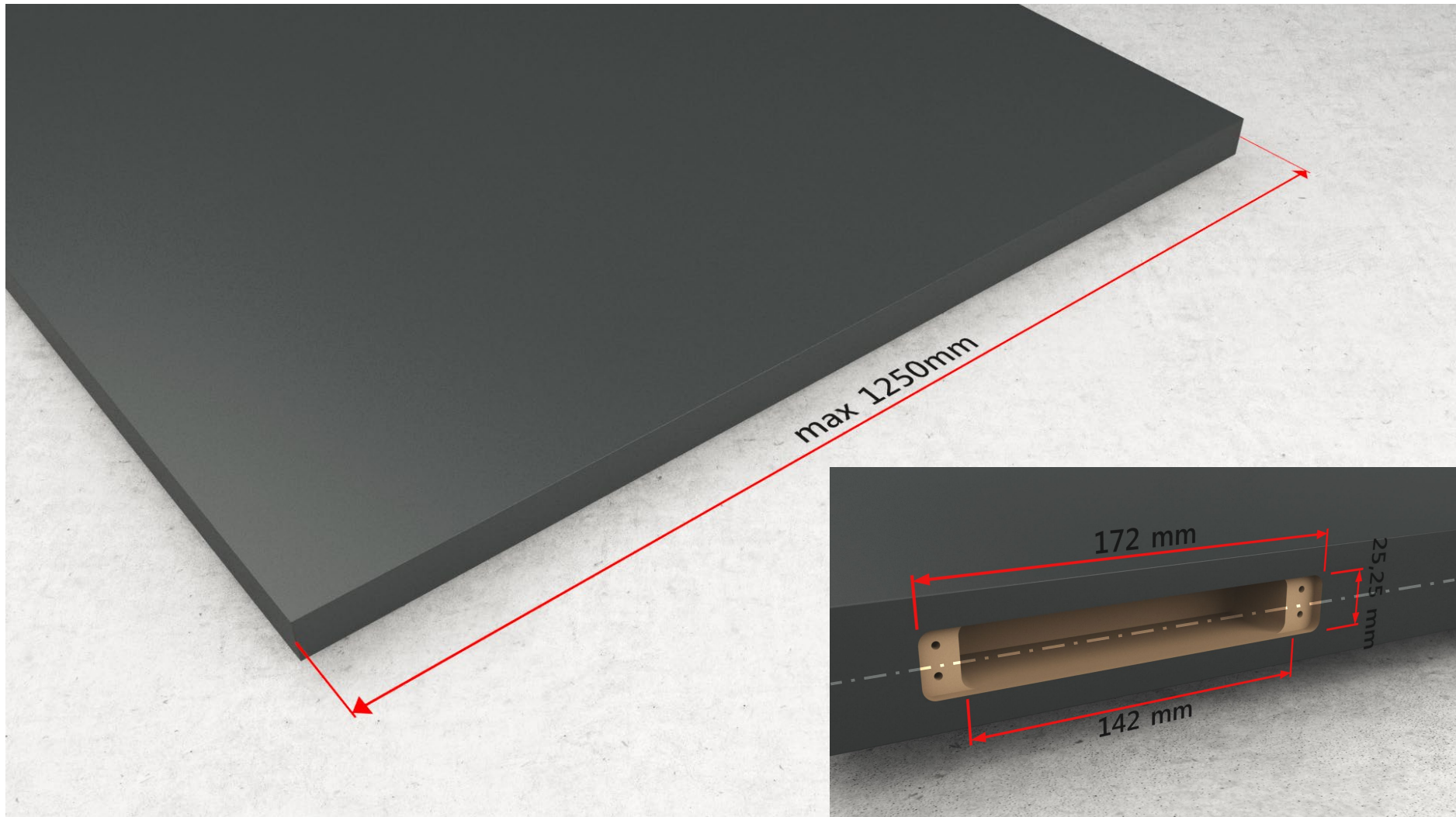


-  DIN916-M6x8
-  DIN 988-5x10x1 (shims)
-  Maxxfast VK 4,5x50
-  Maxxfast CK 6x50
-  Hiltiplug HUD-1 8x40
-  Hiltiplug HUD-1 6x50
-  TORX BIT TX 20 C6.3
-  TORX BIT TX 25 C6.3
-  Magneteet 25x5 - north/south
-  carrossiering M5x25

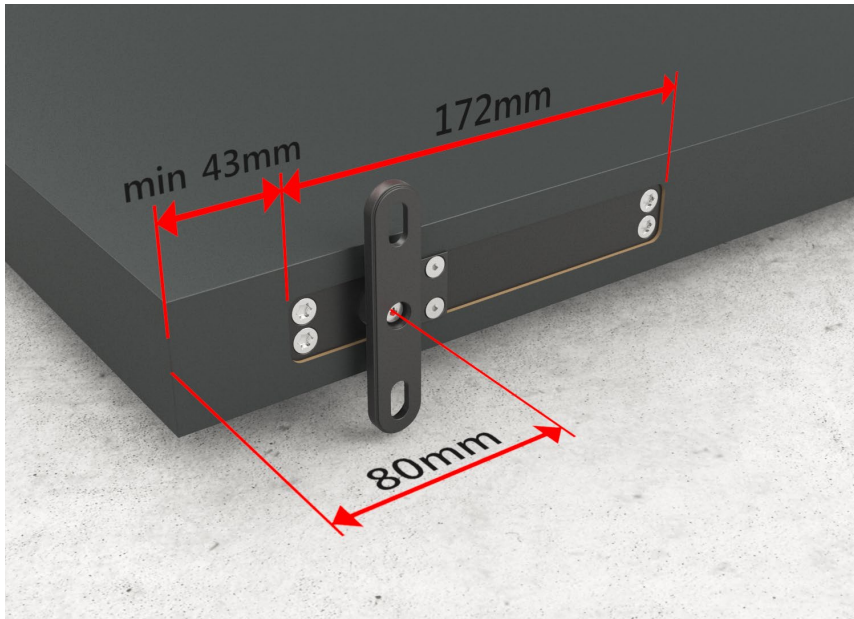
Stealth Pivot NL cavity dimensions



Stealth Pivot NL integration



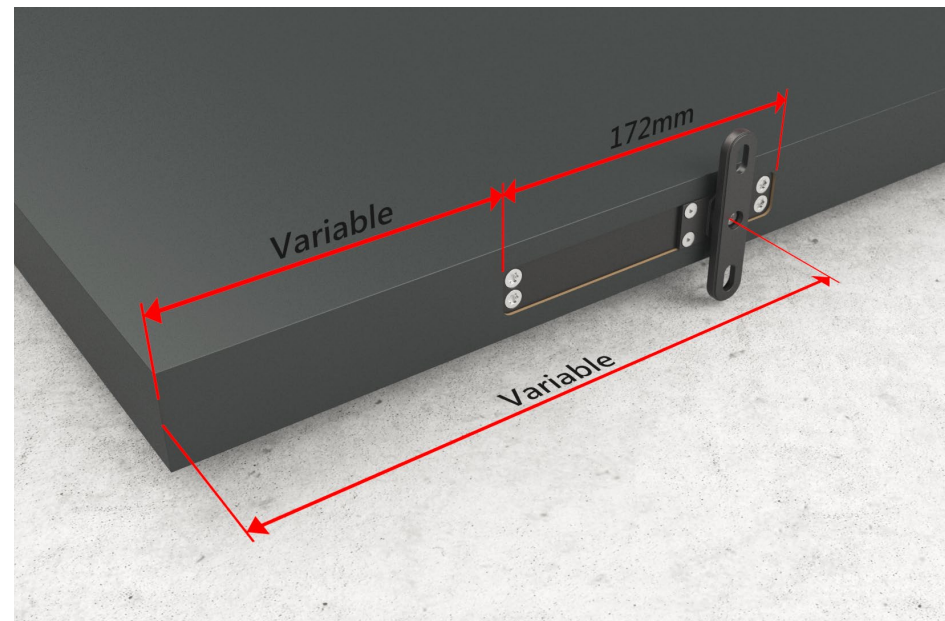
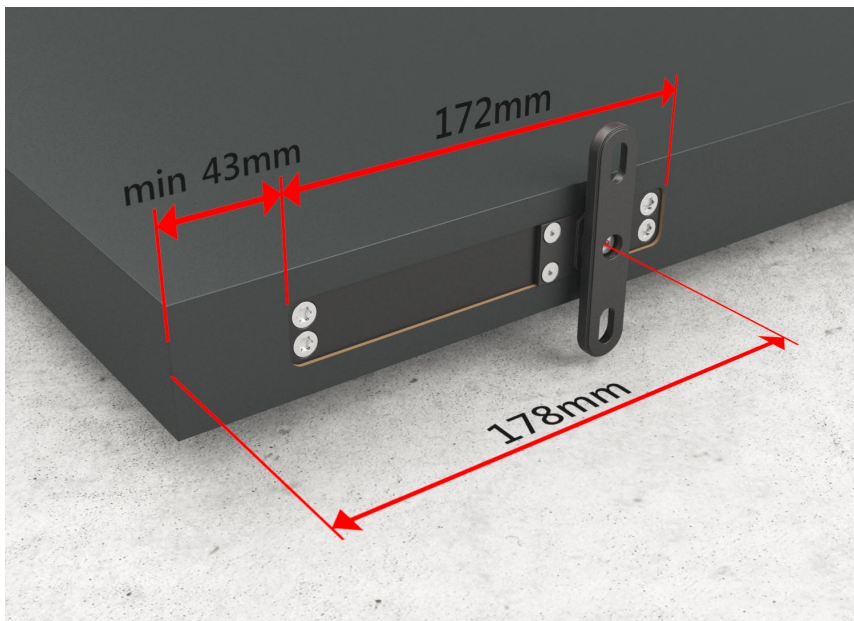
For locally purchased or manufactured door leafs up to 1250 mm wide



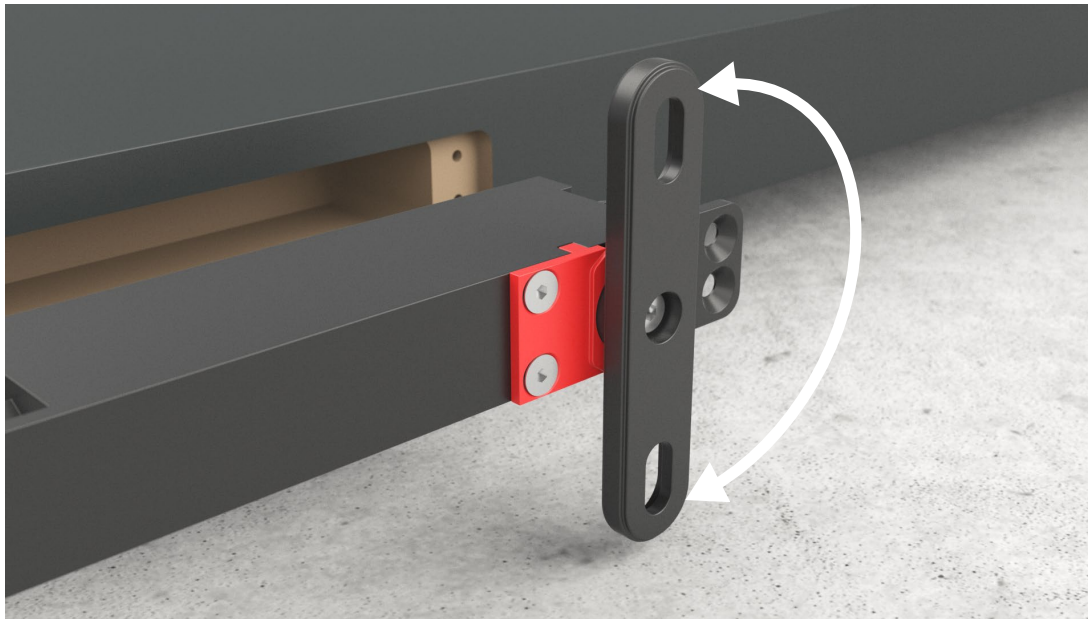
We advise the pivot axis to be placed at a minimum of 80 mm from the door leaf edge.

Turning over the hinge brings the pivot axis to 178mm from the door leaf edge.

Any other desired pivot location is possible!

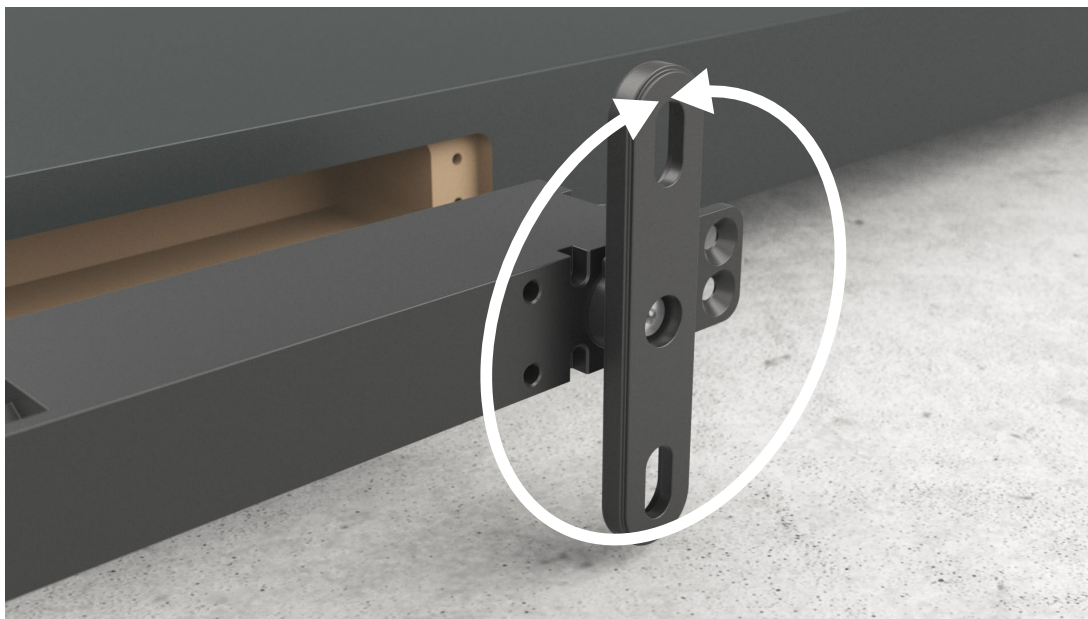


S90 accessory



The S90 pivot stop guarantees a door operation of 180° and blocks the door from opening further than +90° or -90°

Standard for all axis positions



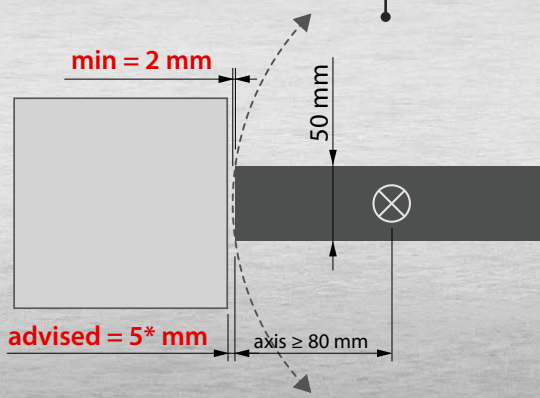
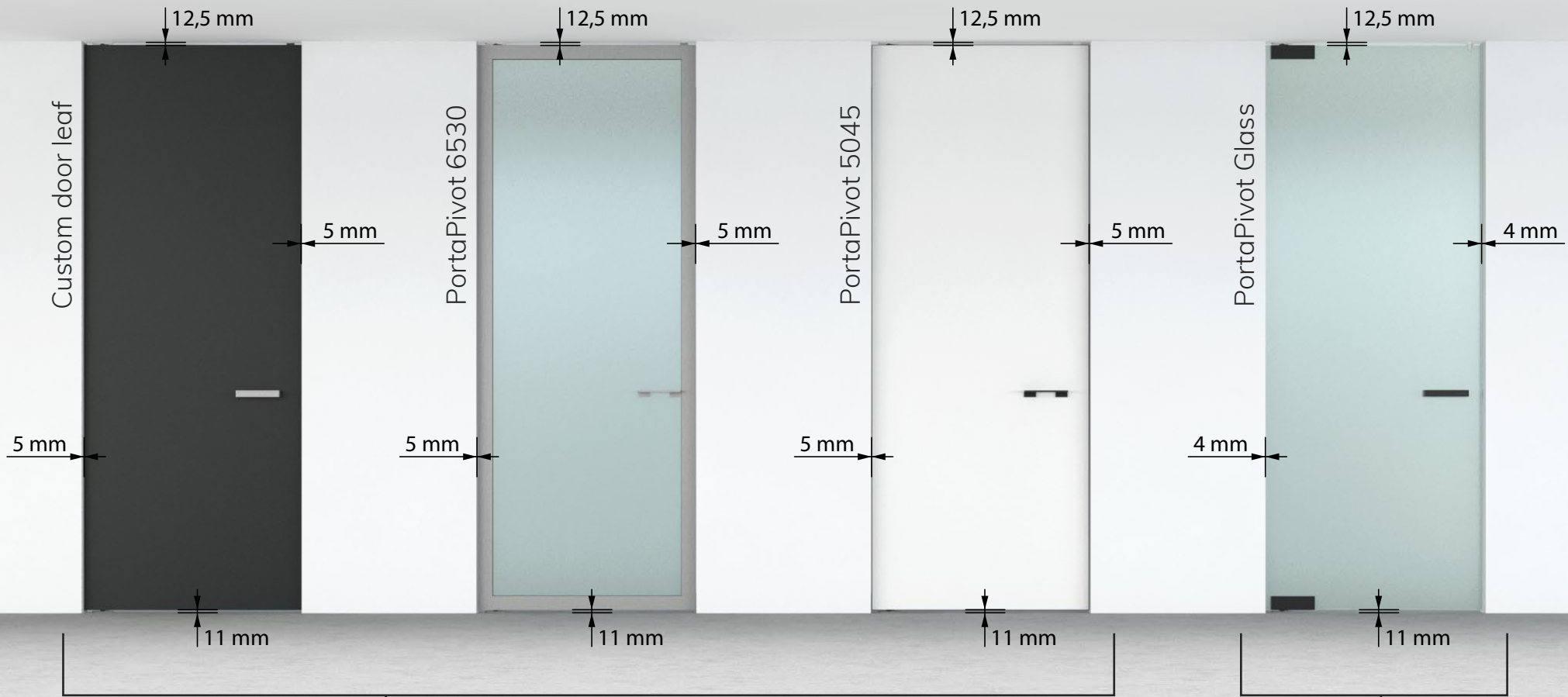
For unlimited 360° rotation, simply remove the S90 stop.

360° advised for StealthPivot in a central axis setup

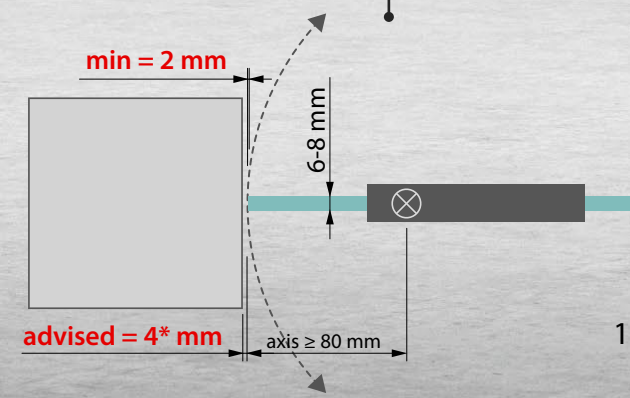
Make sure to mount both pivot hinges correctly on top and bottom



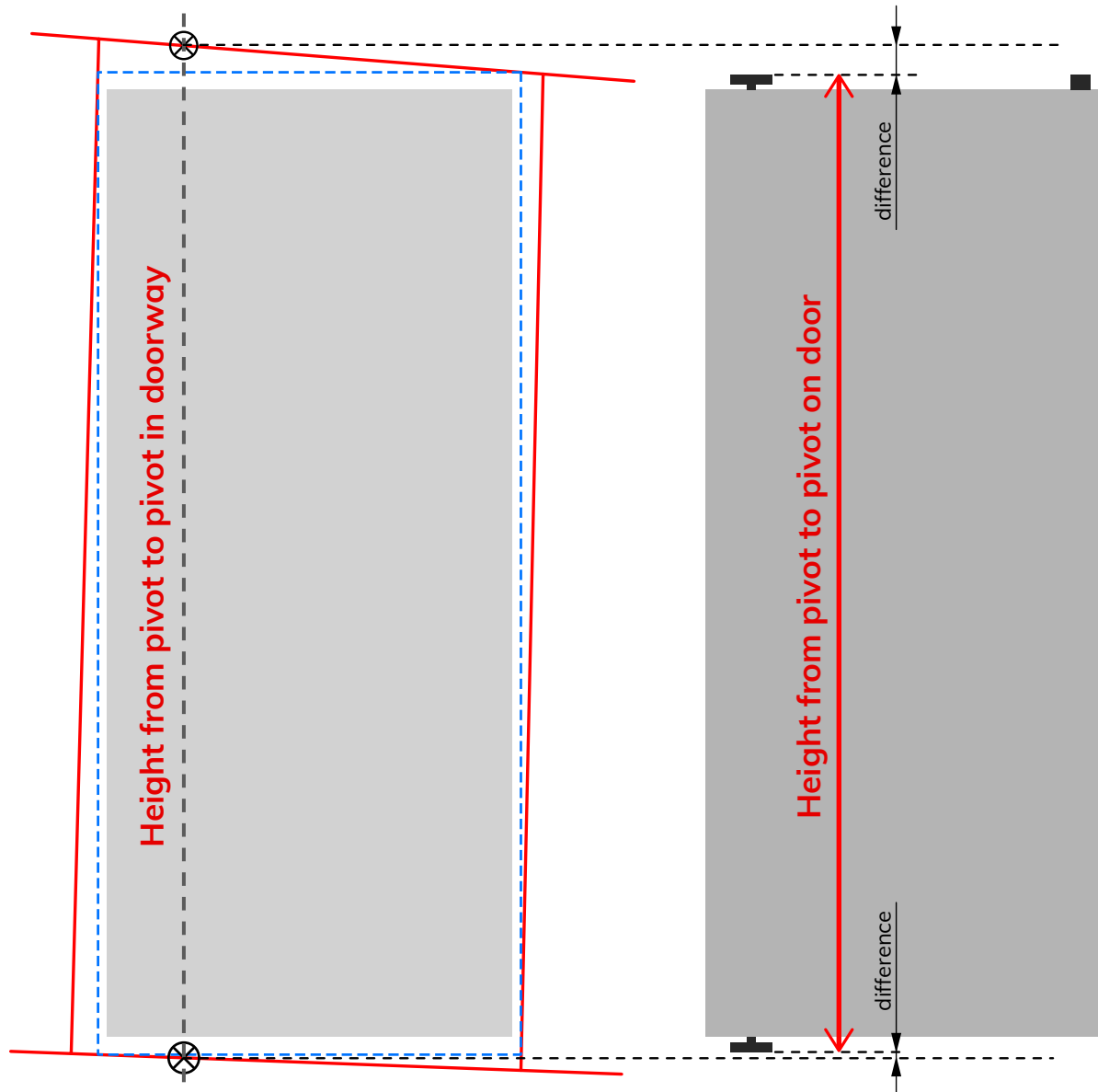
Advised joint dimensions



For thicker door leaves or panels, you have to recalculate the left and right joint dimensions in relation to the pivot axis distance.

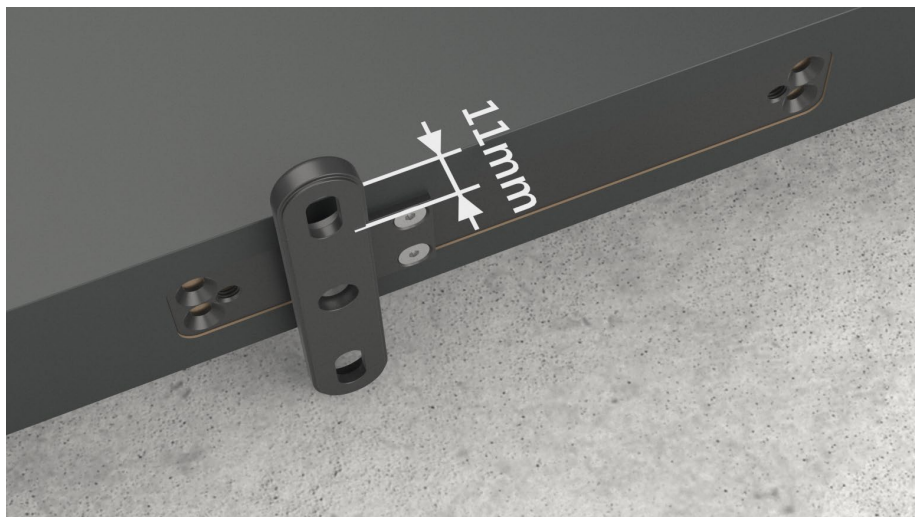


Synchronize pivot axis height in doorway



Check the pivot height of the door with the doorway measurements, and synchronize them if necessary.

There are different methods to do this, see following pages.



Adjust bottom hinge height

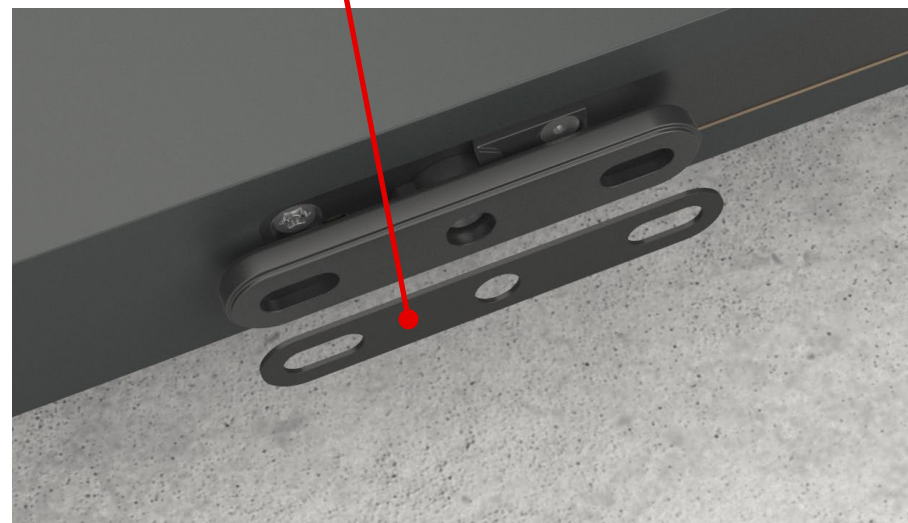
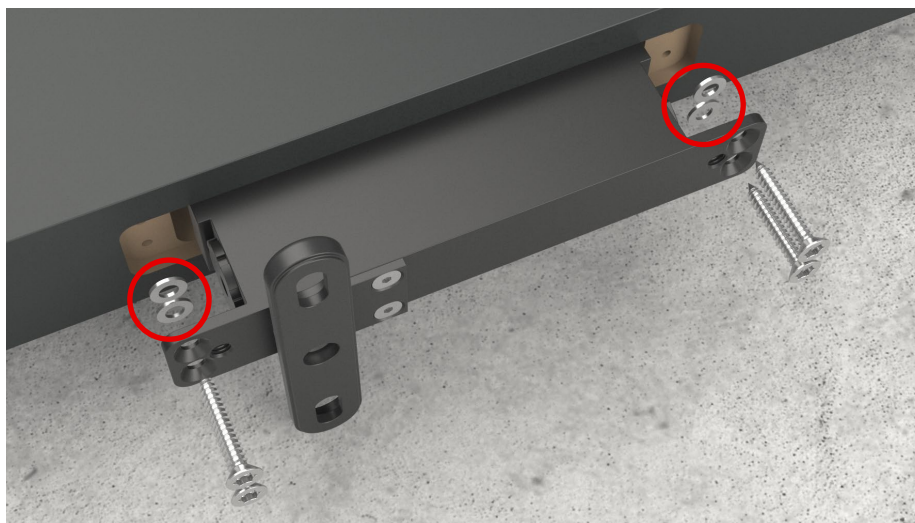
The default bottom joint dimension is 11 mm (=distance between floor and door leaf edge).



To increase the bottom joint, you have 2 options:

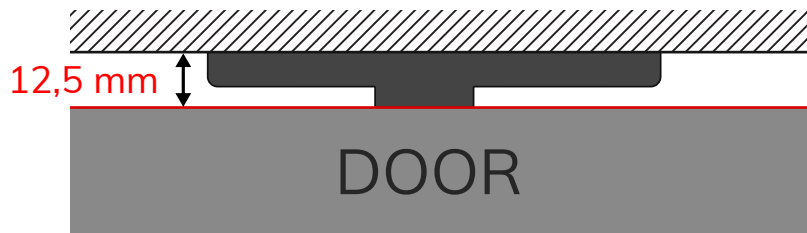
1. Use (supplied) shims between hinge and door leaf. This is the preferred method for the bottom hinge.

2. Use supplied shims between floor and hinge (= less stable).



Adjust top hinge height

The default top joint dimension is 12,5 mm (=distance between ceiling and door leaf edge). This is necessary for the optional 1-way accessory and positioning magnets

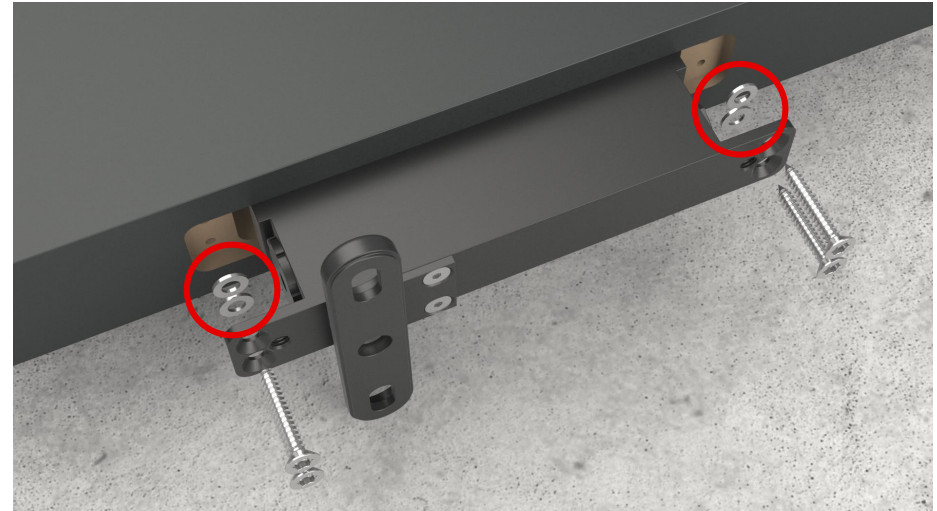


To increase the top joint, you have **3 options**:

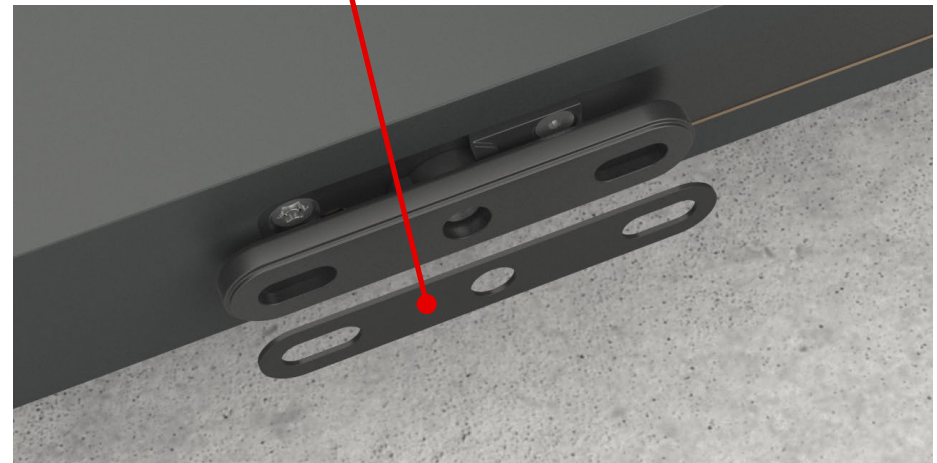
1. Adjust the inbus screws to move the hinge further away from the door leaf (loosen 4 screws first). (only possible for non compressable door structure)



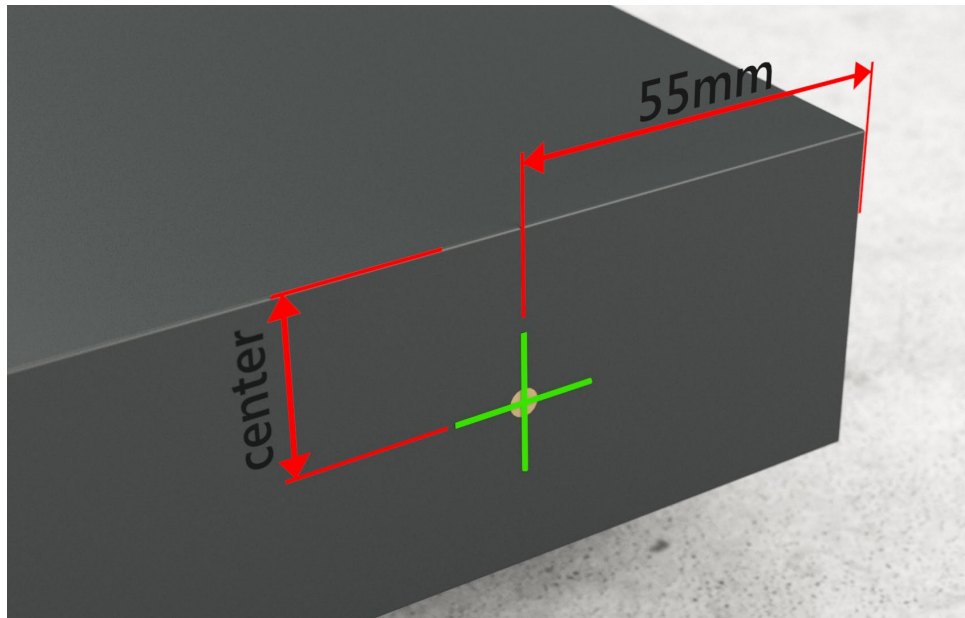
2. Use (supplied) shims between hinge and door leaf.



3. Use supplied shims between ceiling and hinge (= less stable).



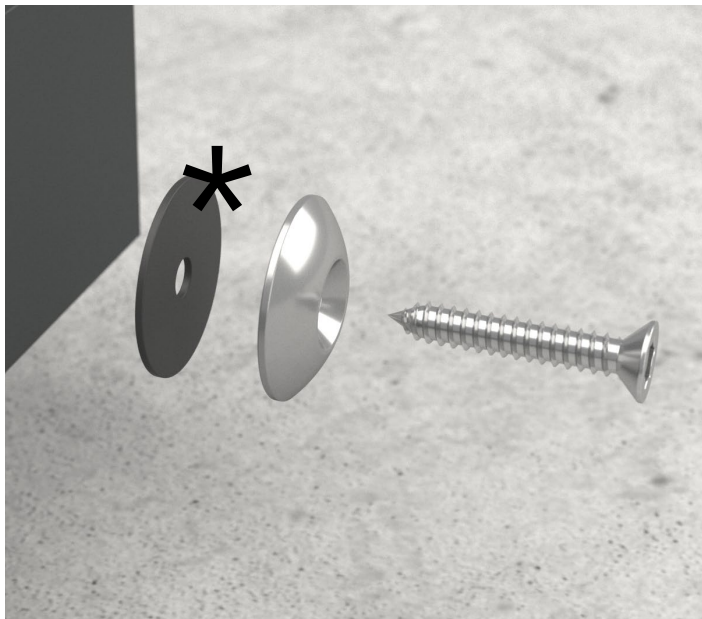
Optional 0° positioning magnets on door leaf



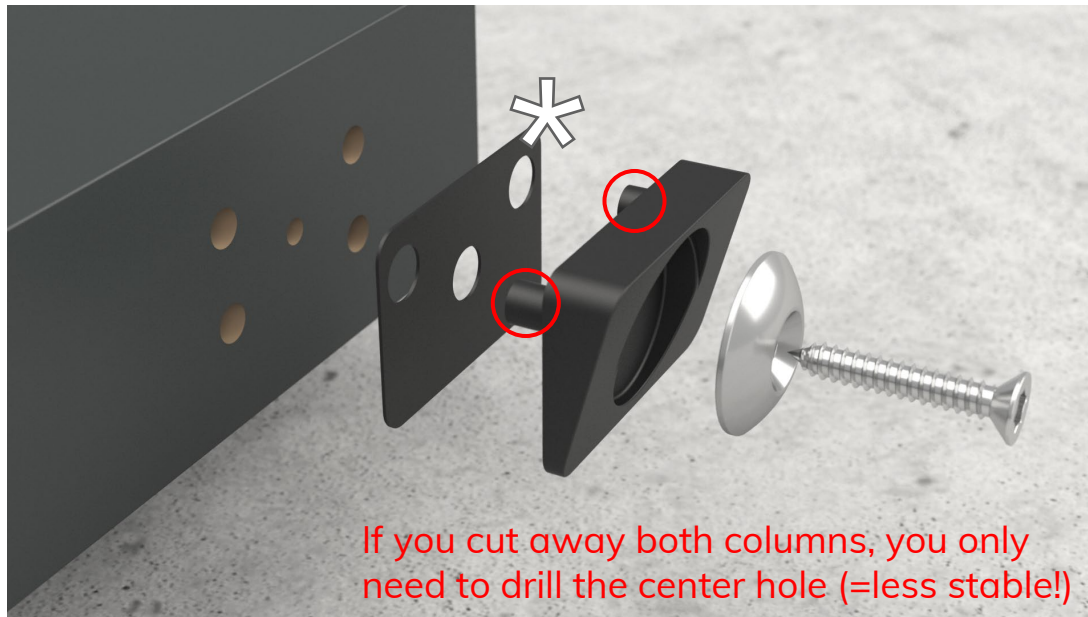
Mark and drill a hole into the door leaf, at least 55 mm away from the door leaf edge.

Install the optional positioning magnet with the supplied screw.

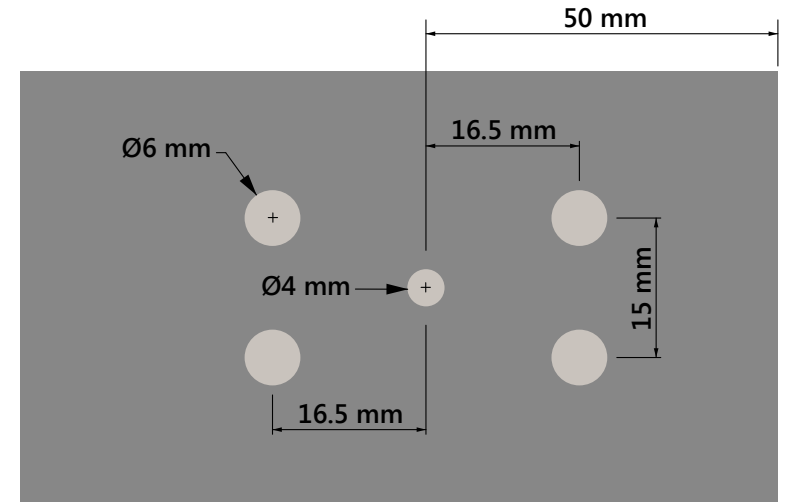
*If necessary, use optional supplied shims for height adjustments of the magnets on door leaf or ceiling.



Optional 1-way on door leaf



Mark and drill the holes for the 1-way part into the door leaf according to pattern below:

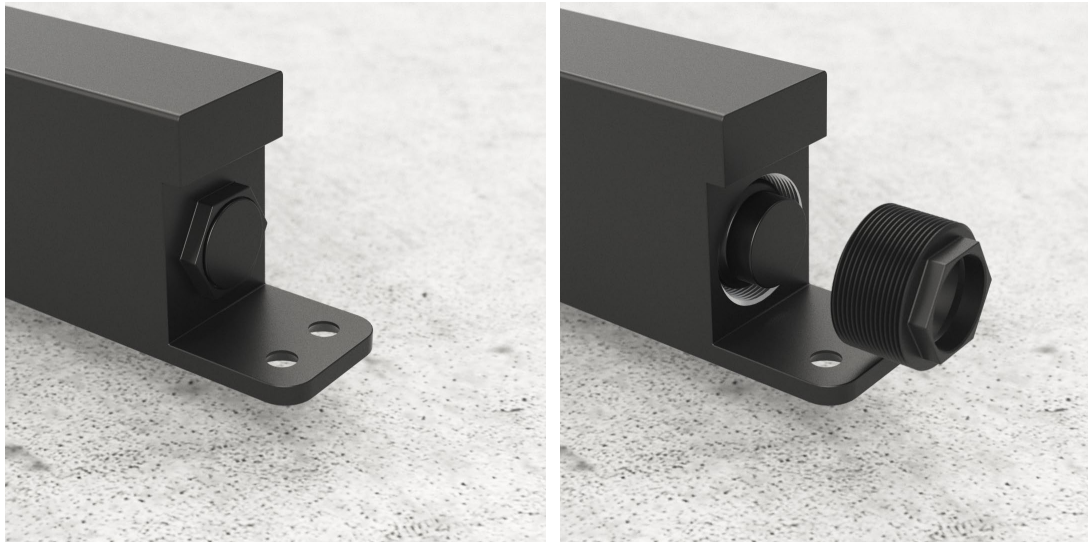


Install the optional 1-way under the magnet with the supplied screw.

*If necessary, use optional supplied shims for height adjustments of the magnets on door leaf or ceiling.



Adjustable closing force



The pivot closing force can be adjusted by changing the default gas springs.

Screw off the end cap, remove the gas springs and replace it.

Screw the cap back on.



StealthPivot set:
Default = 2x 300N

Optional* = 2x 400N or 2x 500N

*Can be purchased separately on our website
www.portapivot.com

For further instructions on how to install
the fully assembled door in your doorway,
please refer to the DOOR INSTALLATION MANUAL