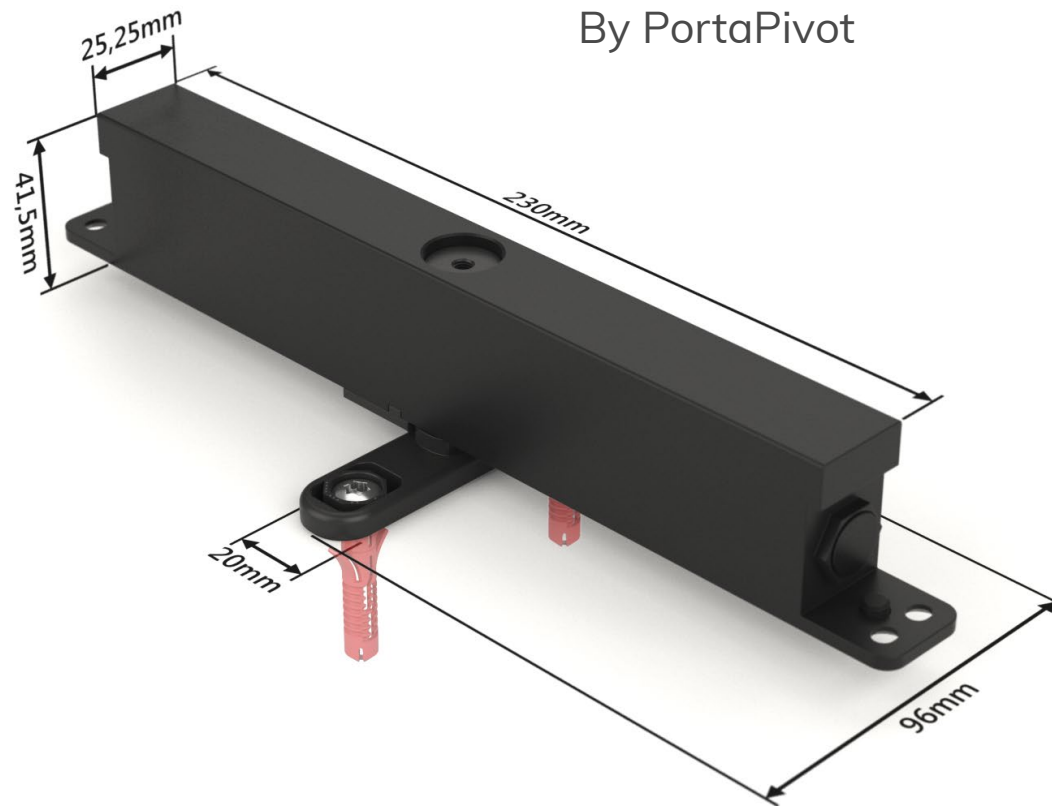


STEALTHPIVOT

By PortaPivot



ASSEMBLY & INTEGRATION StealthPivot XL

For door leafs up to 2250 mm and 150 kg

Patented technology

Stealth Pivot XL – Technical specifications

Functionality:

180° or 360° swing operation with a silent 90° hold function
90° / 0° / -90°

Maximum weight & dimensions:

150 kg - 330 lbs
Min. door width 1250 mm - max. door width 2250 mm
(approx. 49.21 inches - 88.58 inches | 25.4 mm = 1 inch)

Closure force:

Adaptable with 3 sets of Suspa gas springs, rated at 300N, 400N and 500N.
The hinge is equipped with 400N out of the box.

The additional gas springs are sold separately, but extensive testing has proven that 400N is the most adequate all-round setup.

The closing force is influenced by environmental aspects such as room and joint dimensions, air tightness, overall weight of the door,... and has to be adjusted accordingly by trial and error. The gas springs are exchangeable to adjust the closing force of the hinge if necessary.

Suitable for:

Interior doors made from any type of material, with a minimal thickness of 30 mm, for hinge integration purposes.

Swing operation:

180° or 360° swing operation with a silent 90° hold function in all swing directions 90° | -90°

We include a magnetic 2-way door positioning accessory that can be fitted on top of the door with a small counterpart against the ceiling for positioning purposes. We also include an optional 1-way accessory. This 1-way configuration both positions the door at 0° and blocks the door when 1-way 90° swing operation is necessary or desired.

Minimum pivot point distance:

Offset axis:

Doors up to 1300 mm wide at 250 mm
Doors wider than 1300 mm at 1/3 of the door width

Central axis:

Doors with a central axis position can swing 180° or 360°.
The swing operation is set at 180° out of the box, but can be switched to 360° by simply removing the locking plate S90 with 2 screws.

Closed door positioning (0°)

The self-closing technology will position the door at 0° when installed perfectly. The hinge mounts feature a correction & adjustability system with octagonal bolts to fine-tune the door leaf position at 0° after initial installation. We also include a set of magnets to ensure that the positioning at 0° is guaranteed after installation. Installation of the magnet(s) accessories are optional.

Joint dimensions:

The advised joint dimensions are based on a completely square (rectangular) opening. Please read our detailed instructions regarding dimensions & joint calculation in the instruction manual.

Bottom: 11 mm

Top: 12.5 mm (necessary for optional magnets & 1-way)

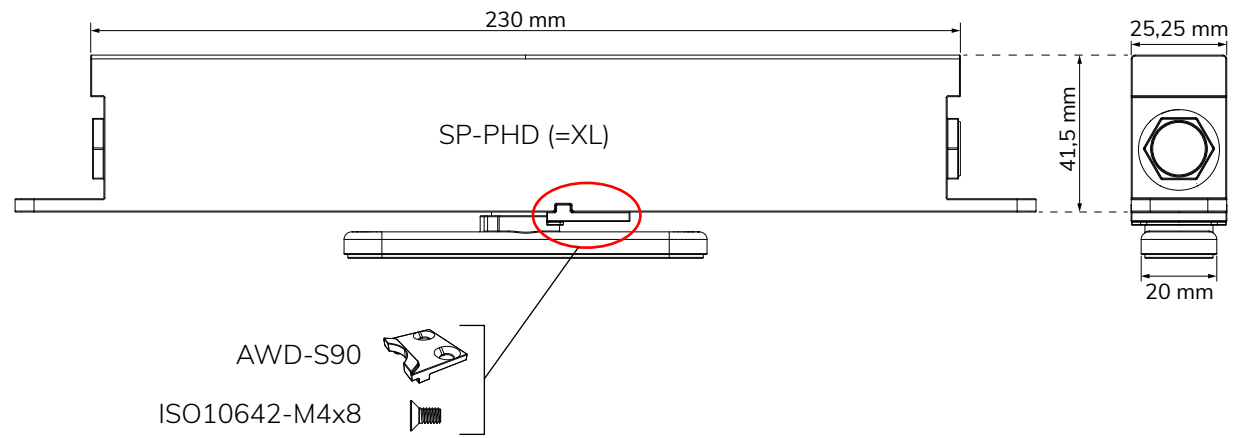
Left and right: 4 - 5 mm advised (up to 50 mm thick panel)





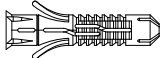

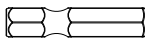
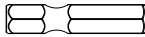
Larger panels need to be recalculated accordingly

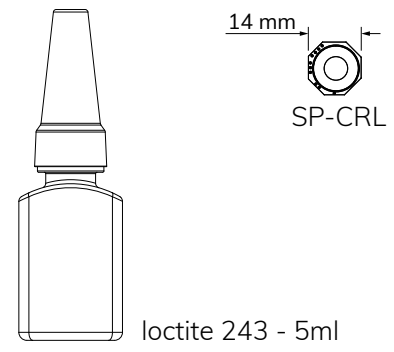
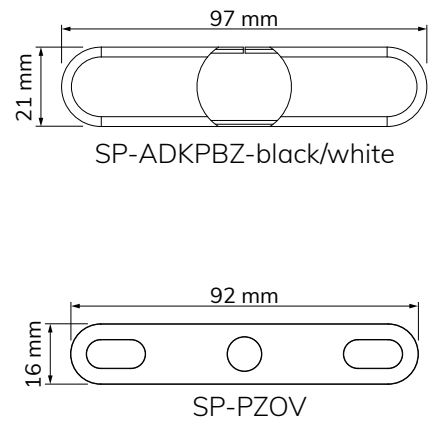
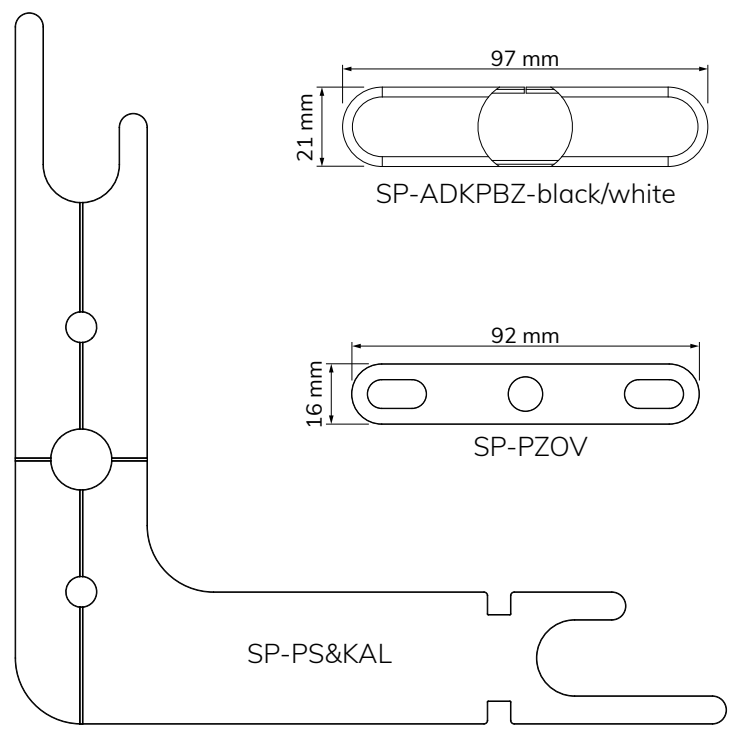
2 year manufacturers Guarantee - Warranty


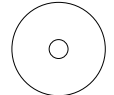
Portapivot will warrant and guarantee the proper performance of its products for a period of 2 years (24 months), following the date of your order receipt, provided that our products are installed in accordance with the instructions.

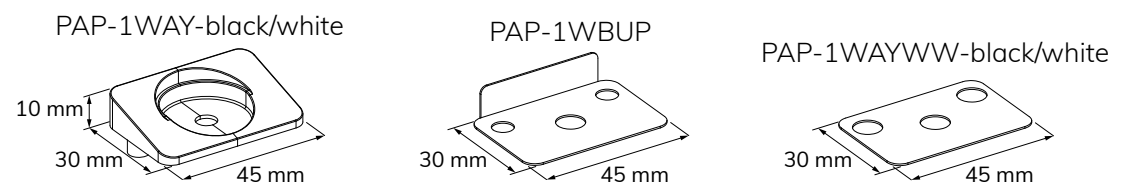
Stealthpivot XL 'Complete' kit parts



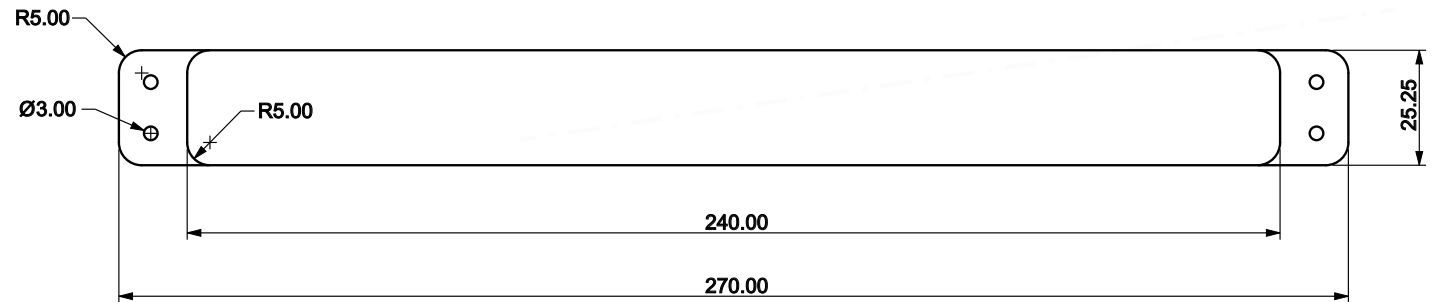
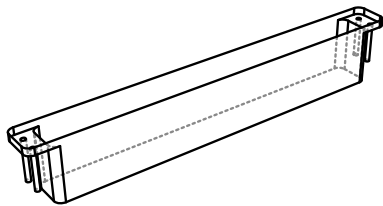
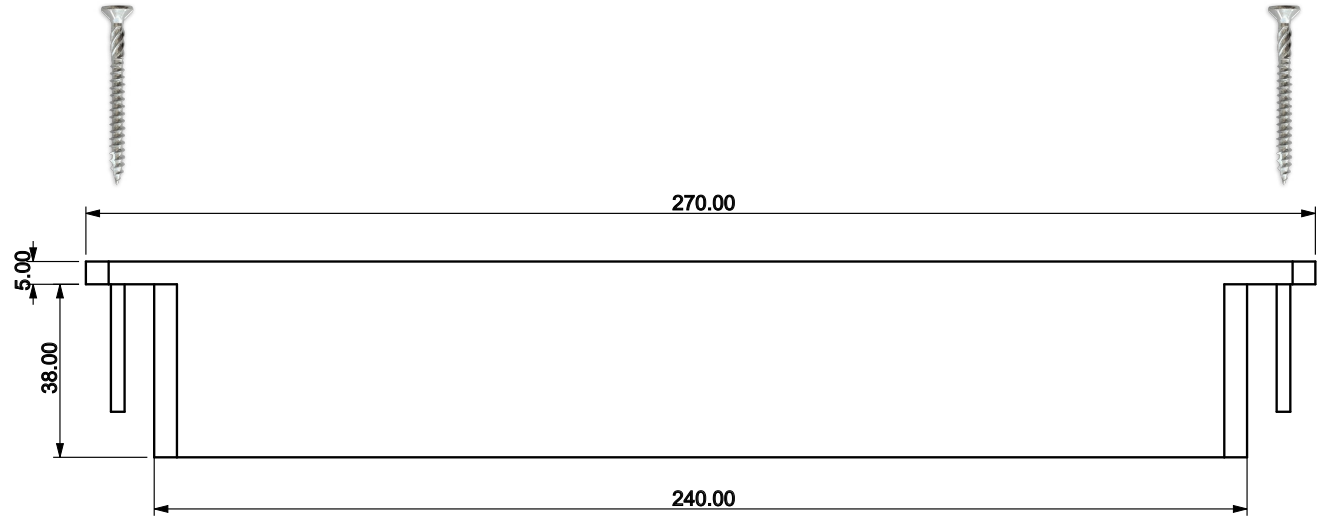
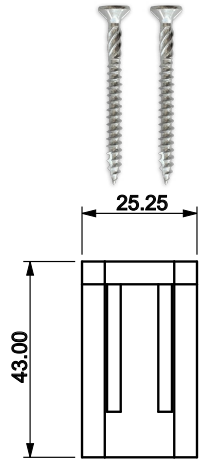
-  DIN916-M6x8
-  DIN 988-5x10x1 (shims)
-  Maxxfast VK 4,5x50
-  Maxxfast CK 6x50
-  Hiltiplug HUD-1 8x40
-  Hiltiplug HUD-1 6x50
-  TORX BIT TX 20 C6.3
-  TORX BIT TX 25 C6.3



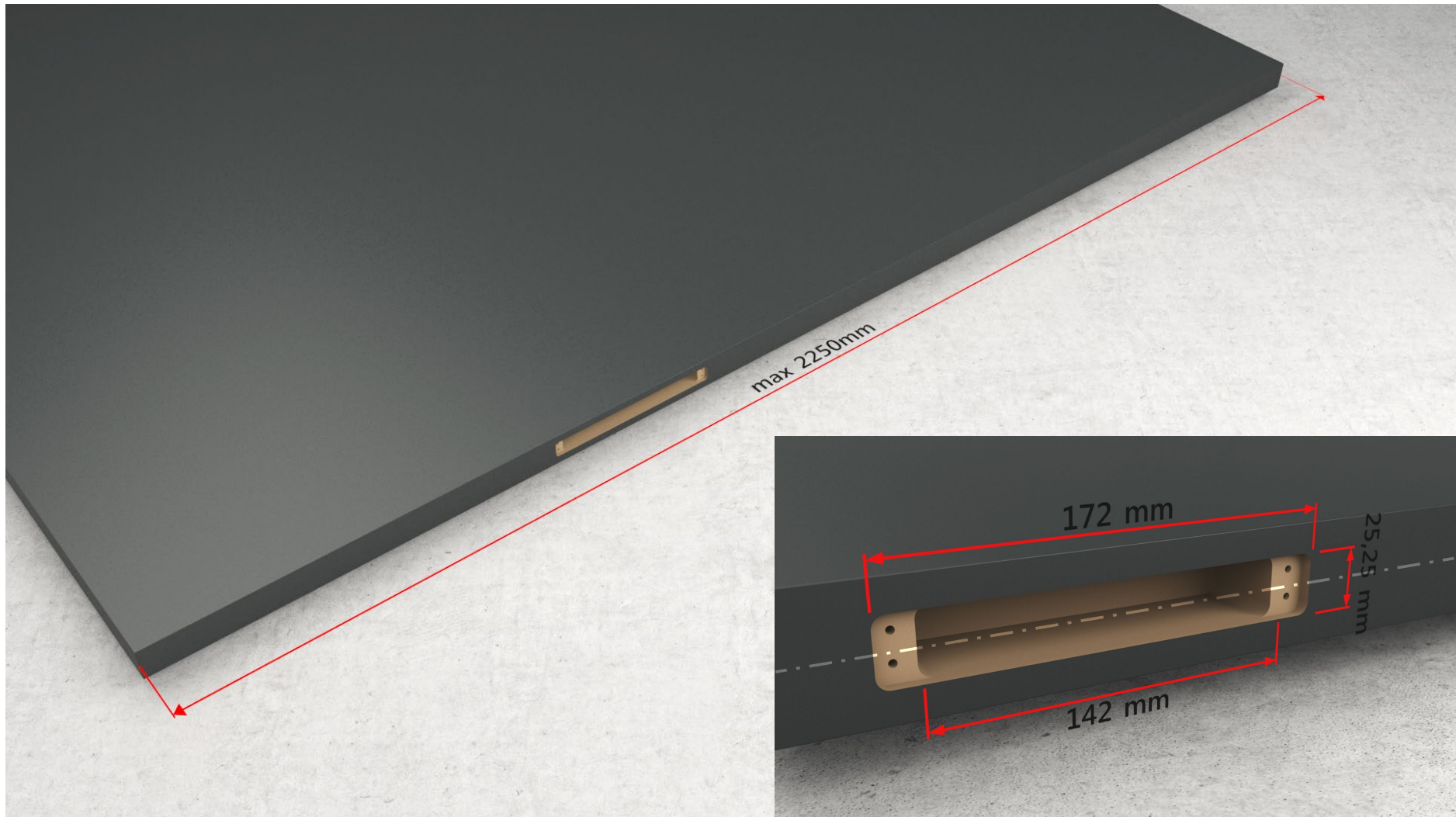
-  25 mm
Magneet 25x5 - north/south
-  carrossiering M5x25



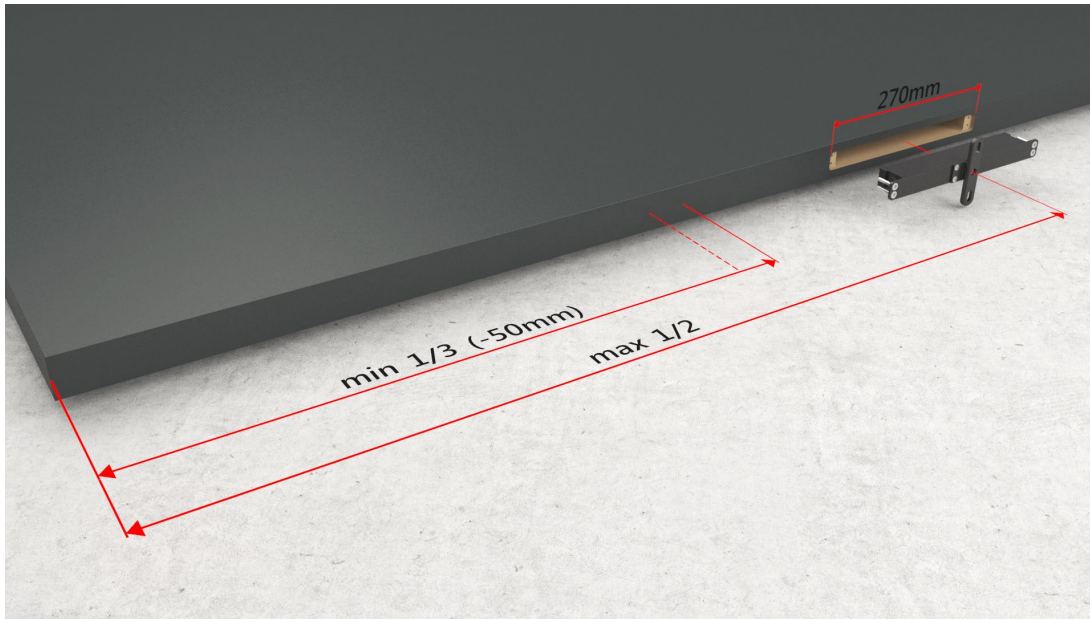
Stealth Pivot XL cavity dimensions



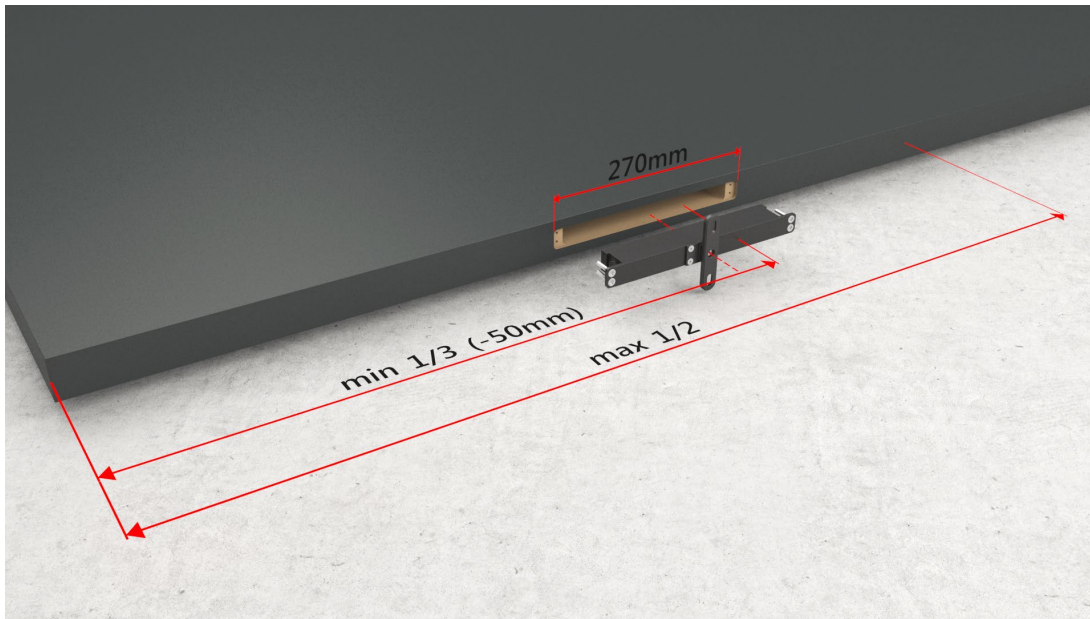
Stealth Pivot XL integration



For locally purchased or manufactured door leafs up to 2250 mm wide



From a technical point of view, we advise to position the pivot axis between $1/3$ (-50mm) up to the center of the door leaf width.

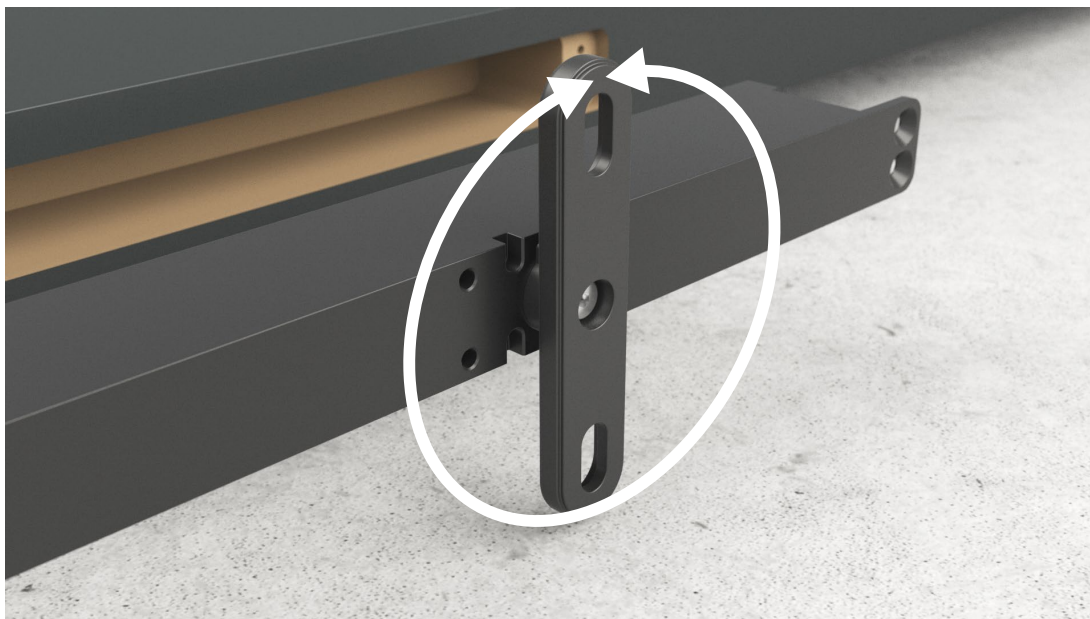


360° functionality - S90 accessory



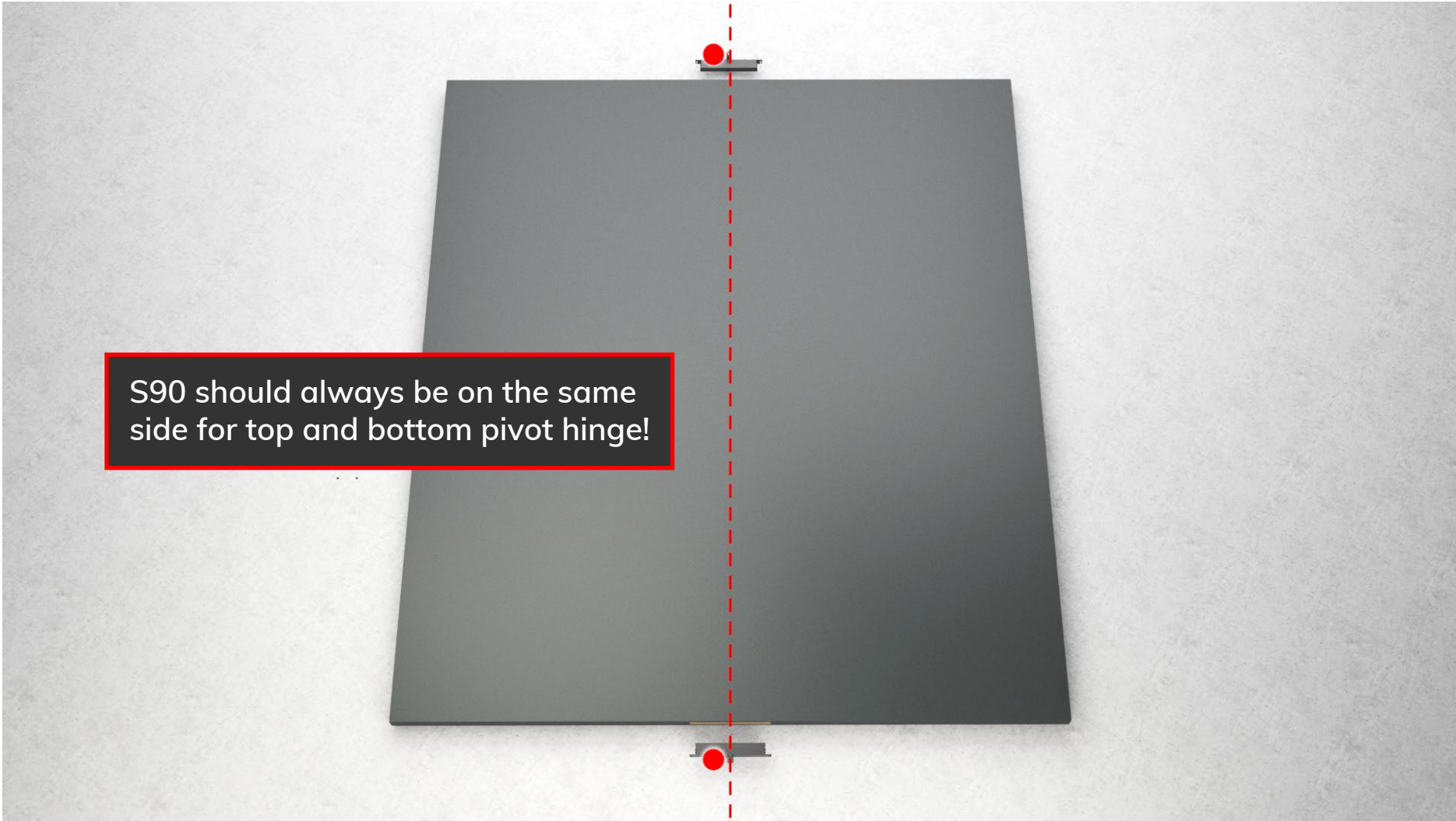
The S90 pivot stop guarantees a door operation of 180° and blocks the door from opening further than +90° or -90°

Standard for all axis positions



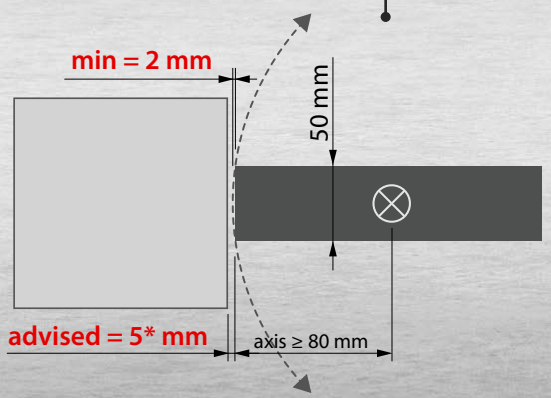
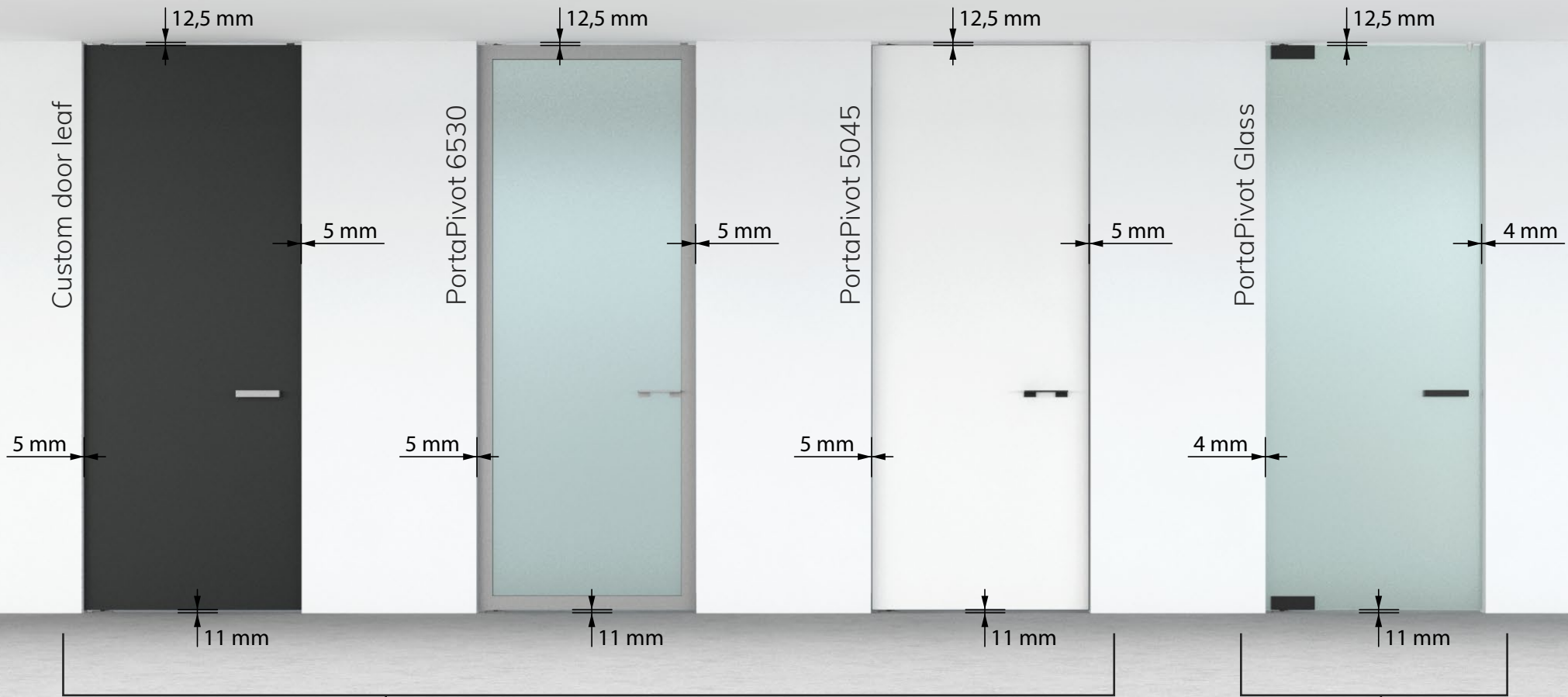
For unlimited 360° rotation, simply remove the S90 stop.

360° advised for StealthPivot XL in a central axis setup

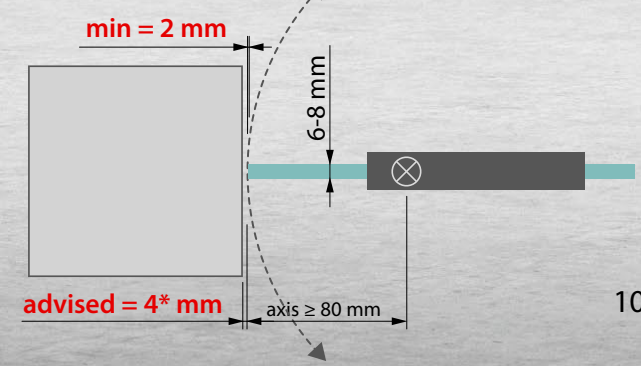


S90 should always be on the same side for top and bottom pivot hinge!

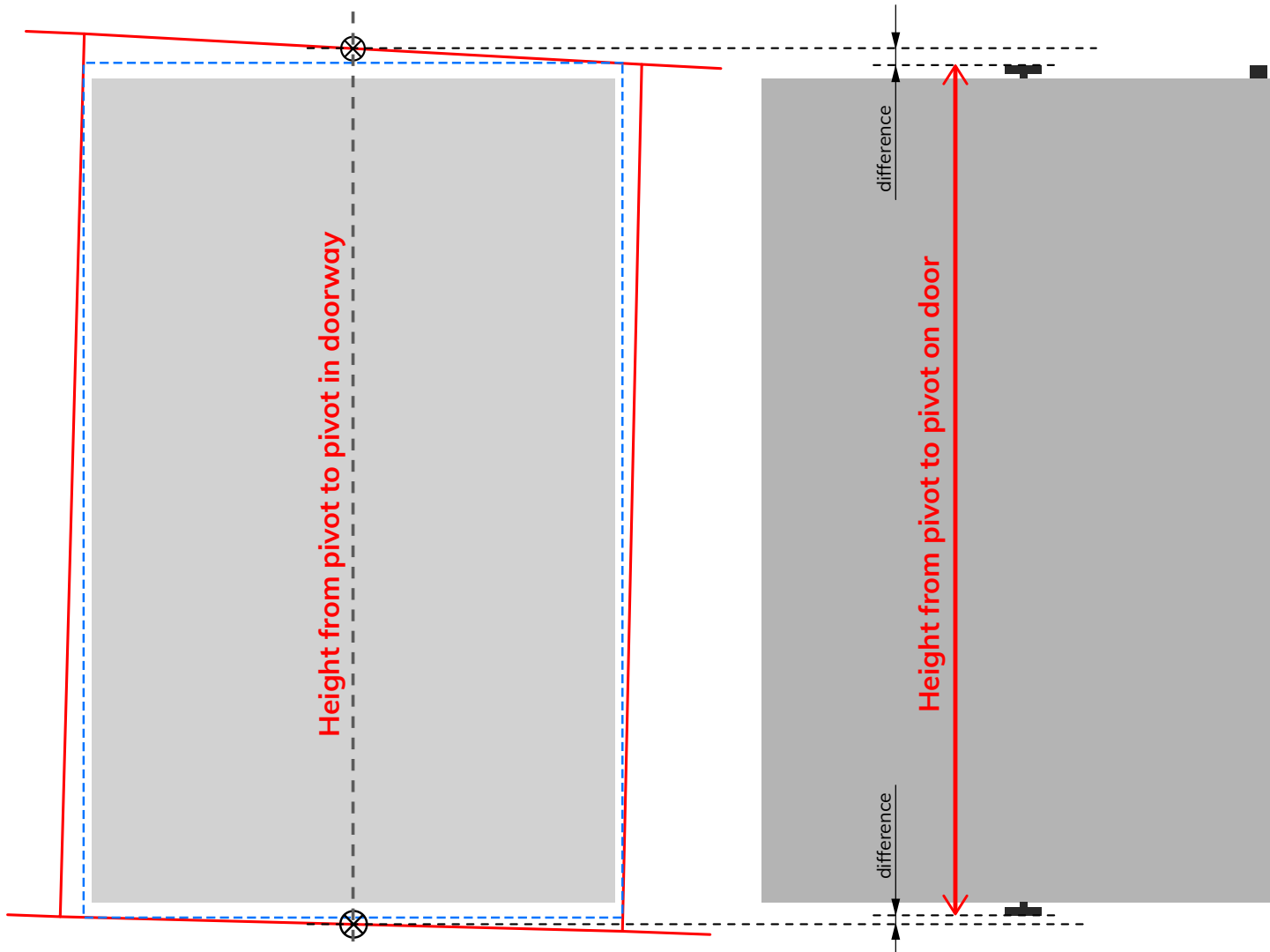
Advised joint dimensions



For thicker door leaves or panels, you have to recalculate the left and right joint dimensions in relation to the pivot axis distance.



Synchronize pivot axis height in doorway



Check the pivot height of the door with the doorway measurements, and synchronize them if necessary.

There are different methods to do this, see following pages.



Adjust bottom hinge height

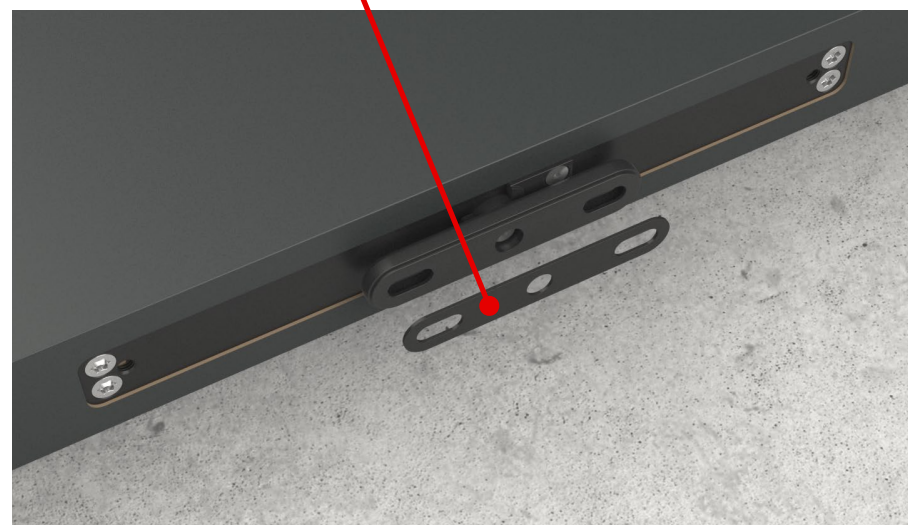
The default bottom joint dimension is 11 mm (=distance between floor and door leaf edge).



To increase the bottom joint, you have 2 options:

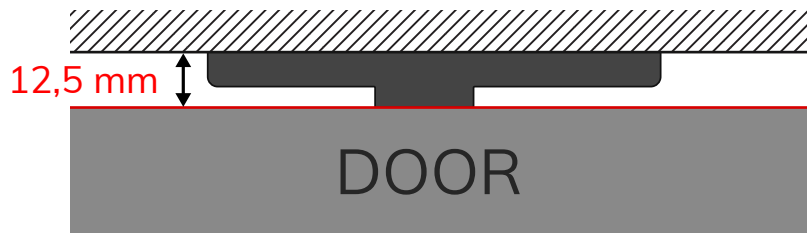
1. Use (supplied) shims between hinge and door leaf. This is the preferred method for the bottom hinge.

2. Use supplied shims between floor and hinge (= less stable).



Adjust top hinge height

The default top joint dimension is 12,5 mm (=distance between ceiling and door leaf edge). This is necessary for the optional 1-way accessory and positioning magnets



To increase the top joint, you have **3 options**:

1. Adjust the inbus screws to move the hinge further away from the door leaf (loosen 4 screws first). (only possible for non compressable door structure)



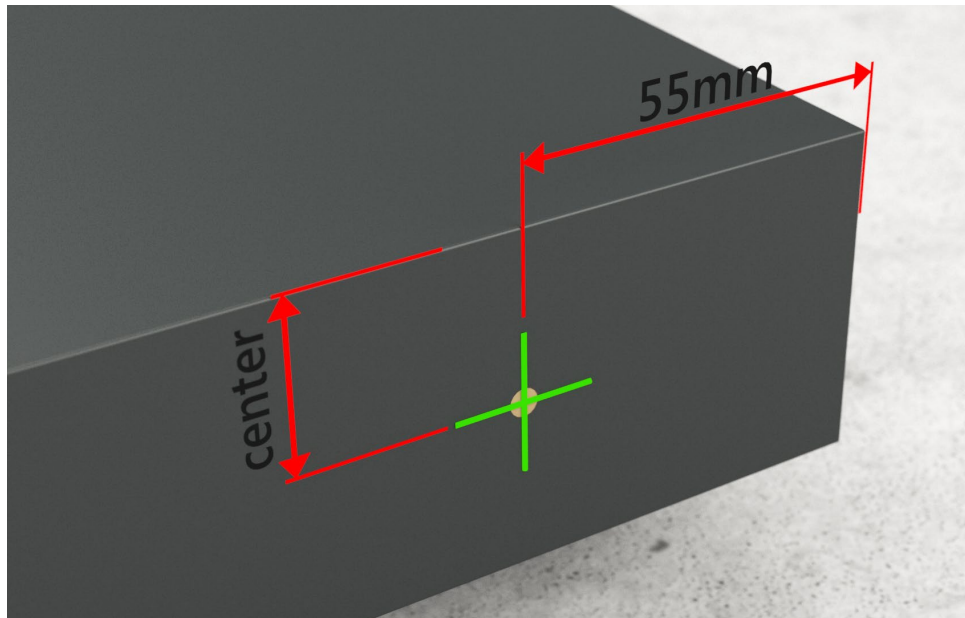
2. Use (supplied) shims between hinge and door leaf.



3. Use supplied shims between ceiling and hinge (= less stable).



Optional 0° positioning magnets on door leaf

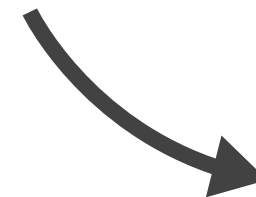
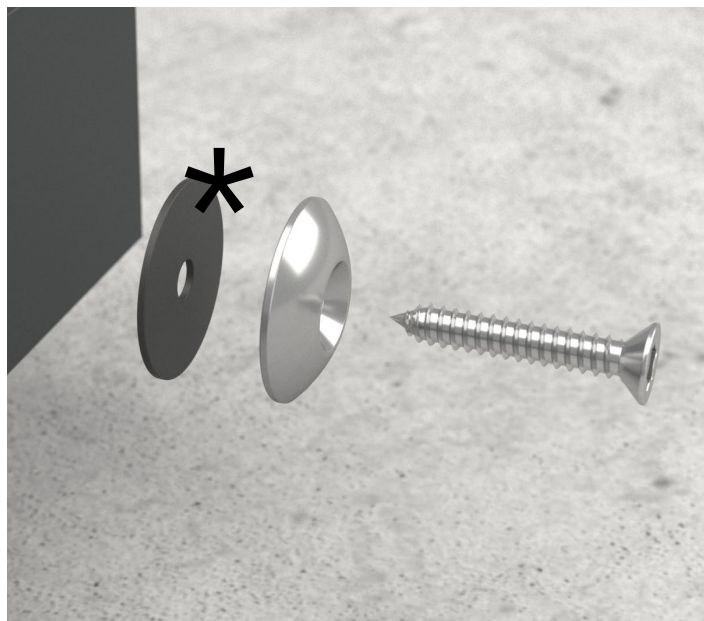


Mark and drill a hole into the door leaf, at least 55 mm away from the door leaf edge.

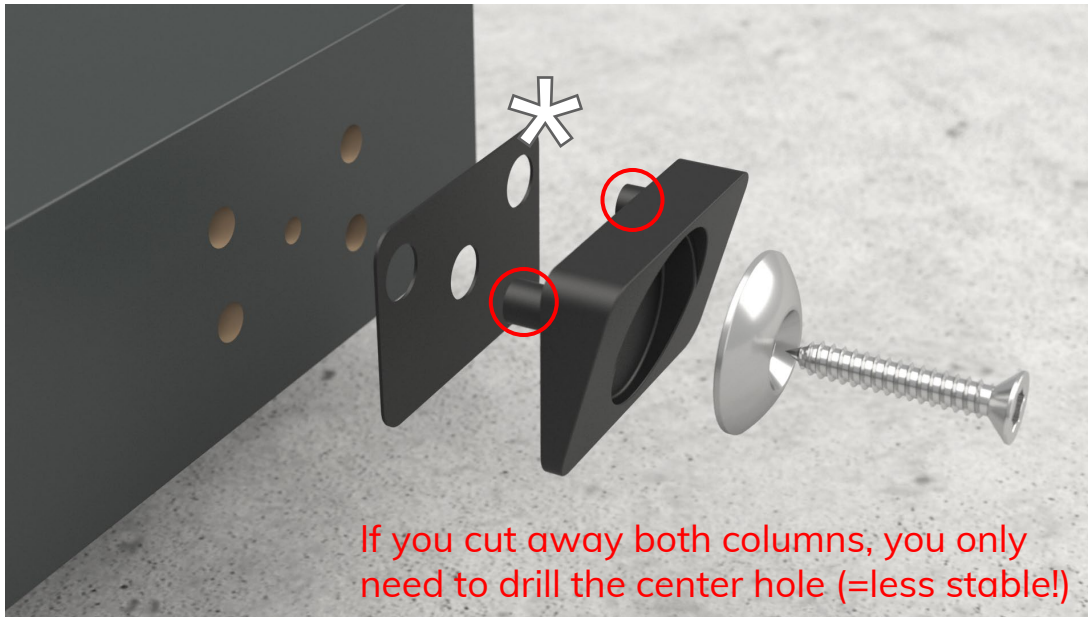
Install the optional positioning magnet with the supplied screw.

*If necessary, use optional supplied shims for height adjustments of the magnets on door leaf or ceiling.

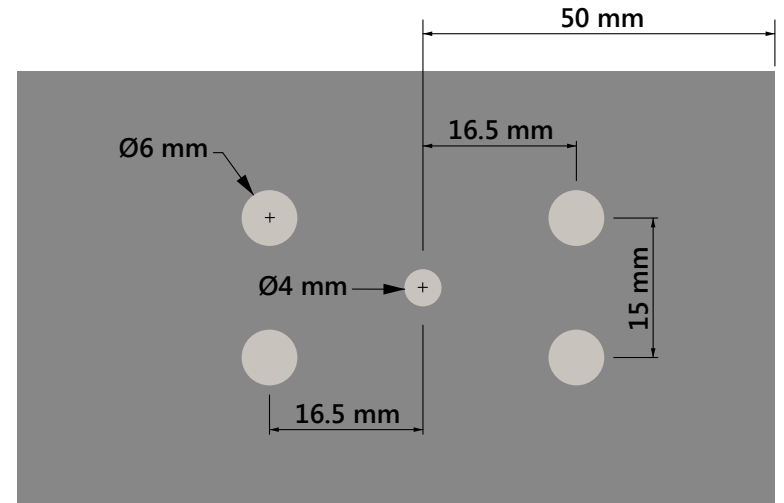
For XL versions, you can mount a magnet on both top sides of the door leaf to ensure 0° positioning.



Optional 1-way on door leaf



Mark and drill the holes for the 1-way part into the door leaf according to pattern below:



Install the optional 1-way under the magnet with the supplied screw.



*If necessary, use optional supplied shims for height adjustments of the magnets on door leaf or ceiling.

For XL versions, you can mount a magnet on both top sides of the door leaf to ensure 0° positioning.



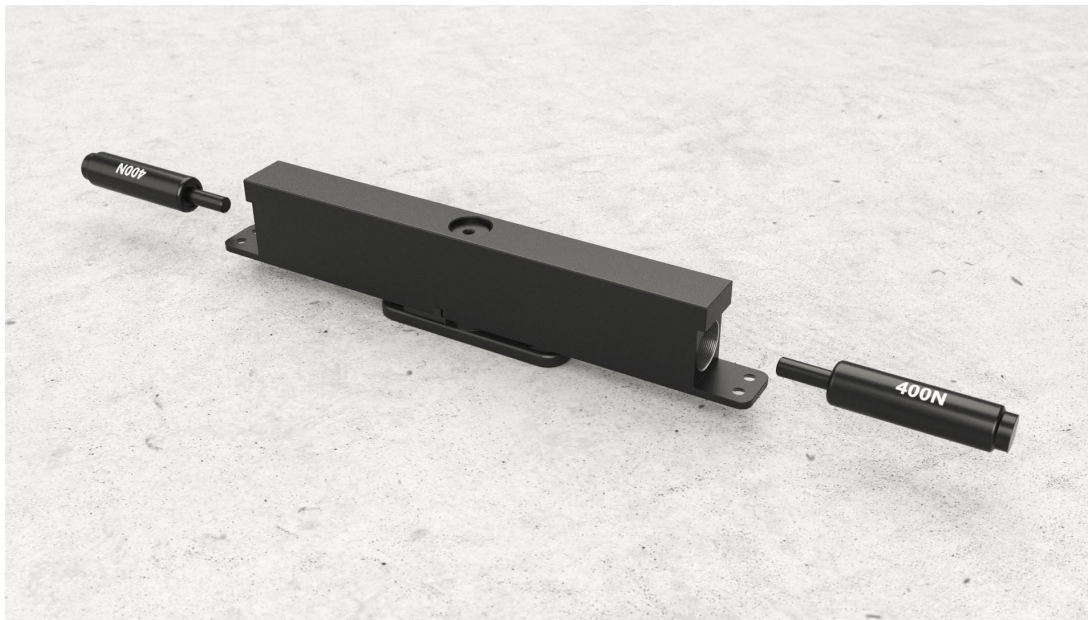
Adjustable closing force



The pivot closing force can be adjusted by changing the default gas springs.

Screw off both end caps, remove the gas springs and replace them.

Screw both caps back on.



StealthPivot XL set:
Default = 2x 400N

Optional* = 2x 300N or 2x 500N

*Can be purchased separately on our website
www.portapivot.com

For further instructions on how to install
the fully assembled door in your doorway,
please refer to the DOOR INSTALLATION MANUAL