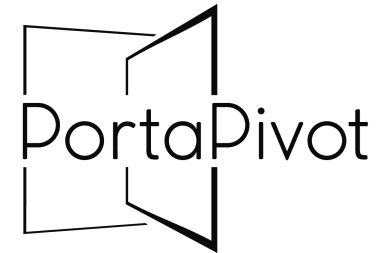


PortaPivot 3530 ASSEMBLY MANUAL

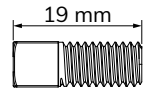
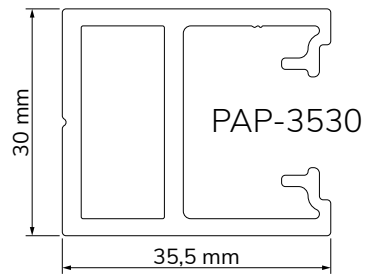


STEALTHPIVOT
By PortaPivot

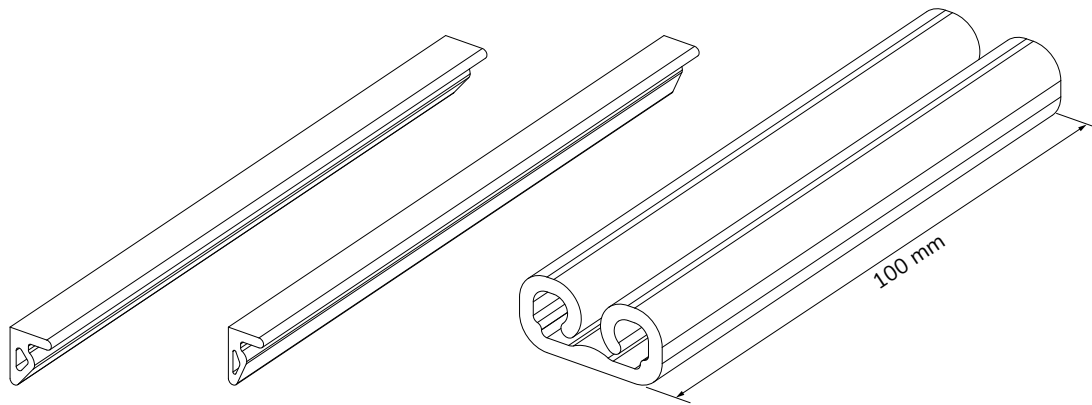
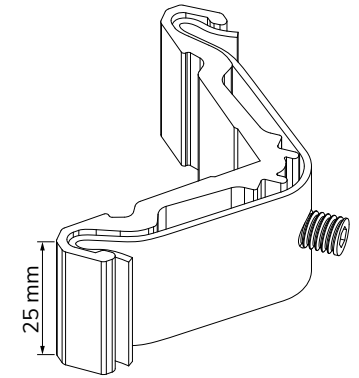
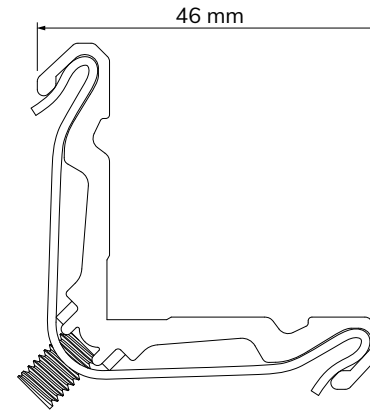
All manuals are also available on www.portapivot.com

Patented technology

PortaPivot 3530 parts



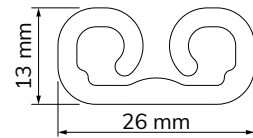
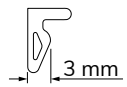
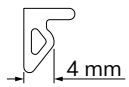
Positioning bolt M6



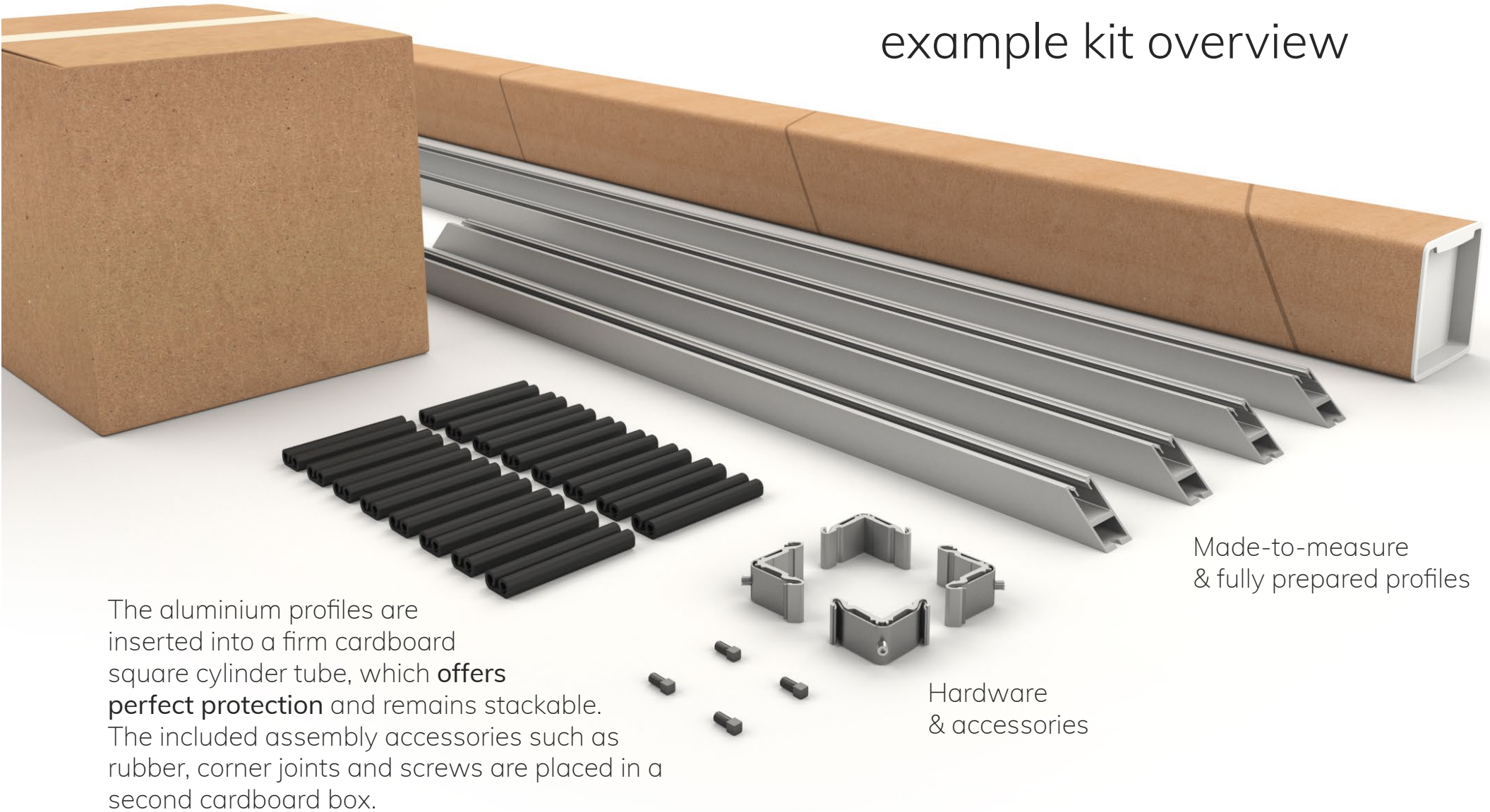
PAPER-GLR6

PAPER-GLR8

PAPER-GLBR6-8



PortaPivot 3530 example kit overview



The aluminium profiles are inserted into a firm cardboard square cylinder tube, which **offers perfect protection** and remains stackable. The included assembly accessories such as rubber, corner joints and screws are placed in a second cardboard box.

Made-to-measure
& fully prepared profiles

Hardware
& accessories

Materials to be purchased locally:

- Safety glass or paneling
- Silicone spray
- loctite (blue)

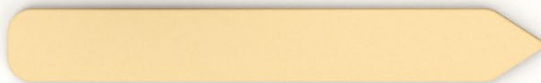
Recommended tools:



Rubber hammer



Saw cut marker
(Supplied with kit)



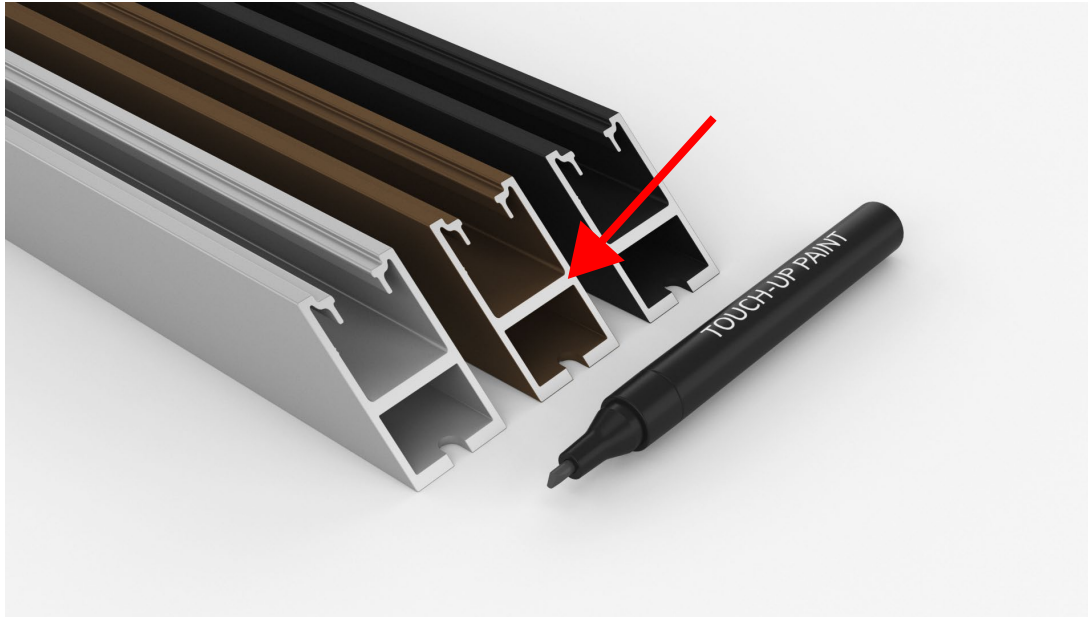
Wooden wedge



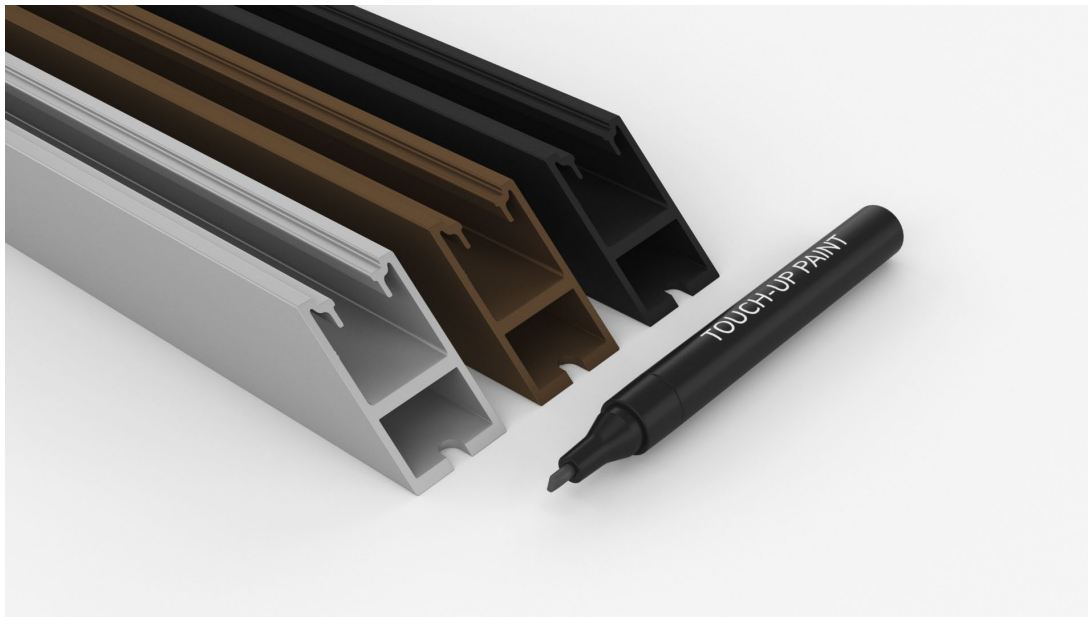
Bit screwdriver



Rigid 2mm aid
(Supplied)

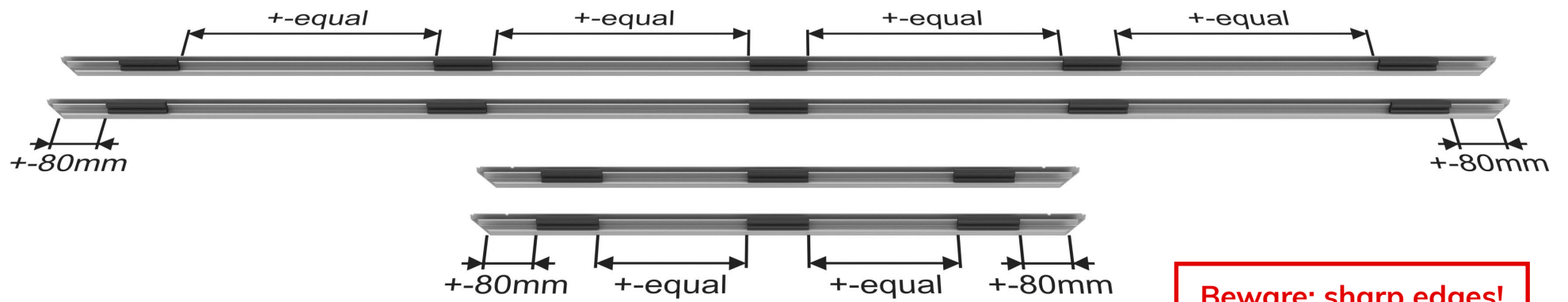


Degrease the saw cuts and use the supplied marker to paint the cuts.

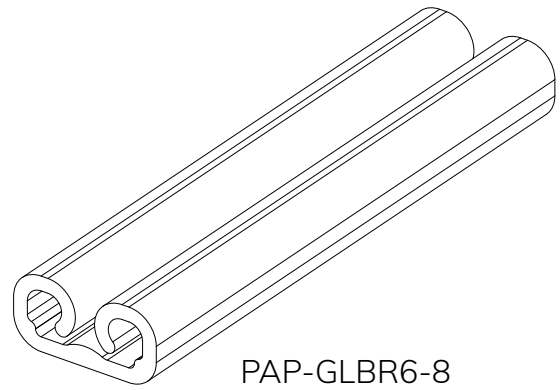


Remove excessive paint from visual sides with acetone or alike

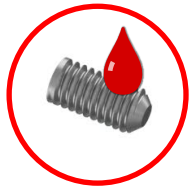
Slide in 5 EPDM inserts (GLB6-8) into every profile, and distribute them evenly.



Beware: sharp edges!

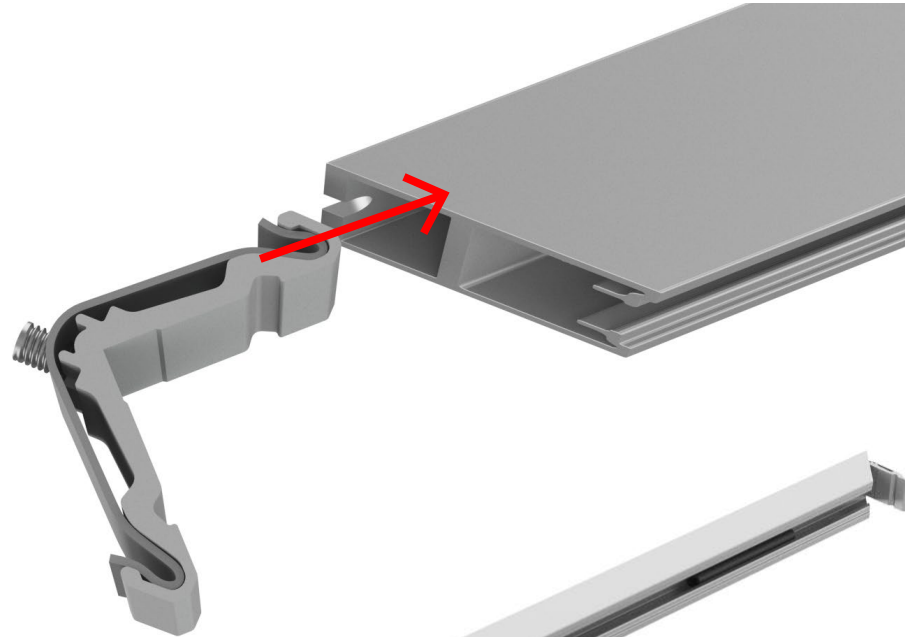


PAP-GLBR6-8



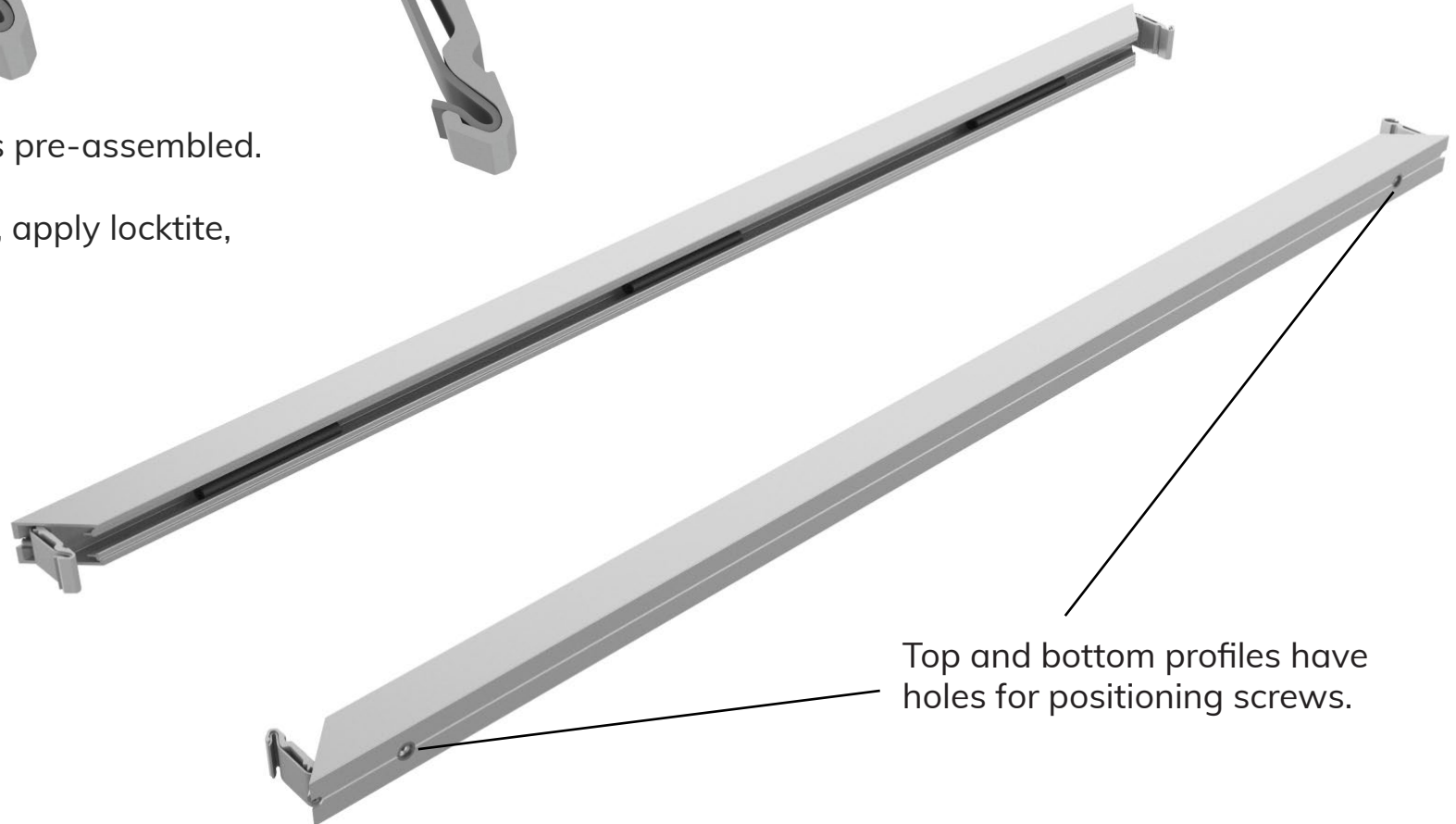
Loctite

do not tighten!

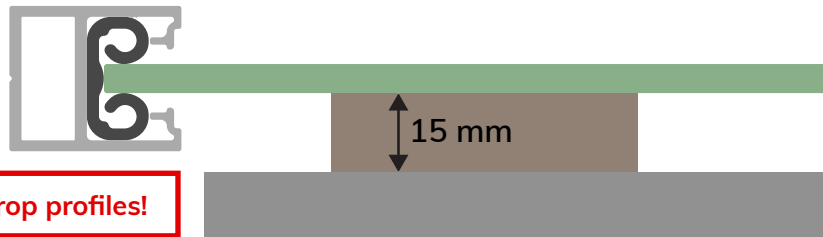


The corner joint comes pre-assembled.

Insert the inbus screw, apply locktite,
but do not tighten yet!



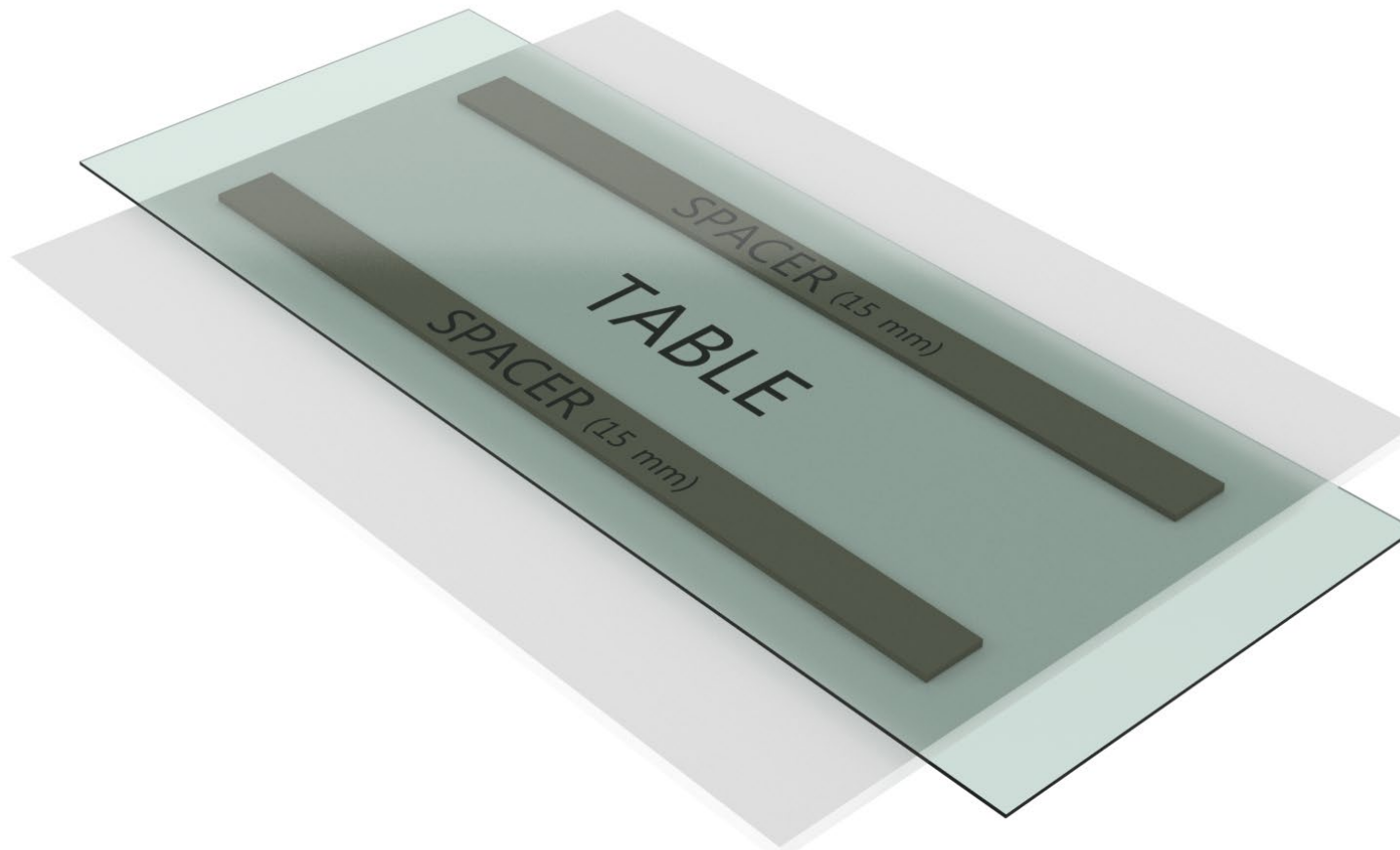
Top and bottom profiles have holes for positioning screws.



Careful: don't drop profiles!

Use 2 wooden spacers (+-15 mm thick) on an assembly table and place the locally purchased panel on top.

Spacers are needed to provide space when mounting the aluminium profiles around the panel.

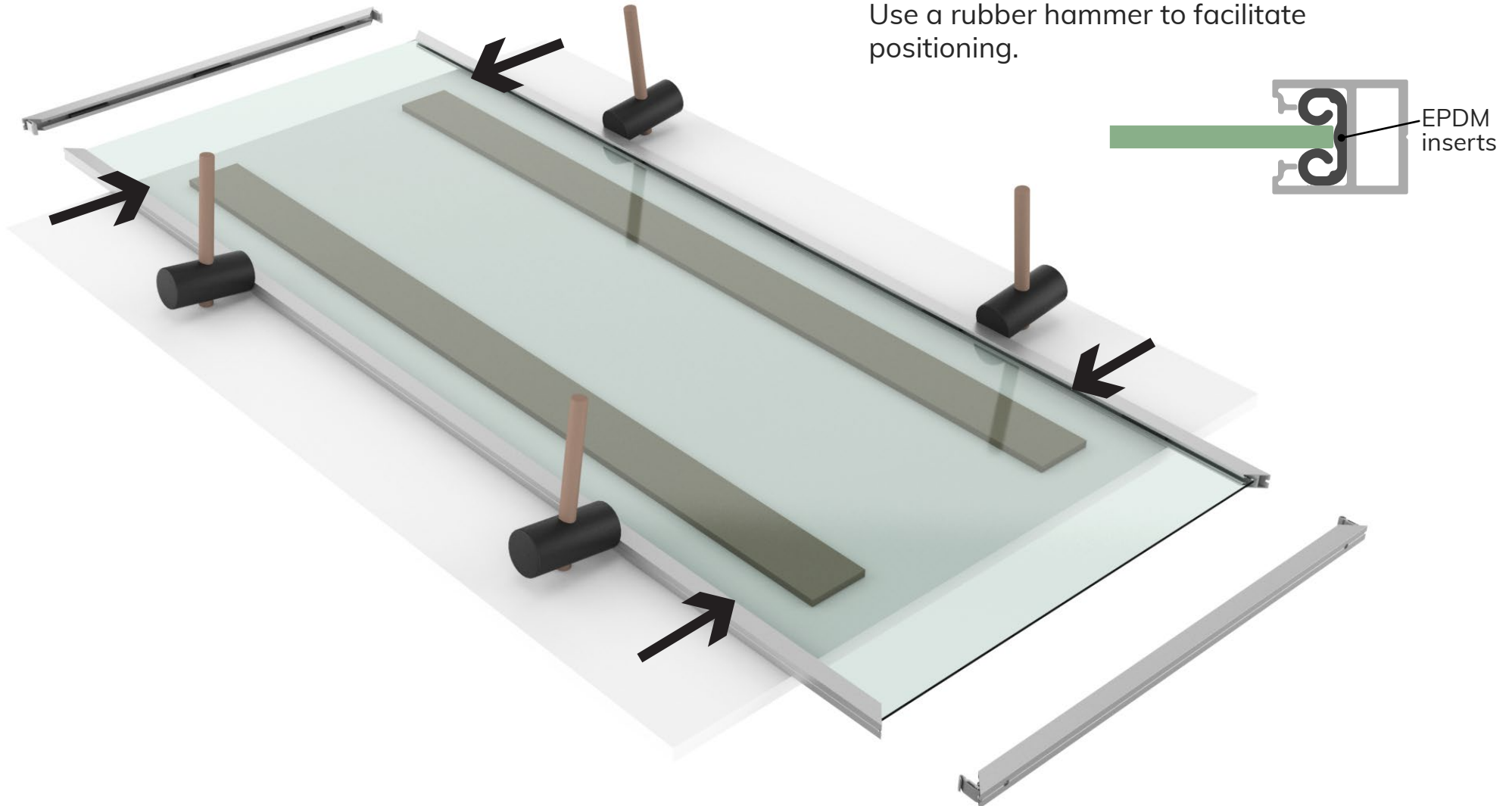


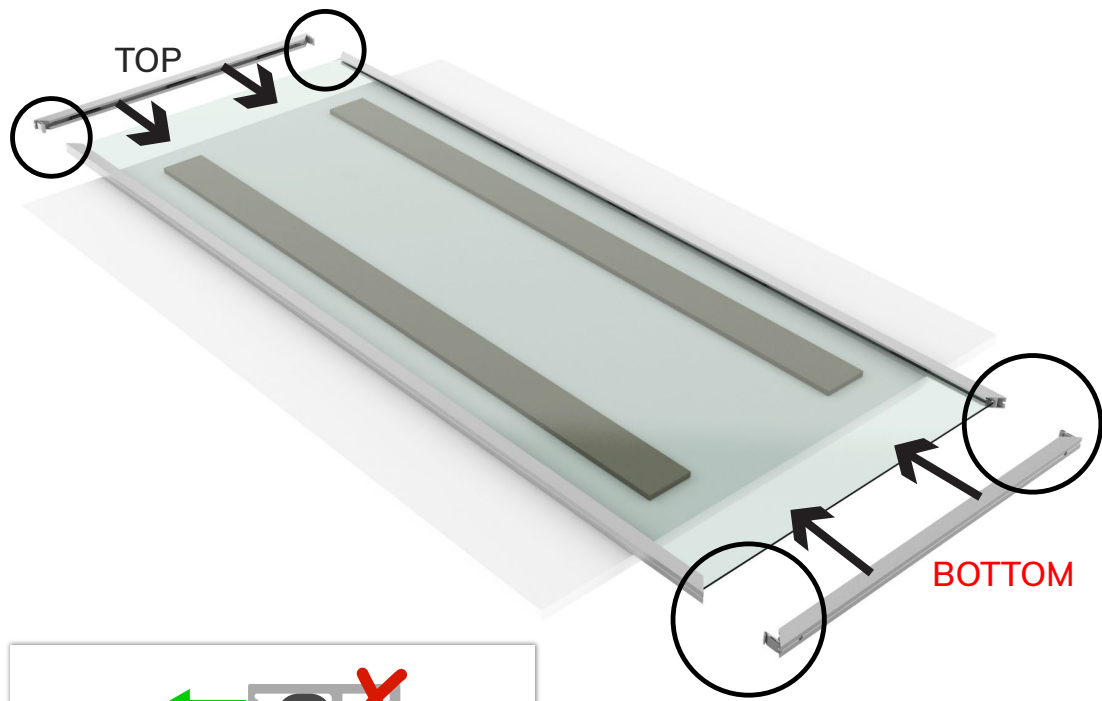
Careful: don't drop profiles!

Push left and right profile with their EPDM inserts over the panel.

Apply extra silicone spray on EPDM inserts if necessary.

Use a rubber hammer to facilitate positioning.

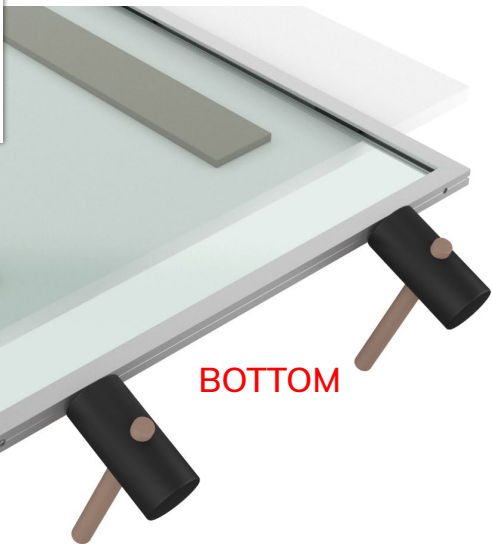
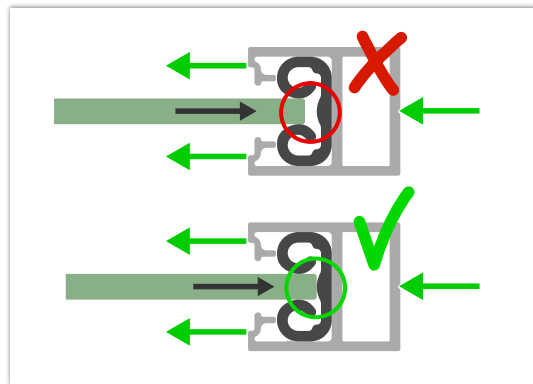




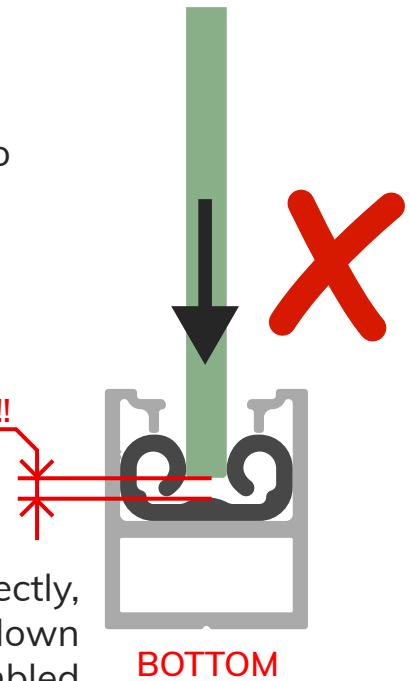
Carefully slide the top and bottom profile into left and right profile, and over the panel.

Careful: don't drop profiles!

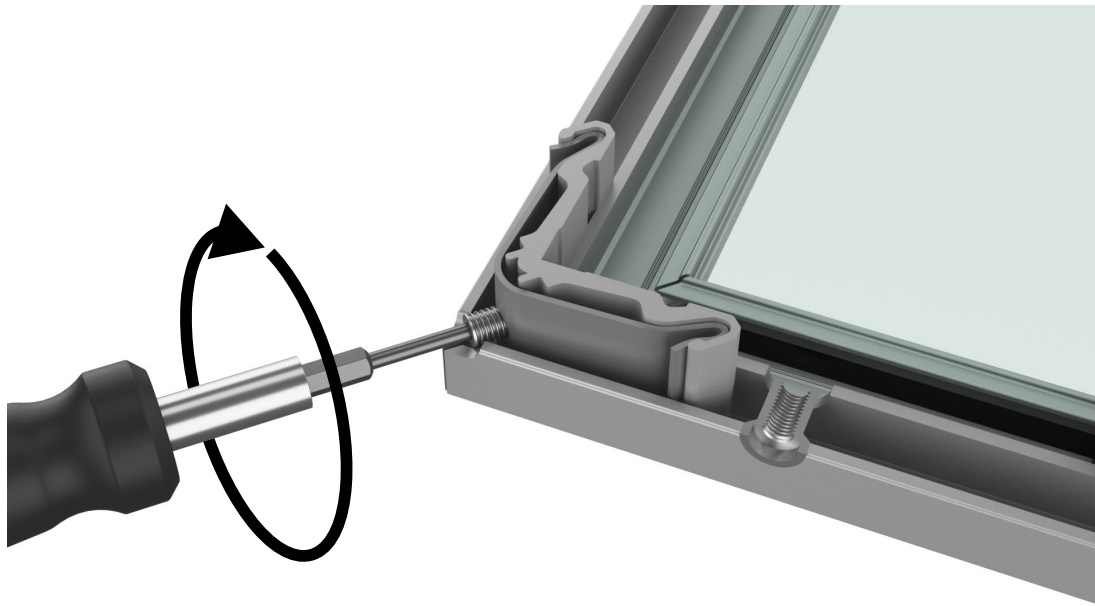
When all profiles are inserted, use a rubber hammer to position the bottom profile with the EPDM inserts against the panel.



must be 0 mm!!



If NOT positioned correctly, the panel will slide down when the fully assembled door is put upright!!

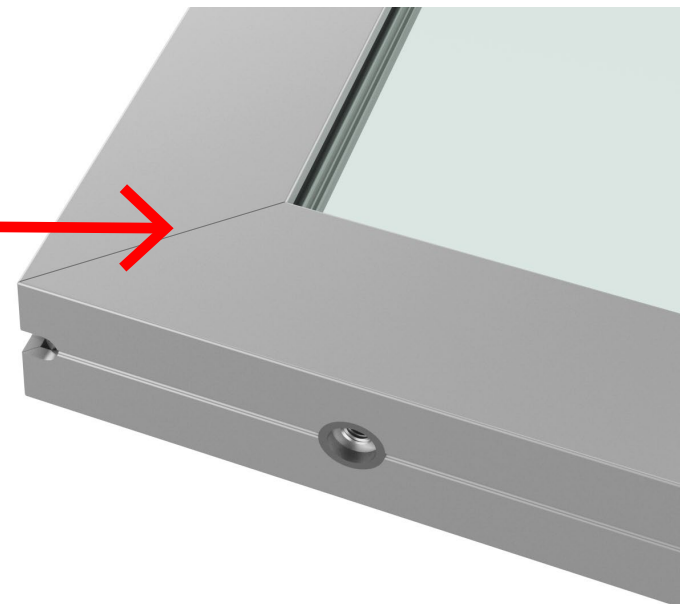
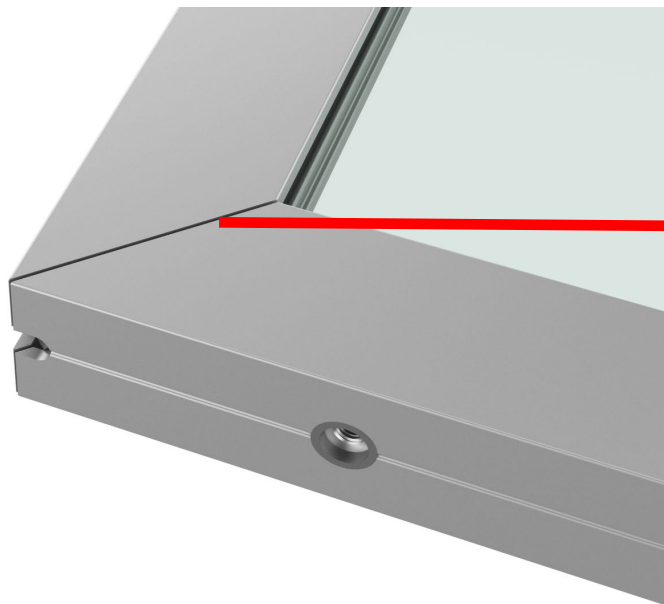


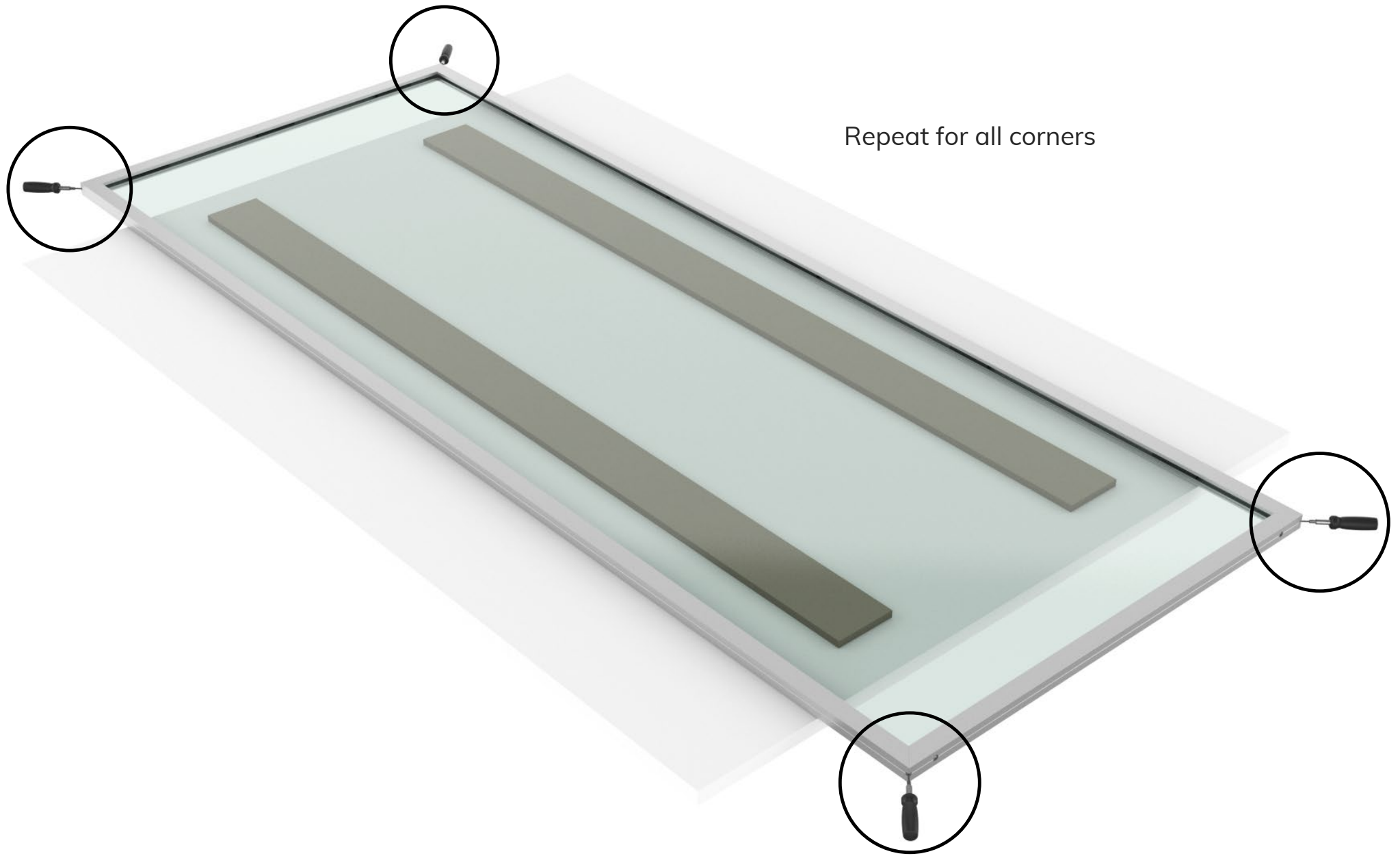
**Carefully tighten the inbus screw by hand!
Over-tightening will damage the corner joint!**

By tightening the inbus screw inside the corner joint, the profiles will be secured to each other.

This will also clear any gaps between the profiles.

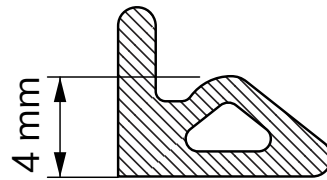
Make sure to carefully align the profiles as best as possible before tightening the inbus screw.



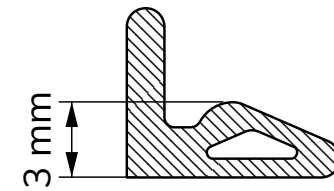


Repeat for all corners

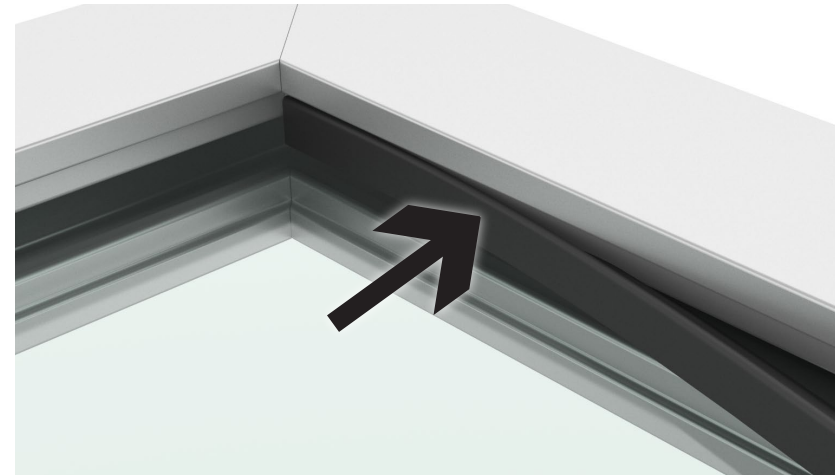
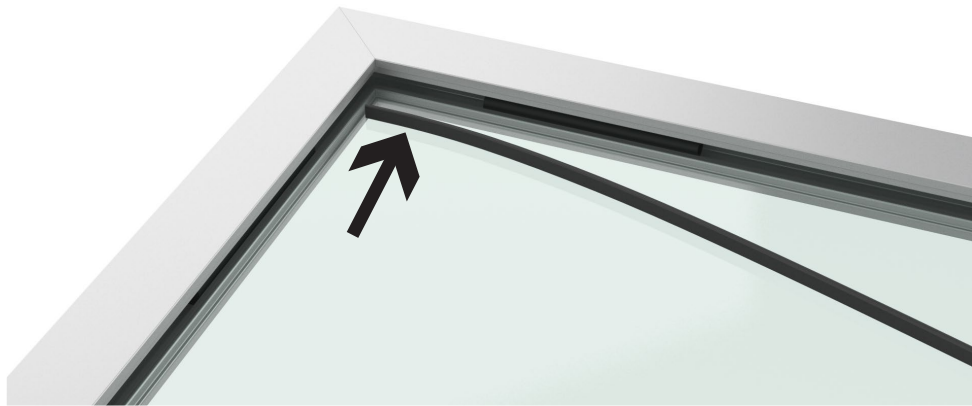
Use the appropriate rubber filler for 6 mm or 8 mm thick panels.



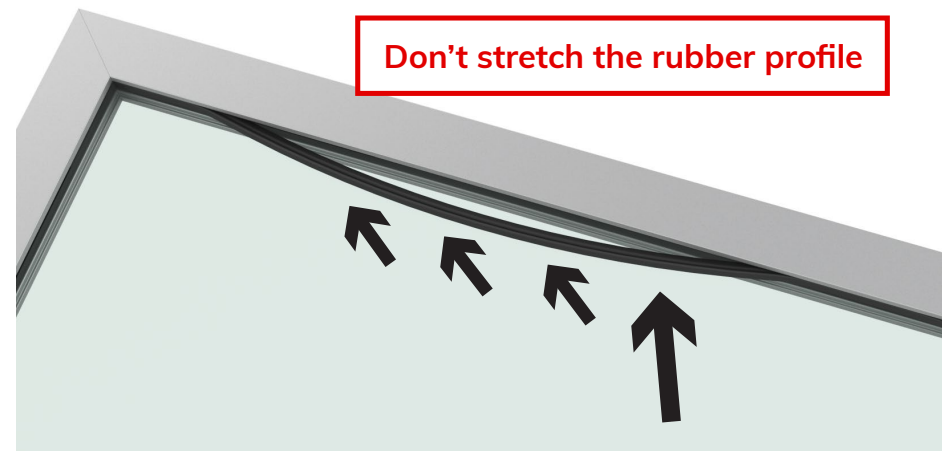
6mm panel
use GBL6



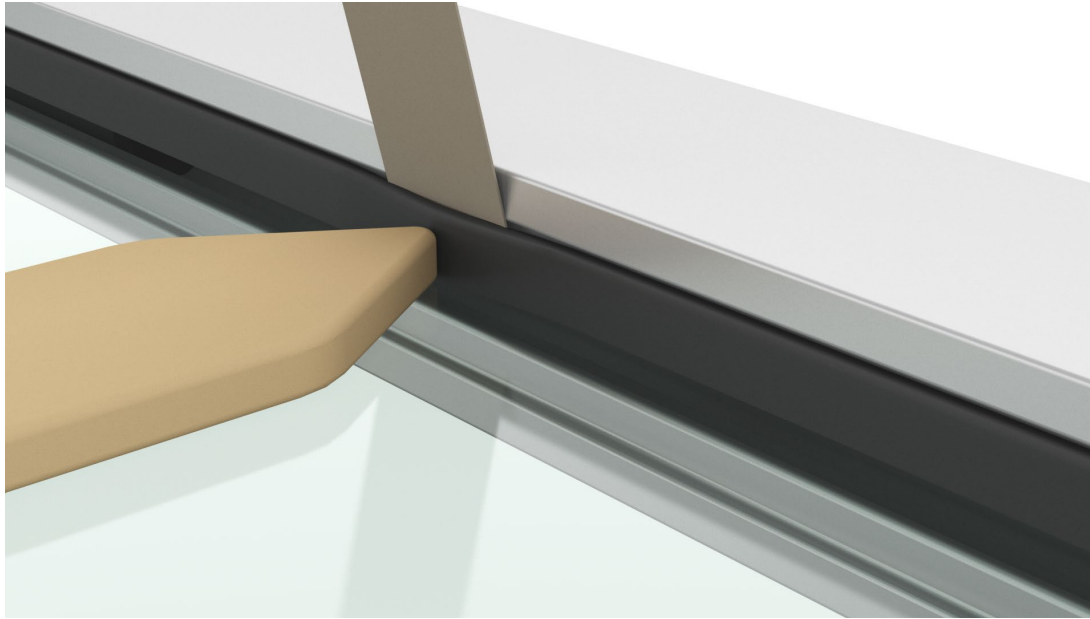
8mm panel
use GBL8



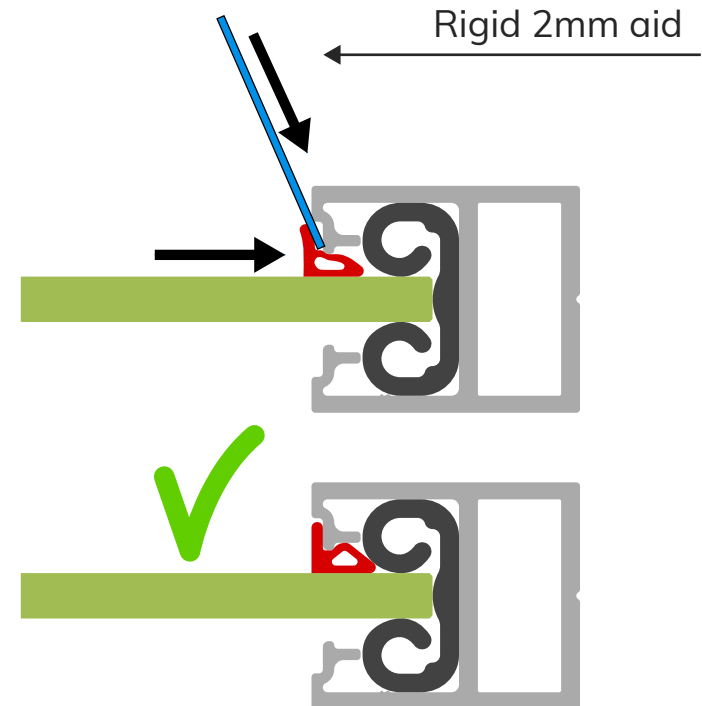
Push the rubber profile in the top left corner.



Push in at a further point, and work your way backwards to prevent stretching of the rubber profile while mounted.



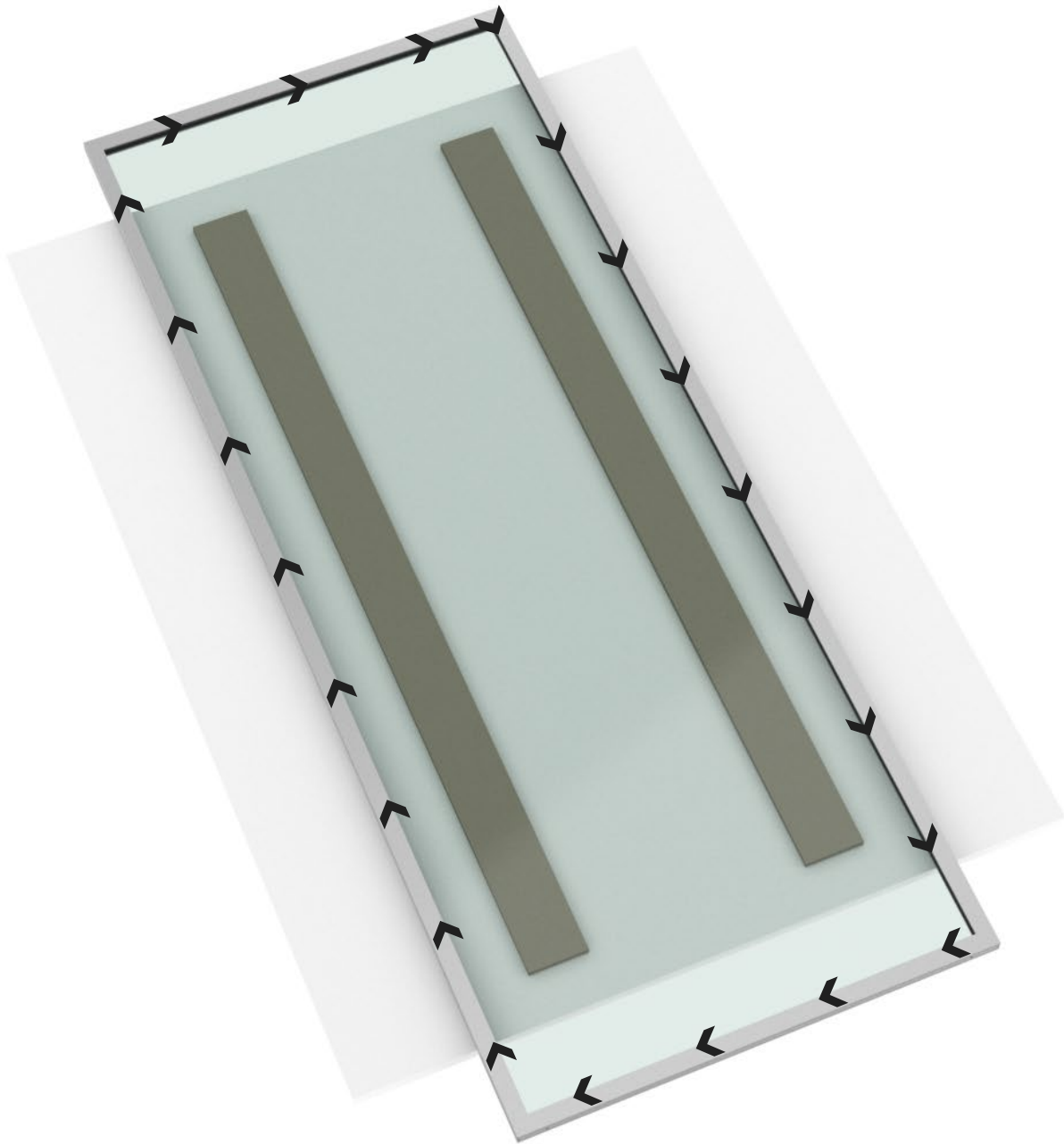
If rubber doesn't pop into place well, use 2 mm supplied aid to press the rubber down while pushing it in place.



Don't stretch the rubber profile



Use a wooden tool to press the rubber tightly (90°) into the corners without stretching it.

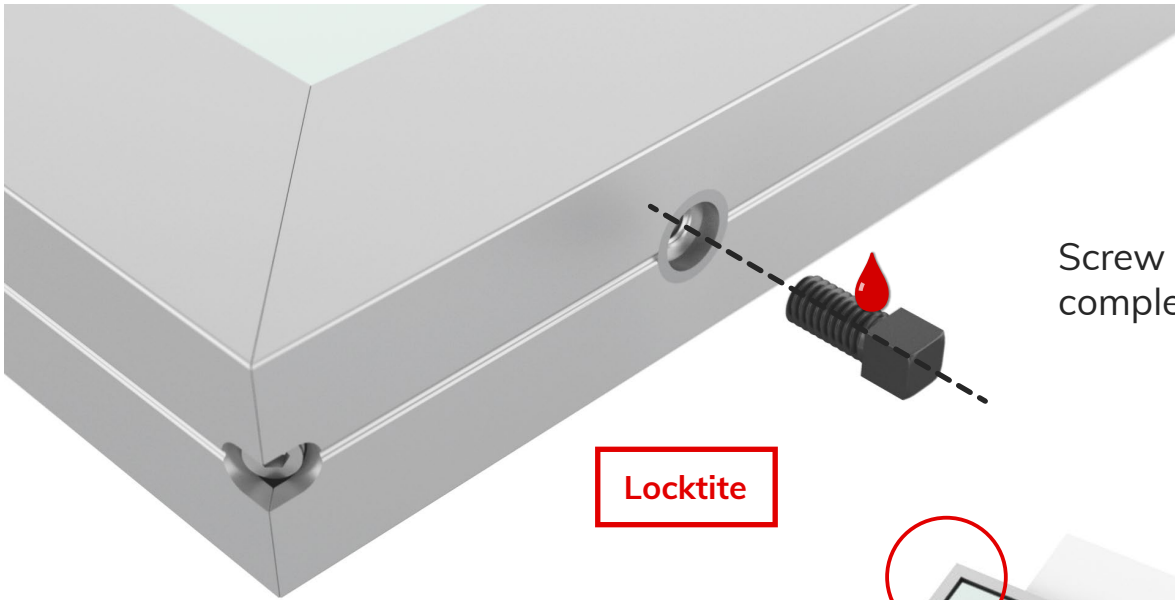


Work your way all around.

Repeat for the counterside of the door leaf!

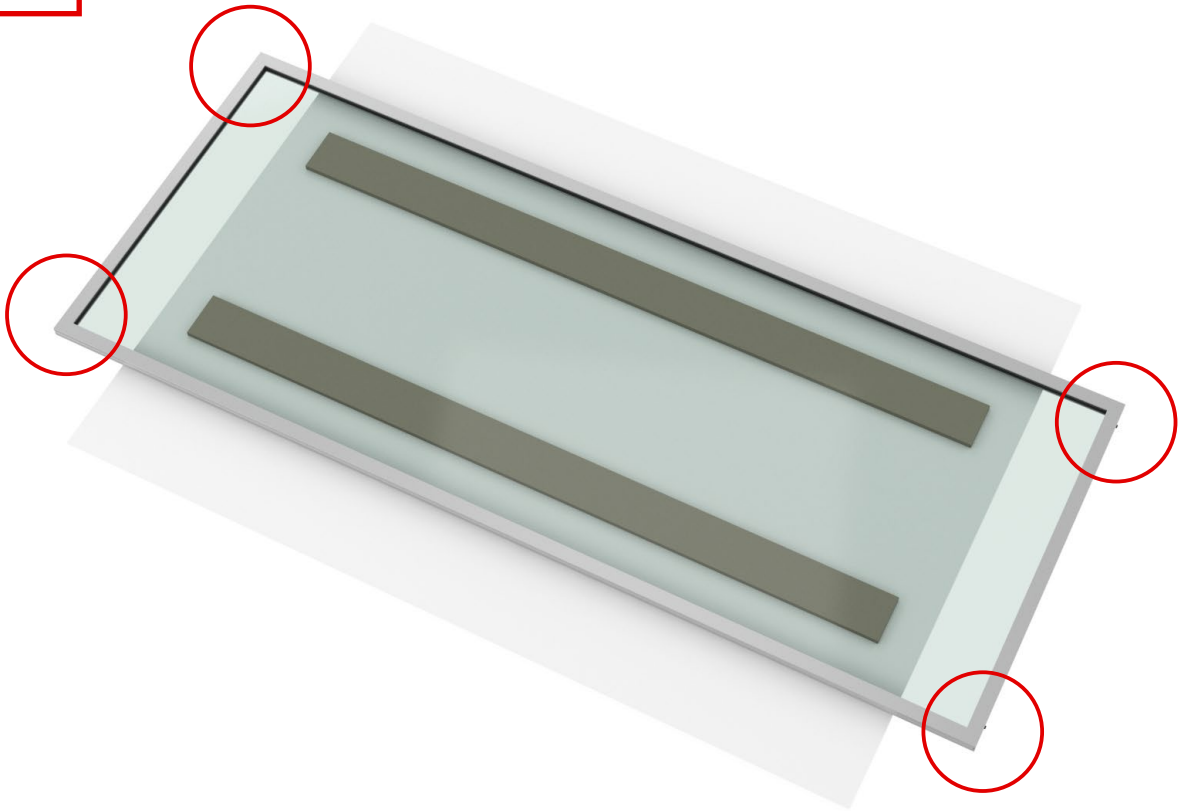
The rubber profile will be harder to insert because of the counterpressure from the first rubber.





Screw in a height correction/positioning bolt completely, in each corner.

Locktite



For further instructions on how to install
the fully assembled door in your doorway,
please refer to the PortaPivot 3530
“How to measure & install” MANUAL

All manuals are also available on www.portapivot.com