

KCKP series



Features

- Four types arm are available
- It can mounted on the four sides available
- Rod crank slider structure
- It is easy and convenient to change the opening angle

How to order

KCKP 63 x 135 AM1R KP

① ② ③ ④ ⑤ ⑥ ⑦

① Series

KCKP	Power clamp cylinder(Double acting type)
------	--

② Clamping arm position

Nil Horizontal	V Vertical

③ Bore size

40	Ø40(Circular)
50	Ø50(Elliptical)
63	Ø63(Elliptical)
80	Ø80(Elliptical)

④ Opening angle

15,30,45,60,75,90,105,120,135

* Please refer to Max. opening angle table below for details.

Bore size	Arm position	Type	Max. opening angle
40	Horizontal	AM1	135°
		AM3	105°
	Vertical(V)	AM1	120°
		AM3	105°
50,63,80	Horizontal	AM1,AM3	135°
		AM2,AM4	135°
	Vertical(V)	AM1,AM3	105°
		AM2,AM4	105°

⑥ Sensor switch

Nil	No sensor switch
KP	With electrical sensor switch(PNP)
KN	With electrical sensor switch(NPN)
KA	With air sensor switch

⑦ Thread type

Nil	PT
G	G

⑤ Clamping arm

Bore size	Nil	None		
		R	C	L
Ø40	AM1: Offset 15mm			
	AM3: Offset 45mm			
	AM1: Offset 15mm			
	AM3: Offset 45mm			
Ø50	AM1: Offset 15mm			
	AM3: Offset 45mm			
	AM2: Offset 15mm			
	AM4: Offset 45mm			
Ø63	AM1: Offset 15mm			
	AM3: Offset 45mm			
	AM2: Offset 15mm			
	AM4: Offset 45mm			
Ø80	AM1: Offset 15mm			
	AM3: Offset 45mm			
	AM2: Offset 15mm			
	AM4: Offset 45mm			

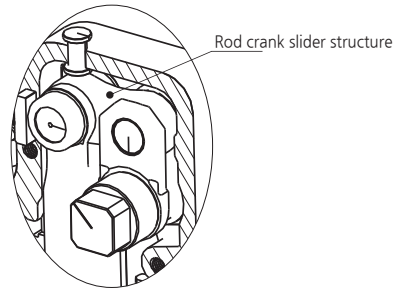
Compendium of KCKP

Four types arm are available

Four Arm types AM1, AM2, AM3 and AM4 have choosable each three specifications, R, C, and L.

Rod crank slider structure

Rod crank slider structure made of high strength, wear resistant material is adopted.
a) Stable structure to produce large clamping forces at low operating pressure.
b) Adopt self-locking and maintain clamping force even after compressed air supply is stopped.



Mountable on 4 sides

DIN Standard Dimensions.

Mechanism

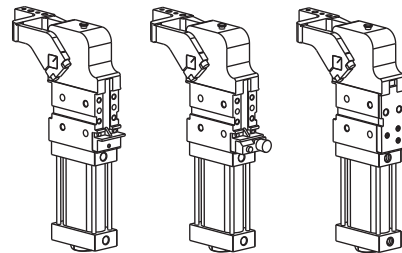
Designed as a whole

Cylinder designed as a whole.

Cylinder

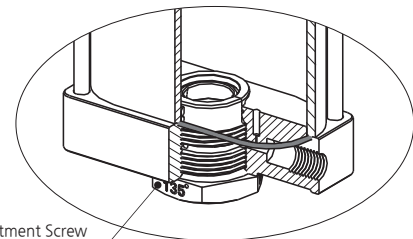
Electrical or air proximity sensor

No sensor Electrical proximity sensor (NPN/PNP) Air proximity sensor



Easy and convenient to adjust the opening angle

Replace Angle Adjustment Screw.



Angle Adjustment Screw

Space-efficient elliptical cylinder

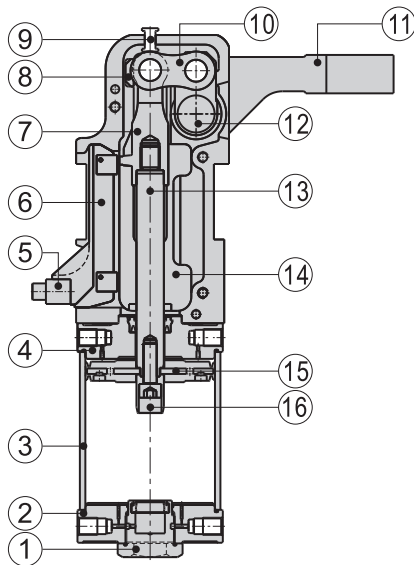
Application



Specifications

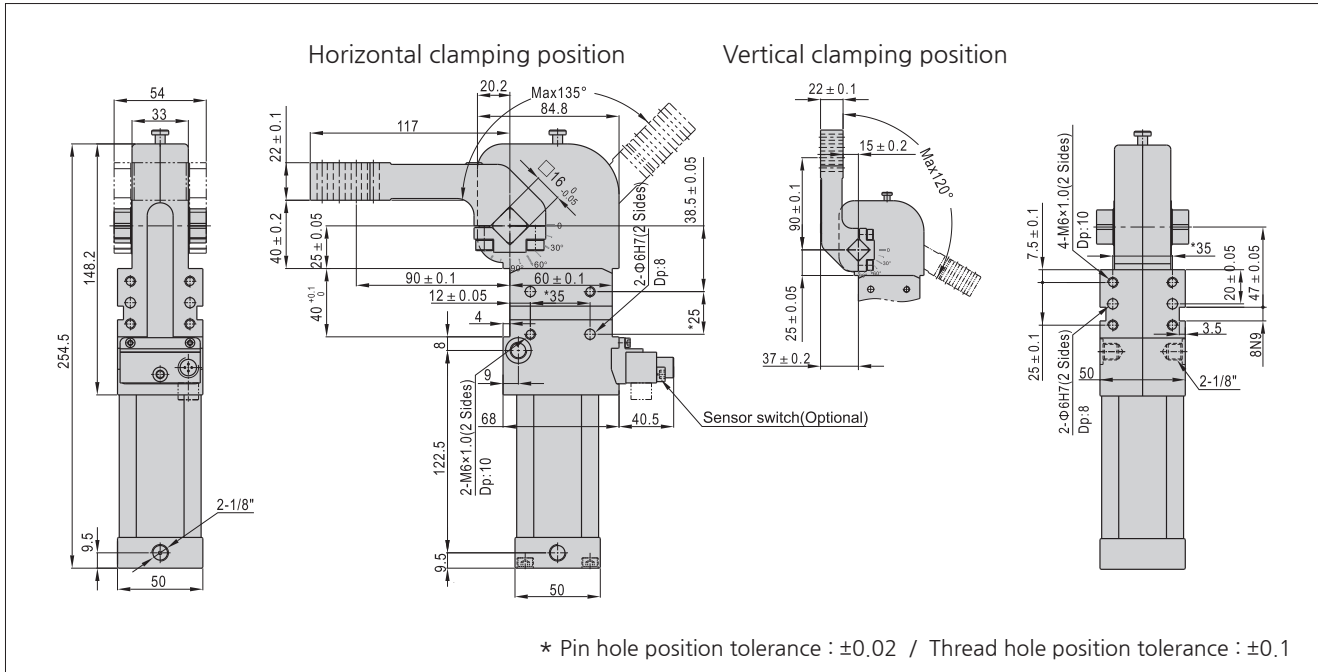
Item	KCKP40	KCKP50	KCKP63	KCKP80
Output Torque(0.5MPa)	120N.m	160N.m	380N.m	800N.m
Acting type	Double acting type			
Fluid	Air(40 μ m Air filtered below)			
Operation pressure	0.3~0.8MPa(43~116psi)			
Proof pressure	1.2MPa(175psi)			
Temperature	-10 ~ 60C			
Opening angle	15°, 30°, 45°, 60°, 75°, 90°, 105°, 120°, 135°			
Min.opening and closing time	1 second clamping, 1 second opening			
Position Sensing	Electrical or air proximity sensor			
Cushion type	Air cushion			
Weight (15mm Offset included Clamping Arm)	2.2kg	4.0kg	5.5kg	13kg
Port size(PT,G)	1/8"		1/4"	

Structure

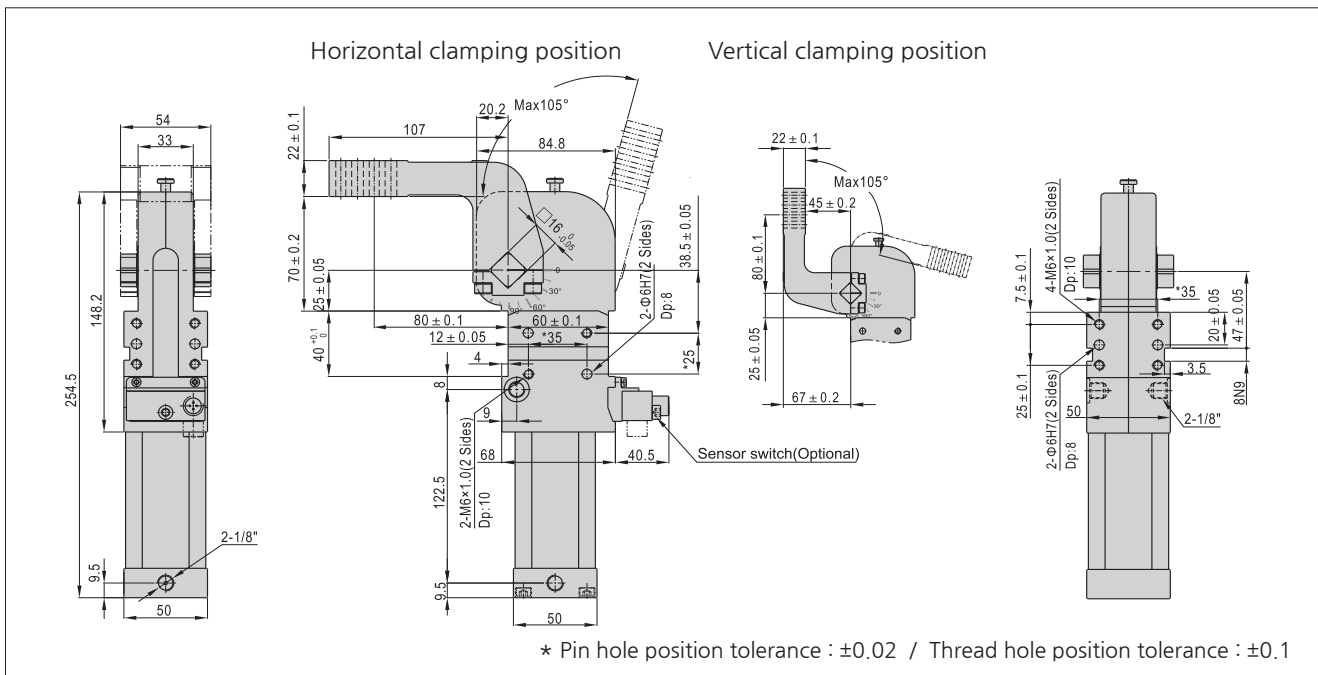


No.	Parts	Material
1	Angle adjustment screw	Alloy steel
2	Head cover	Aluminum alloy
3	Tube	Aluminum alloy
4	Rod cover	Aluminum alloy
5	Sensor	-
6	Sensor fix	Plastic
7	Y Knuckle	Alloy steel
8	Crank support	Alloy steel
9	Manual release pin	Carbon steel
10	Connecting rod	Alloy steel
11	Clamping arm	Cast Steel
12	Pivot	Alloy steel
13	Piston rod	Carbon steel
14	Retainer	Aluminum alloy
15	Piston	NBR
16	Cushion sleeve	Aluminum alloy

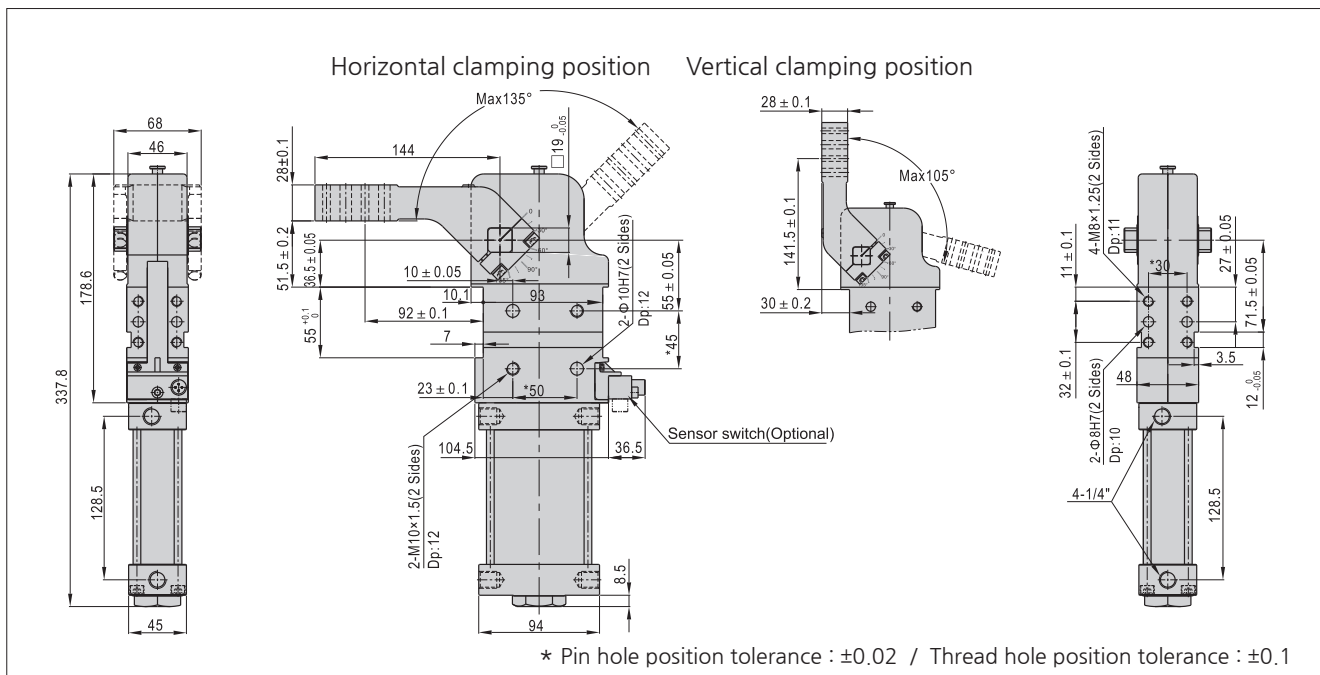
Dimensions(KCKP40AM1)



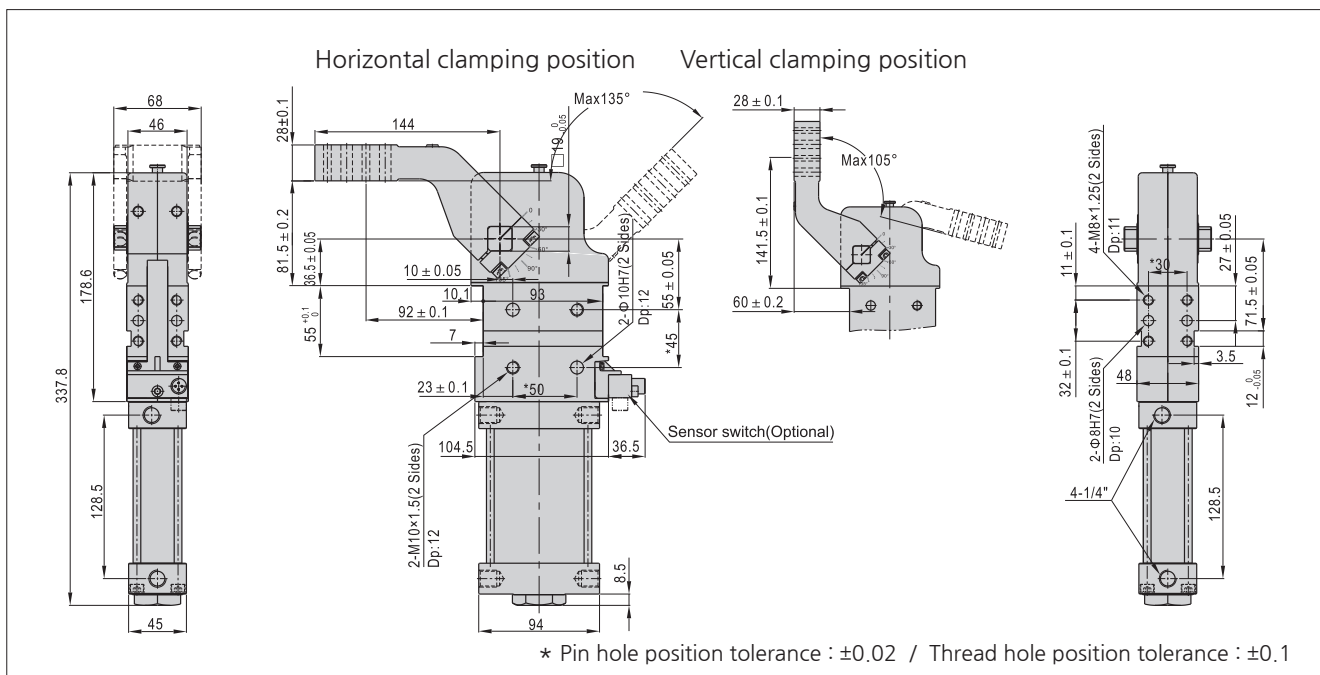
Dimensions(KCKP40AM3)



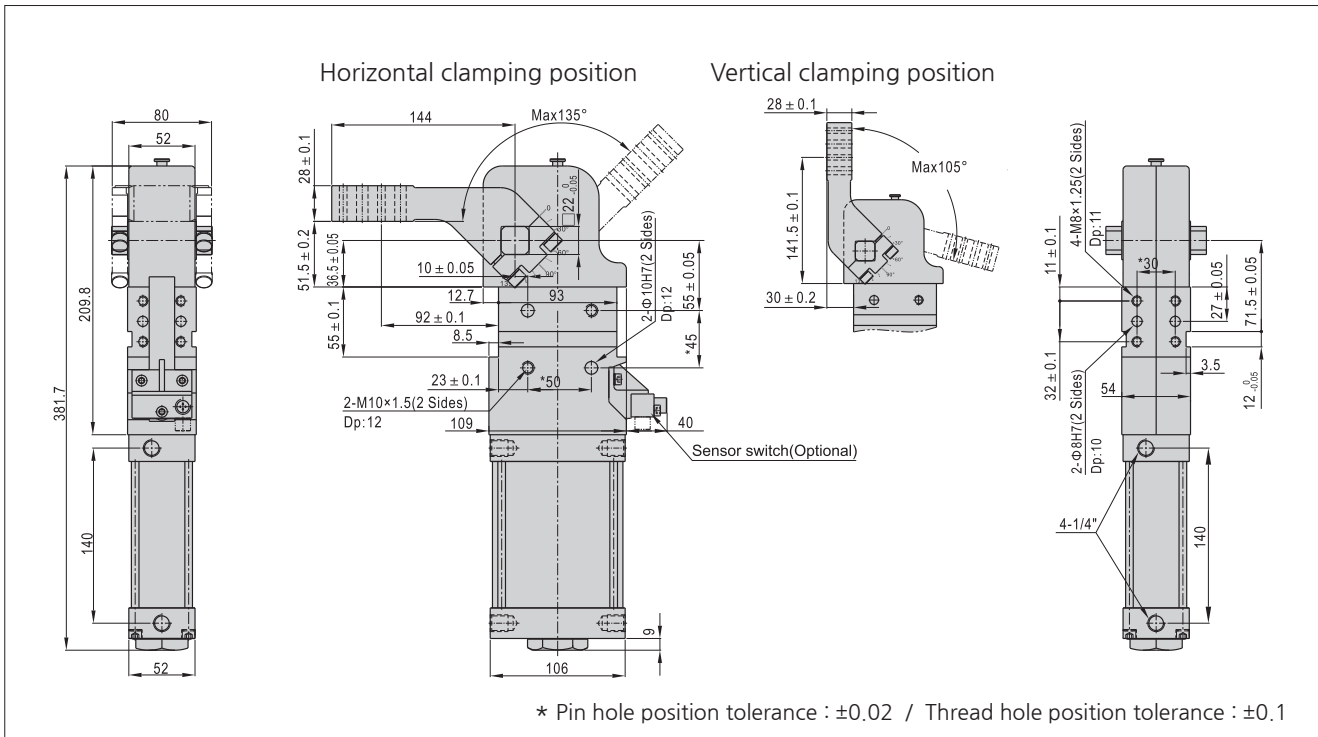
Dimensions(KCKP50AM1,2)



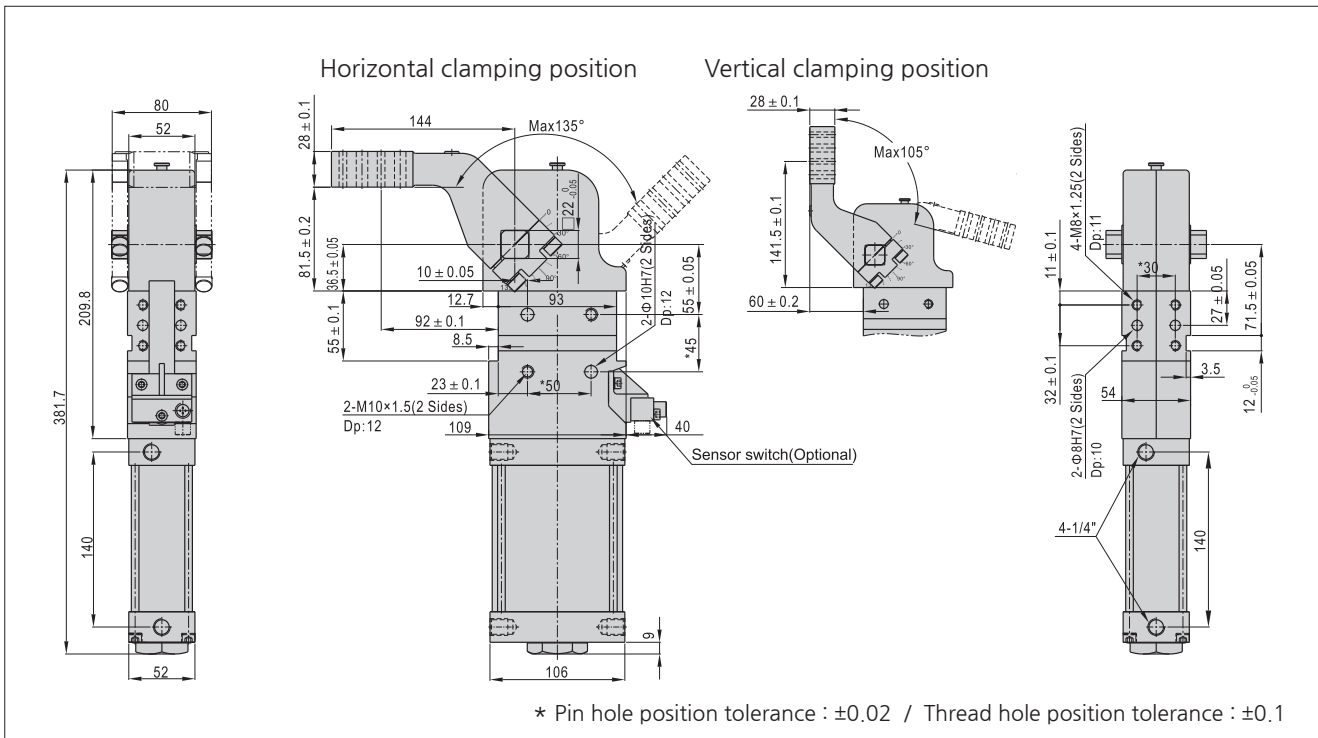
Dimensions(KCKP50AM3,4)



Dimensions(KCKP63AM1,2)



Dimensions(KCKP63AM3,4)



Sensor switch



Operating range	2mm
Voltage range	10~30V DC
Output type	N.O, PNP, NPN
Rated DC	150mA(max)
Frequency	30Hz
Shell material	PBT
Switch status LED	Clamping : Red
	Opening : Yellow
Voltage status LED	Green

DS1 KP 63
① ② ③

① Model

DS1	Sensor switch
-----	---------------

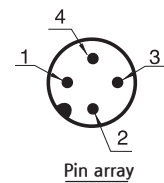
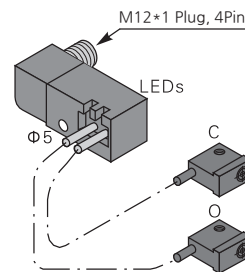
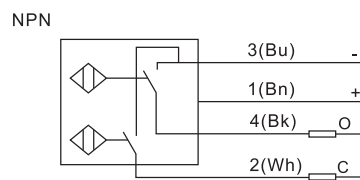
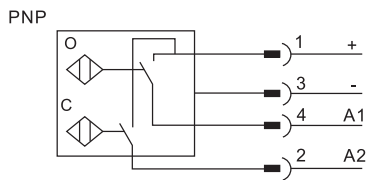
② Output type

KP	PNP
KN	NPN

③ Bore size

63	Bore size: 40,50,63
80	Bore size: 80

Diagram



Clamping arm, Adjustment screw



Accessories / Cylinder type		KCKP40	KCKP50	KCKP63	KCKP80
Adjustment screw	F-KCKP□□X15LM F-KCKP□□X30LM	●	●	●	●
	F-KCKP□□X45LM F-KCKP□□X60LM	●	●	●	●
	F-KCKP□□X75LM F-KCKP□□X90LM	●	●	●	●
	F-KCKP□□X105LM F-KCKP□□X120LM	●	●	●	●
	F-KCKP□□X135LM	●	●	●	●
Clamping arm	F-KCKP□□AM1R F-KCKP□□AM3R	●	●	●	●
	F-KCKP□□AM1C F-KCKP□□AM3C	●	●	●	●
	F-KCKP□□AM1L F-KCKP□□AM3L	●	●	●	●
	F-KCKP□□AM2R F-KCKP□□AM4R		●	●	●
	F-KCKP□□AM2C F-KCKP□□AM4C		●	●	●
	F-KCKP□□AM2L F-KCKP□□AM4L		●	●	●

How to order(Adjustment screw)

① F - KCKP ③ 63 x ④ 135 ⑤ LM

① Accessory code

F	Accessory code
---	----------------

② Cylinder type

KCKP	Power clamp cylinder(Double acting type)
------	--

③ Bore size

40	Ø40
50	Ø50
63	Ø63
80	Ø80

④ Adjustment angle

15	15°
30	30°
45	45°
60	60°
75	75°
90	90°
105	105°
120	120°
135	135°

⑤ Adjustment screw

LM	Adjustment screw
----	------------------

How to order(Clamping arm)

① F - KCKP ③ 63 AM1C ④

① Accessory code

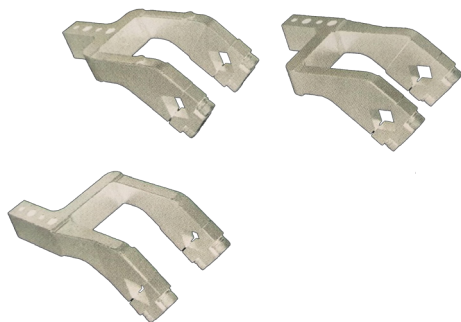
F	Accessory code
---	----------------

② Cylinder Type

KCKP	Power clamp cylinder(Double acting type)
------	--

③ Bore size

40	Ø40
50	Ø50
63	Ø63
80	Ø80

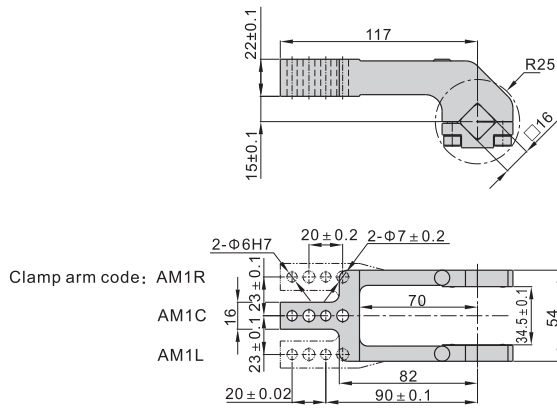


④ Clamping arm

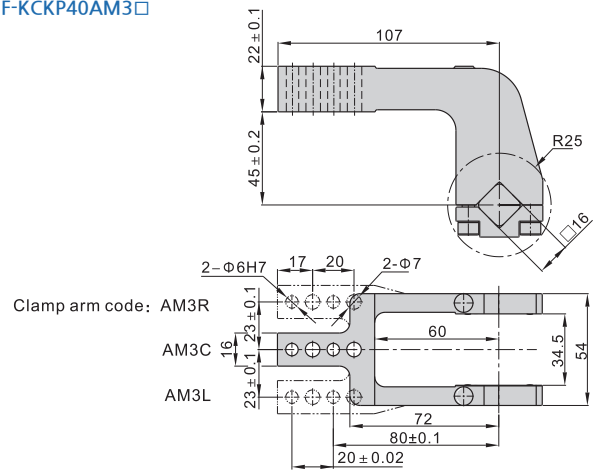
		Nil	None		
Bore size Ø40	15	AM1: Offset 15mm	R	C	L
	45	AM3: Offset 45mm			
	45	AM3: Offset 45mm			
Bore size Ø50	15	AM1: Offset 15mm	R	C	L
	45	AM3: Offset 45mm			
	45	AM3: Offset 45mm			
Bore size Ø63	15	AM2: Offset 15mm	R	C	L
	45	AM4: Offset 45mm			
	45	AM4: Offset 45mm			

Dimensions(Clamping arm)

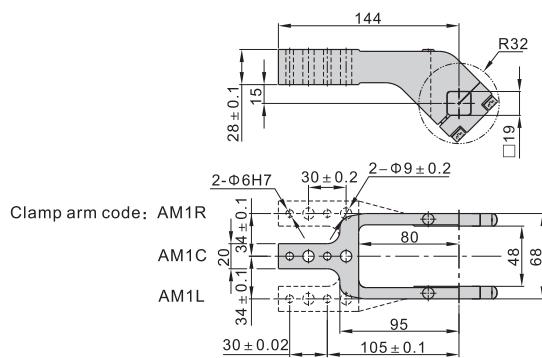
F-KCKP40AM1□



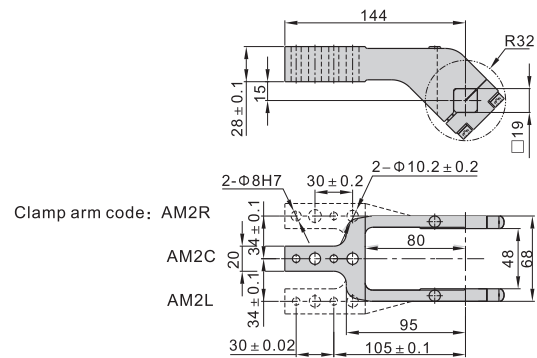
F-KCKP40AM3□



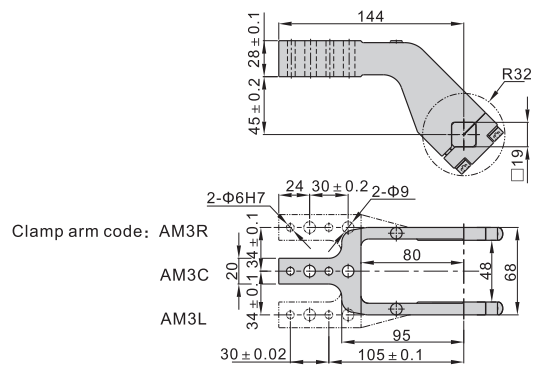
F-KCKP50AM1□



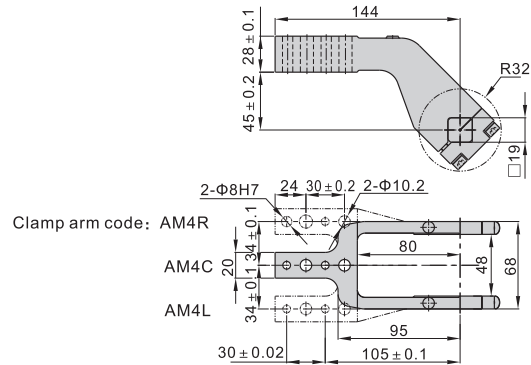
F-KCKP50AM2□



F-KCKP50AM3□

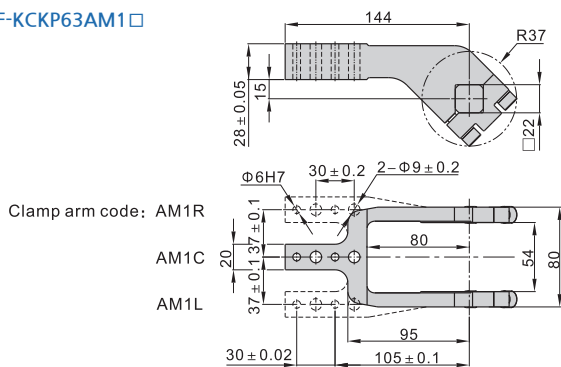


F-KCKP50AM4□

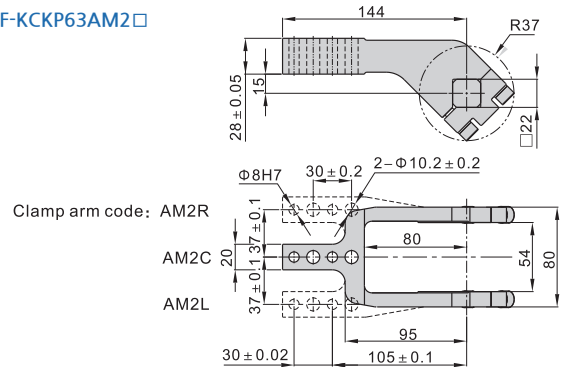


Dimensions(Clamping arm)

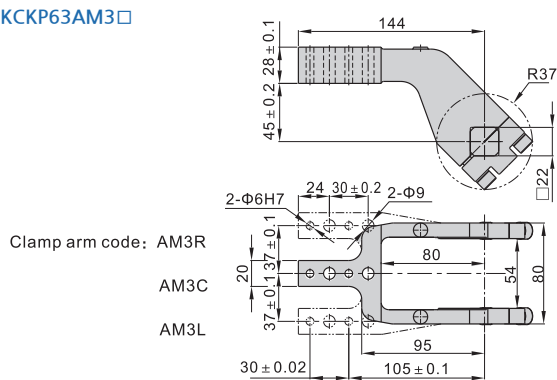
F-KCKP63AM1□



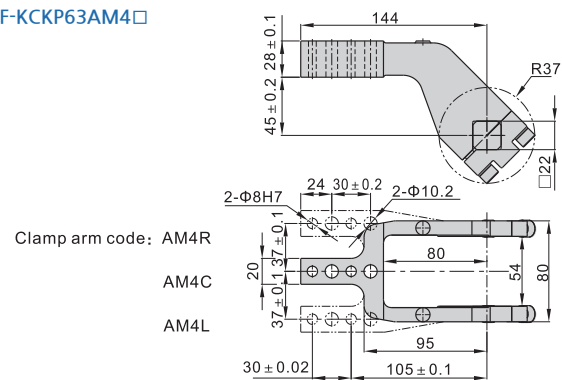
F-KCKP63AM2□



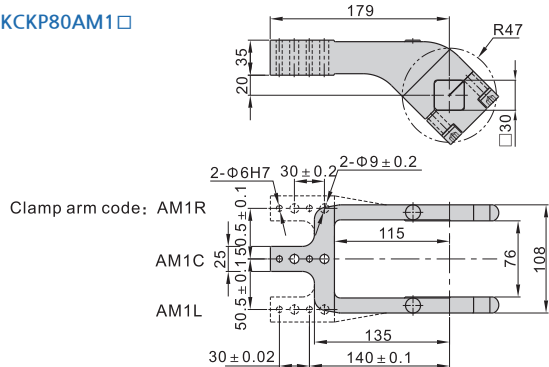
F-KCKP63AM3□



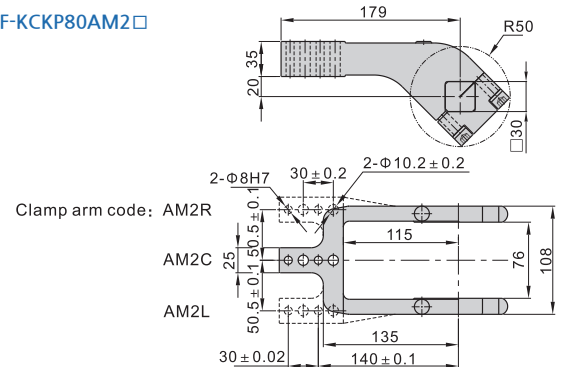
F-KCKP63AM4□



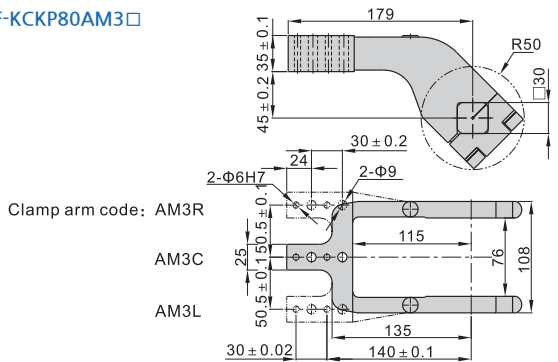
F-KCKP80AM1□



F-KCKP80AM2□



F-KCKP80AM3□



F-KCKP80AM4□

