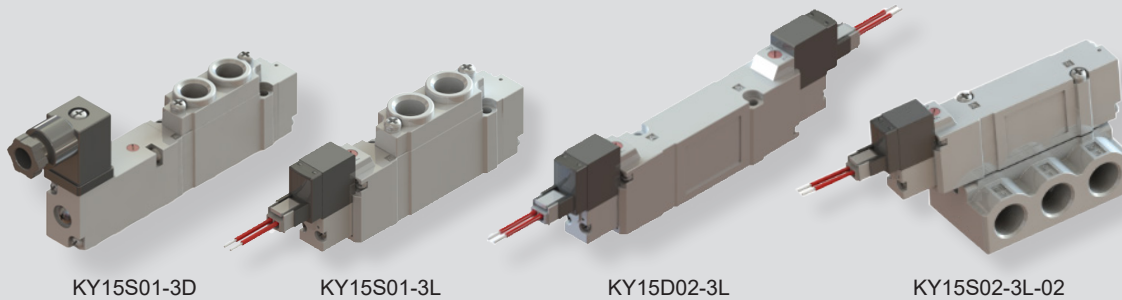


KY series



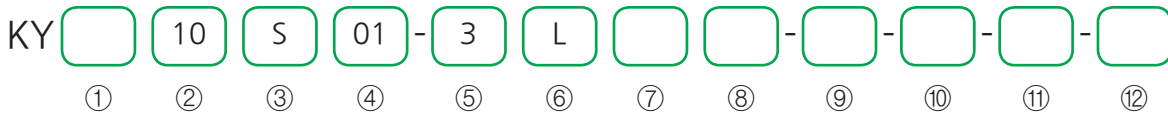
KY15S01-3D

KY15S01-3L

KY15D02-3L

KY15S02-3L-02

How to order



① Port type

Nil	Rc(PT) (Standard)
G	G(PF)

② Series

10	KY10
15	KY15
18	KY18

③ Valve type

Valve type	Symbol
S Single acting	
D Double acting	
H Closed center	
I Pressure center	
J Exhaust center	

④ Pneumatic connection

01	Direct
02	With base

⑤ Voltage

1	AC 100/110V 50/60Hz
2	AC 200/220V 50/60Hz
3	DC 24V
4	DC 12V

※ Custom made with AC24V, AC48V, DC48V, DC100V is available.

⑥ Electrical connection

L (Vertical)	M (Horizontal)
D	DIN Coil + DIN connector
Z	DIN Coil + DIN connector with lamp + Surge suppressor

※ All coil are non-polar.
 ※ Standard plug connector comes with lamp but without surge suppressor.
 ※ Plug connector AC220V: Only vertical (L) type can be ordered.
 ※ Precautions: Please order vertical(L) and horizontal(M) based on the KT100 series.
 ※ Din standard : DIN43650C, 9.4mm, 2P+1E

⑦ Lead wire length (Plug connector L/M only)

Nil	400mm (Standard)
W10	1,000mm
W20	2,000mm
W50	5,000mm

※ AC220V: Using a separate connector housing (3P)
 ※ AC110V, DC12/24V: Using connector housing (2P)

⑧ Manual button

Nil	PL
Non-lock push (Standard)	Push-turn lock

⑨ Seal material

Nil	NBR (Standard)
V	Heat-resistant material

※ Please contact us in advance when ordering heat resistant.

⑩ Port A, B (Direct connection only)

Nil	KY10: M5, KY15: 1/8, KY18: 1/4
C4	KY10: Ø4 fitting
C6	KY15: Ø6 fitting
C8	KY18: Ø8 fitting

⑨ Bracket (Direct connection only)

Nil	None
F1	Foot bracket
F2	Side bracket

※ The foot bracket is only a two-position Single valve.
 ※ Bracket parts are for order production. Please inquire separately.

⑩ Sub base port (Base type only)

Code	Port size	Model
Nil	None	
01	1/8	KY10
02	1/4	KY15/18
03	3/8	KY18

※ When ordering a direct connection type solenoid valve, the manifold mounting screws and gasket are not included.

※ When ordering a solenoid valve with a base type as a Single unit, the mounting screw and gasket for the manifold are attached.

Features

- High durability even without extra lubrication.
- Small size and space saving.
- Low current consumer which are suitable for PLC and computer control system

Pneumatic solenoid valve(5 Port Pilot/Non Lubricated)

Direct type specification

Direct connection type(Format symbol reference)

Code	Model	P	A, B	R1, R2
Nil	KY10	M5		
	KY15	Rc(PT)1/8		
	KY18	Rc(PT)1/4	Rc(PT)1/8	
G	KY10	-		
	KY15	G(PF)1/8		
	KY18	G(PF)1/4	G(PF)1/8	
C4	KY10	M5	Ø4 One-touch fitting	M5
C6	KY15	Rc(PT)1/8	Ø6 One-touch fitting	Rc(PT)1/8
C8	KY18	Rc(PT)1/4	Ø8 One-touch fitting	Rc(PT)1/8
-	KY10	-		
G-C6	KY15	G(PF)1/8	Ø6 One-touch fitting	G(PF)1/8
G-C8	KY18	G(PF)1/4	Ø8 One-touch fitting	G(PF)1/8

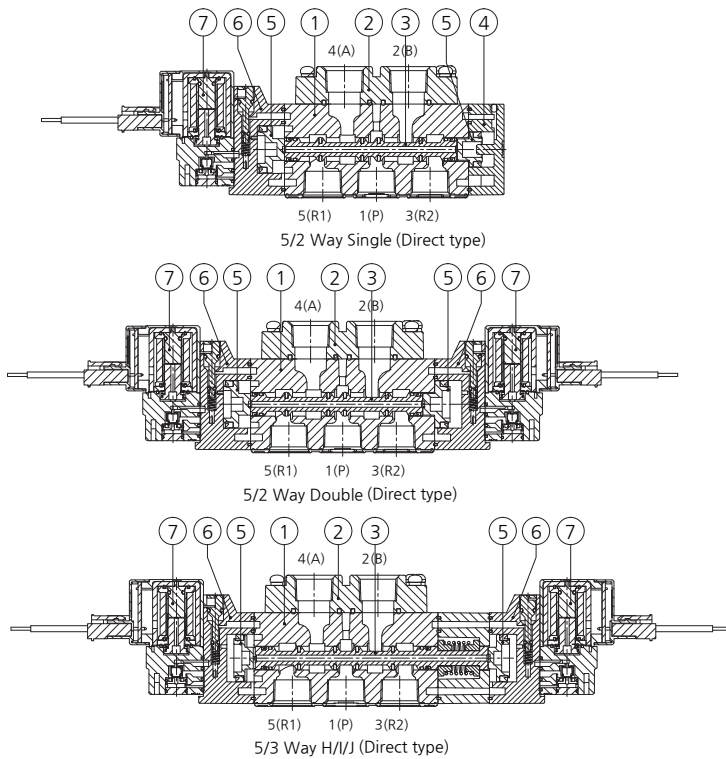
Port block(NO/NC)(Format symbol reference)

Code	Model	P	A, B	R1, R2
Nil	KY10	M5		
	KY15	Rc(PT)1/8		
	KY18	Rc(PT)1/4		
G	KY10	-		
	KY15	G(PF)1/8		
	KY18	G(PF)1/4		
C4	KY10	Ø4 One-touch fitting		
C6	KY15	Ø6 One-touch fitting		
C8	KY18	Ø8 One-touch fitting		

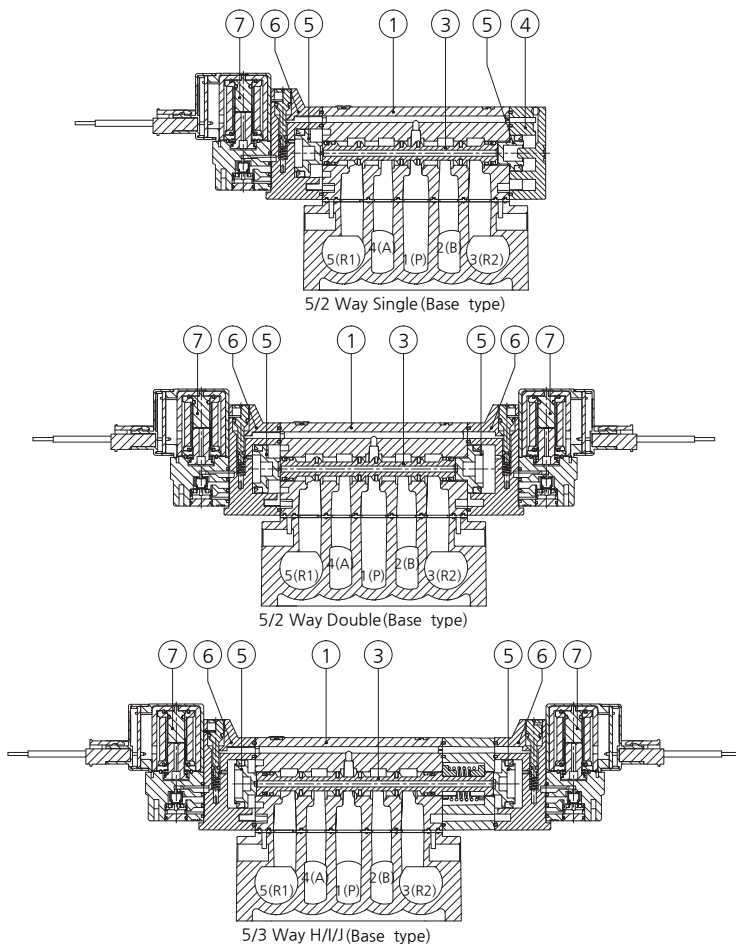
Specifications

Code		KY10	KY15	KY18
Fluid		Air, Inert gas		
Effective sectional area Smm ² (Cv)	S / D	2.9(0.16)	9.0(0.5)	14.4(0.8)
	H / I / J	3.3(0.18)	7.2(0.4)	10.8(0.6)
Operating Pressure	S	0.15~0.7MPa(1.5 ~ 7.0kgf/cm ²)		
	D	0.1~0.7MPa(1.0 ~ 7.0kgf/cm ²)		
	H / I / J	0.2~0.7MPa(2.0 ~ 7.0kgf/cm ²)		
Max. operating frequency (Cycle/sec)	S / D	10	5	5
	H / I / J	3	3	3
Response time (at 0.5MPa)	S	≤ 12ms	≤ 19ms	≤ 31ms
	D	≤ 10ms	≤ 18ms	≤ 27ms
	H / I / J	≤ 15ms	≤ 32ms	≤ 50ms
Lubrication		Not required (but, Turbine oil ISO VG32 or equivalent when lubrication is available.)		
Manual override		Push-turn lock type		
Apparent electric power	AC100V 50Hz/110V 60Hz	Plug connector	1.02VA / 1.24VA	
		DIN connector	-	3.50VA/3.94VA
	AC200V 50Hz/220V 60Hz	Plug connector	1.58VA / 1.90VA	
		DIN connector	-	3.34VA/3.78VA
Power consumption	DC12/24V	Plug connector	1.0W	
		DIN connector	-	2.7W/3.0W
Normal Voltage	AC	AC100V 50Hz/110V 60Hz AC200V 50Hz/220V 60Hz		
	DC	DC12/24V		
Allowable voltage		±10% rated voltage		
Ambient temperature		-5°C ~ +50°C (No freezing)		
Coil insulation		Class B (Less than 130°C)		
Operation method		Internal pilot		
Method of exhaust pilot		Main valve · Pilot assembly exhaust type		
Impact / Vibration resistance		150/30ms ²		
Protection structure		Dust proof		
Electrical connection		Plug connector, Din connector		

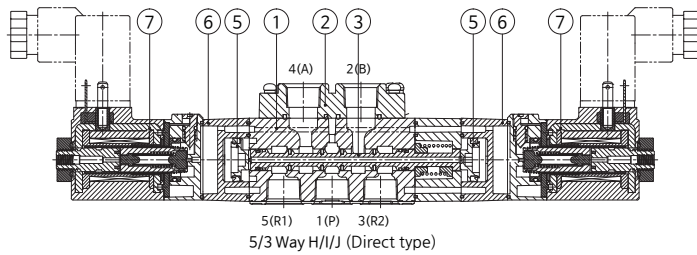
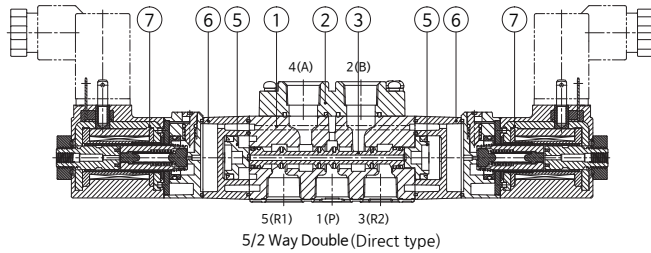
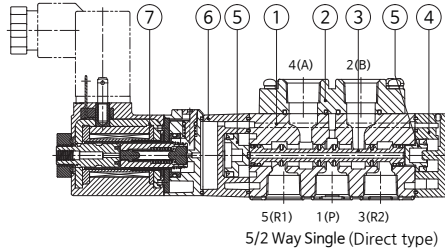
Structure(Plug connector) KY10 / 15 / 18



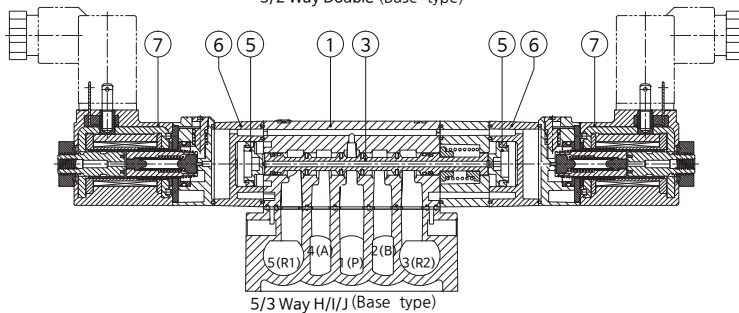
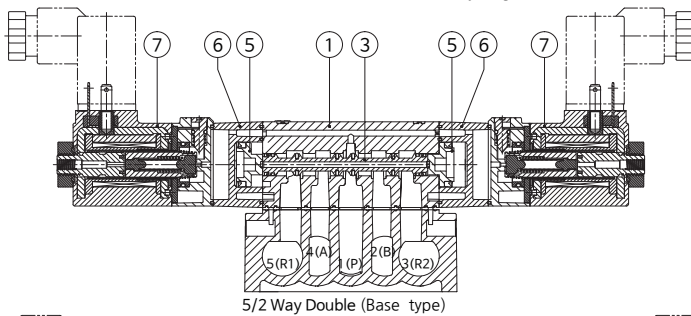
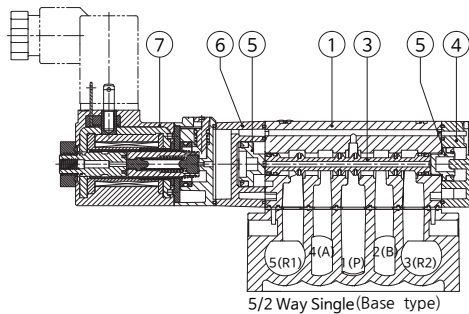
No	Parts	Material
1	BODY	AL or ZnDC
2	PORT BLOCK	AL or ZnDC
3	SPOOL ASS'Y	AL, Rubber
4	COVER	Resin
5	PISTON	Resin
6	PILOT ASS'Y	-
7	SOLENOID ASS'Y	-



Structure(DIN connector) KY15 / 18

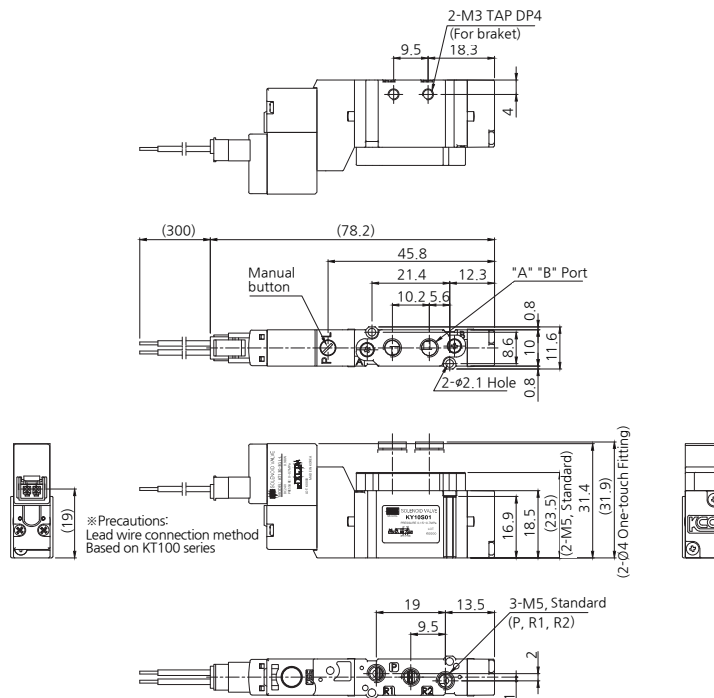


No	Parts	Material
1	BODY	AL or ZnDC
2	PORT BLOCK	AL or ZnDC
3	SPOOL ASS'Y	AL, Rubber
4	COVER	Resin
5	PISTON	Resin
6	PILOT ASS'Y	-
7	SOLENOID ASS'Y	-

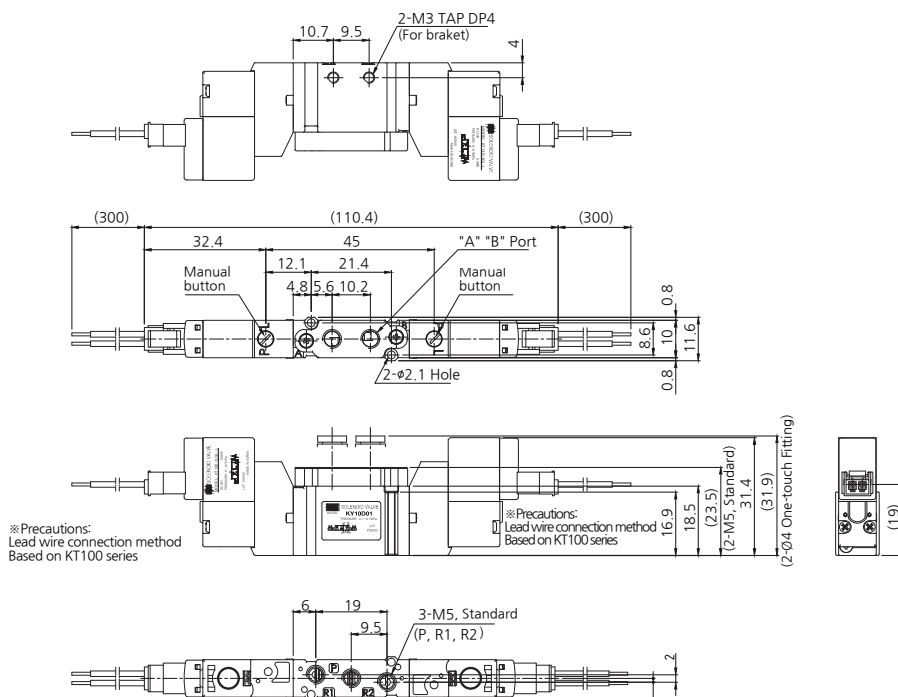


Dimensions / KY10(Direct connection)

Single (KY10S01) - Plug connector

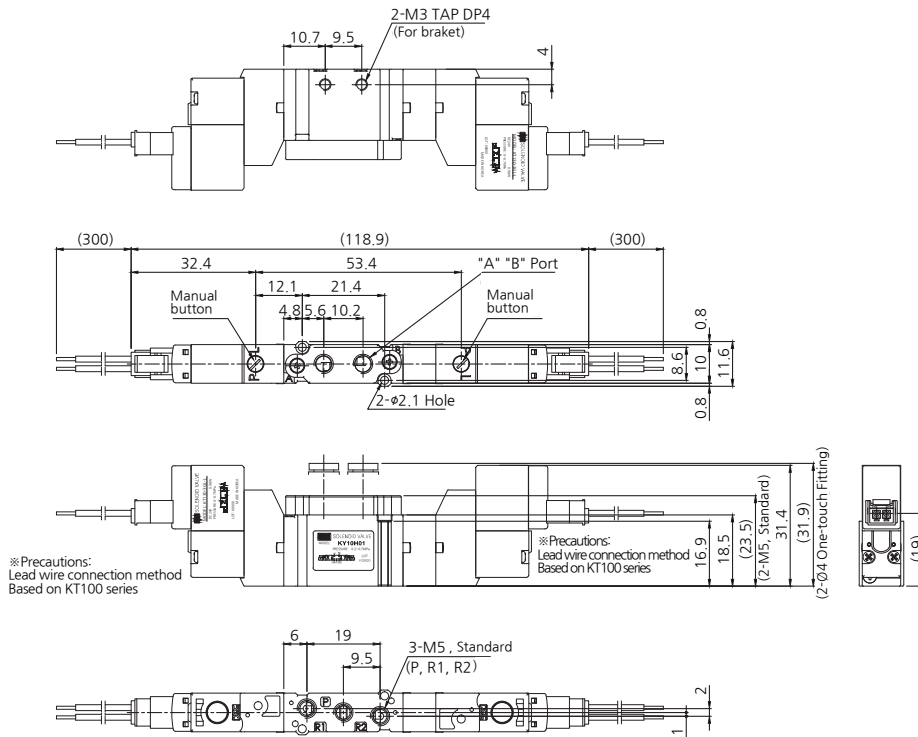


Double (KY10D01) - Plug connector



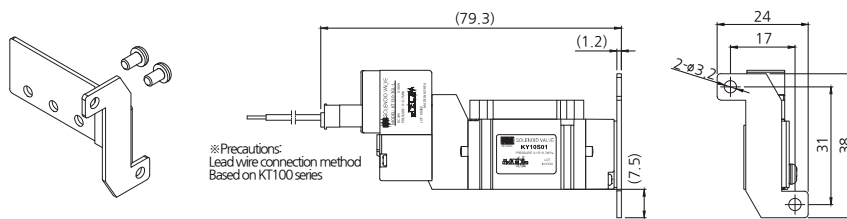
Dimensions / KY10(Direct connection)

3 Position (KY10H/I/J01) - Plug connector

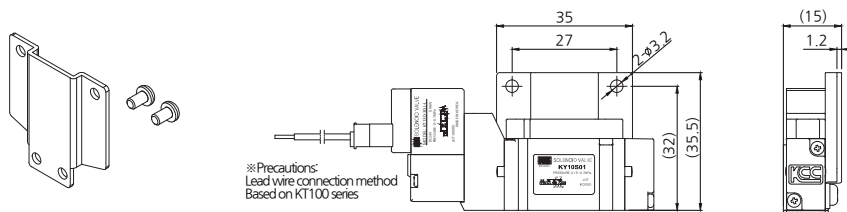


Option parts / KY10(Direct connection)

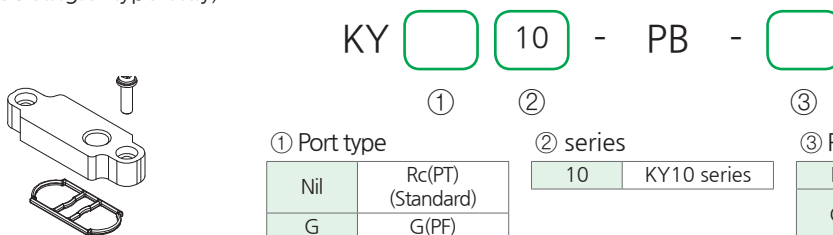
Attaching the Foot Bracket(KY10-F1) - under development



Attaching side brackets(KY10-F2) - under development



Port block(NO, NC Single type only)



※One-touch fitting type is also Nil.

How to order

KYMF 10 01 - 05

① ② ③ ④

① Port type

Nil	Rc(PT) (Standard)
G	G(PF)
C4	Ø4 One-touch fitting

② Series

10	KY10 series
----	-------------

③ Pneumatic connection

01	Direct connection type
----	------------------------

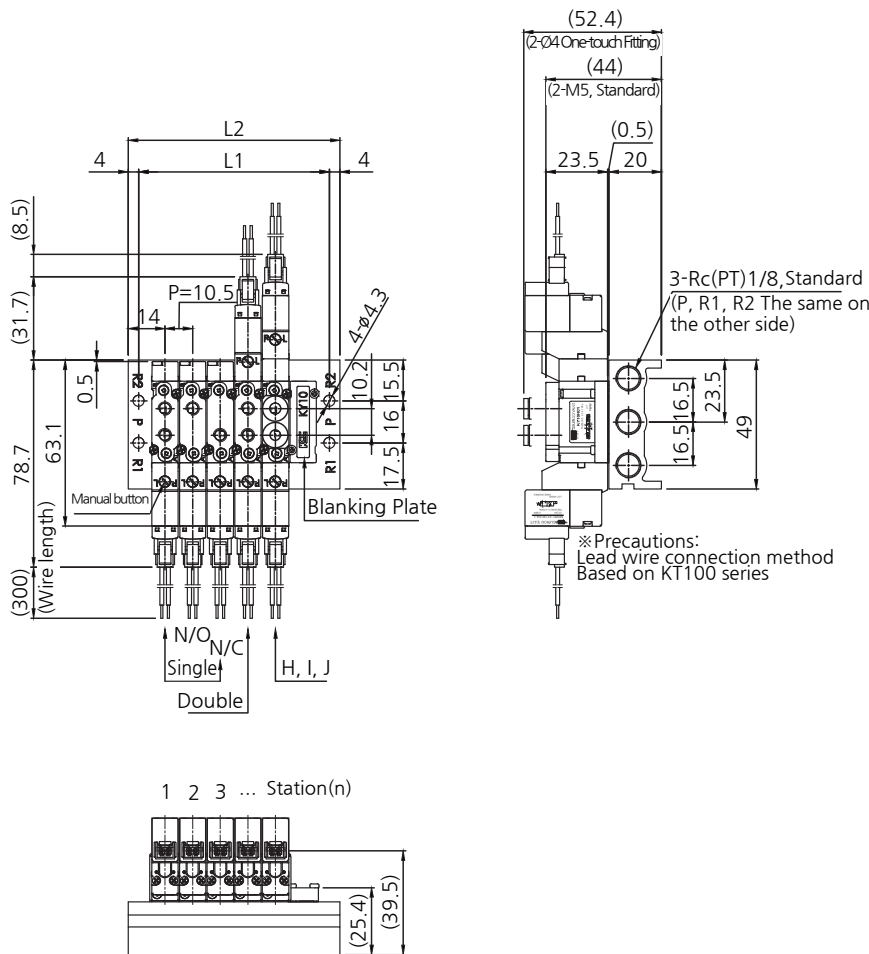
④ Station

02	2 Station
03	3 Station
:	:
20	20 Station

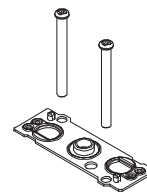
※When ordering the manifolds, the mounting bolts and port plugs are attached.
 ※When ordering a direct connection manifold, valve mounting screws and gaskets are attached in proportion to the station.
 ※When ordering a base connection type manifold, valve mounting screws and gaskets are not included.

Dimensions / KY10(Direct connection, manifold)

Plug connector

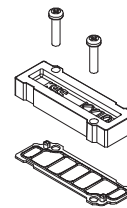


Body gasket



Model : KY1001-BG

Blanking plate



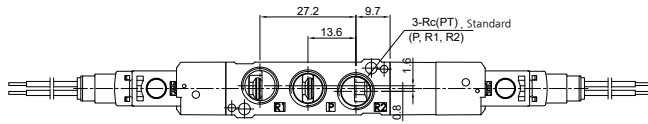
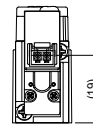
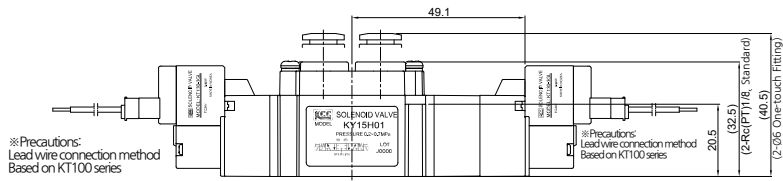
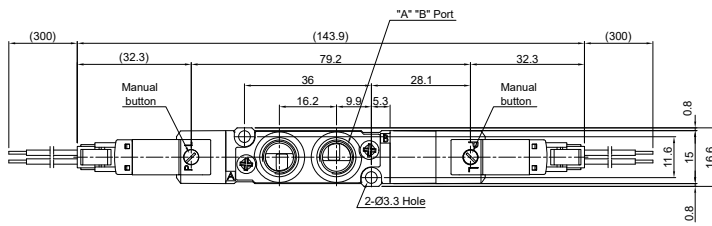
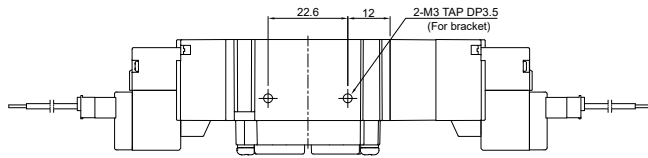
Model : KY10-BP

※The actual shape can vary

series(n)	2	3	4	5	6	7	8	9	10	11	12	13	14	15	16	17	18	19	20
L1	30.5	41	51.5	62	72.5	83	93.5	104	114.5	125	135.5	146	156.5	167	177.5	188	198.5	209	219.5
L2	38.5	49	59.5	70	80.5	91	101.5	112	122.5	133	143.5	154	164.5	175	185.5	196	206.5	217	227.5

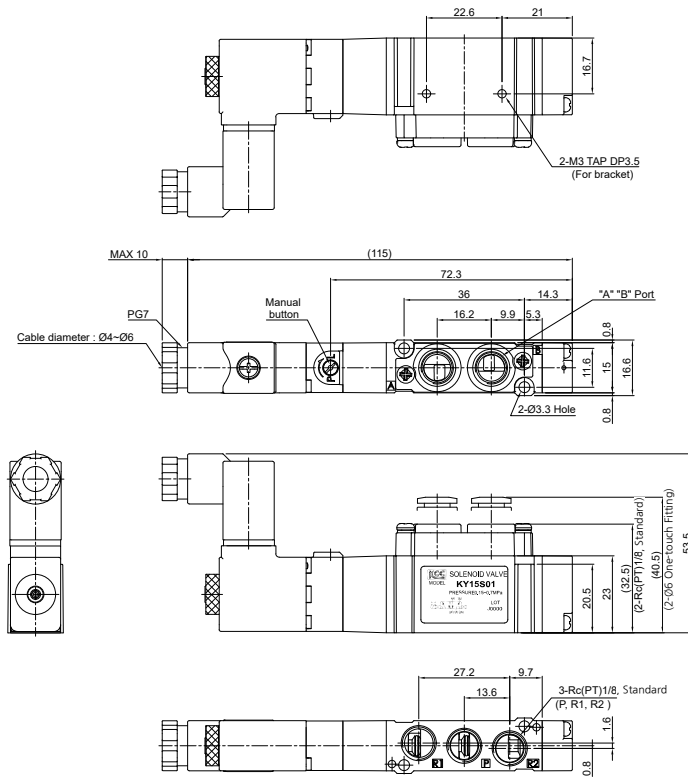
Dimensions / KY15(Direct connection)

KY15H/I/J01 - 3 Position

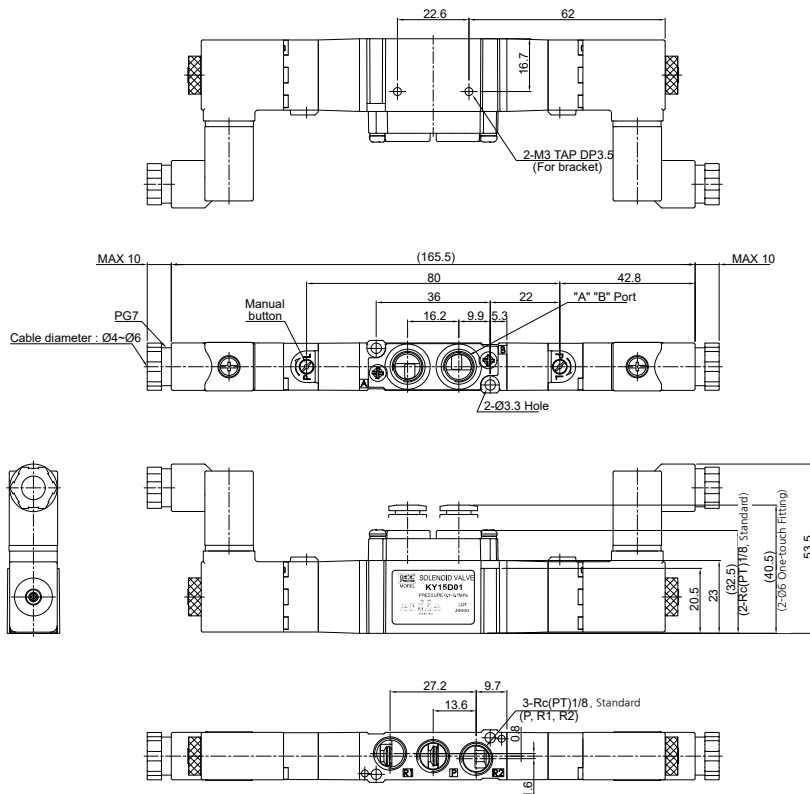


Dimensions / KY15(Direct connection)

Single (KY15S01) - DIN connector

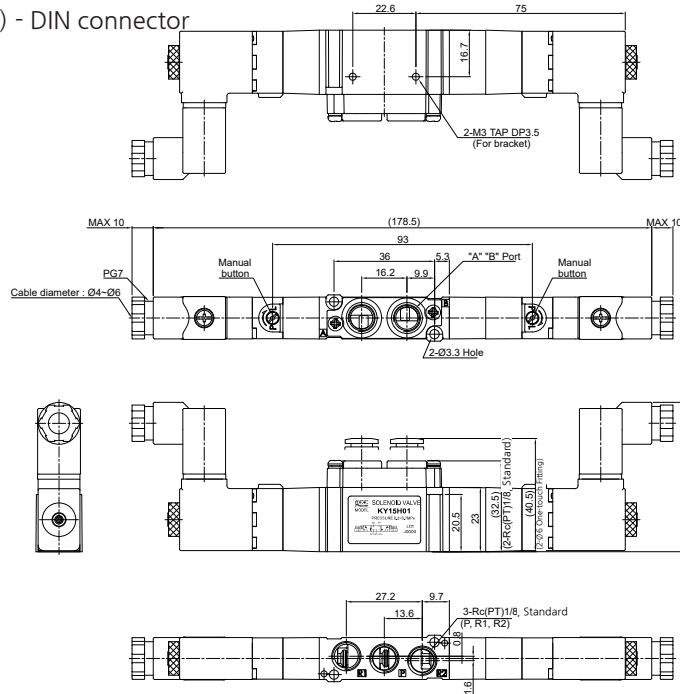


Double (KY15D01) - DIN connector



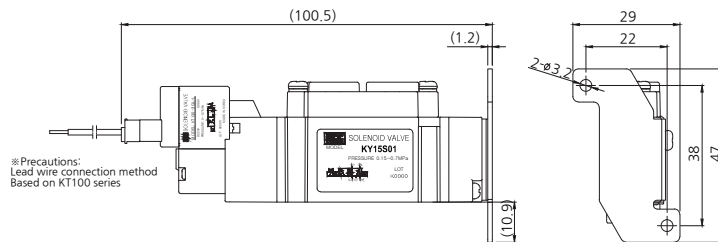
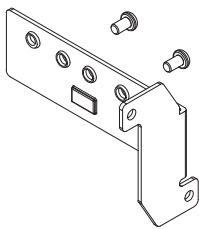
Dimensions / KY15(Direct connection)

3 Position (KY15H/I/J01) - DIN connector

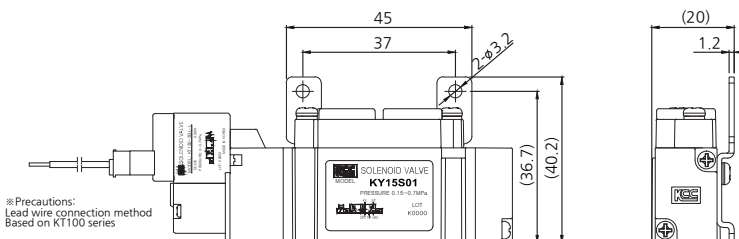
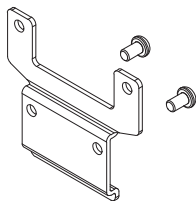


Option parts / KY15(Direct connection)

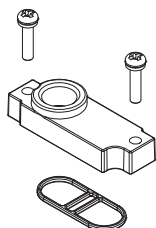
Foot Bracket attached(KY15-F1) - under development



Side Bracket attached(KY15-F2) - under development



Port block(NO, NC Single type only)



KY 15 - PB -

① Port type ② series ③ Port size

Nil	Rc(PT) (Standard)	15	KY15 series	Nil	1/8
G	G(PF)			C6	Ø6 One-touch fitting

※ One-touch fitting type is also Nil.

How to order

KYMF 15 01 - 05

① ② ③ ④

① Port type

Nil	Rc(PT) (Standard)
G	G(PF)
C6	Ø6 One-touch fitting

② series

15	KY15 series
----	-------------

③ Pneumatic connection

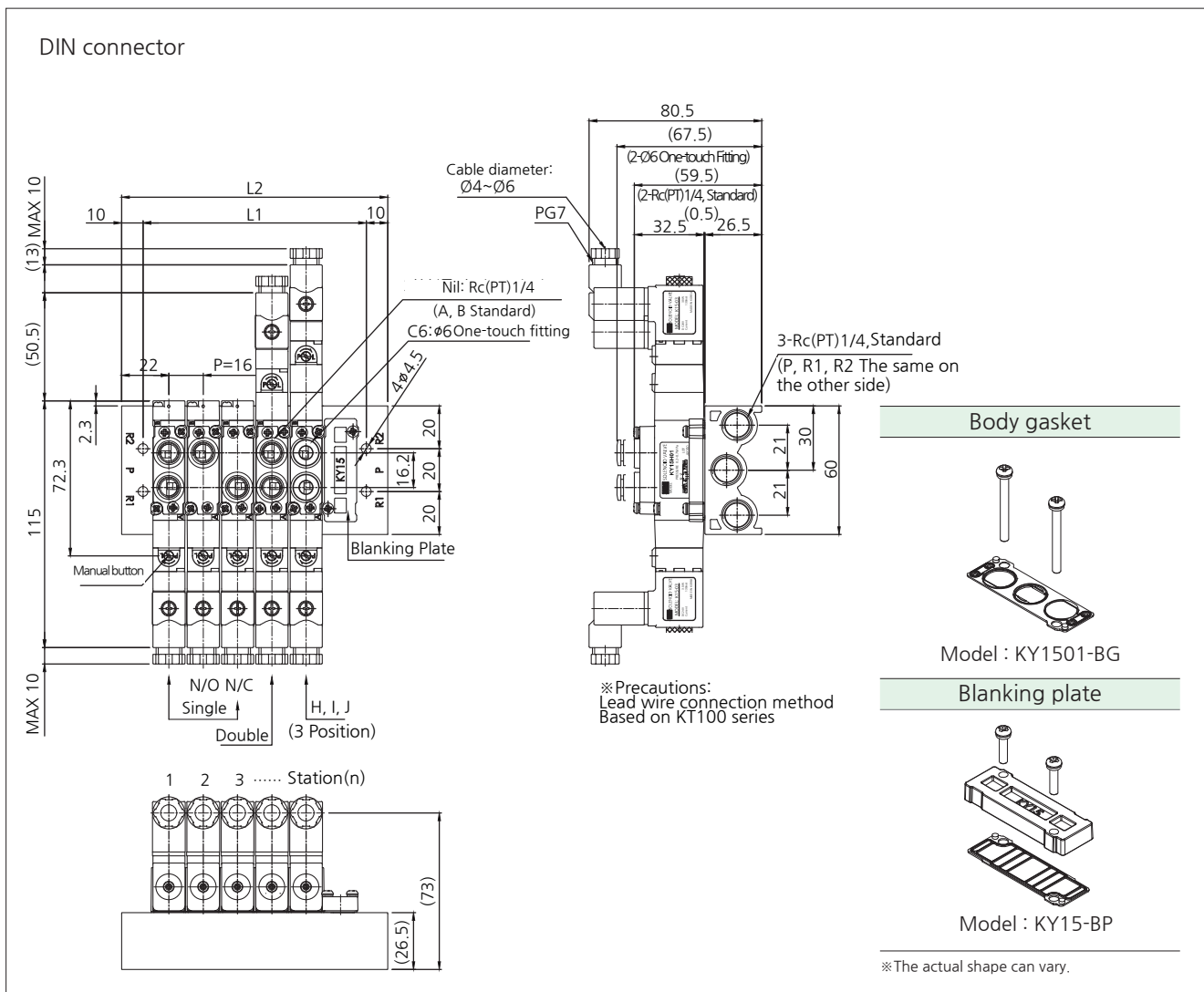
01	Direct connection
----	-------------------

④ series

02	2 Station
03	3 Station
:	:
20	20 Station

- ※When ordering the manifolds, the mounting bolts and port plugs are attached.
- ※When ordering a direct connection manifold, valve mounting screws and gaskets are attached in proportion to the station.
- ※When ordering a base connection type manifold, valve mounting screws and gaskets are not included.

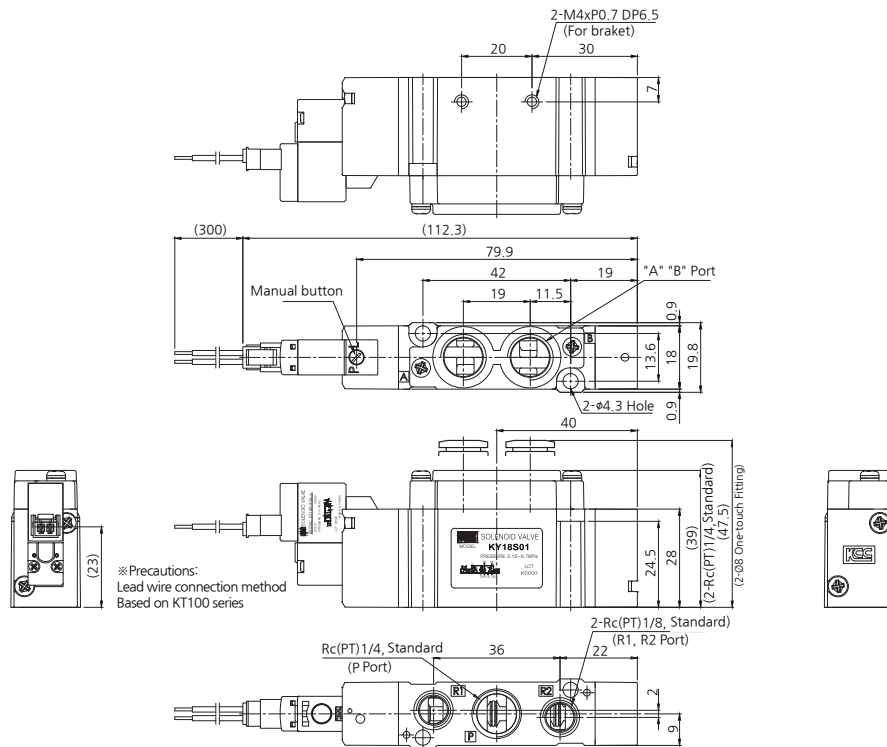
Dimensions / KY15(Direct connection, Manifold)



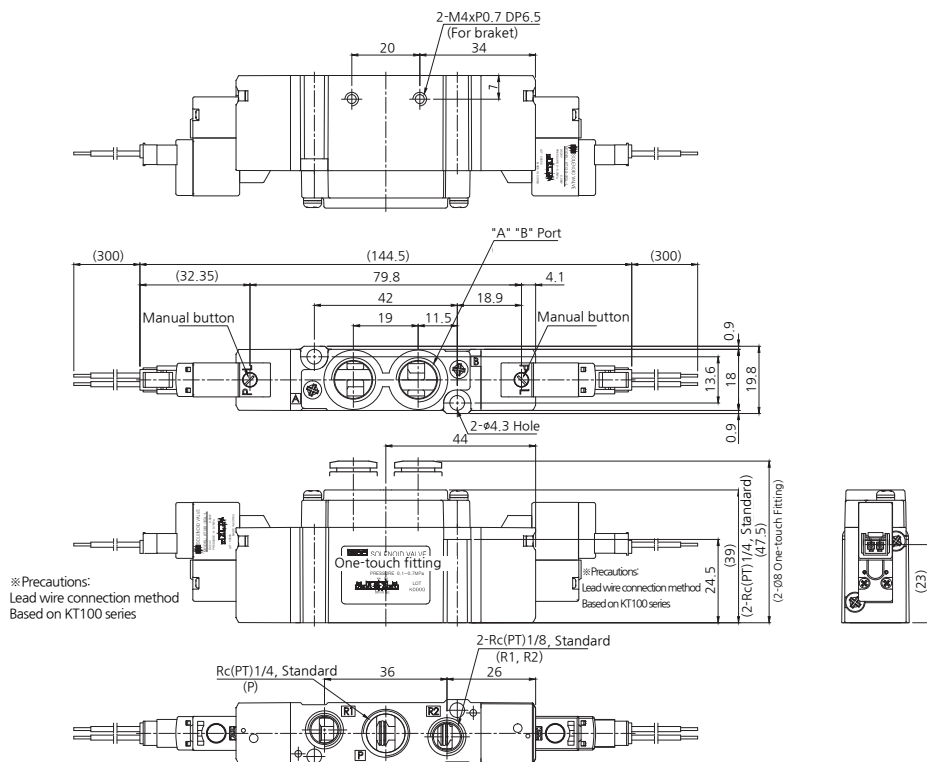
series(n)	2	3	4	5	6	7	8	9	10	11	12	13	14	15	16	17	18	19	20
L1	40	56	72	88	104	120	136	152	168	184	200	216	232	248	264	280	296	312	328
L2	60	76	92	108	124	140	156	172	188	204	220	236	252	268	284	300	316	332	348

Dimensions / KY18(Direct connection)

Single (KY18S01) - Plug connector

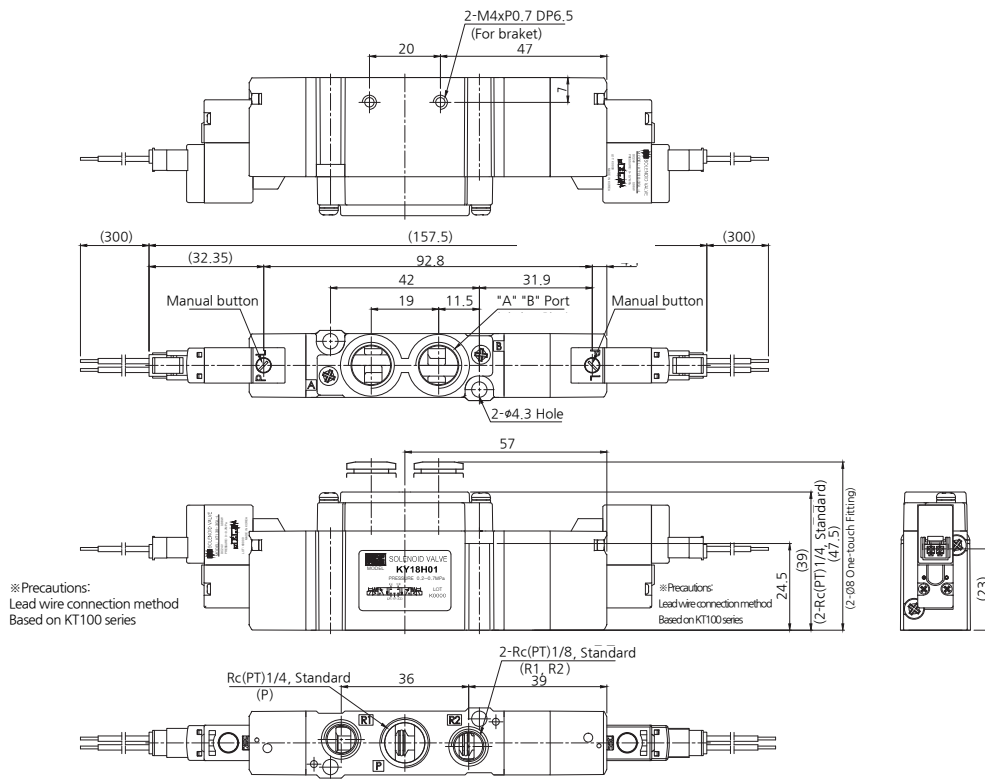


Double (KY18D01) - Plug connector



Dimensions / KY18(Direct connection)

3 Position (KY18H/I/J01) - Plug connector



How to order

KYMF 18 01 - 05
 ① ② ③ ④

① Port type

Nil	Rc(PT) (Standard)
G	G(PF)
C8	Ø8 One-touch fitting

② series

18	KY18 series
----	-------------

③ Pneumatic connection

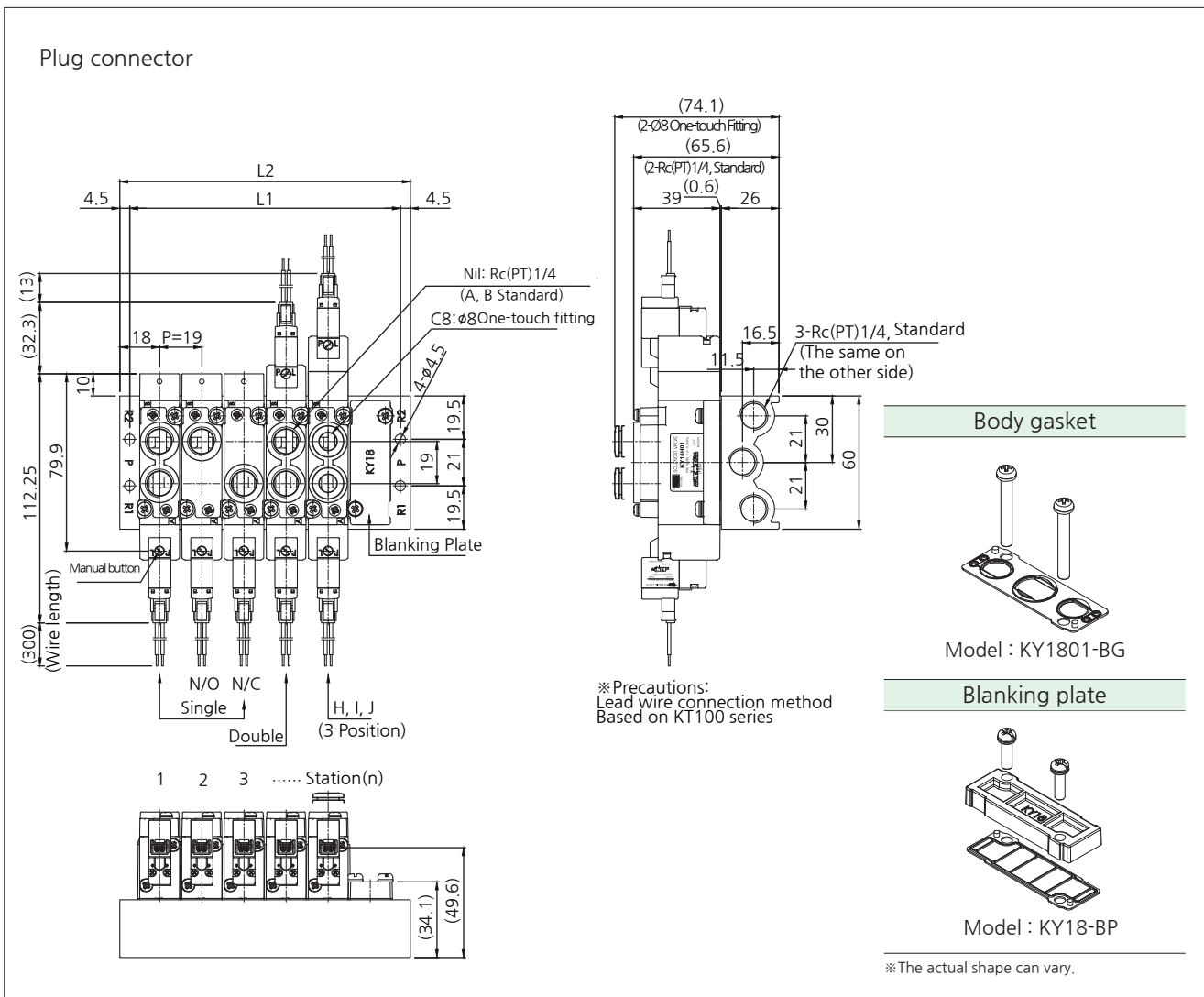
01	Direct connection
----	-------------------

④ series

02	2 Station
03	3 Station
:	:
20	20 Station

- ※When ordering the manifolds, the mounting bolts and port plugs are attached.
- ※When ordering a direct connection manifold, valve mounting screws and gaskets are attached in proportion to the station.
- ※When ordering a base connection type manifold, valve mounting screws and gaskets are not included.

Dimensions / KY18(Direct connection, Manifold)



series(n)	2	3	4	5	6	7	8	9	10	11	12	13	14	15	16	17	18	19	20
L1	46	65	84	103	122	141	160	179	198	217	236	255	274	293	312	331	350	369	388
L2	55	74	93	112	131	150	169	188	207	226	245	264	283	302	321	340	359	378	397

How to order

KYMF 18 01 - 05

① ② ③ ④

① Port type

Nil	Rc(PT) (Standard)
G	G(PF)
C8	Ø8 One-touch fitting

② series

18	KY18 series
----	-------------

③ Pneumatic connection

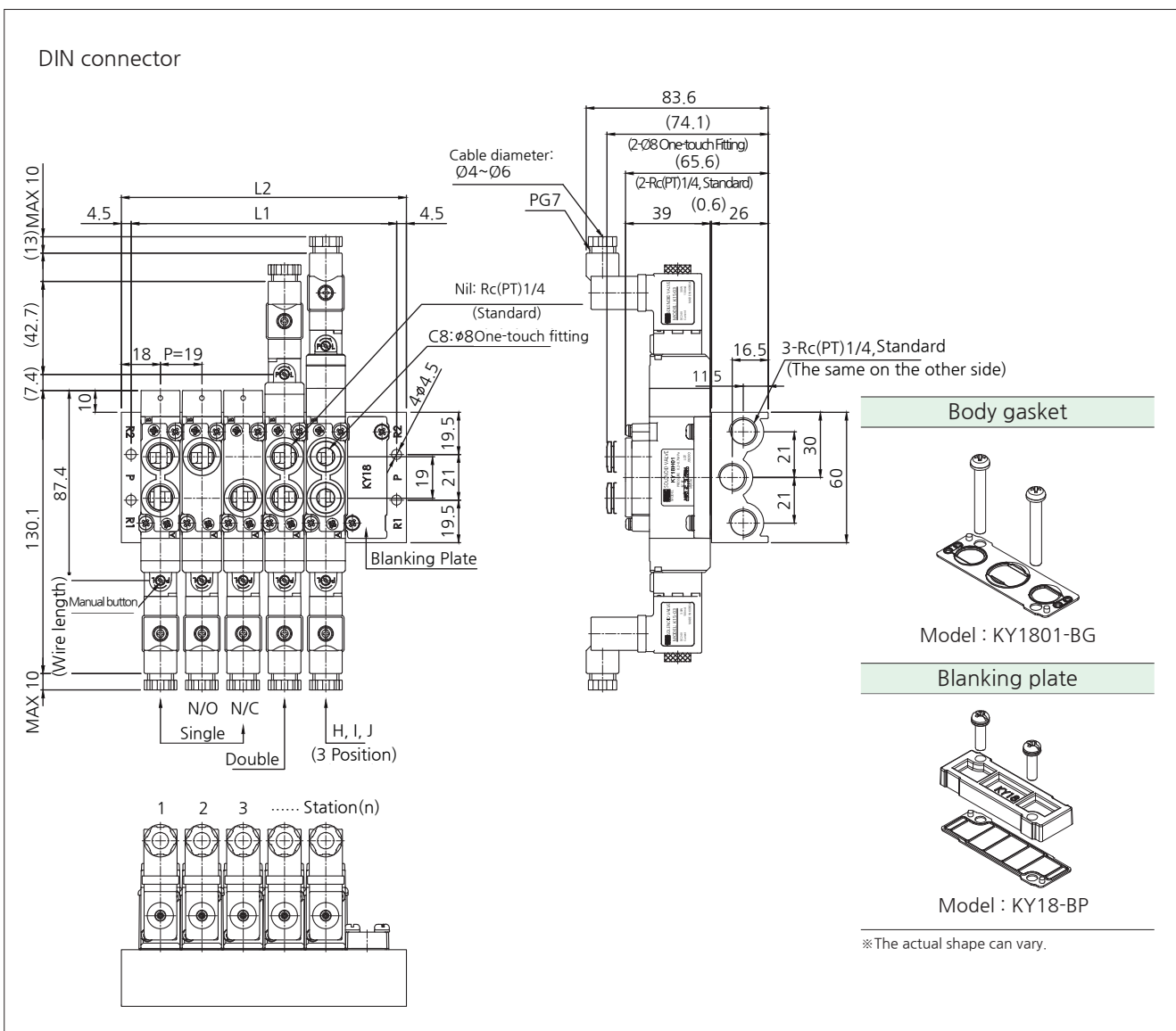
01	Direct connection
----	-------------------

④ series

02	2 Station
03	3 Station
:	:
20	20 Station

※When ordering the manifolds, the mounting bolts and port plugs are attached.
 ※When ordering a direct connection manifold, valve mounting screws and gaskets are attached in proportion to the station.
 ※When ordering a base connection type manifold, valve mounting screws and gaskets are not included.

Dimensions / KY18(Direct connection, Manifold)

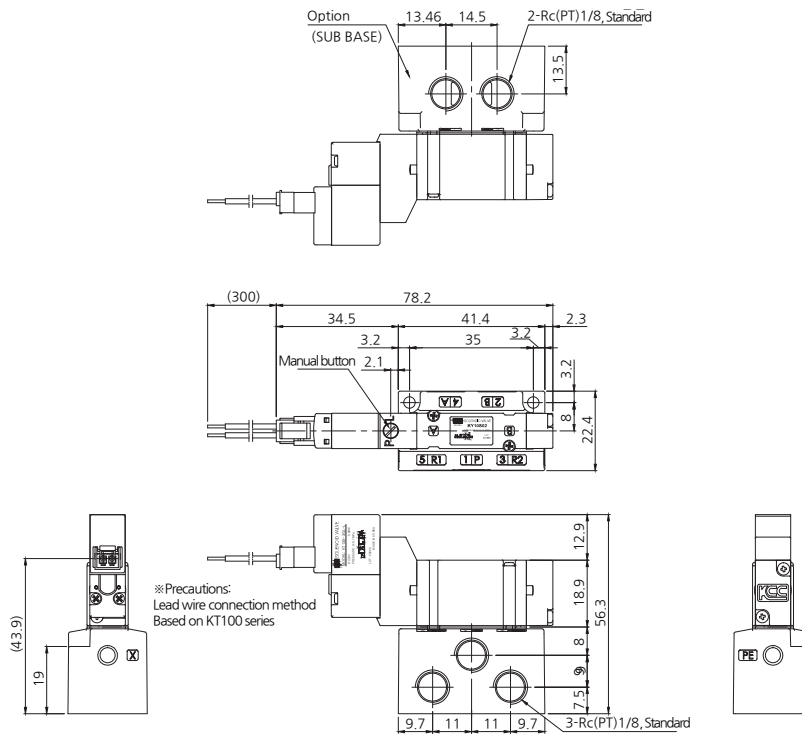


※The actual shape can vary.

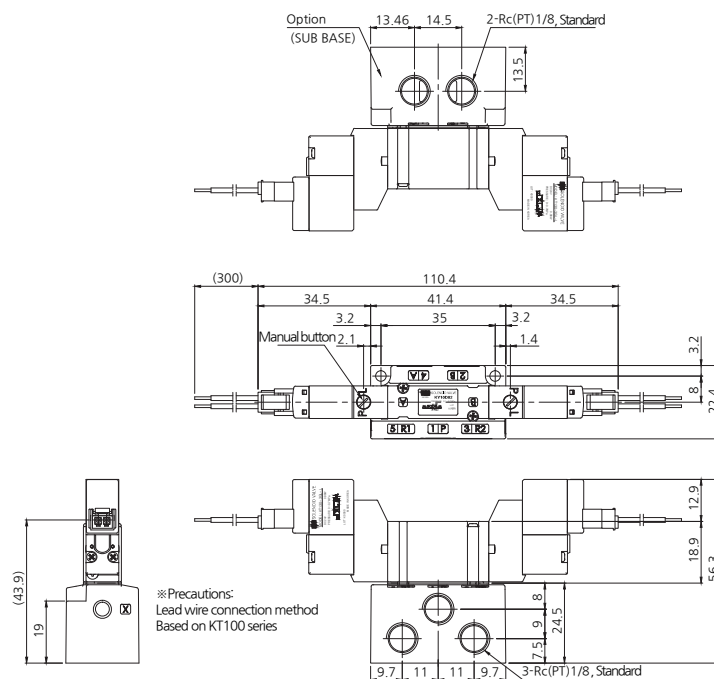
series(n)	2	3	4	5	6	7	8	9	10	11	12	13	14	15	16	17	18	19	20
L1	46	65	84	103	122	141	160	179	198	217	236	255	274	293	312	331	350	369	388
L2	55	74	93	112	131	150	169	188	207	226	245	264	283	302	321	340	359	378	397

Dimensions / KY10(Base connection type)

Single (KY10S02) - Plug connector

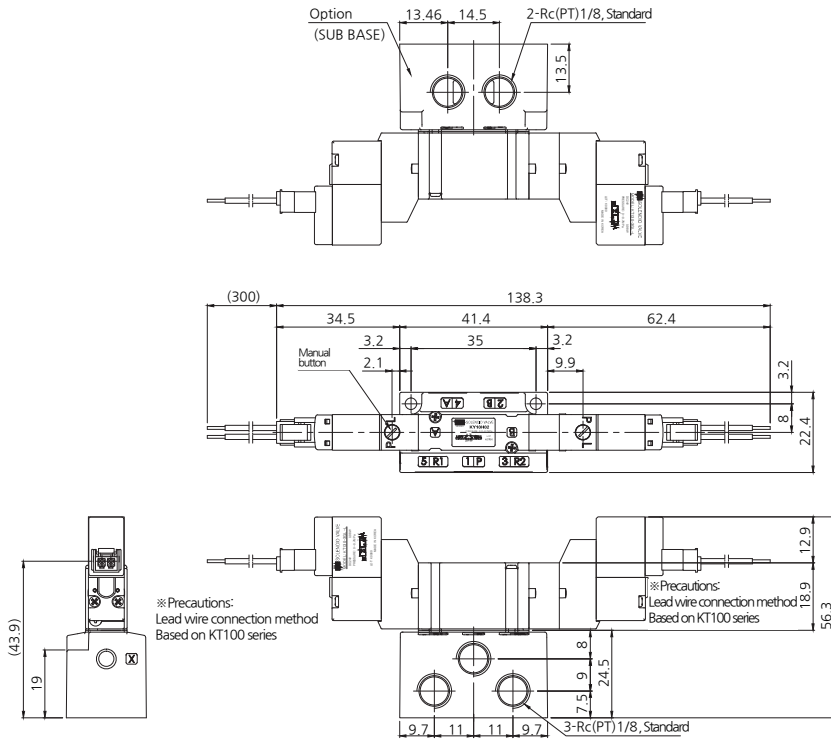


Double (KY10D02) - Plug connector



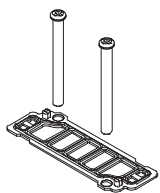
Dimensions / KY10(Base connection type)

3 Position (KY10H/I/J02) - Plug connector



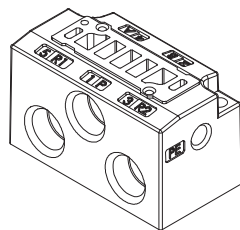
Option parts / KY10(Base connection type)

Body gasket



Model : KY1002-BG

KY10 Sub base



KY 10 - SB -

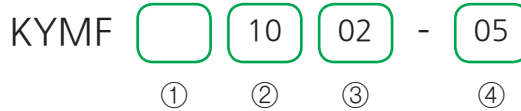
① ② ③

① Port type ② series ③ Port size

Nil	Rc(PT) (Standard)	10	KY10 series	01	1/8
G	G(PF)				

※ Mounting bolts and valve gaskets are not included.

How to order / KY10(Base connection type, Manifold)



① Port type

Nil	Rc(PT) (Standard)
G	G(PF)
C4	Ø4 One-touch fitting

② series

10	KY10 series
----	-------------

③ Pneumatic connection

02	Base connection type
----	----------------------

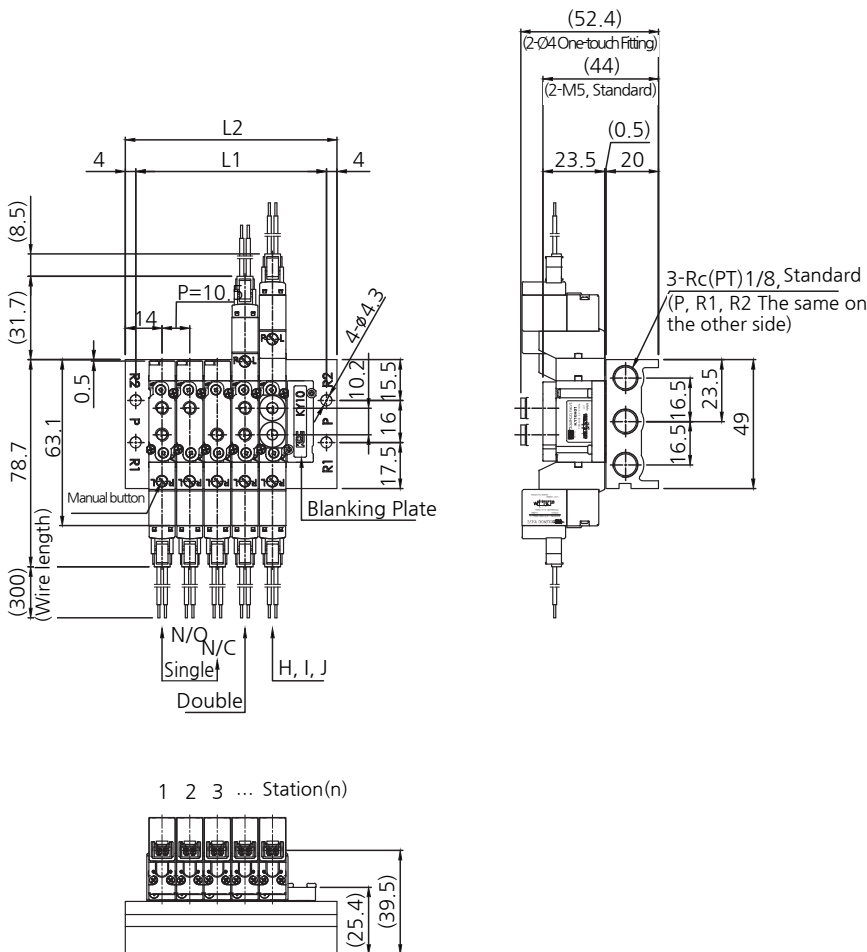
④ series

02	2 Station
03	3 Station
:	:
20	20 Station

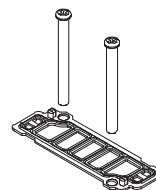
- ※When ordering the manifolds, the mounting bolts and port plugs are attached.
- ※When ordering a direct connection manifold, valve mounting screws and gaskets are attached in proportion to the station.
- ※When ordering a base connection type manifold, valve mounting screws and gaskets are not included.

Dimensions / KY10(Base connection type, Manifold)

Plug connector

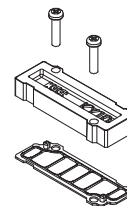


Body gasket



Model : KY1002-BG

Blanking plate



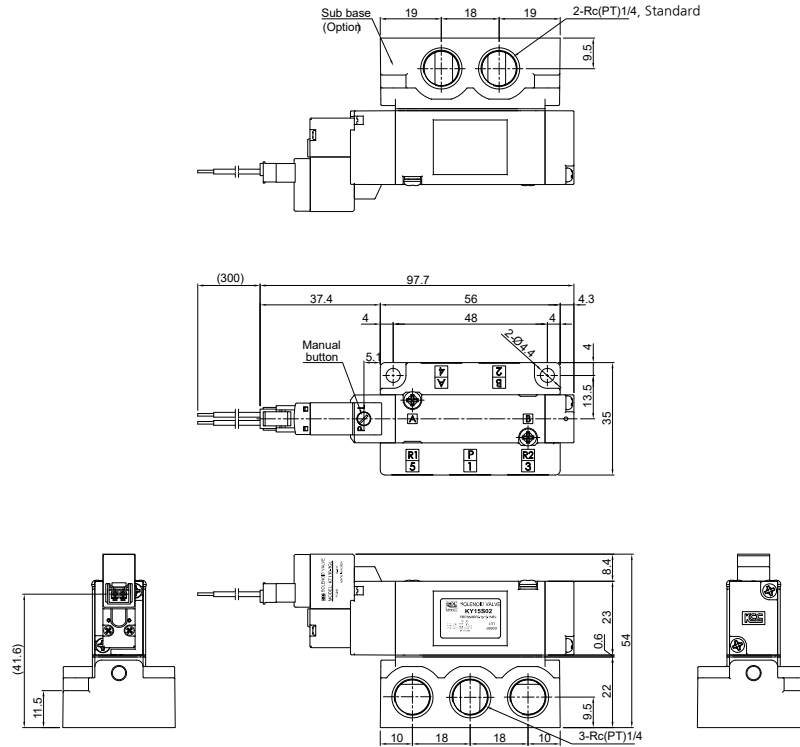
Model : KY10-BP

※The actual shape can vary.

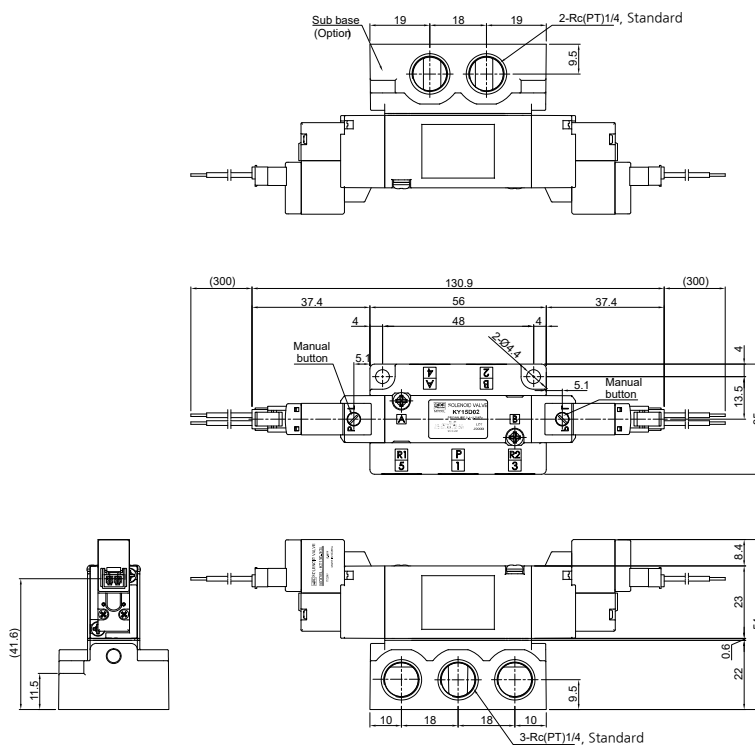
series(n)	2	3	4	5	6	7	8	9	10	11	12	13	14	15	16	17	18	19	20
L1	30.5	41	51.5	62	72.5	83	93.5	104	114.5	125	135.5	146	156.5	167	177.5	188	198.5	209	219.5
L2	38.5	49	59.5	70	80.5	91	101.5	112	122.5	133	143.5	154	164.5	175	185.5	196	206.5	217	227.5

Dimensions / KY15(Base connection type)

Single (KY15S02) - Plug connector

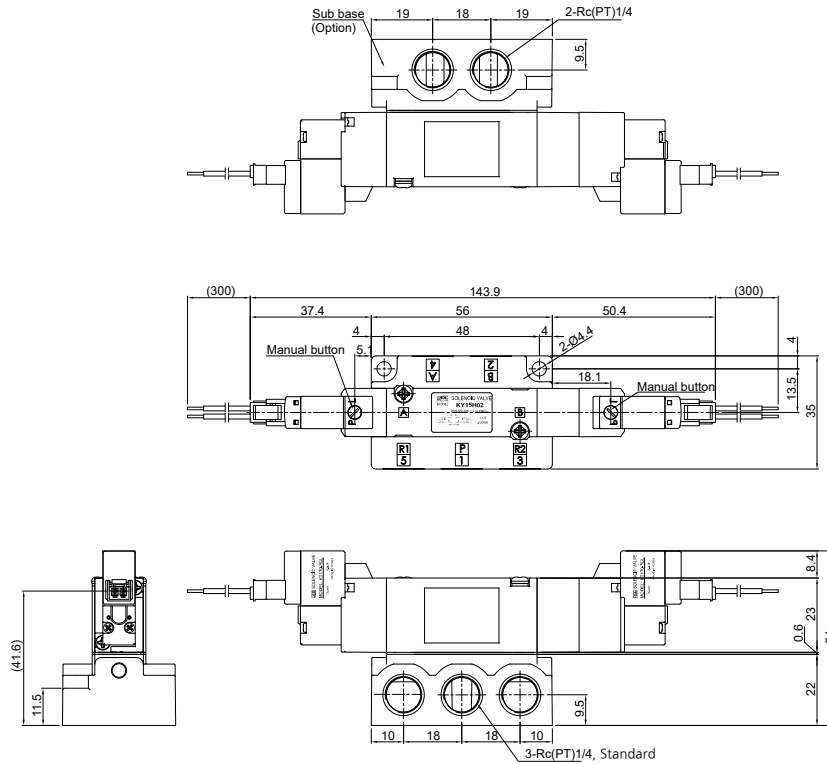


Double (KY15D02) - Plug connector



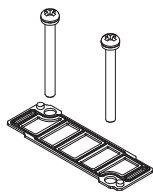
Dimensions / KY15(Base connection type)

3 Position (KY15H/I/J02) - Plug connector



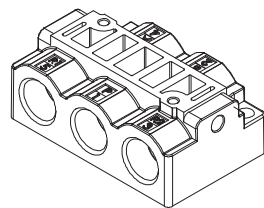
Option parts / KY15(Base connection type)

Body gasket



Model : KY1502-BG

KY15 Sub base



KY 15 - SB -

① ② ③

① Port type

Nil	Rc(PT) (Standard)
G	G(PF)

② series

15	KY15 series
----	-------------

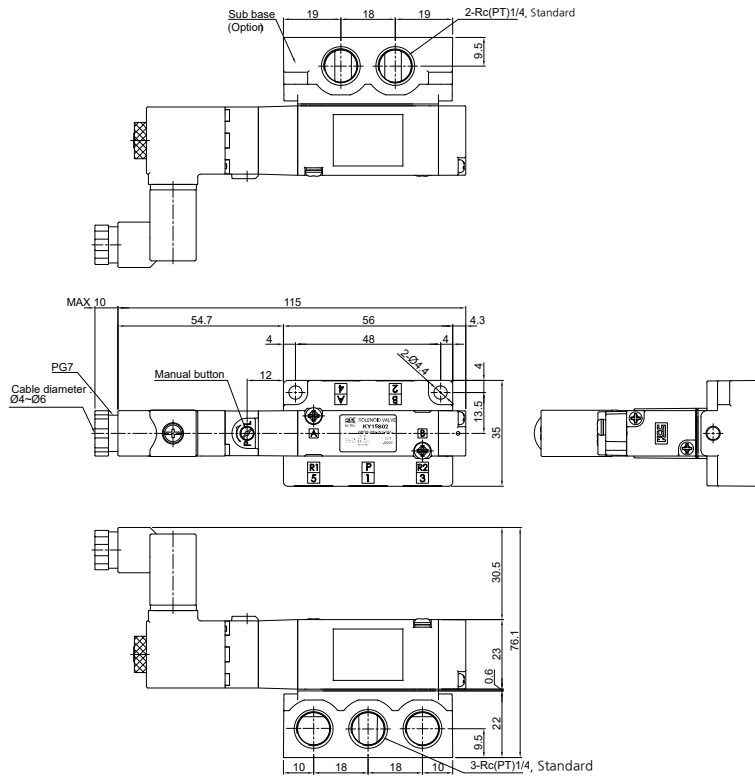
③ Port size

02	1/4
----	-----

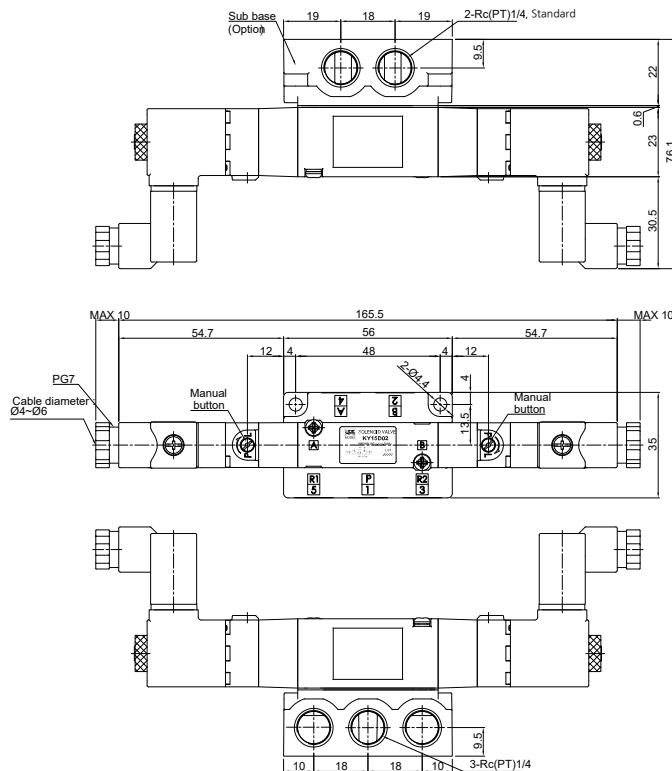
※ Mounting bolts and valve gaskets are not included.

Dimensions / KY15(Base connection type)

Single (KY15S02) - DIN connector

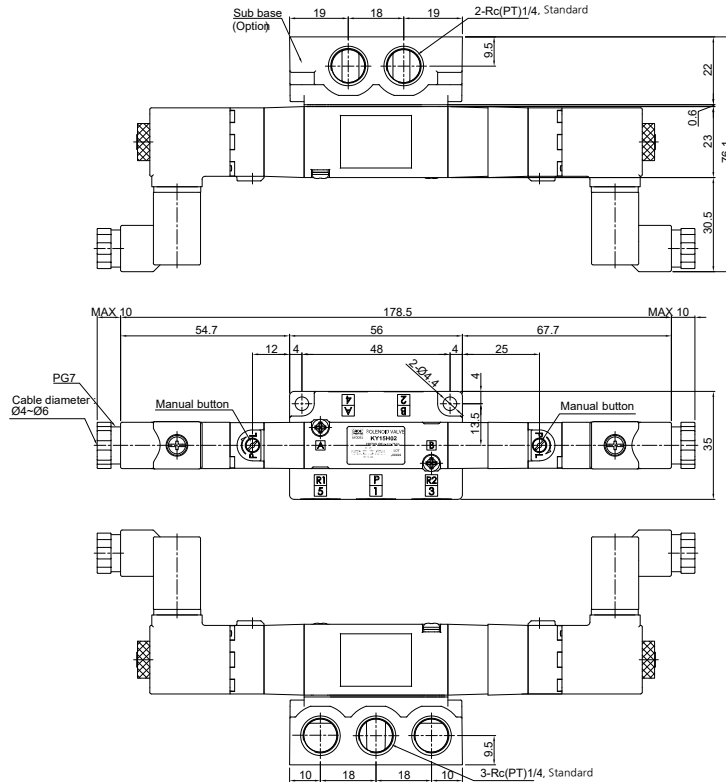


Double (KY15D02) - DIN connector



Dimensions / KY15(Base connection type)

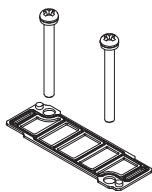
3 Position (KY15H/I/J02) - DIN connector



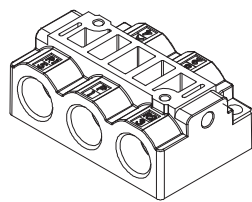
Option parts / KY15(Base connection type)

Body gasket

KY15 Sub base



Model : KY1502-BG



KY 15 - SB -

① ② ③

① Port type ② series ③ Port size

Nil	Rc(PT) (Standard)	15	KY15 series	02	1/4
G	G(PF)				

※ Mounting bolts and valve gaskets are not included.

How to order

KYMF 15 02 - 05

① ② ③ ④

① Port type

Nil	Rc(PT) (Standard)
G	G(PF)
C6	Ø6 One-touch fitting

② series

15	KY15 series
----	-------------

③ Pneumatic connection

02	Base connection type
----	----------------------

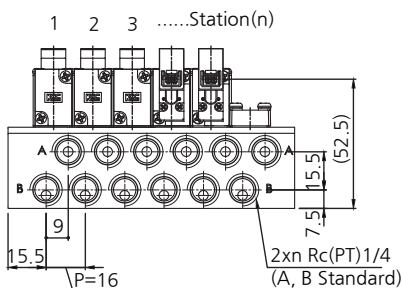
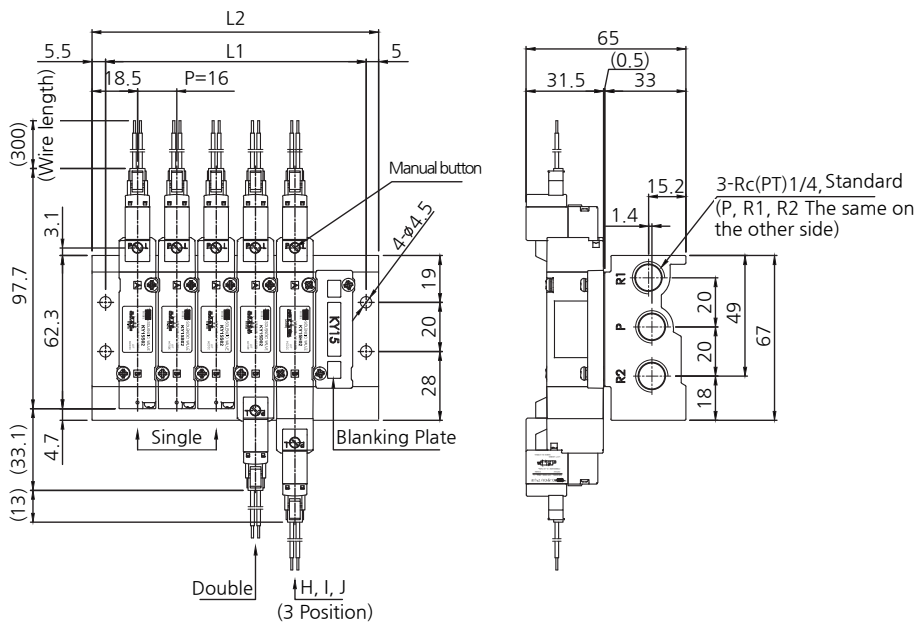
④ series

02	2 Station
03	3 Station
:	:
20	20 Station

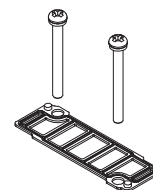
※When ordering the manifolds, the mounting bolts and port plugs are attached.
 ※When ordering a direct connection manifold, valve mounting screws and gaskets are attached in proportion to the station.
 ※When ordering a base connection type manifold, valve mounting screws and gaskets are not included.

Dimensions / KY15(Base connection type, Manifold)

Plug connector

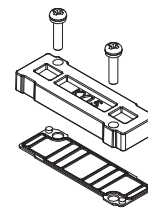


Body gasket



Model : KY1502-BG

Blanking plate



Model : KY15-BP

※The actual shape can vary.

series(n)	2	3	4	5	6	7	8	9	10	11	12	13	14	15	16	17	18	19	20
L1	42	58	74	90	106	122	138	154	170	186	202	218	234	250	266	282	298	314	330
L2	52.5	68.5	84.5	100.5	116.5	132.5	148.5	164.5	180.5	196.5	212.5	228.5	244.5	260.5	276.5	292.5	308.5	324.5	340.5

How to order



① Port type

Nil	Rc(PT) (Standard)
G	G(PF)
C6	Ø6 One-touch fitting

② series

15	KY15 series
----	-------------

③ Pneumatic connection

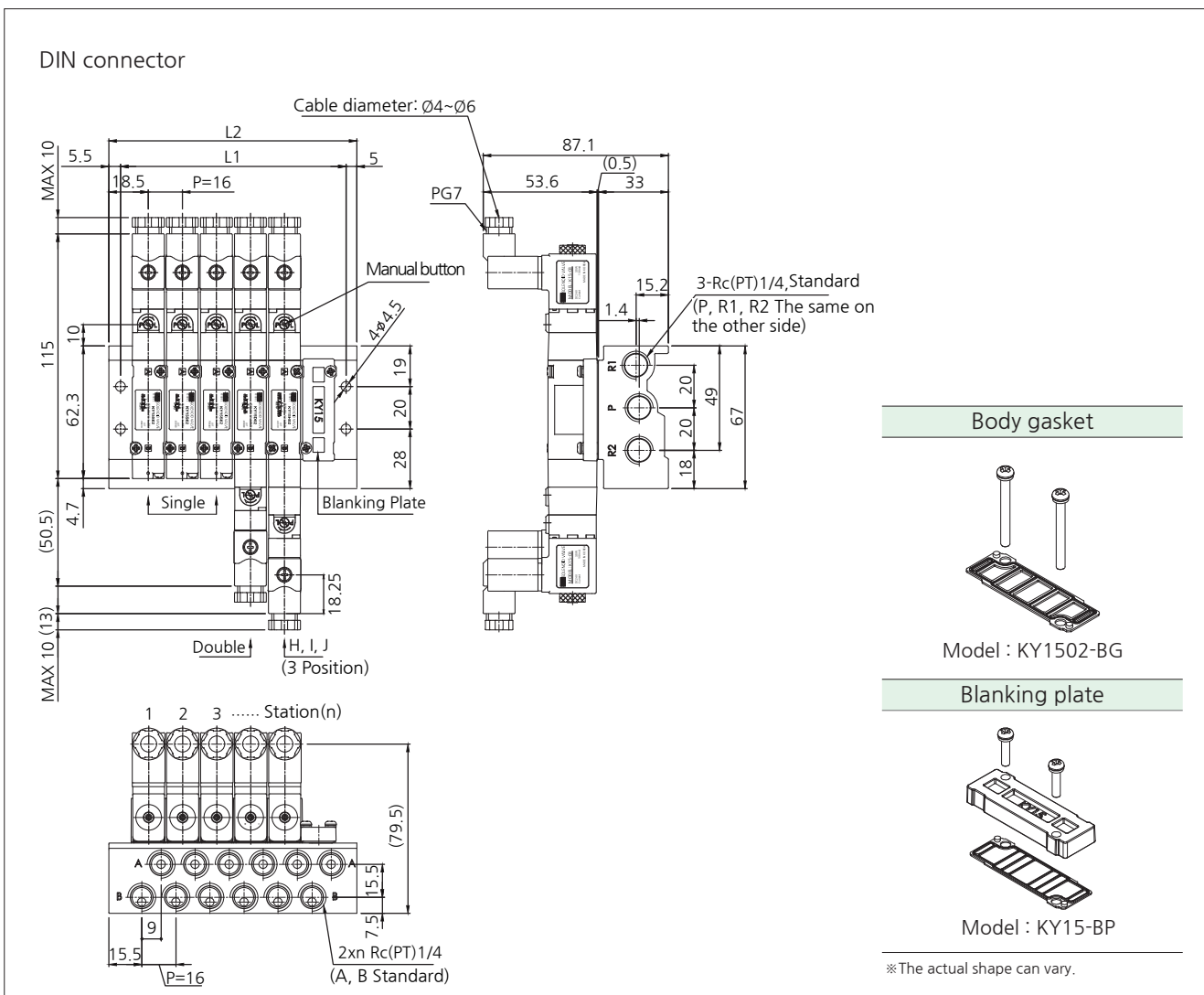
02	Base connection type
----	----------------------

④ series

02	2 Station
03	3 Station
:	:
20	20 Station

※When ordering the manifolds, the mounting bolts and port plugs are attached.
 ※When ordering a direct connection manifold, valve mounting screws and gaskets are attached in proportion to the station.
 ※When ordering a base connection type manifold, valve mounting screws and gaskets are not included.

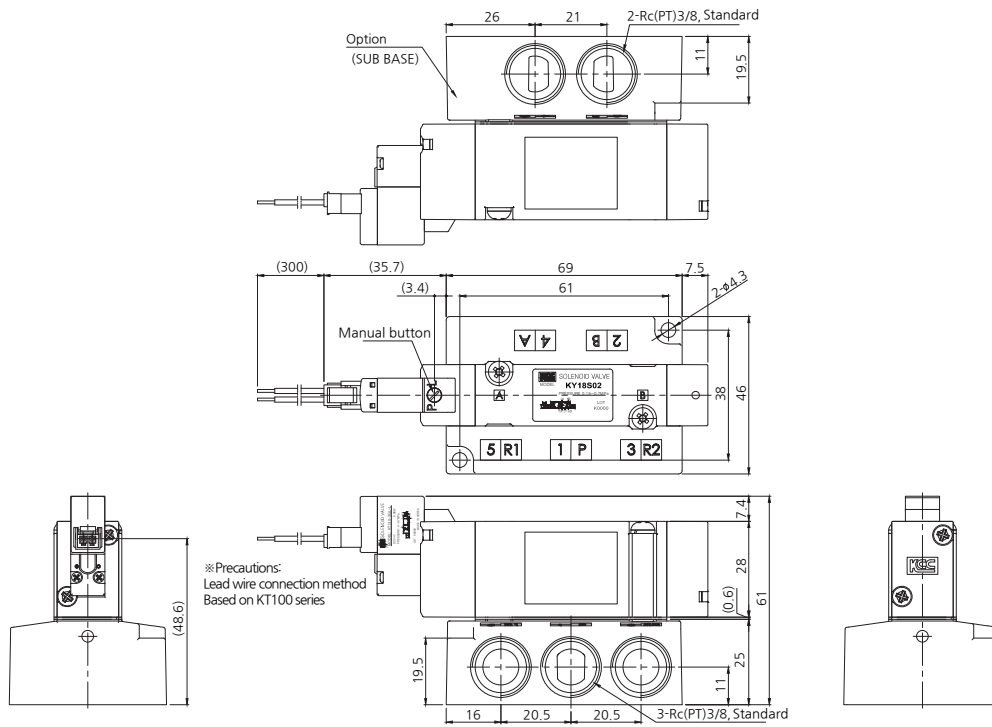
Dimensions / KY15(Base connection type, Manifold)



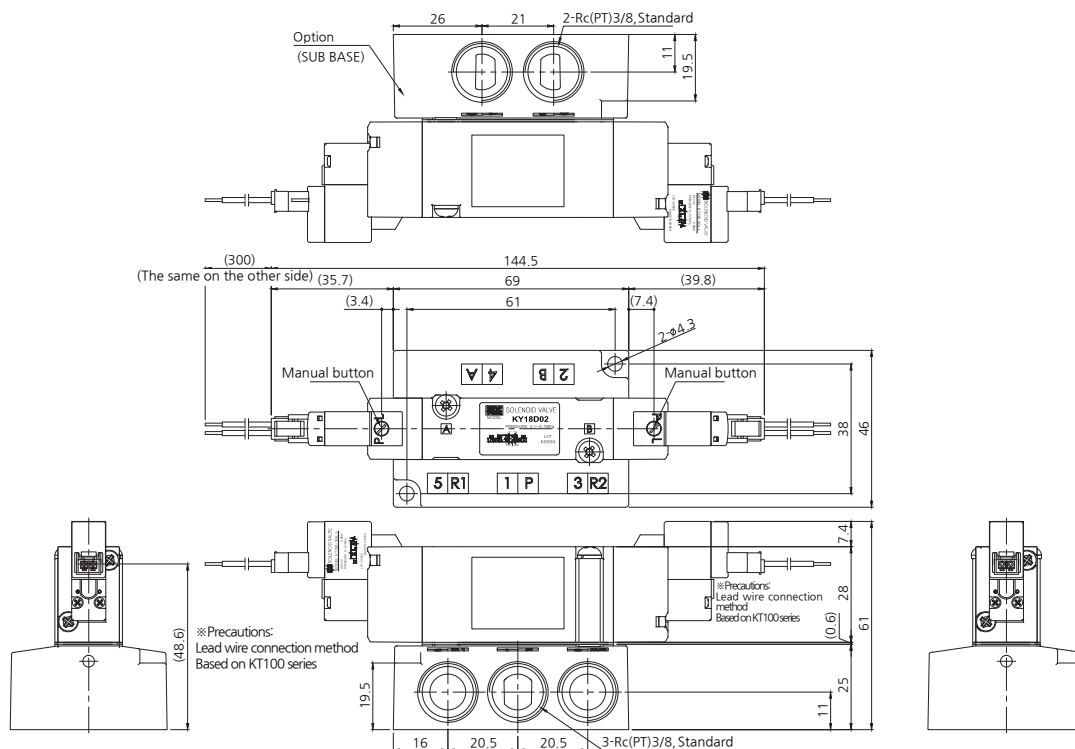
series(n)	2	3	4	5	6	7	8	9	10	11	12	13	14	15	16	17	18	19	20
L1	42	58	74	90	106	122	138	154	170	186	202	218	234	250	266	282	298	314	330
L2	52.5	68.5	84.5	100.5	116.5	132.5	148.5	164.5	180.5	196.5	212.5	228.5	244.5	260.5	276.5	292.5	308.5	324.5	340.5

Dimensions / KY18(Base connection type)

Single (KY18S02) - Plug connector

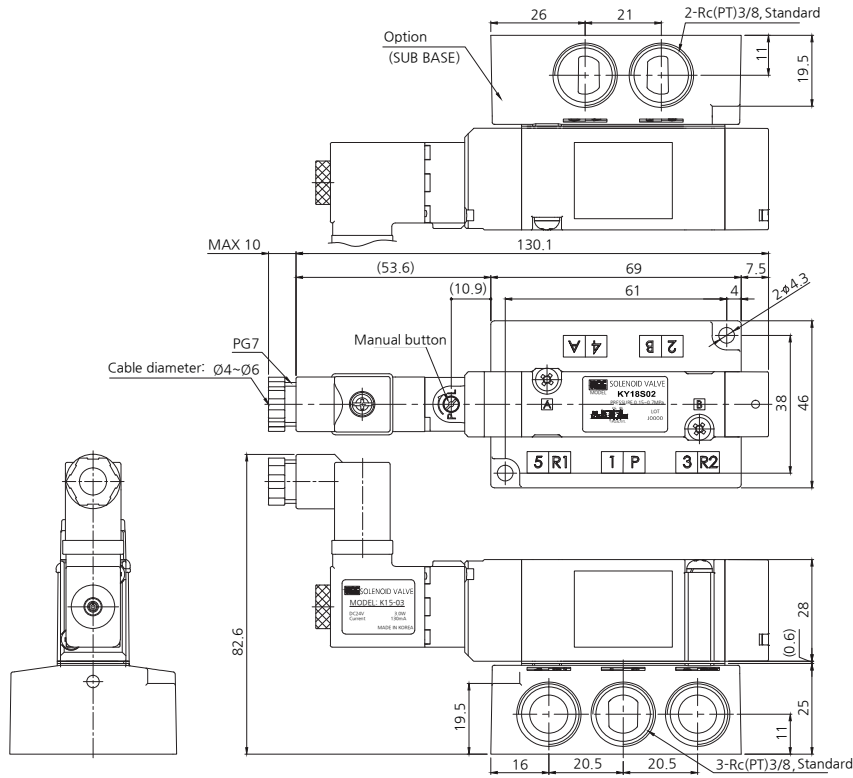


Double (KY18D02) - Plug connector

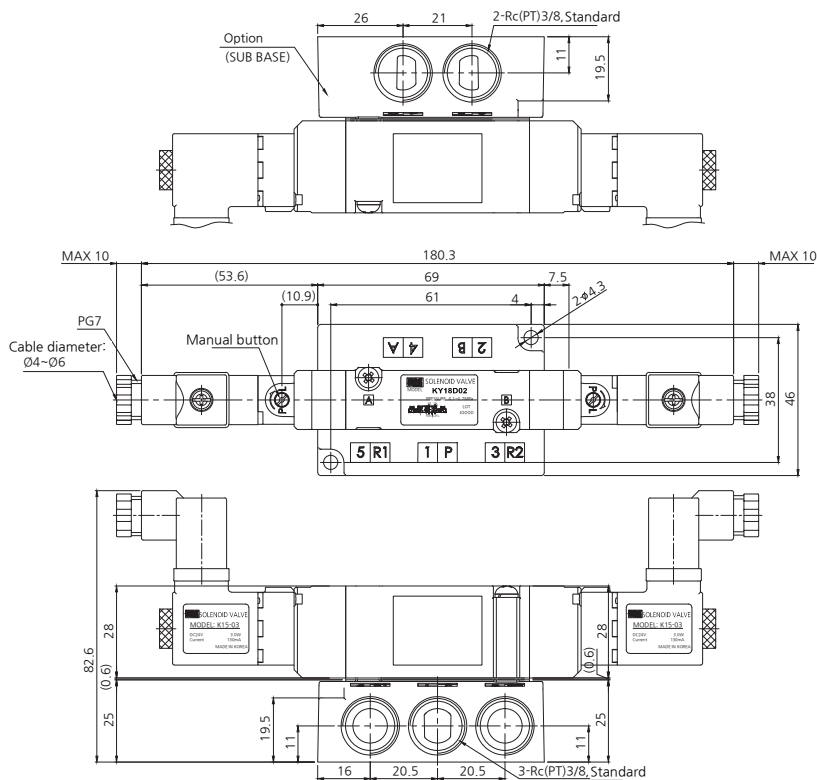


Dimensions / KY18(Base connection type)

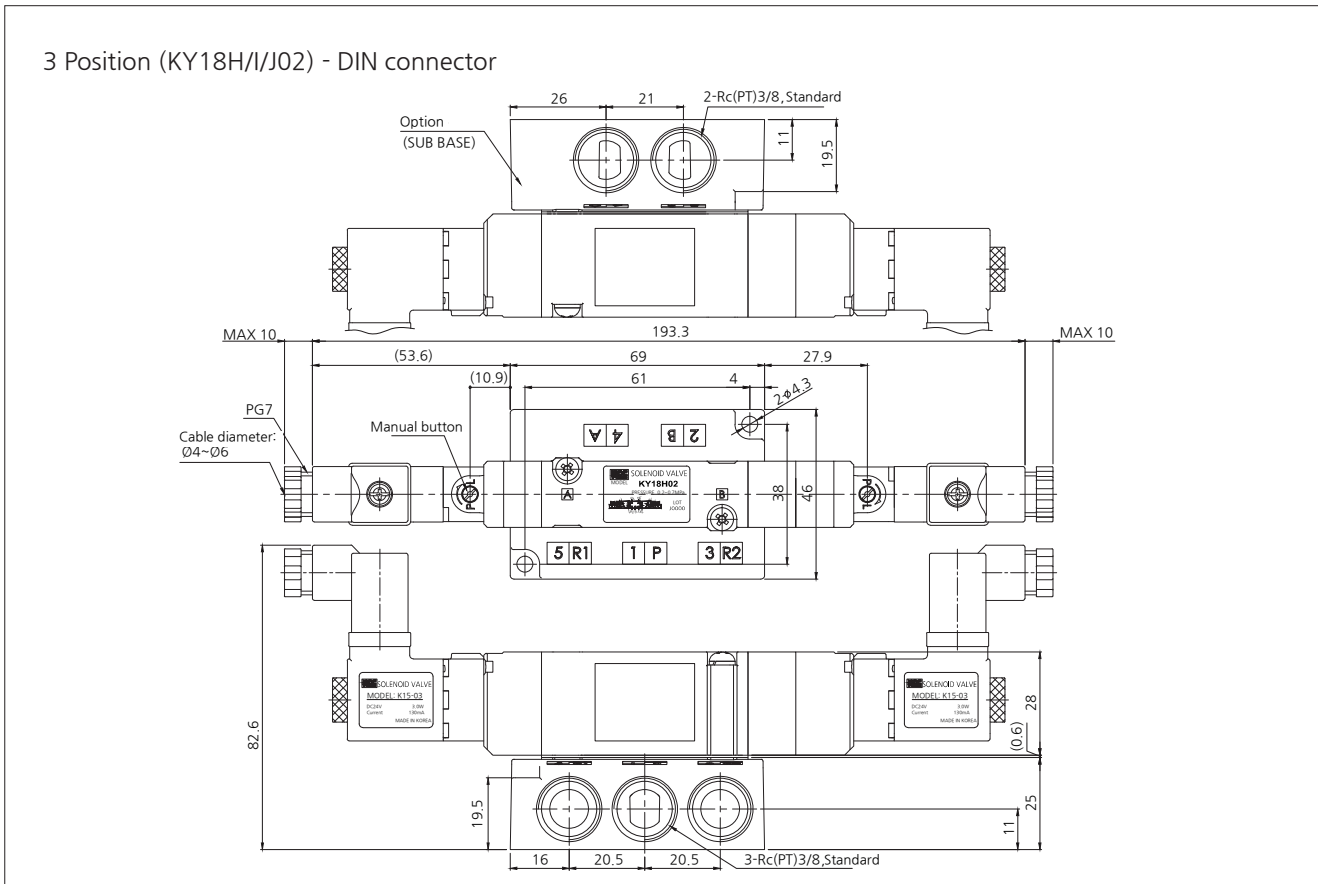
Single (KY18S02) - DIN connector



Double (KY18D02) - DIN connector



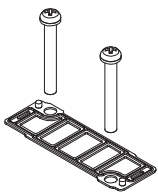
Dimensions / KY18(Base connection type)



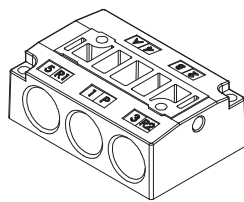
Option parts / KY18(Base connection type)

Body gasket

KY18 Sub base



Model : KY1802-BG



KY 18 - SB -

① ② ③

① Port type

Nil	Rc(PT) (Standard)
G	G(PF)

② series

18	KY18 series
----	-------------

③ Port size

02	1/4
03	3/8

※ Mounting bolts and valve gaskets are not included.

How to order

KYMF 18 02 - 05
 ① ② ③ ④

① Port type

Nil	Rc(PT) (Standard)
G	G(PF)
C6	Ø8 One-touch fitting

② series

18	KY18 series
----	-------------

③ Pneumatic connection

02	Base connection type
----	----------------------

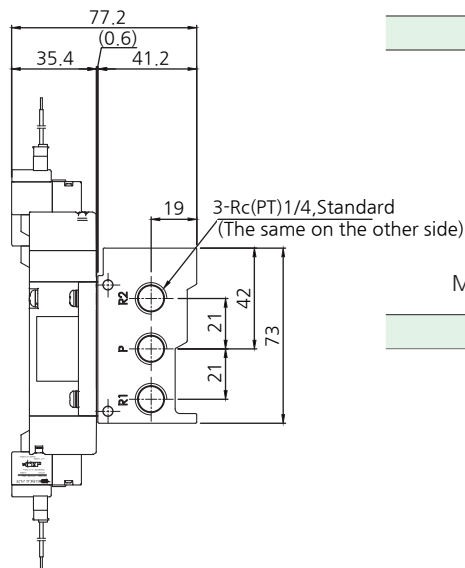
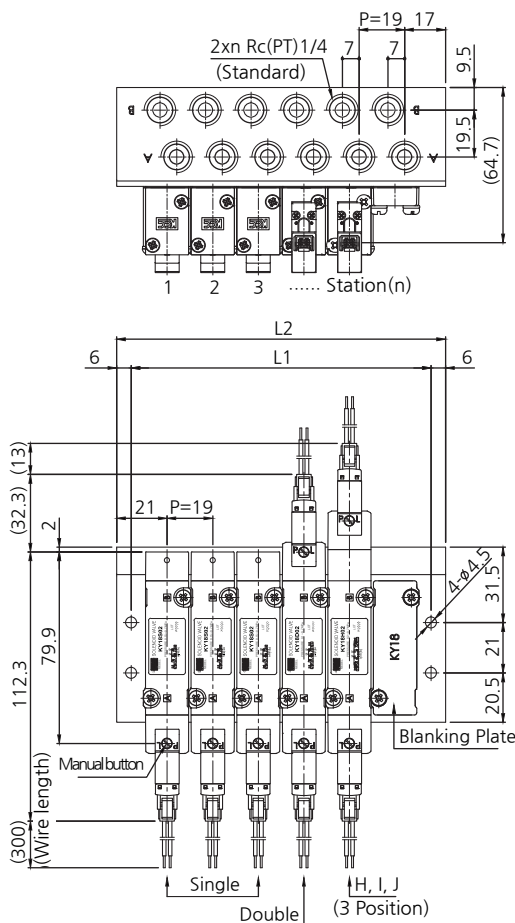
④ series

02	2 Station
03	3 Station
:	:
20	20 Station

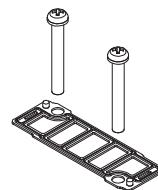
※When ordering the manifolds, the mounting bolts and port plugs are attached.
 ※When ordering a direct connection manifold, valve mounting screws and gaskets are attached in proportion to the station.
 ※When ordering a base connection type manifold, valve mounting screws and gaskets are not included.

Dimensions / KY18(Base connection type, Manifold)

Plug connector

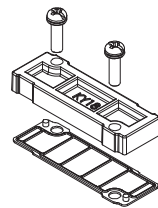


Body gasket



Model : KY1802-BG

Blanking plate



Model : KY18-BP

※The actual shape can vary.

series(n)	2	3	4	5	6	7	8	9	10	11	12	13	14	15	16	17	18	19	20
L1	49	68	87	106	125	144	163	182	201	220	239	258	277	296	315	334	353	372	391
L2	61	80	99	118	137	156	175	194	213	232	251	270	289	308	327	346	365	384	403

How to order

KYMF 18 02 - 05
 ① ② ③ ④

① Port type

Nil	Rc(PT) (Standard)
G	G(PF)
C6	Ø8 One-touch fitting

② series

18	KY18 series
----	-------------

③ Pneumatic connection

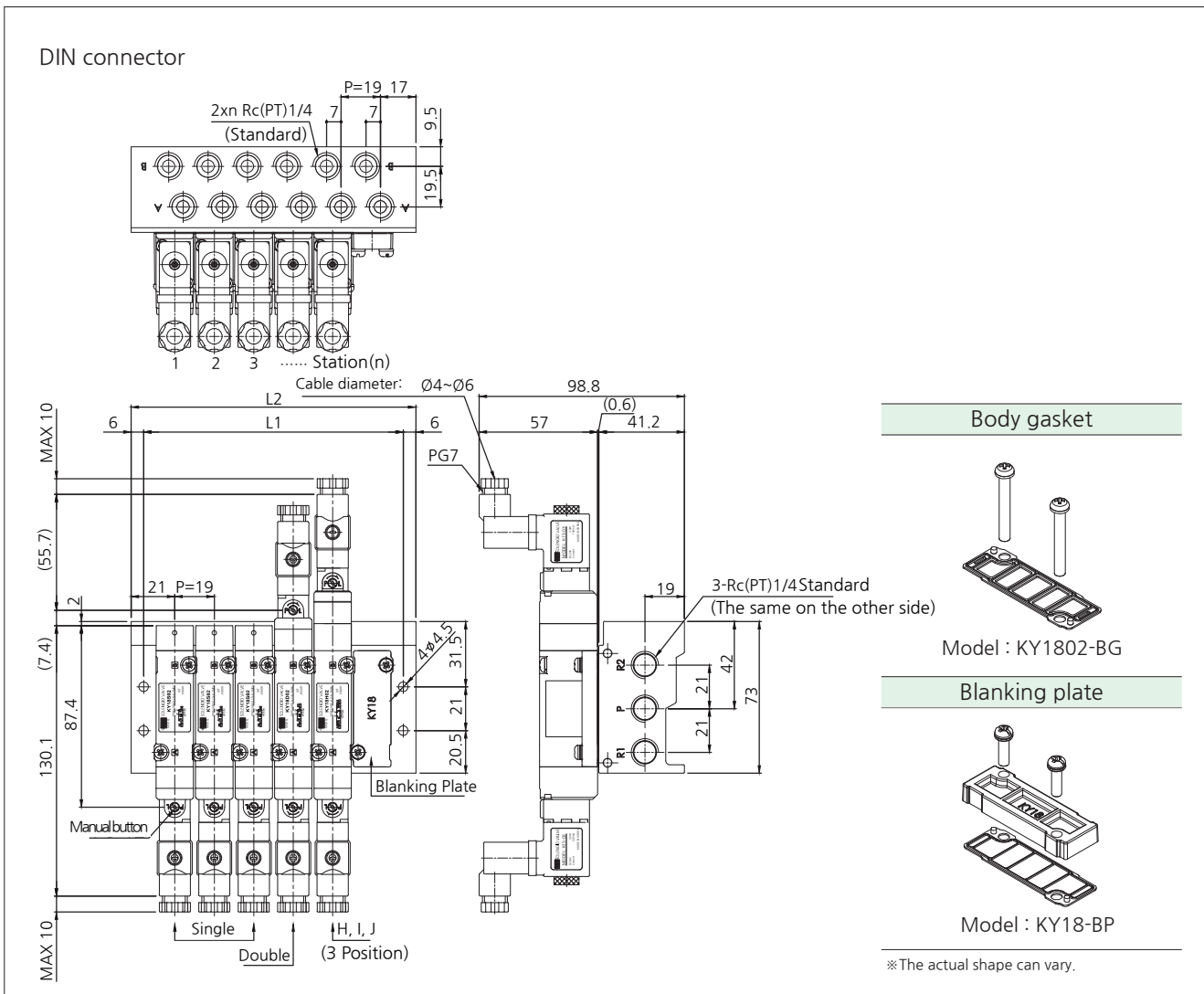
02	Base connection type
----	----------------------

④ series

02	2 Station
03	3 Station
:	:
20	20 Station

※When ordering the manifolds, the mounting bolts and port plugs are attached.
 ※When ordering a direct connection manifold, valve mounting screws and gaskets are attached in proportion to the station.
 ※When ordering a base connection type manifold, valve mounting screws and gaskets are not included.

Dimensions / KY18(Base connection type, Manifold)



series(n)	2	3	4	5	6	7	8	9	10	11	12	13	14	15	16	17	18	19	20
L1	49	68	87	106	125	144	163	182	201	220	239	258	277	296	315	334	353	372	391
L2	61	80	99	118	137	156	175	194	213	232	251	270	289	308	327	346	365	384	403