

# KT30A series



KT30A-3G

## How to Order



① Type

T	Direct attach type
---	--------------------

② Port type

Nil	Rc(PT) (Standard)
G	G

③ Function

Nil	Air			V	Vacuum + Air 1Port - Vacuum 3Port - Air	
V	N.C		V	V	Air + Vacuum 1Port - Air 3Port - Vacuum	
	N.O					

※ \* is a semi-standard specification.

④ Voltage

1	AC 100/50Hz, AC 110V/60Hz
2	AC 200/50Hz, AC 220V/60Hz
3	DC 24V(5.4W)
4	DC 12V(5.4W)
5	*DC 24V(1.8W)
6	*DC 24V(12.7W)

⑤ Electrical connection

G	Standard: Lead wire (500mm)
---	-----------------------------

## Specifications

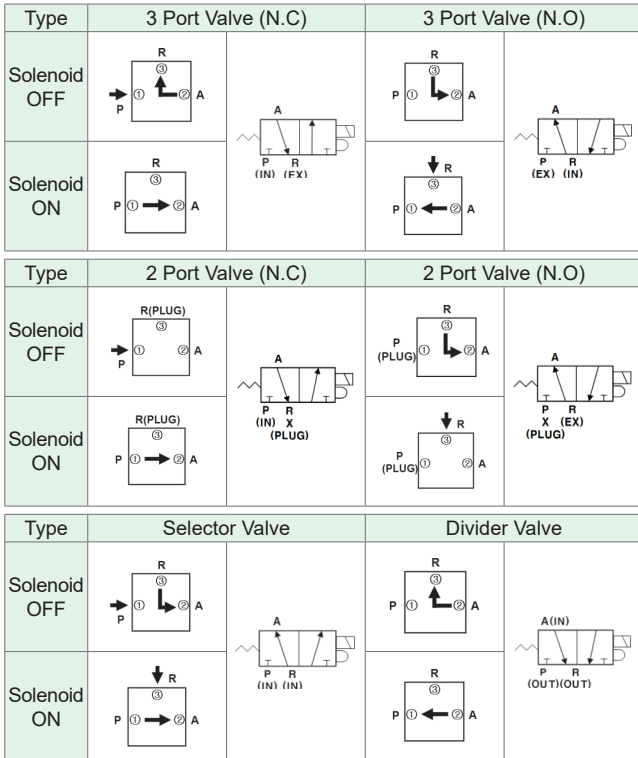
Fluid	Air, Vacuum, Inert gas	Manual override	Manual button
Port size	Rc(PT) 1/8, G1/8	Power consumption	DC
Effective sectional area 5mm <sup>2</sup> (Cv)	AC/DC 5.4W, 12.7W: 2.0mm <sup>3</sup> (0.11Cv) DC 1.8W: 0.94mm <sup>3</sup> (0.05Cv)		AC
Operating pressure	Air	Allowable voltage	±10% rated voltage
	Vacuum	Ambient temperature	-10°C ~ +50°C (No freezing)
Max. operating frequency	30 cycle/sec	fluid temperature	5°C~80°C
Response time {at 5kgf/cm <sup>2</sup> (0.5MPa)}	ON 15ms	Coil insulation	Class F
	OFF 9ms	Weight	85g
Lubrication	Not required (But, when lubricated Turbine oil ISO VG32 or equivalent)		

※ If you operate after leaving for a long time, the stated value may be exceeded.

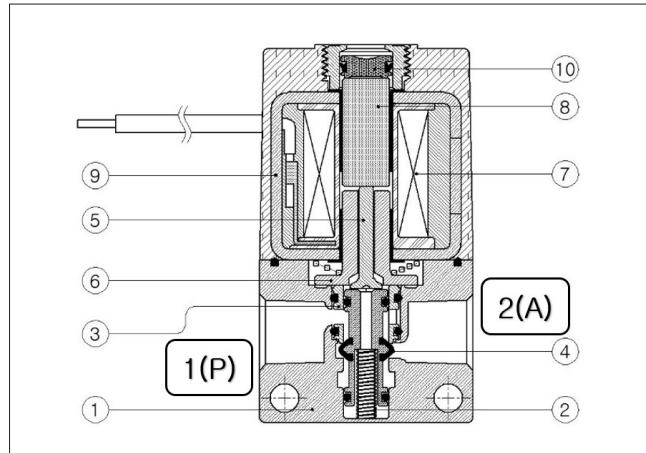
## Features

- A single valve with 6 valve functions. (Universal porting type)
- High-frequency continuous operation is possible. (Up to 30 C / S)
- With the structure of a valve preventing fixation and resistant to dust, it operates perfectly.
- Durability is excellent due to the coil burn-out structure.

Applications



Structure



Part no.	Parts	Material
1	Body	AL D/C
2	Spool spring	SUS
3	Seat	Metal
4	Spool ass'y	AL & Others
5	Stopper pin	Stainless still
6	Stopper	Stainless still
7	Coil ass'y	CU & Others
8	Plunger	Stainless still
9	Yoke	SPC
10	Button	Synthetic rubber

Dimensions

