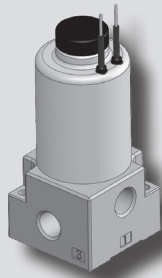
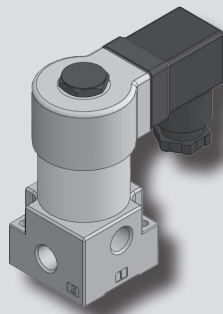


KT317 series



KT317-022-G (Standard)



KT317-022-D

How to Order



① Port type

Nil	Rc(PT) (Standard)
G	G

③ Port size

02	1/4
03	3/8

④ Voltage

1	AC 100/110V 50/60Hz
2	AC 200/220V 50/60Hz
3	DC 24V
4	DC 12V

※ Custom made with AC24V, AC48V, DC48V, DC100V is available.

② Function

Function	Symbol	Function	Symbol
Nil		W	
V	N.C 	X	
	N.O 		

⑤ Electrical connection

G	(Standard) Lead wire - ≥ 300mm
D	DIN Connector

※ Different wire length is available upon request.

Specifications

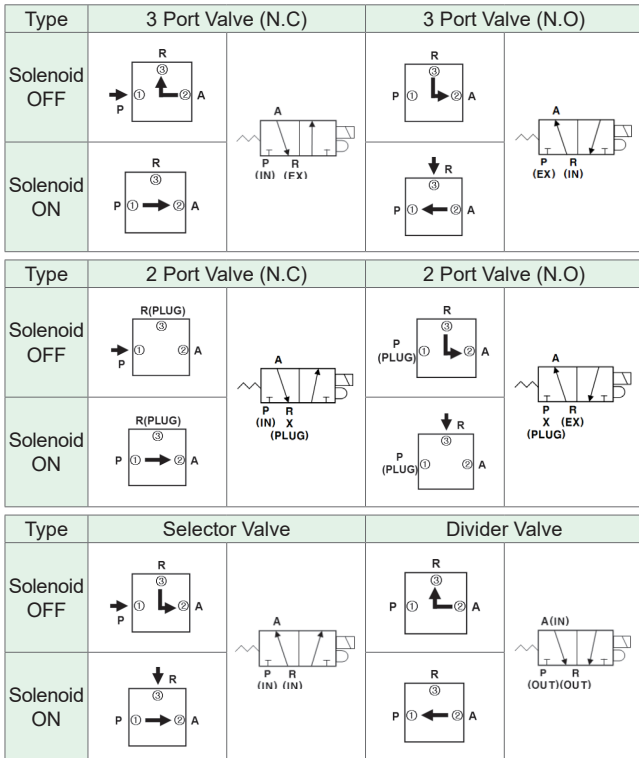
Type	G-Type	D-Type
Fluid	Air, Vacuum, Inert gas	
Port size	Rc(PT) 1/4, 3/8, G 1/4, 3/8	
Effective sectional area Smm ² (Cv)	11mm ² (0.6)	
Operating pressure	Air	0~9kgf/cm ² (0~0.9MPa)
	Vacuum	10~760Torr (1kPa~100kPa abs.)
Max. operating frequency	10 cycle/sec	
Response time (at 5kgf/cm ²)	ON	7ms
	OFF	6.5ms
Lubrication	Not required (But, when lubricated Turbine oil ISO VG32 or equivalent)	
Manual Override	Manual button	
Power consumption	DC	11W
	AC	35/29VA (50/60Hz)
Allowable voltage	±10% rated voltage	
Ambient temperature	-10℃~50℃	
Fluid temperature	5℃~80℃	
Coil insulation	Class F	
Weight	420g	500g

Features

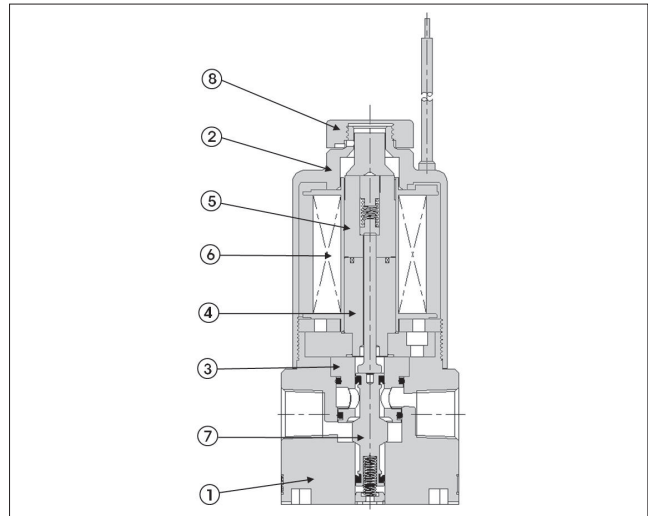
- A single valve with 6 valve functions. (Universal porting type)
- Continuous high frequency operation available. (Max. 10C/S)
- With the structure of a valve preventing fixation and resistant to dust, it operates perfectly.
- Burn proof structure, long service life.

Solenoid Valve(3 Port Poppet/Universal Port)

Applications

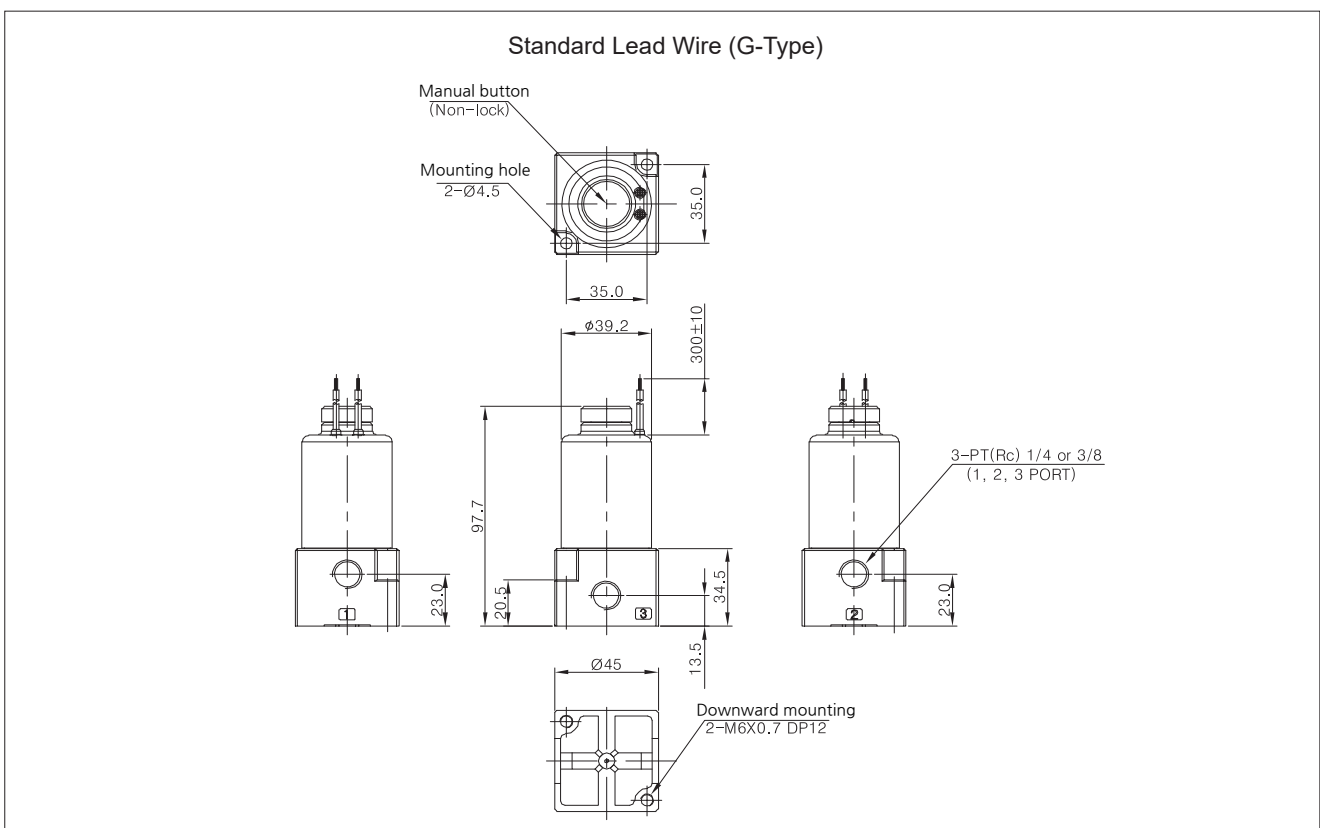


Structure



Part no.	Parts	Material
1	Body	AL D/C
2	Housing	Steel
3	Seat	Metal
4	Stopper	Stainless Steel
5	Plunger	Stainless Steel
6	Coil Ass'y	CU & Others
7	Spool	AL & Others
8	Button	Plastic Resin

Dimensions



Dimensions

