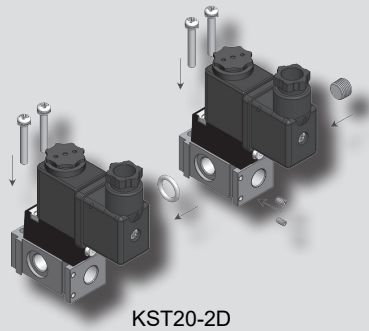
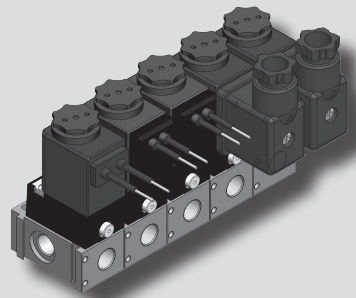


KST series



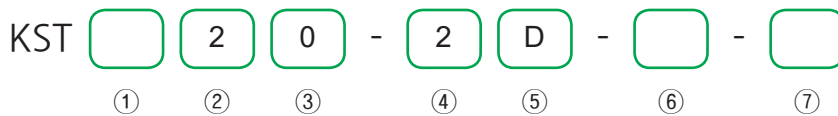
KST20-2D



KST20-2O-05



How to Order



① Port type

| | |
|-----|-------------------|
| Nil | Rc(PT) (Standard) |
| G | G |

② Symbol

| Function | Symbol |
|---------------------|--------|
| 2 2 Way N.C | |
| 3 3 Way N.C | |

③ Orifice

| | |
|---|-----------------|
| 0 | ø0.9 (Standard) |
|---|-----------------|

④ Voltage

| | |
|---|---------------------|
| 1 | AC 100/110V 50/60Hz |
| 2 | AC 200/220V 50/60Hz |
| 3 | DC 24V |
| 4 | DC 12V |

※ Custom made with AC24V, AC48V, DC48V, DC100V is available.

⑥ Seal Material

| | |
|-----|----------------|
| Nil | NBR (Standard) |
| V | Viton |

⑦ Number of valves on manifold block

| | |
|----|--------|
| 02 | 2 pcs |
| 03 | 3 pcs |
| ~ | ~ |
| 10 | 10 pcs |

※ For manifold block is attached type.

⑤ Electrical connection

| | |
|-------|--|
| GL | Lead wire & lamp |
| G | Lead wire |
| D | DIN coil + DIN connector |
| DUL | DIN coil + DIN connector (UL, CSA Approval) |
| Z | DIN coil + DIN connector with lamp + Surge killer |
| ZUL | DIN coil + DIN connector with lamp + Surge killer (UL, CSA Approval) |
| GU | Lamp with 90°plug(400mm) |
| GP | Lamp with 180°plug(400mm) |
| DEXT4 | Explosion proof |
| M | DIN coil + Metal DIN connector |

Specifications

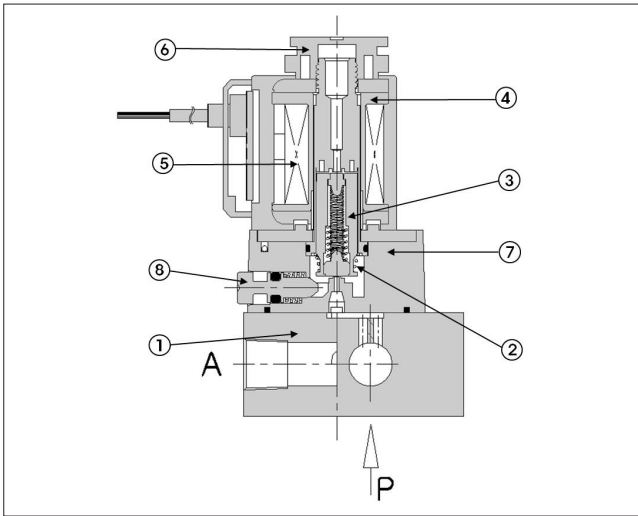
| Type | KST20 (2 Way) | KST30 (3 Way) |
|--|---------------------------------------|---------------------|
| Fluid | Air, Inert gas | |
| Port size | Rc(PT) 1/8, G 1/8 | |
| Orifice | ø0.9mm (Standard) | |
| Effective sectional area Smm ² (Cv) | 0.65mm ² (0.04) | |
| Operating pressure | 0~8kgf/cm ² (0~0.8MPa) | |
| Max. operating frequency | 10 cycle/sec | |
| Response time {at 5kgf/cm ² (0.5MPa)} | ≤ 20ms | |
| Operation method | 3/2Way Type, 2/2 Way Type | |
| Seal material | NBR, VITON | |
| Body material | AL | |
| Manual override | Push button(Standard), Lever (Option) | |
| Power consumption | DC | 2.8W, 6W |
| | AC | 4.5/3.6VA (50/60Hz) |
| Allowable voltage | ±10% rated voltage | |
| Ambient & fluid temperature | 5°C ~ 60°C | |
| Coil insulation | Class F | |
| Weight | 130g | |

| GL | G | D / DUL | Z / ZUL | M |
|-------------------|--------------------|---|--|--------------------------------|
| | | | | |
| Lead wire & lamp | Lead wire | DIN coil + DIN connector (UL, CSA Approval) | DIN coil + DIN connector with lamp + Surge killer (UL, CSA Approval) | DIN coil + Metal DIN connector |
| GU | GP | DEXT4 | | LOCK |
| | | | | |
| Lamp with 90°plug | Lamp with 180°plug | Explosion proof | | Manual operation |

Features

- Direct acting type
- Normally close type
- Burn proof structure, long service life
- High speed response
- Suitable to use with constant delivery machine.
- Custom made of 2Port, 3Port N.O., at 5kgf/cm² is available.
- Easy multi-station adaptation
- Beautiful appearance
- Free mount type
- Manual override is available

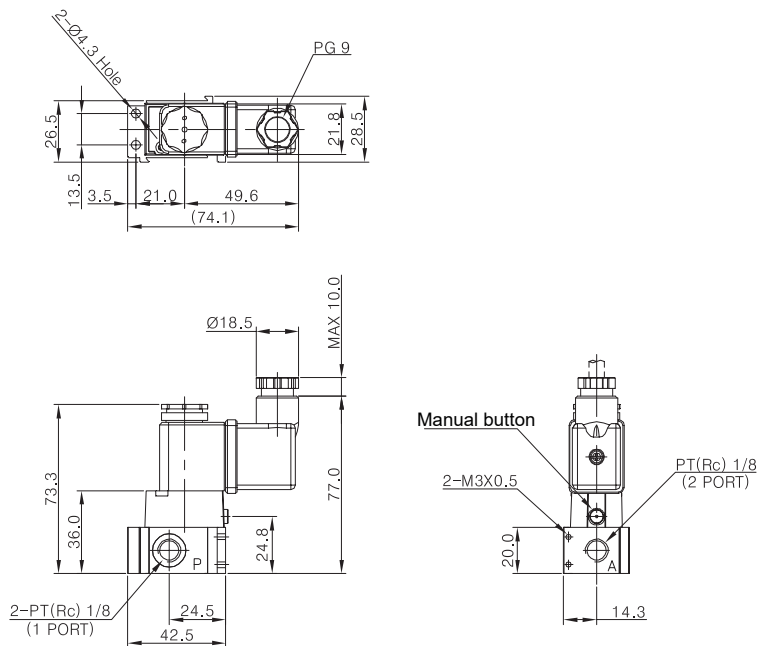
Structure



| Part no. | Parts | Material |
|----------|----------------|----------------------|
| 1 | Body | AL |
| 2 | Plunger Spring | SUS |
| 3 | Plunger | Stainless |
| 4 | Yoke | SPC |
| 5 | Coil Ass'y | CU & Others |
| 6 | Lock Nut | Plastic Resin, Metal |
| 7 | Seat | Plastic Resin |
| 8 | Button | Metal |

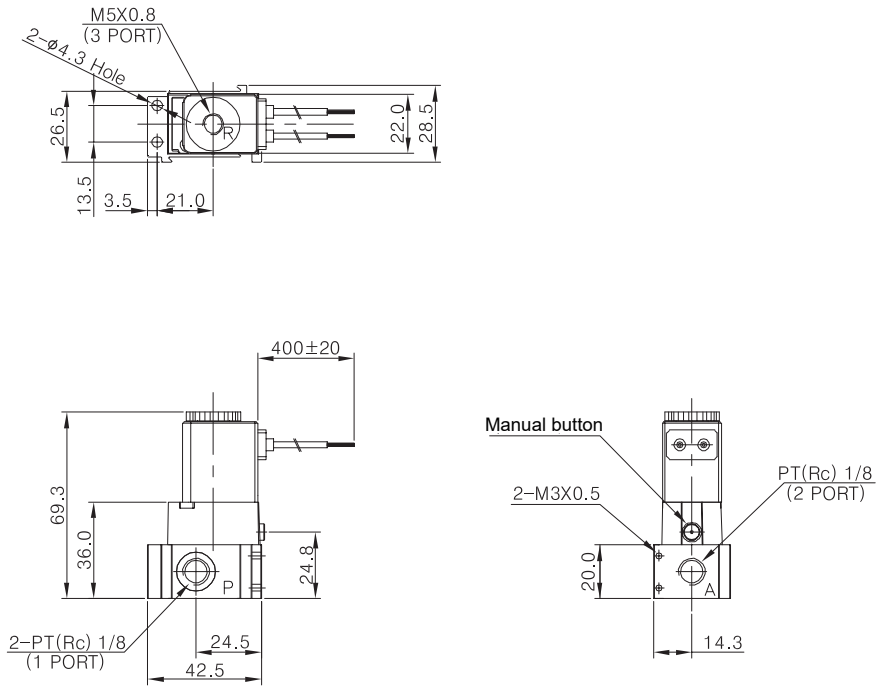
Dimensions

KST 20 - O D(Z)

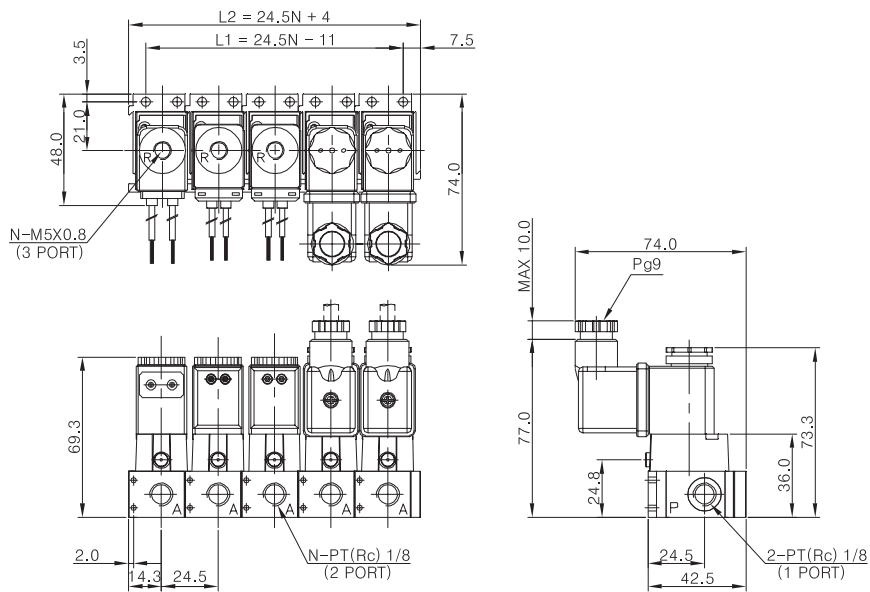


Dimensions

KST 30 - O GL



Dimensions-Manifold Block Attached Type



| Station | 2 | 3 | 4 | 5 | 6 | 7 | 8 | 9 | 10 |
|---------|----|------|-----|-------|-----|-------|-----|-------|-----|
| L1 | 38 | 62.5 | 87 | 111.5 | 136 | 160.5 | 185 | 209.5 | 234 |
| L2 | 53 | 77.5 | 102 | 126.5 | 151 | 175.5 | 200 | 224.5 | 249 |