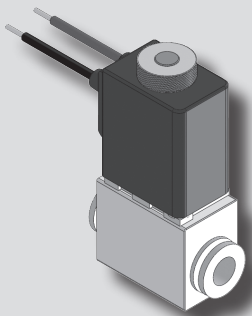
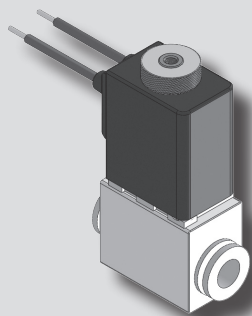


KCAS series



KCAS2-C6-3G



KCAS3-C6-2G

How to Order



① Number of Port

2	2 Port	
3	3 Port	

② Port type

C4	Ø4 One touch fitting
C6	Ø6 One touch fitting(Standard)
M5	M5 Screw
01	Rc(PT)1/8

③ Voltage

1	AC 100/110V 50/60Hz
2	AC 200/220V 50/60Hz
3	DC 24V
4	DC 12V

* Custom made with AC24V, AC48V, DC48V, DC100V is available.

④ Electrical connection

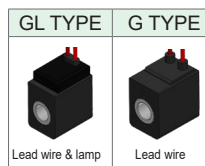
GL	Lead wire & lamp
G	Lead wire

⑤ TAP for mounting

Nil	None (Standard)
T	TAP for mounting

Specifications

Type	2 Port	3 Port
Fluid	Compressed air, Inert gas	
Port size	M5, Rc(PT) 1/8, Ø4, Ø6 (Standard) One touch fitting	
Orifice	Ø0.6mm (Standard)	
Effective sectional area Smm ² (Cv)	0.26 (0.014)	
Operating pressure	0~7kgf/cm ² (0~0.7MPa)	
Max. operating frequency	10 cycle/sec	
Response time (at 5kgf/cm ²)	≤20ms	
Function	2/2 Way type	3/2 Way type
Seal material	NBR	
Body material	Aluminium (Standard), Brass	
Power consumption	DC	2.8W
	AC	3.8/3.3VA (50/60Hz)
Allowable voltage	±10% rated voltage	
Ambient & fluid temperature	5℃~60℃	
Coil insulation	Class F	
Weight	58g	

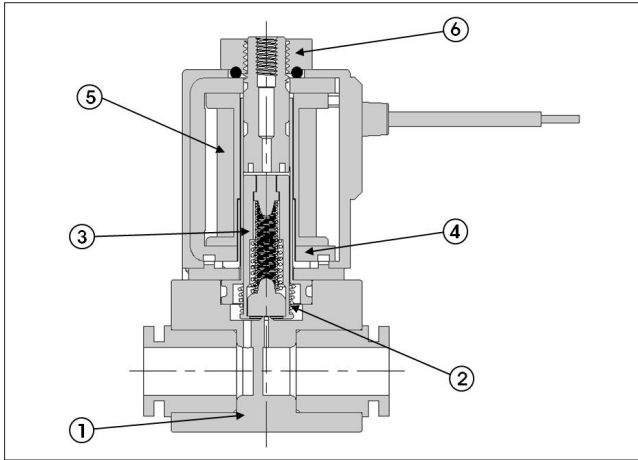


Features

- Direct acting type
- Normally close type
- Burn proof structure, long service life
- High speed response
- Suitable to use with constant delivery machine.

Solenoid Valve(2, 3 Port Direct Acting/One Touch Fitting)

Structure



Part no.	Parts	Material
1	Body	AL
2	Plunger Spring	SUS
3	Plunger	Stainless Steel
4	Yoke	SPC
5	Coil Ass'y	CU & Others
6	Lock Nut	Metal

Dimensions

