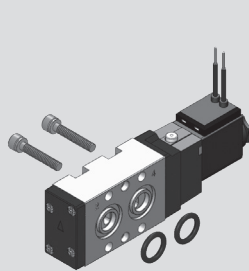
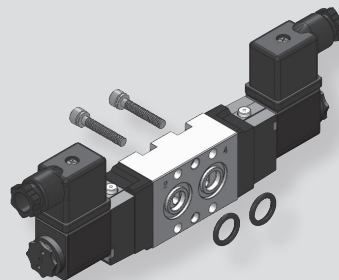


KS524 series (NAMUR Small type)



KS524S-2GL



KS524D-2D

How to Order

KS 524 S - 2 GL -

① ② ③ ④ ⑤

① Port type

Nil	Rc(PT) (Standard)
G	G

② Function

Function	Symbol
S Single acting	
D Double acting	

③ Voltage

1	AC 100/110V 50/60Hz
2	AC 200/220V 50/60Hz
3	DC 24V
4	DC 12V

* Custom made with AC24V, AC48V, DC48V, DC100V is available.

④ Electrical connection

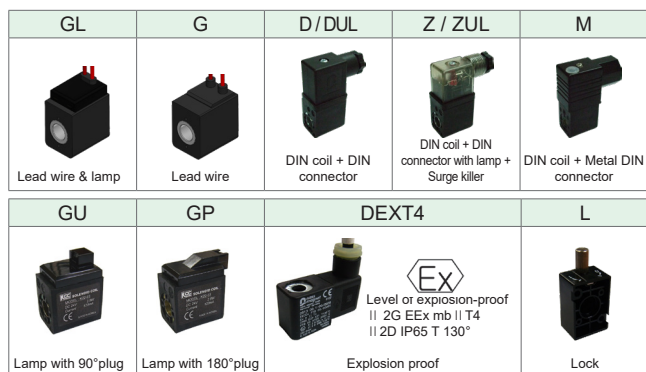
GL	Lead wire & lamp
G	Lead wire
D	DIN coil + DIN connector
DUL	DIN coil + DIN connector (UL, CSA Approval)
Z	DIN coil + DIN connector with lamp + Surge killer
ZUL	DIN coil + DIN connector with lamp + Surge killer (UL, CSA Approval)
GU	Lamp with 90°plug(400mm)
GP	Lamp with 180°plug(400mm)
DEXT4	Explosion proof
M	DIN coil + Metal DIN connector

⑤ Manual override

Nil	Manual button (Standard)
L	Lock

Specifications

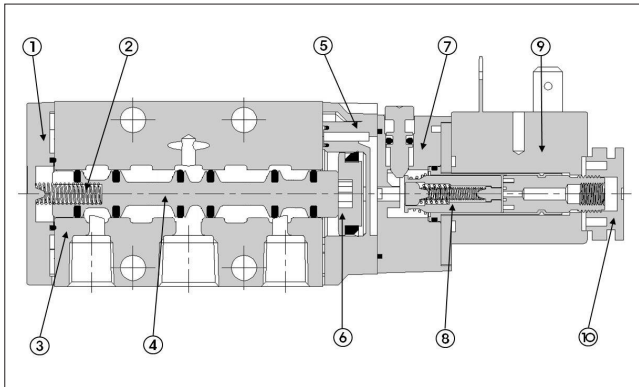
Type	S	D
Fluid	Air, Inert gas	
Port size	Rc(PT) 1/4, G 1/4	
Effective sectional area Smm ² (Cv)	19mm ² (1.0)	
Operating pressure	1.5~9kgf/cm ² (0.15~0.9MPa)	
Max. operating frequency	5 cycle/sec	
Response time {at 5kgf/cm ² (0.5MPa)}	≤ 30ms	
Lubrication	Not required (But, when lubricated Turbine oil ISO VG32 or equivalent)	
Manual override	Manual button (Standard), Lock	
Power consumption	DC	2.8W
	AC	4.5/3.6VA (50/60Hz)
Allowable voltage	±10% rated voltage	
Ambient & fluid temperature	5℃~60℃	
Coil insulation	Class F	
Applicable cylinder	Ø32~Ø100	
Weight	224g	316g



Features

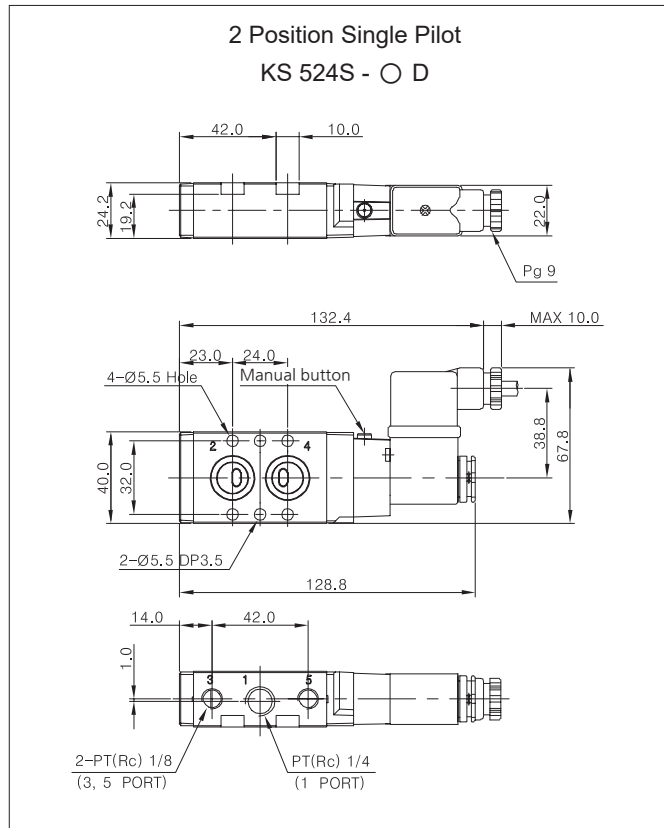
- Excellent durability with its non-lubricated type.
- Perfect for controlling system by PLC or computer with its low consuming current type.
- Large capacity valve can be used in combination with large pneumatic actuator.

Structure



Part no.	Parts	Material
1	Cover	Plastic Resin
2	Spool Spring	SUS
3	Body	AL D/C
4	Spool Ass'y	AL & Others
5	Pilot	Plastic Resin
6	Piston	Plastic Resin
7	Seat	Plastic Resin
8	Plunger	Stainless Steel
9	Coil Ass'y	CU & Others
10	Lock Nut	Plastic Resin

Dimensions



Dimensions

