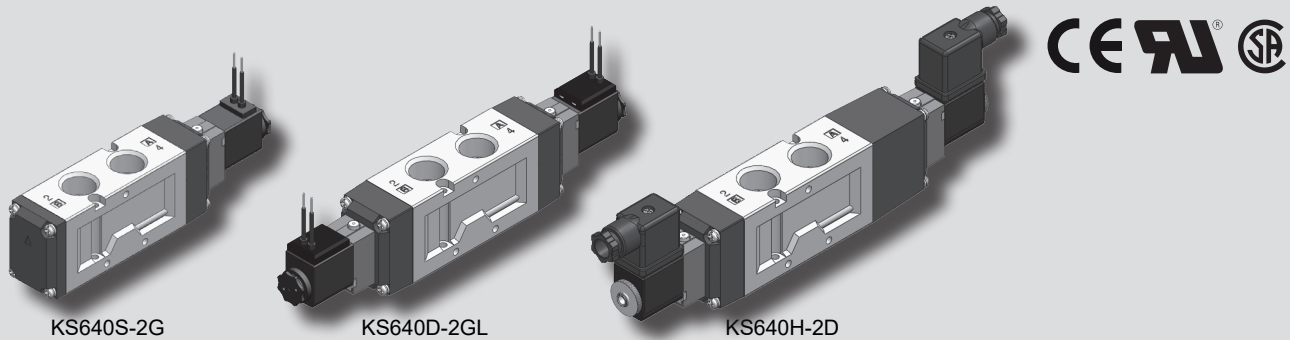
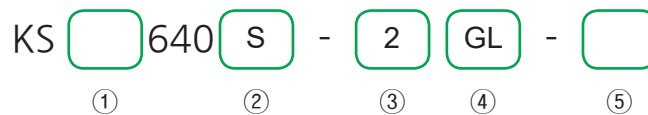


# KS640 series



## How to Order



### ① Port type

Nil	Rc(PT) (Standard)
G	G

### ③ Voltage

1	AC 100/110V 50/60Hz
2	AC 200/220V 50/60Hz
3	DC 24V
4	DC 12V

\* Custom made with AC24V, AC48V, DC48V, DC100V is available.

### ④ Electrical connection

GL	Lead wire & lamp
G	Lead wire
D	DIN coil + DIN connector
DUL	DIN coil + DIN connector (UL, CSA Approval)
Z	DIN coil + DIN connector with lamp + Surge killer
ZUL	DIN coil + DIN connector with lamp + Surge killer (UL, CSA Approval)
GU	Lamp with 90° plug(400mm)
GP	Lamp with 180° plug(400mm)
DEXT4	Explosion proof
M	DIN coil + Metal DIN connector

### ② Function

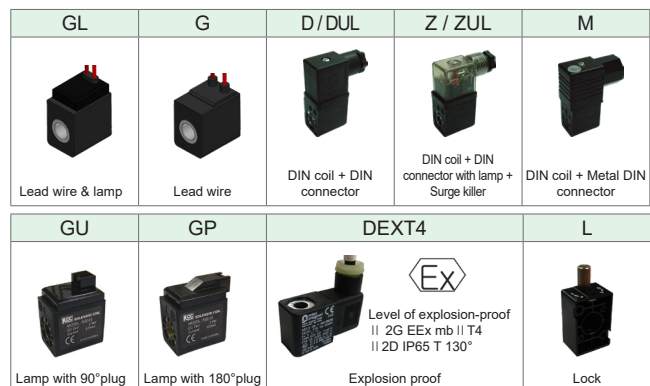
Function	Symbol	Function	Symbol
S Single acting		I Pressure center	
D Double acting		J Exhaust center	
H Closed center			

### ⑤ Manual override

Nil	Manual button (Standard)
L	Lock

## Specifications

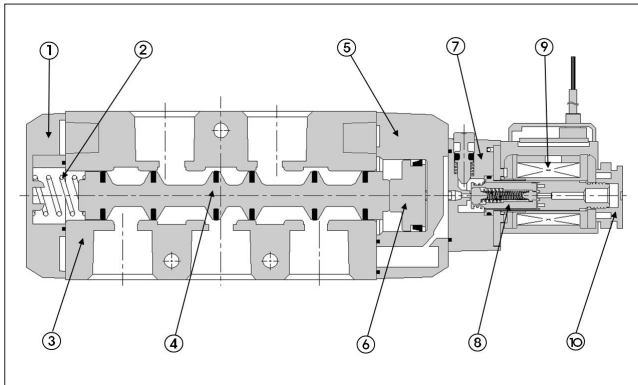
Type	S	D	H / I / J
Fluid	Air, Inert gas		
Port size	Rc(PT) 1/2, G 1/2		
Effective sectional area Smm <sup>2</sup> (Cv)	65mm <sup>2</sup> (3.6)	50mm <sup>2</sup> (2.8)	
Operating pressure	1.5~9kgf/cm <sup>2</sup> (0.15~0.9MPa)	2~9kgf/cm <sup>2</sup> (0.2~0.9MPa)	
Max. operating frequency	3 cycle/sec	2 cycle/sec	
Response time {at 5kgf/cm <sup>2</sup> (0.5MPa)}	≤ 30ms	≤ 40ms	
Lubrication	Not required (But, when lubricated Turbine oil ISO VG32 or equivalent)		
Manual override	Manual button (Standard), Lock		
Power consumption	DC	2.8W	
	AC	4.5/3.6VA (50/60Hz)	
Allowable voltage	±10% rated voltage		
Ambient & fluid temperature	5°C ~ 60°C		
Coil insulation	Class F		
Applicable cylinder	Ø50~Ø160		
Weight	500g	620g	850g



## Features

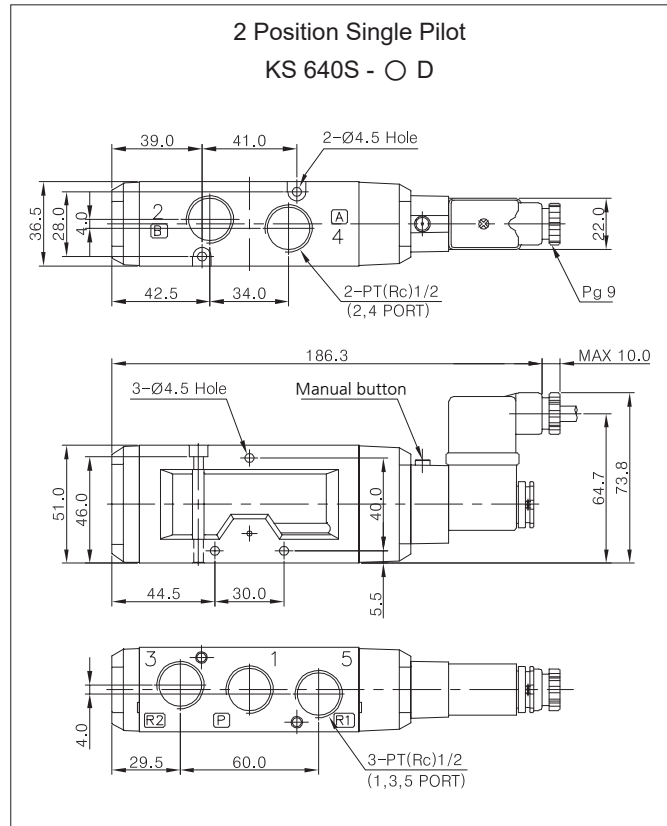
- Excellent durability with its non-lubricated type.
- Large capacity valve can be used in combination with large pneumatic actuator.
- Perfect for controlling system by PLC or computer with its low consuming current type.

**Structure**

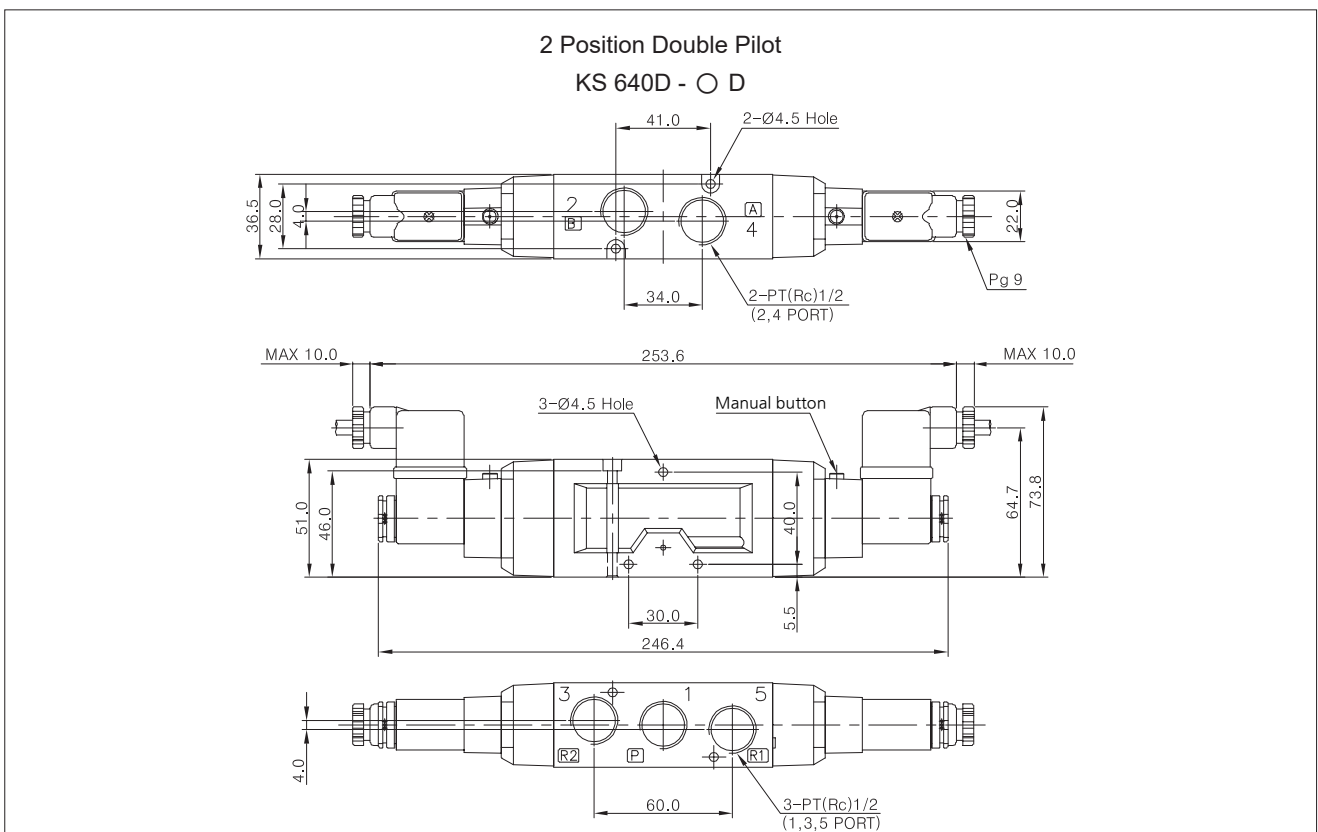


Part no.	Parts	Material
1	Cover	Plastic Resin
2	Spool Spring	SUS
3	Body	AL D/C
4	Spool Ass'y	AL & Others
5	Pilot	Plastic Resin
6	Piston	Plastic Resin
7	Seat	Plastic Resin
8	Plunger	Stainless Steel
9	Coil Ass'y	CU & Others
10	Lock Nut	Plastic Resin

**Dimensions**



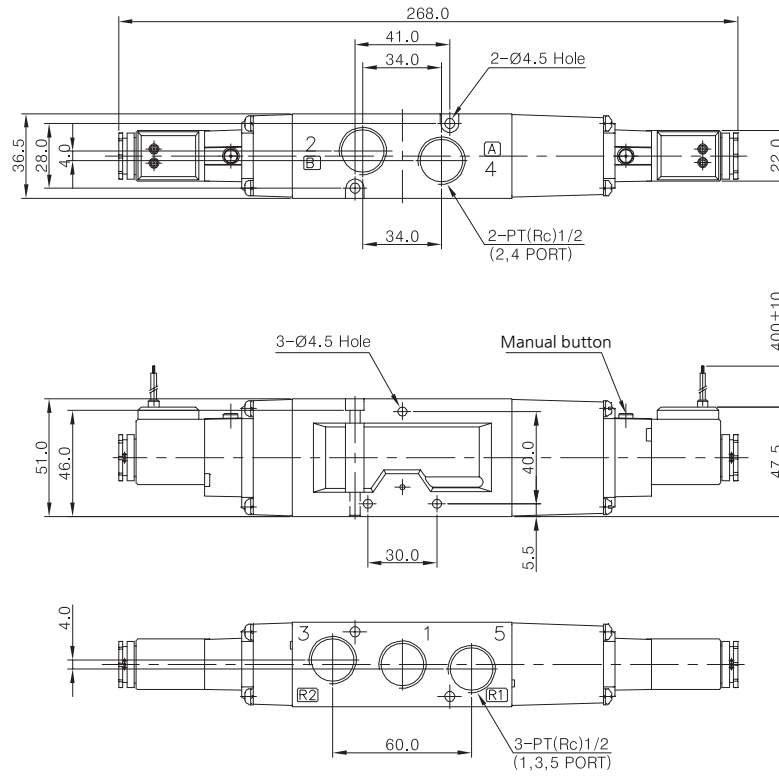
**Dimensions**



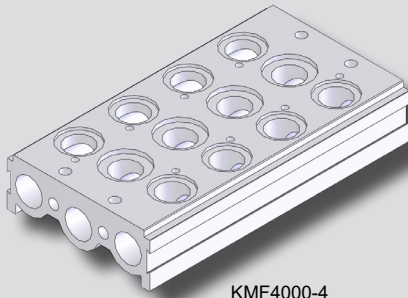
Dimensions

2 Position Double Pilot

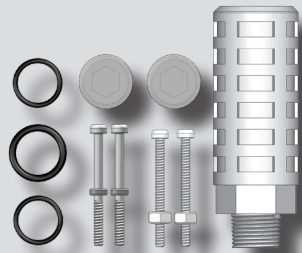
KS 640H(I, J) - O GL



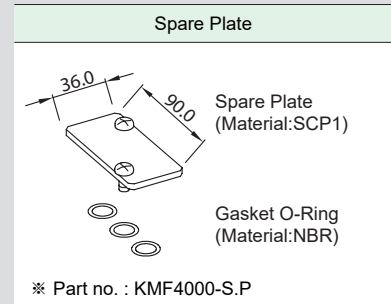
# KMF4000 Manifold Block



KMF4000-4



Accessory of manifold block



## How to Order

KMF4000 - 4

①                      ②

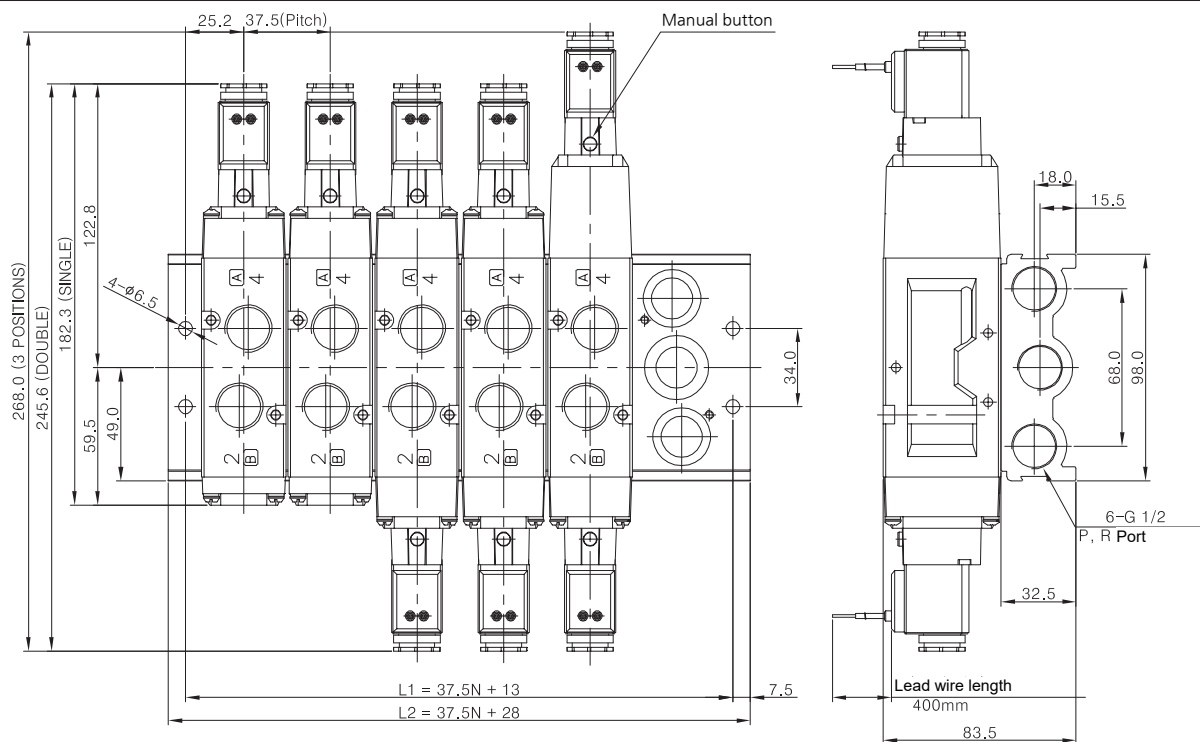
### ① Series

KMF4000	5 Port manifold block for KS640 series	Rc(PT) (Standard)
KMFG4000		G

### ② Station

2	2 Stations	5	5 Stations	8	8 Stations
3	3 Stations	6	6 Stations	9	9 Stations
4	4 Stations	7	7 Stations	10	10 Stations

## Dimensions



Compatible valve						
KCC	CKD	SMC	SY	TPC	YPC	PARKER
KS640	-	-	SV-420	DS5000	SF6000	PHS540

Station	2	3	4	5	6	7	8	9	10
L1	88	125.5	163	200.5	238	275.5	313	350.5	388
L2	103	140.5	178	215.5	253	290.5	328	365.5	403