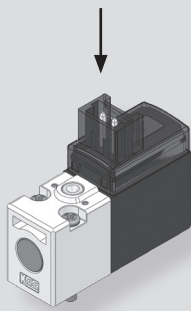
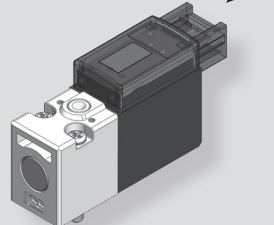


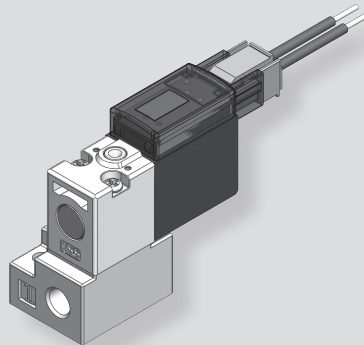
KT100 series



KT100-3GL-L



KT100-3GL-M



KT100-3GL-MB

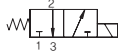
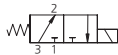


Certified by KIMM (Korean Institute of Machinery & Materials), This product is approved to maintain the quality and performance from the beginning under being given environmental conditions.

How to Order



① Function

Function	Symbol
110	N.C 
120	N.O 

② Voltage

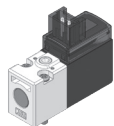

1	AC 100/110V 50/60Hz
2	AC 200/220V 50/60Hz
3	DC 24V
4	DC 12V

* Custom made with AC24V, AC48V, DC48V, DC100V is available.

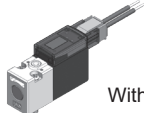
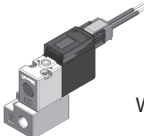
③ Electrical connection

GL	Lead wire & lamp
----	------------------

④ Lead wire connection

L	Vertical 
M	Horizontal * Only for AC220V 

⑤ Base

Nil	 Without Base
B	 With Base

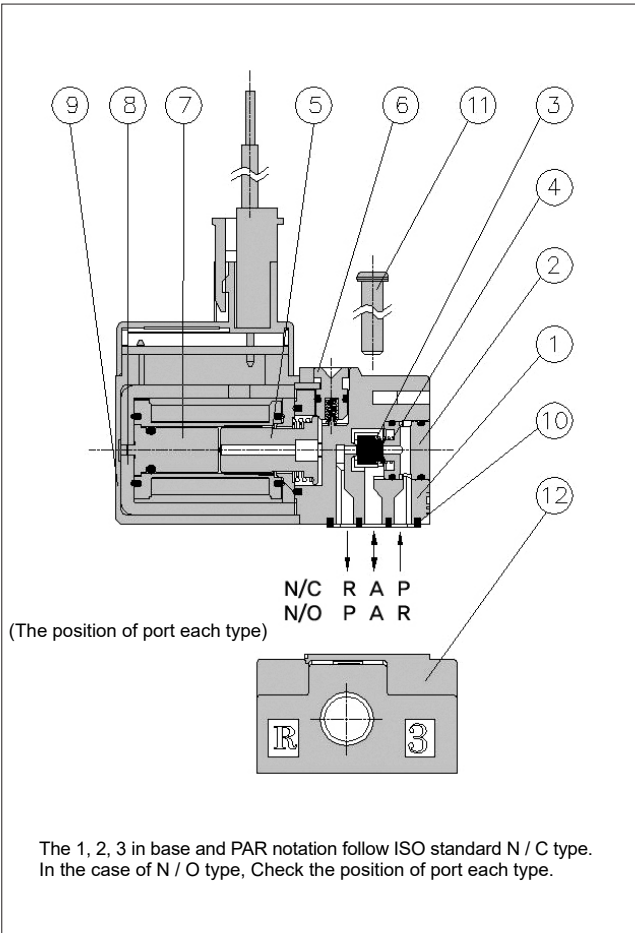
Specifications

Type	KT110	KT120
Fluid	Air, Inert gas	
Port size	M5	
Effective sectional area Smm ² (Cv)	1→2	0.14 (0.008)
	2→3	0.27 (0.015)
Operating pressure	0~7kgf/cm ² (0~0.7MPa)	0~5kgf/cm ² (0~0.5MPa)
Max. operating frequency	20 cycle/sec	
Response time (at 0.5MPa)	≤ 5ms	
Lubrication	Not required (But, when lubricated Turbine oil ISO VG32 or equivalent)	
Manual Override	Manual button (Standard)	
Power consumption	DC	1.0W (42mA)
Allowable voltage	±10% rated voltage	
Ambient & fluid temperature	-5 ~ 50℃ (No freezing)	
Coil insulation	Class B	
Impact/Vibration resistance	150/30 m/s ²	
Protection structure	Dust proof	
Weight	12.5g	

Features

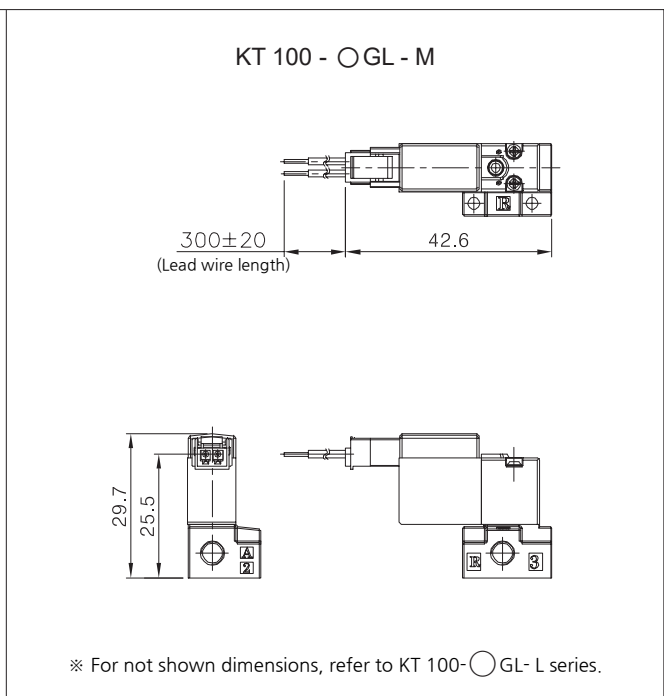
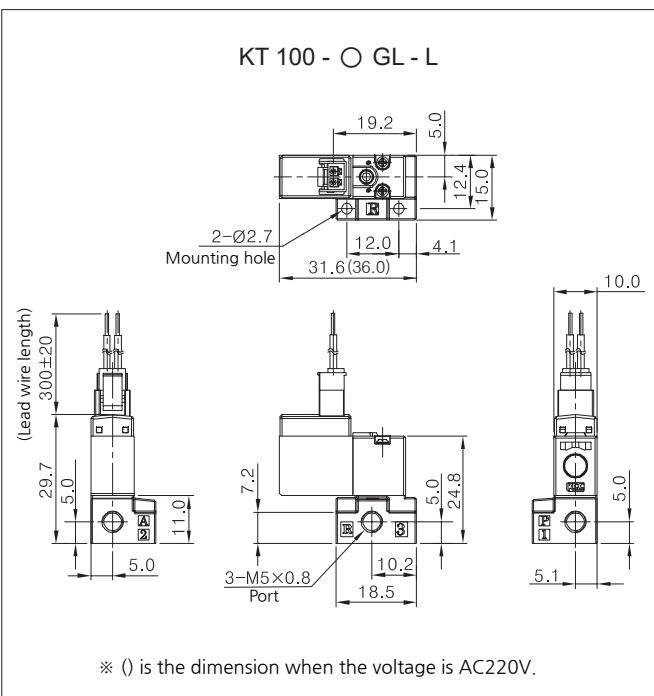
- Excellent durability with its non-lubricated type.
- Minimized installing area with its small size.
- Perfect for controlling system by PLC or computer with its low consuming current type.

Structure

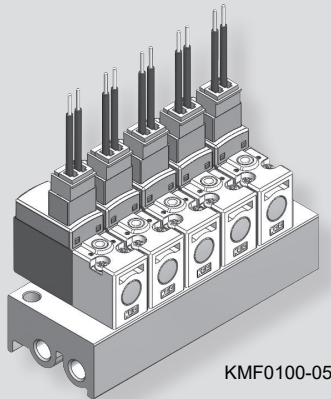


Part no.	Parts	Material
1	Body	Plastic Resin
2	Seat	Brass
3	Packing	Rubber
4	Return Spring	SUS
5	Plunger	SUS
6	Button	Plastic Resin
7	Stopper	SUS
8	Yoke	Carbon Steel
9	Mold Cover	Plastic Resin
10	Body Packing	Rubber
11	Mounting Screw for Valve	Carbon Steel
12	Base	Zn

Dimensions



KMF0100 Manifold Block



KMF0100-05

How to Order

KMF0100 - 05

①

②

① Series

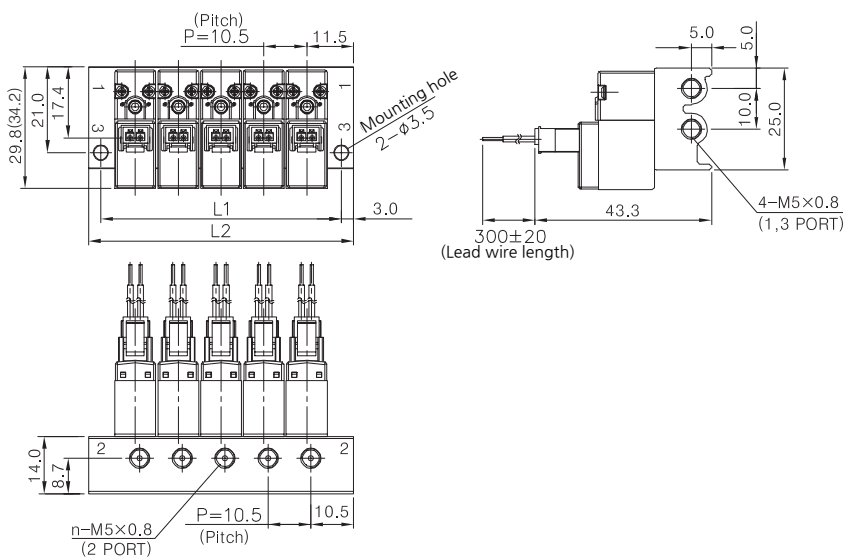
KMF0100	3 port manifold block for KT100 series
---------	--

② Station

2	2 Stations
3	3 Stations
~	~
20	20 Stations

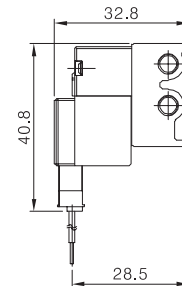
Dimensions

GL - L Type



※ () is the dimension when the voltage is AC220V.

GL - M Type



※ For not shown dimensions, refer to GL-L series.

Station	2	3	4	5	6	7	8	9	10	11	12	13	14	15	16	17	18	19	20
L1	27.5	38	48.5	59	69.5	80	90.5	101	111.5	122	132.5	143	153.5	164	174.5	185	195.5	206	216.5
L2	33.5	44	54.5	65	75.5	86	96.5	107	117.5	128	138.5	149	159.5	170	180.5	191	201.5	212	222.5