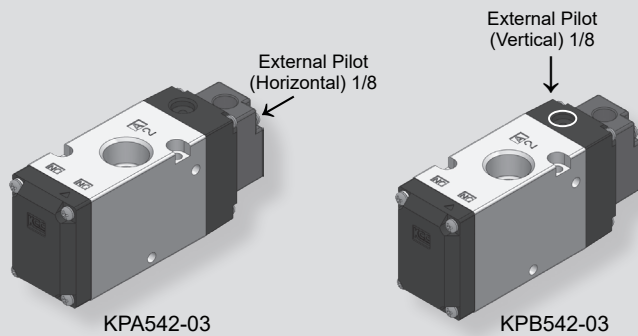


KPA(B)542 series



How to Order

KP A 542 - 03

① ② ③ ④

① Air supply direction

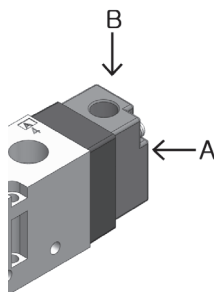
A	Horizontal (Standard)
B	Vertical

② Port type

Nil	Rc(PT) (Standard)
G	G

④ Port size

02	Rc(PT), G 1/4
03	Rc(PT), G 3/8 (Standard)



③ Functon

Functon		Symbol
Nil (N.C, N.O compatible)	N.C	
	N.O	

※ When using external pilot type in vacuum, only KPA type is applicable.

Specifications

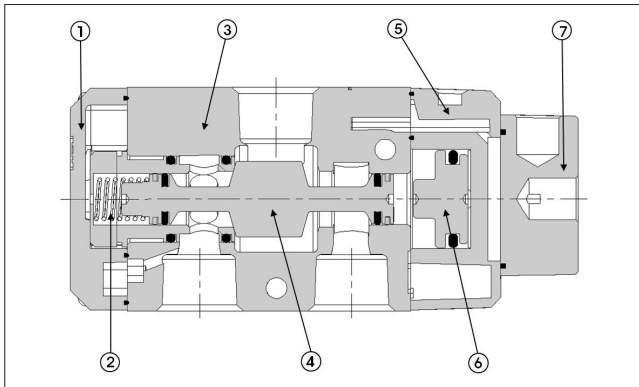
Fluid	Air, Inert gas	
Port size	Rc(PT) 1/4, 3/8, G 1/4, 3/8	
External pilot port size	Rc(PT) 1/8	
Effective sectional area Smm ² (Cv)	45mm ² (2.4)	
Operating pressure	Internal Pilot	2.0~8.0kgf/cm ² (0.2~0.8MPa)
	External Pilot	-1.0~2.0kgf/cm ² (-0.1~0.2MPa)
Pilot pressure	Identical to operating pressure (Min. 2kgf/cm ² , 0.2MPa)	
Max. operating frequency	5 cycle/sec	
Ambient & fluid temperature	5℃~60℃	
Weight	290g	

Features

- A single valve with 6 valve functions. (Universal porting type)
- With the structure of a valve preventing fixation and resistant to dust it operates perfectly.
- Possible to use in vacuum

※ Refer to KPS542 series for applications.

Structure



Part no.	Parts	Material
1	Cover	Plastic Resin
2	Spool Spring	SUS
3	Body	AL D/C
4	Spool Ass'y	AL & others
5	Pilot	Plastic Resin
6	Piston	Plastic Resin
7	Adapter plate	Zn D/C

Dimensions

