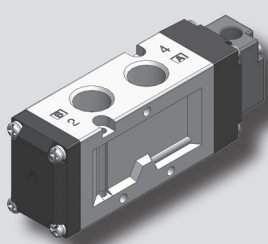
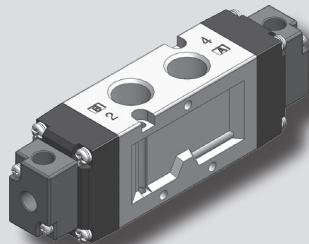


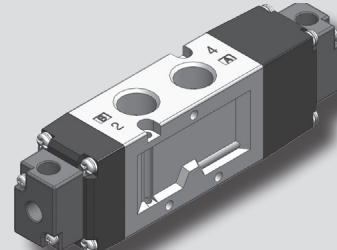
# KA(B)V530 series



KA(B)V530S



KA(B)V530D



KA(B)V530H

## How to Order



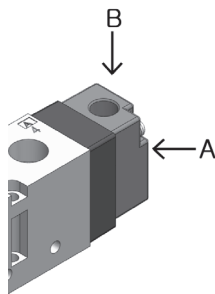
### ① Air supply direction

|   |            |
|---|------------|
| A | Horizontal |
| B | Vertical   |

### ② Port type

|     |        |
|-----|--------|
| Nil | Rc(PT) |
| G   | G      |

### ③ Function



| Function |                 | Symbol |
|----------|-----------------|--------|
| S        | Single acting   |        |
| D        | Double acting   |        |
| H        | Closed center   |        |
| I        | Pressure center |        |
| J        | Exhaust center  |        |

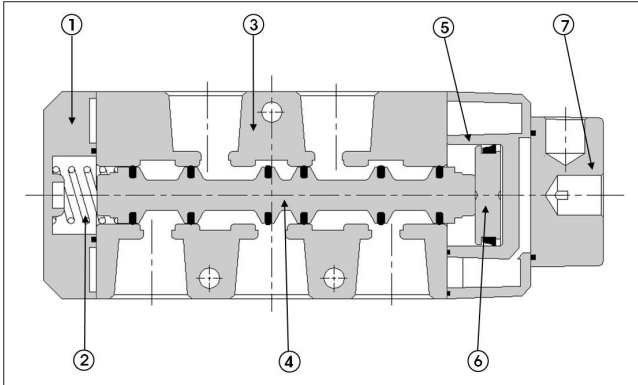
## Specifications

| Type   | S   | D                                      | H / I / J |
|--|---|--|-----------|
| Fluid  | Air, Inert gas                            |  |           |
| Port size                                      | Rc(PT) 3/8, G 3/8                         |  |           |
| External pilot port size                       | Rc(PT) 1/8                                |  |           |
| Effective sectional area Smm <sup>2</sup> (Cv) | 45mm <sup>2</sup> (2.5)                   | 38mm <sup>2</sup> (2.1)                |           |
| Operating pressure                             | 1.5~9kgf/cm <sup>2</sup><br>(0.15~0.9MPa) | 2~9kgf/cm <sup>2</sup><br>(0.2~0.9MPa) |           |
| Pilot pressure                                 | 2~10kgf/cm <sup>2</sup> (0.2~1MPa)        |  |           |
| Max. operating frequency                       | 5 cycle/sec                               | 3 cycle/sec                            |           |
| Ambient & fluid temperature                    | 5°C ~ 60°C                                |  |           |
| Weight   | 310g                                      | 380g                                   | 420g      |

## Features

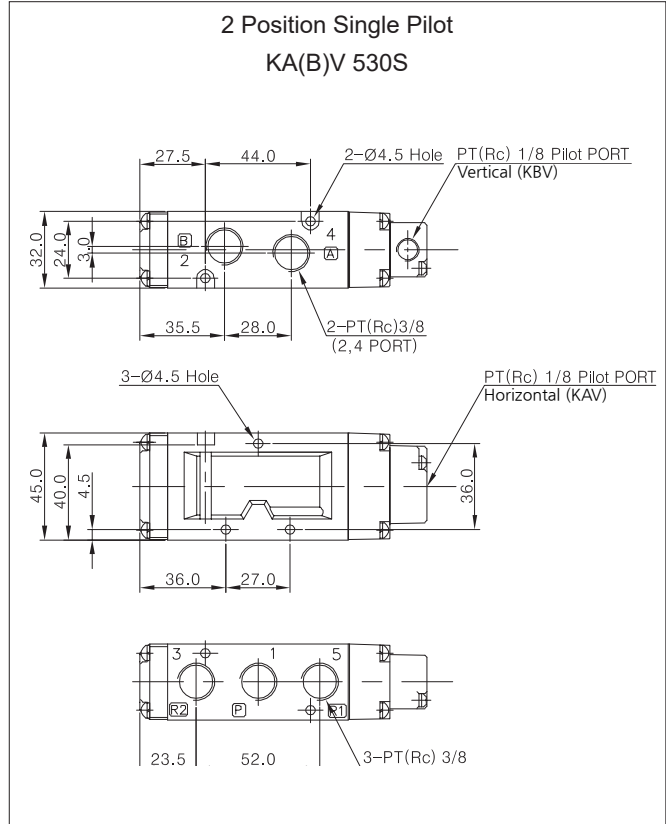
- Excellent durability with its non-lubricated type.
- Large capacity valve, suitable for large actuator.
- Fast response with its low pressure pilot.
- Easy to install when horizontal type(KAV) or vertical type(KBV) is selected according to installation direction.

**Structure**



| Part no. | Parts         | Material      |
|----------|---------------|---------------|
| 1        | Cover         | Plastic Resin |
| 2        | Spool Spring  | SUS           |
| 3        | Body          | AL D/C        |
| 4        | Spool Ass'y   | AL & Others   |
| 5        | Pilot         | Plastic Resin |
| 6        | Piston        | Plastic Resin |
| 7        | Adapter Plate | Metal         |

**Dimensions**



**Dimensions**

