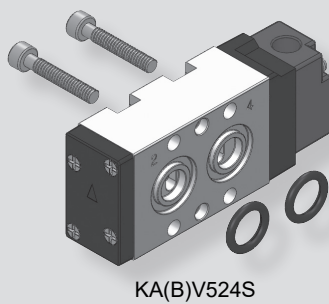
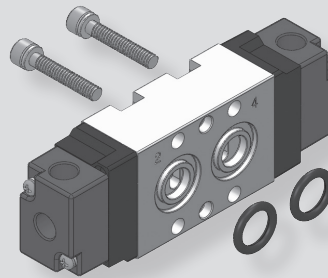


KA(B)V524 series (NAMUR Small type)



KA(B)V524S



KA(B)V524D

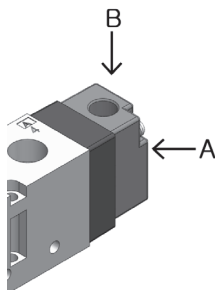
How to Order

K A V 524 S

① ② ③

① Air supply direction

A	Horizontal
B	Vertical



② Port type

Nil	Rc(PT) (Standard)
G	G

③ Function

Function		Symbol
S	Single acting	
D	Double acting	

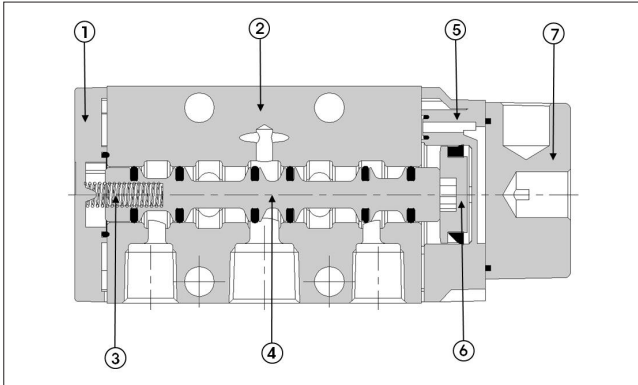
Specifications

Type	S	D
Fluid	Air, Inert gas	
Port size	Rc(PT) 1/4, G1/4	
External pilot port size	Rc(PT) 1/8	
Effective sectional area Smm ² (Cv)	19mm ² (1.0)	
Operating pressure	0.15~0.9MPa (1.5~9kgf/cm ²)	
Pilot pressure	0.2~1.0MPa (2~10kgf/cm ²)	
Max. operating frequency	5 cycle/sec	
Ambient & fluid temperature	5°C ~ 60°C	
Weight	192g	252g

Features

- Excellent durability with its non-lubricated type.
- Large capacity valve, can be used for large actuator.
- Fast response with its low pressure pilot.
- Easy to install when horizontal type(KAV) or vertical type(KBV) is selected according to installation direction.

Structure



Part no.	Parts	Material
1	Cover	Plastic Resin
2	Body	AL D/C
3	Spool Spring	SUS
4	Spool Ass'y	AL & Others
5	Pilot	Plastic Resin
6	Piston	Plastic Resin
7	Adapter Plate	Metal

Dimensions

