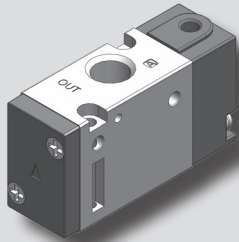
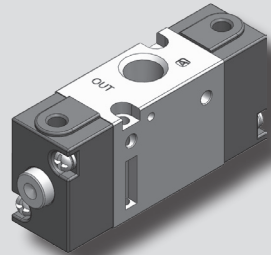


KA(B)V341 series



KBV341S



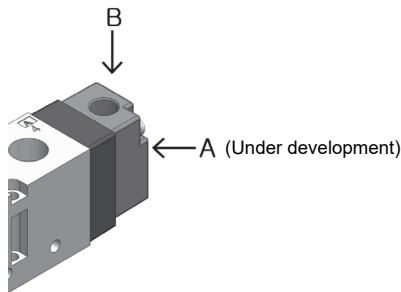
KBV341D

How to Order

K **B** V **341** **S**
 ① ② ③

① Air supply direction

B	Vertical
A	Horizontal (Under development)



② Port type

Nil	Rc(PT) (Standard)
G	G

③ Function

Function	Symbol
S Single acting	
O Normally Open	
D Double acting	

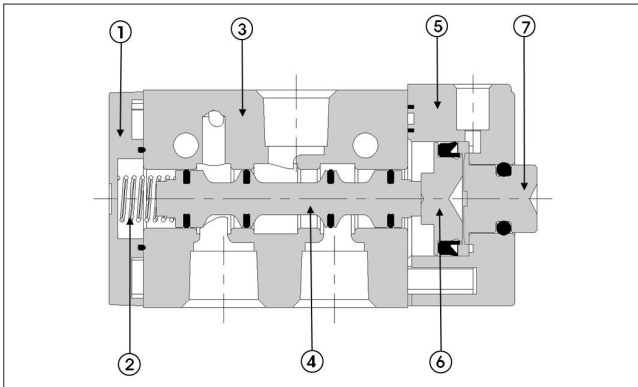
Specifications

Type	S / O	D
Fluid	Air, Inert gas	
Port size	Rc(PT) 1/8, G 1/8	
External pilot port size	M5	
Effective sectional area Smm ² (Cv)	12.6mm ² (0.6)	
Operating pressure	1.5~9kgf/cm ² (0.15~0.9MPa)	
Pilot pressure	2~10kgf/cm ² (0.2~1MPa)	
Max. operating frequency	5 cycle/sec	
Ambient & fluid temperature	5°C ~ 60°C	
Weight	78g	102g

Features

- Excellent durability with its non-lubricated type.
- Easy to mount and to maintain with its light weight and small size.
- Fast response with its low pressure pilot.
- Easy to install when horizontal type(KAV) or vertical type(KBV) is selected according to installation direction.

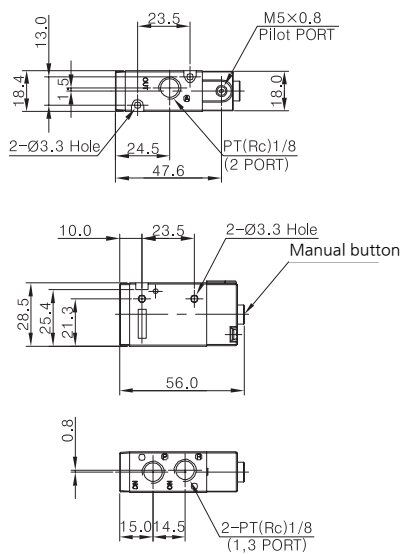
Structure



Part no.	Parts	Material
1	Cover	Metal
2	Spool Spring	SUS
3	Body	AL D/C
4	Spool Ass'y	AL & Others
5	Adapter Plate	Metal
6	Piston	Plastic Resin
7	Button	AL

Dimensions

3 Position Single Pilot
KA(B)V O341S



3 Position Double Pilot
KA(B)V O341D

