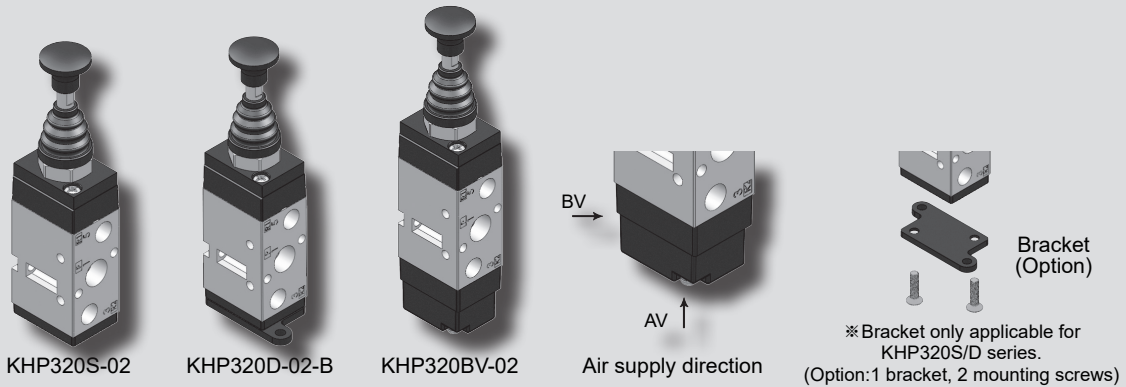


# KHP320 series



## How to Order

KHP    320 D - 02 - B

①                      ②                      ③                      ④

### ① Port type

Nil	Rc(PT) (Standard)
G	G

### ③ Port size

01	Rc(PT) 1/8, G 1/8
02	Rc(PT) 1/4, G 1/4

### ② Function

Function	Symbol
S      Spring return	
D      Push pull	
BV      Air return (Standard) (Vertical air supply)	
AV      Air return (Custom made) (Horizontal air supply)	

### ④ Option

Nil	Without mounting bracket
B	With mounting bracket

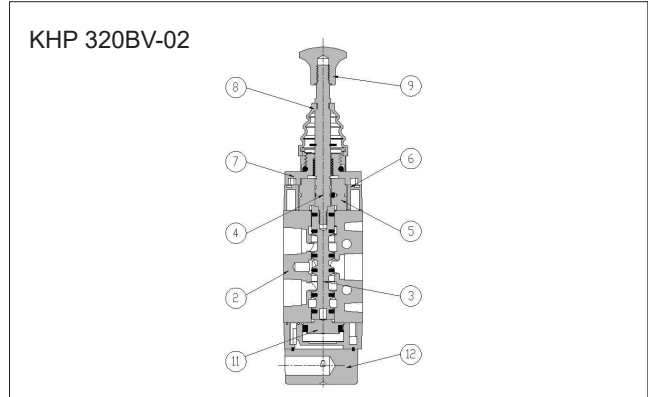
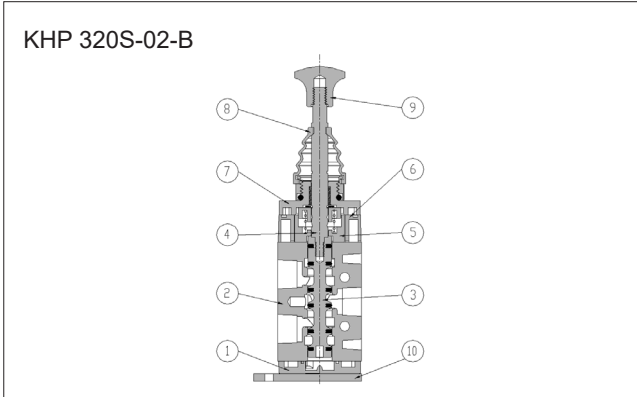
## Specifications

Type	S	D	AV / BV
Fluid	Compressed air		
Port size	Rc(PT) 1/8, 1/4, G1/8, 1/4		
Effective sectional area Smm <sup>2</sup> (Cv)	19mm <sup>2</sup> (1.0)		
Operating pressure	0~9kgf/cm <sup>2</sup> (0~0.9MPa)		
Lubrication	Not required (But, when refueling Turbine oil ISO VG32 or equivalent)		
Ambient & fluid temperature	0℃ ~ 60℃		
Weight	210g	210g	260g

## Features

- Excellent durability with its non-lubricated type.
- Minimized installing area with its small size.
- Valve can be installed vertically by selecting bracket attached type.

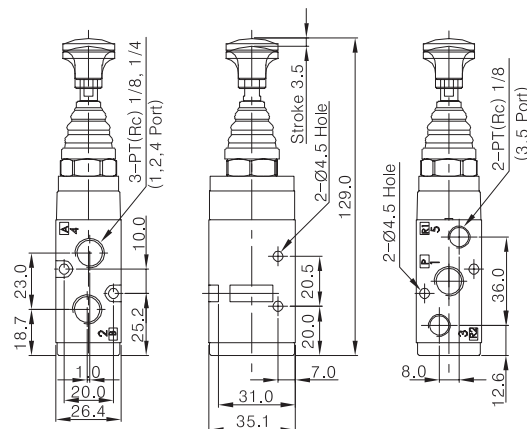
**Structure**



Part no.	Parts	Material
1	Cover	Metal
2	Body	AL D/C
3	Spool Ass'y	AL & Others
4	Lever	Stainless Steel
5	Guide	Plastic Resin
6	Pilot	Zn D/C
7	Lever Plate	Zn D/C
8	Block Packing	NBR
9	Knob	Aluminium
10	Bracket	SCP1
11	Piston	Plastic Resin
12	Adapter Plate	Zn D/C

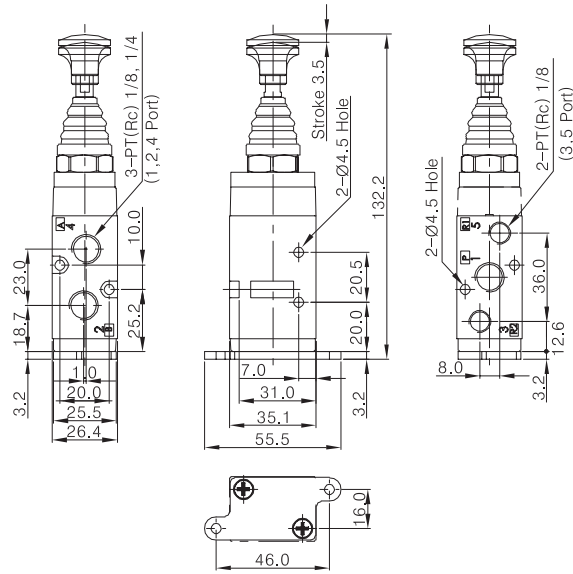
**Dimensions**

KHP 320S - 02



Dimensions

KHP 320D - 02 - B



KHP 320BV - 02

