

## Product Details

The Metis Direct linear is a family of surface, recessed and suspended luminaires, providing ideal task lighting in office, retail, and hospitality applications.

- Available as a solo luminaire or continuous system
- Available in a range of colours
- Tridonic LED modules and drivers
- Mymesh Ready



## Product Specification

|                                  |        |      |
|----------------------------------|--------|------|
| Colour Temperature (k)           | 3000   | 4000 |
| Colour Rendering Index (CRI)     | 80     |      |
| Glare Control (UGR)              | <20    | <26  |
| MacAdam SDCM                     | 3      |      |
| Average Luminaire Efficacy       | 122.8  |      |
| Ingress Protection (IP)          | IP40   |      |
| Average Lifespan (Hr)            | 72,000 |      |
| Operating Temperature Range (°C) | -25    | +35  |

## Electrical Specification

|                       |         |
|-----------------------|---------|
| Voltage (V)           | 220-240 |
| Frequency (Hz)        | 50-60   |
| Electrical Protection | Class I |

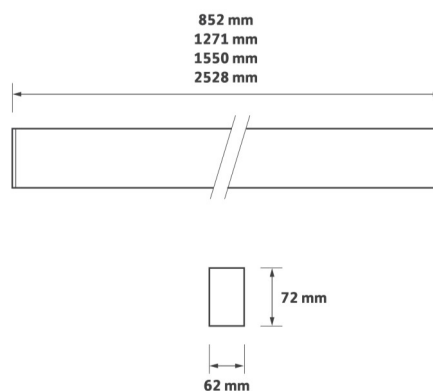
## Luminaire Options

|           |           |          |        |
|-----------|-----------|----------|--------|
| Emergency | 3hr       | 3hr Dali |        |
| Dimming   | 0-10v     | Dali     | Switch |
| Colour    | White     | Grey     |        |
| Diffusers | Prismatic | Opal     |        |

## Lumen Performance

| Product Code        | Output | Colour | Wattage | Efficacy |
|---------------------|--------|--------|---------|----------|
| <b>Metis 800mm</b>  |        |        |         |          |
| MET L8 LED12        | 1214   | 840    | 11      | 110.5    |
| MET L8 LED18        | 1685   | 840    | 14.6    | 115.2    |
| MET L8 LED28        | 2738   | 840    | 23.1    | 118.4    |
| <b>Metis 1200mm</b> |        |        |         |          |
| MET L12 LED18       | 1822   | 840    | 14.6    | 124.8    |
| MET L12 LED27       | 2528   | 840    | 20      | 126.3    |
| MET L12 LED43       | 4108   | 840    | 33.2    | 123.9    |
| <b>Metis 1500mm</b> |        |        |         |          |
| MET L15 LED22       | 2227   | 840    | 17.5    | 127.2    |
| MET L15 LED33       | 3090   | 840    | 24.2    | 127.8    |
| MET L15 LED52       | 5020   | 840    | 40.3    | 124.6    |
| <b>Metis 2500mm</b> |        |        |         |          |
| MET L25 LED36       | 3644   | 840    | 29.2    | 124.8    |
| MET L25 LED54       | 5056   | 840    | 40      | 126.3    |
| MET L25 LED85       | 8215   | 840    | 66.3    | 123.9    |

## Dimensions



|             | MET L8 | MET L12 | MET L15 | MET L25 |
|-------------|--------|---------|---------|---------|
| Length (mm) | 852    | 1271    | 1550    | 2528    |
| Width (mm)  | 62     | 62      | 62      | 62      |
| Height (mm) | 72     | 72      | 72      | 72      |
| Weight (kg) | 2.5    | 3.5     | 4.3     | 7.3     |