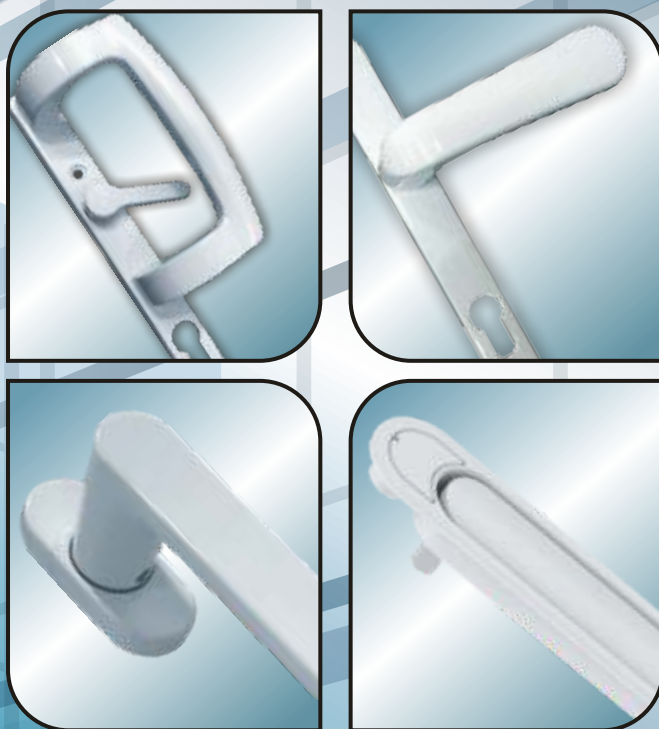


Pego



*uPVC Door & Window
Hardware*

**Inspired By Design,
Powered By Quality**

Pego

*Inspired by Design,
Powered by Quality*

PEGO is one of the leading and a pioneer Door & Window Hardware Brand in India. PEGO has created niche with focus on Aluminium & uPVC Door & Window Hardware. **“Inspired by Design & Powered by Quality”** – The Organization lives by this Tagline & it is integral to the ethos of the company.

PEGO Hardware through its reach, diversity & innovations has made enormous strides in setting trends, benchmarks, redefining and creating strong niche in the Indian fenestration industry over a decade. The Company has already executed many Private, Government & Institutional Projects across the country.

PEGO has complete range of Aluminium & uPVC door & window hardware covering:

- ☑ Casement Door Hardware
- ☑ Sliding Door Hardware
- ☑ Casement Window Hardware
- ☑ Sliding Window Hardware

The USP of **PEGO** is its ability to address the need of the industry and various stakeholders with respect to hardware solutions through its range of innovative and premium products. It is for this reason company has enjoyed patronage over the years of Developers, Architects, Consultants & Door and Window Manufacturers.

PEGO with its extensive growth has managed its presence on PAN India basis through its sales team and Branch Offices cum Warehouses. The company boasts of state of the art facility with testing laboratory. At its head office, PEGO has created first of its kind Application Centre by a hardware company in fenestration Industry in India with the display of new innovative hardware products & their application. The Company has its In-House R&D Lab fully equipped to measure product cycle testing, powder coating thickness, material composition enabling it to deliver premium quality products with 10 years warranty. All products are backed up with all the requisite certifications from internal & external laboratories.

PEGO under the leadership of its founder Mr. Karan Shah – Foster the team with zeal, thrive and passion leading them to become the company to be **“Partner of Choice..!”** on a National Level.



ISO 9001:2015
CERTIFIED





Our Competitive Advantage

- ✓ **Cost effective solutions**
Price competitive when compared against our competitors.
- ✓ **Innovation**
We pride in innovating and addressing the essential need of our customers through our products. We are responsible for introducing lot of first in Indian Fenestration Industry
- ✓ **Customization**
We mould ourselves to the need of our client. Hence customization in terms of design, powder coating etc is possible.
- ✓ **Quality**
All our products undergo stringent quality control and are checked for 25,000 product test cycles as per European standards. All products are tested inhouse in our testing lab.
- ✓ **Warranty**
10 year warranty is offered on all our products from any manufacturing defects.
- ✓ **Client Servicing**
With the sales team present on PAN India supported by our regional warehouses, each client is serviced by a dedicated executive who serves as a single point of contact for all requirements.

Finishes available for our featured products



White (RAL 9016)



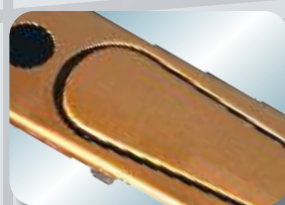
Black (RAL 9005)



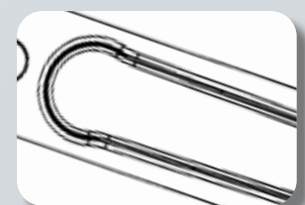
Brown (RAL 8019)



Silver Finish



Golden Finish



Custom

Pego
*Inspired By Design,
Powered By Quality*

WARRANTY CERTIFICATE

We at PEGO Hardware take pride in the products provided by us. All PEGO products are passed through stringent quality parameters ensuring only the finest of products being delivered to customers.

All PEGO products come with 10 YEARS WARRANTY from date of invoicing. This warranty includes free replacement of products that fail to function properly due to any manufacturing defect ie, stable mechanical working of goods, paint & coating of the goods & maintainability of casting, Ironsheet & plastic parts.

This WARRANTY is NOT applicable under the following conditions:

- Failure to provide defective product & the invoice details.
- Only PEGO products are bought directly from the company or its approved & authorized channel partners are covered under the warranty. Third party purchases are not covered under the warranty
- Cutting or making changes which can cause deformation of mechanical systems.
- Cleaning the goods by using chemical liquids.
- Assembling of product without corresponding installation instructions.
- Installation of product in different place other than the purpose mentioned by the manual.
- Mishandling of products and external damage.

PEGO HARDWARE
Plot No. 28/1/8, Site IV, Sahibabad Industrial Area
Ghaziabad, U.P.-201010 (India)
www.pego.in | info@pego.in



Application Center



Test Certificates

SPECTRO
Analytical Labs Limited
CH/174226DL/1988PLC/002093

TEST REPORT

ZINC ALLOY

Date: 06-Aug-19 07:43 PM Program: Zn-60-X
Sample ID: ID-D190806018-1 Comment: Zn Alloy

Element	%	Test Method
Zinc	95.77	SOP/CHE/00-Zn
Aluminium	3.56	--do--
Copper	0.630	IS 2599:1983 (RA 2000)
Magnesium	0.007	SOP/CHE/00-Zn
Cadmium	0.0002	--do--
Iron	0.010	IS 2599:1983 (RA 2000)
Indium	0.0001	SOP/CHE/00-Zn
Nickel	0.0090	--do--
Lead	0.0074	--do--
Tin	0.0001	--do--
Thallium	0.0001	--do--

SPECTRO
Analytical Labs Limited
CH/174226DL/1988PLC/002093

TEST REPORT

STAINLESS STEEL

Date: 06-Aug-19 04:12 PM Program: Fe-30-X
Sample ID: ID-D190806018-2 Comment: SS/Fe

Element	%	Specified	Conformity	Test Method
Carbon	0.044	0.080 Max	Yes	ASTM E-1086-2014
Silicon	0.379	0.750 Max	Yes	--do--
Manganese	1.10	2.00 Max	Yes	--do--
Sulphur	<0.005	0.030 Max	Yes	--do--
Phosphorus	0.0310	0.045 Max	Yes	--do--
Chromium	18.51	18 Min - 20.00 Max	Yes	--do--
Nickel	8.08	8 Min - 10.50 Max	Yes	--do--
Nitrogen	0.045	0.100 Max	Yes	SOP/CHE/00-SS

Remark: Sample Conforms to Grade AISI304 with respect to above test.

SPECTRO
Analytical Labs Limited
CH/174226DL/1988PLC/002093

TEST REPORT

ALUMINIUM ALLOY

Date: 08-Aug-19 07:48 PM Program: Al-10-X
Sample ID: ID-D190806018-4 Comment: Al1-Alloy

Element	%	Test Method
Copper	0.620	ASTM E1251-2011
Magnesium	0.250	--do--
Silicon	6.54	--do--
Iron	0.650	SOP/CHE/00-AL
Nickel	0.019	ASTM E1251-2011
Manganese	0.374	--do--
Zinc	0.446	--do--
Lead	0.024	SOP/CHE/00-AL
Tin	0.012	--do--
Titanium	0.033	ASTM E1251-2011
Chromium	0.016	--do--
Vanadium	0.011	--do--

SPECTRO
Analytical Labs Limited
CH/174226DL/1988PLC/002093

TEST REPORT

SALT SPRAY TEST REPORT

TEST RESULTS

During each observation, indicate the number of parts involved. The sum of each column should correspond to the total number of parts for the test

A: no rust	B: appearance of white rust					C: white rust over more than 5% of the surface					D: appearance of red rust							
D						X	X	X	X	X	X	X	X	X	X	X	X	
C																		
B																		
A	✓	✓	✓	✓	X													
Hours	24	48	72	96	120	144	168	192	216	240	264	288	312	336	360	384	408	432
Date	9-7-18	10-7-18	11-7-18	12-7-18	13-7-18	15-7-18	16-7-18	17-7-18	18-7-18	19-7-18	20-7-18	22-7-18	23-7-18	24-7-18	25-7-18	26-7-18	27-7-18	28-7-18
SUNDAY																		
D											X							
C	X	X	X	X	X													
B																		
A																		
Hours	456	480	504	528	552	576	600	624										
Date	30-7-18	31-7-18	1-8-18	2-8-18	3-8-18	5-8-18	6-8-18	7-8-18										
Appearance of White Rust						Appearance of Red Rust						Total test duration						
120 / 144 Hours						624 Hours						624 Hours						
TEST RESULTS																		
COMPLIES ✓ DOES NOT COMPLY %																		
Note/Not: The test chamber is opened at 17 ⁰⁰ hours everyday for test piece checking and replacement.																		
Comments: after 120 Hours first White Rust Appearance after 144 Hours more than %5 White Rust after 624 Hours first Red Rust Appearance																		

SPECTRO
Analytical Labs Limited
CH/174226DL/1988PLC/002093

TEST REPORT

Thickness of Coating

ID No- D190806018-4

S. N.	Test Parameter	Result	Test Method
1.	Thickness of Powder Coating	90 - 95 micron	IS:8012-1992 (RA-2010)

SPECTRO
Analytical Labs Limited
CH/174226DL/1988PLC/002093

TEST REPORT

Thickness of Coating

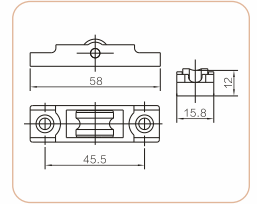
ID-D190806008-3

S. N.	Test Parameter	Result	Test Method
1.	Thickness of Zinc Coating	14.5 micron	IS:1573-1986

Rollers

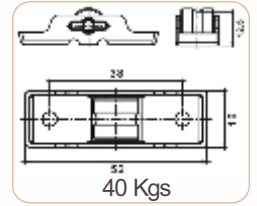
SR 21

Single Wheel
Metal Roller



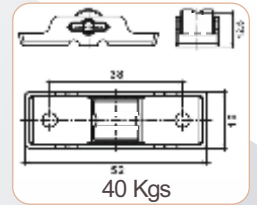
SR 21PVC

Single Wheel Groove
Nylon Roller (16mm)



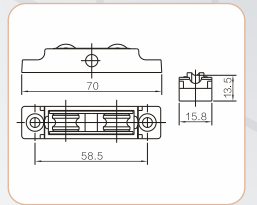
SR 21PVCF

Single Wheel Flat
Nylon Roller (16mm)



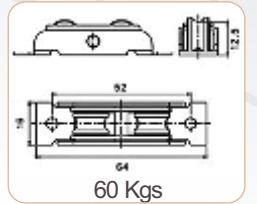
SR 23

Double Wheel Metal
Swing Roller



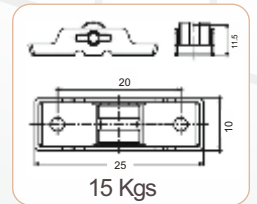
SR 23PVC

Double Wheel
Nylon Swing Roller



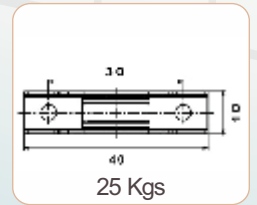
SR 27

Mesh Roller



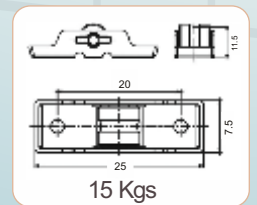
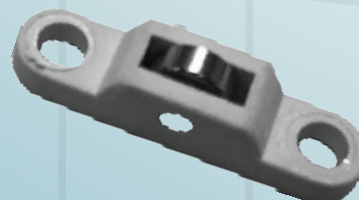
SR 29

Nylon Mesh Roller



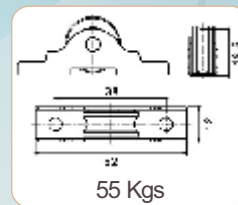
SR 33

Nylon Mesh Roller



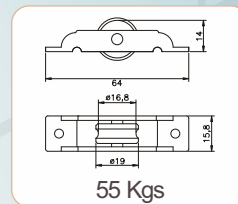
SR 25-12

Single Wheel Ball Bearing
Nylon Roller (Euro Groove)



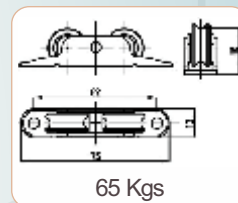
SR 32

Single Wheel Ball Bearing
Nylon Roller (Non Euro Groove)



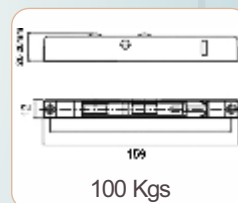
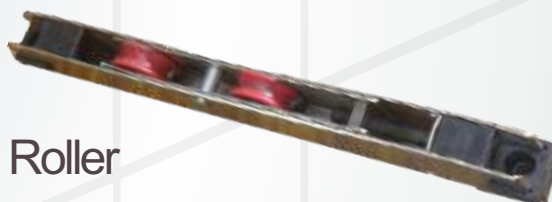
SR 26-12

Double Wheel Ball Bearing
Nylon Roller



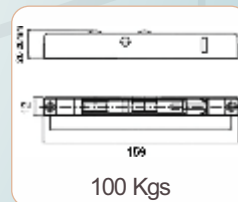
SR 24

Adjustable Double
Wheel Nylon Door Roller



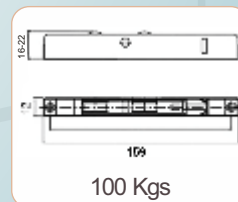
SR 24M

Adjustable Double
Wheel Metal Door Roller



SR 24-16

Adjustable Double
Wheel Nylon Door Roller



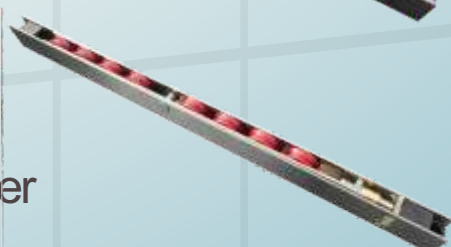
SR 30

SS Body Four Wheel
Heavy Duty Door Roller



SR 31

SS Body Eight Wheel
Heavy Duty Door Roller

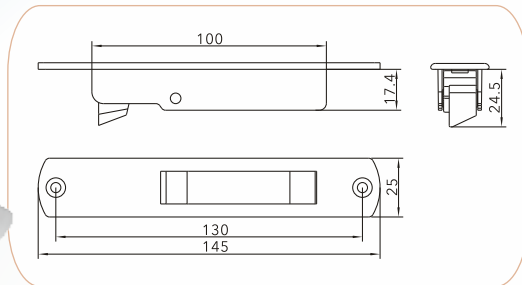


Rollers

Sliding Series

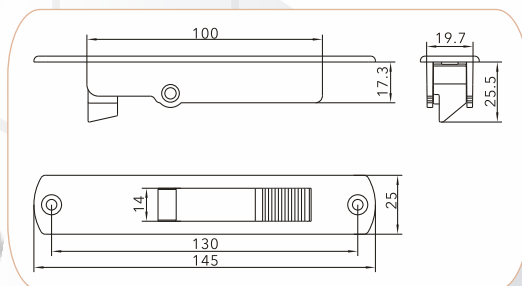
SL 31

Sliding Touch Lock



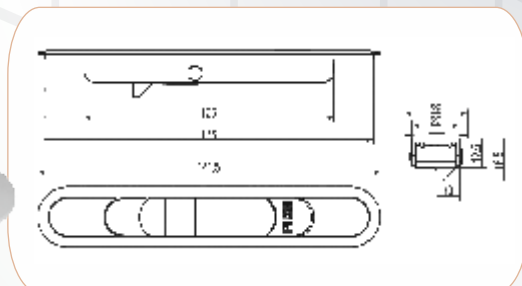
SL 31A

Sliding Touch Lock



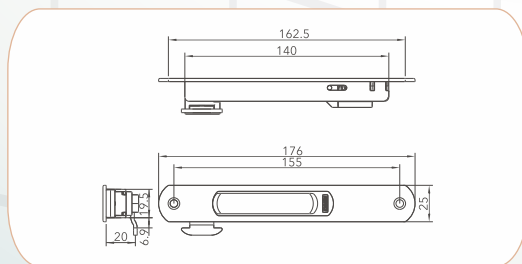
SL 42

Sliding Touch Lock



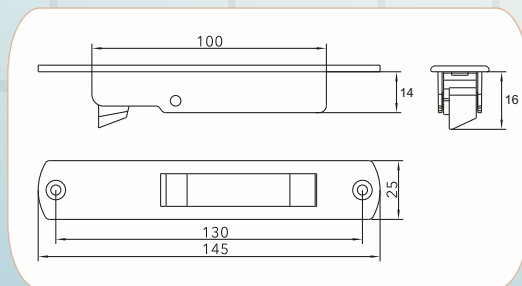
SL 53

Sliding Touch Lock



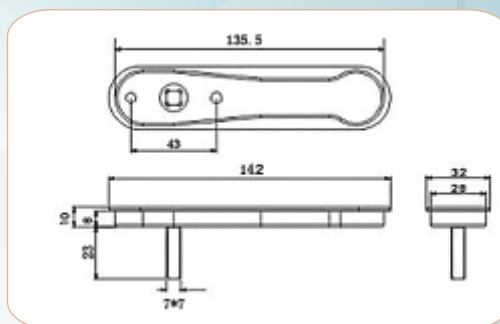
SL 52

Sliding Touch Lock



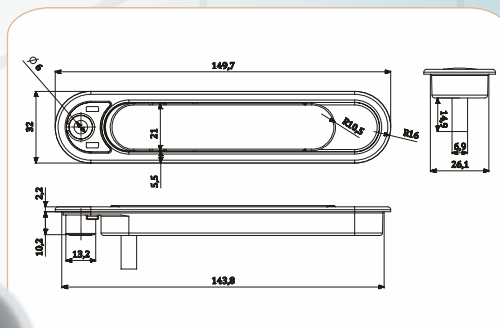
SL 32

Pop up handle



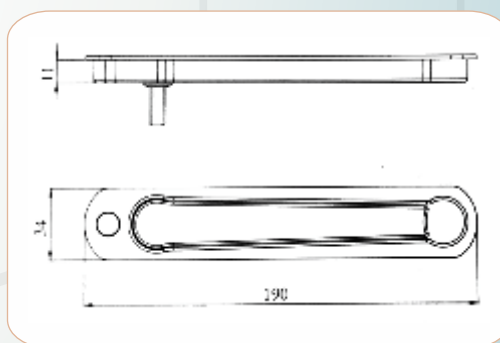
SL 48

Pop up handle



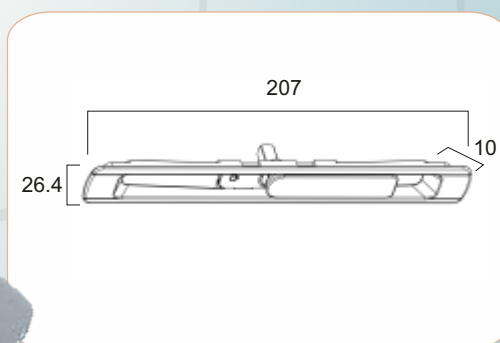
SL 43

Pop up handle (Big)



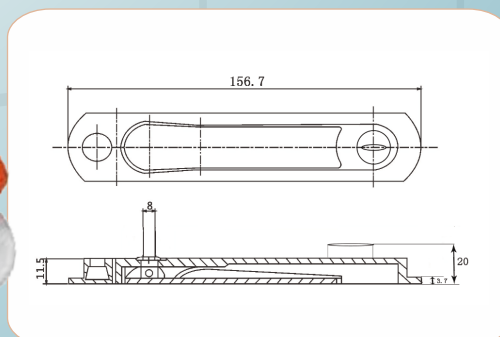
SL 49

Concealed handle



SL 49

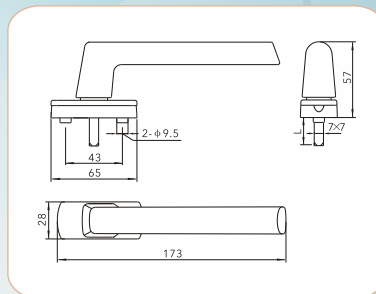
Pop up handle with key



Sliding Series

SL 45

Sliding Long Door Handle

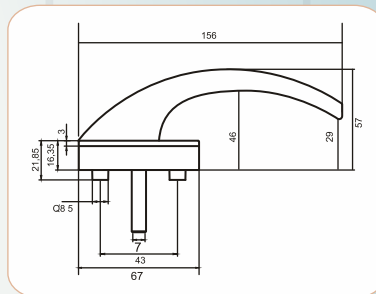


SLP 01

Sliding Euro Door Handle

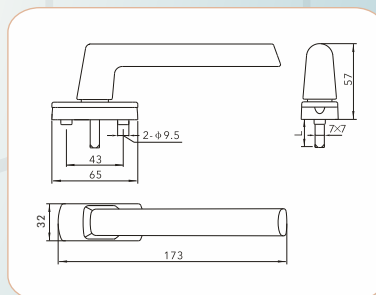


SLP 01K
With Key



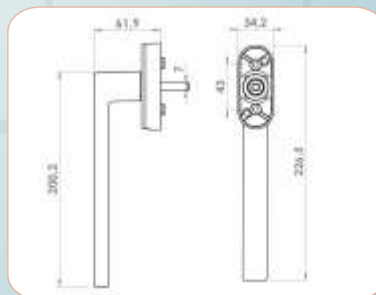
SL 54

Sliding Door Handle



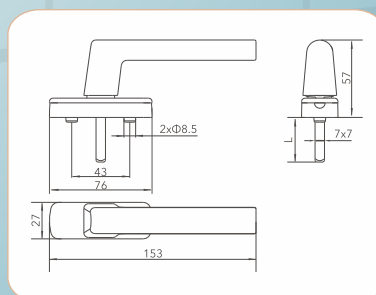
SL 91

Sliding Long Door Handle



SL 92

Sliding Door Handle



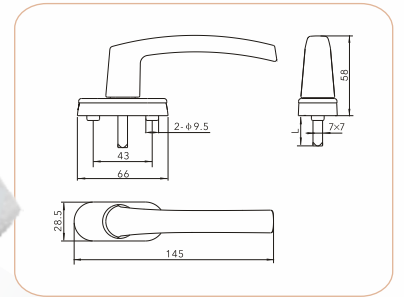
Sliding Premium Handles

Sliding Series

SL 34MF
Transmission Handle



Key Option
SL 34MK



SL 36I
Crescent Lock



SL 36S
Crescent Lock (small)



DS 11
Bump Stopper
DSI I: Aluminium
DSII PVC: PVC



DS 12
Bump Stopper



DS 13
Bump Stopper



DS 14
Bump Stopper



SL 44
Mesh Handle

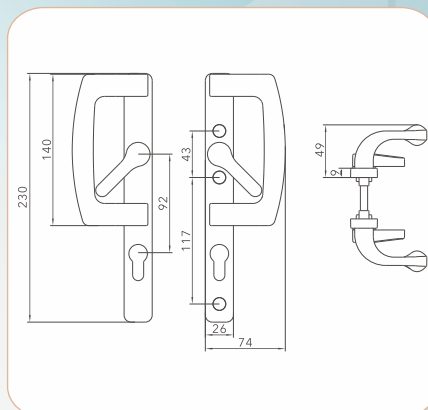


SL 51
D Mesh Handle



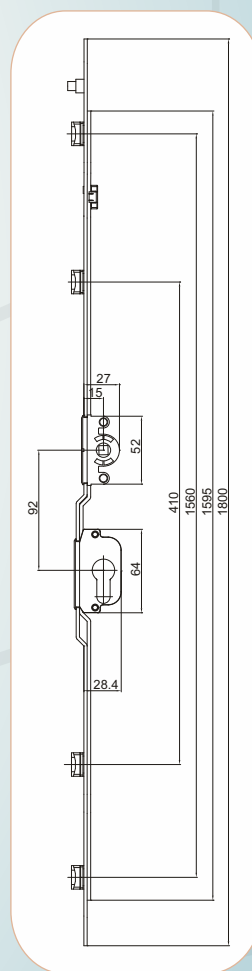
SL 33

Sliding Lockable
Patio Handle on
both sides



SL 33D

Sliding Patio Handle
with dummy handle



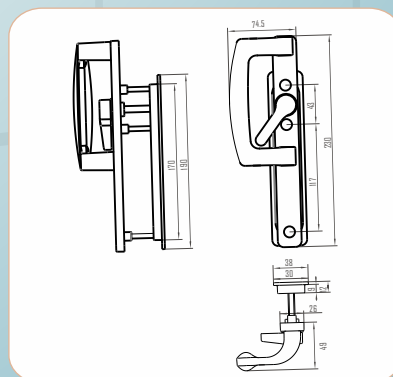
SL 33RD

Sliding Non-lockable
Patio Handle with
dummy handle



SDGPH

Sliding Door Gear
for Patio Handle

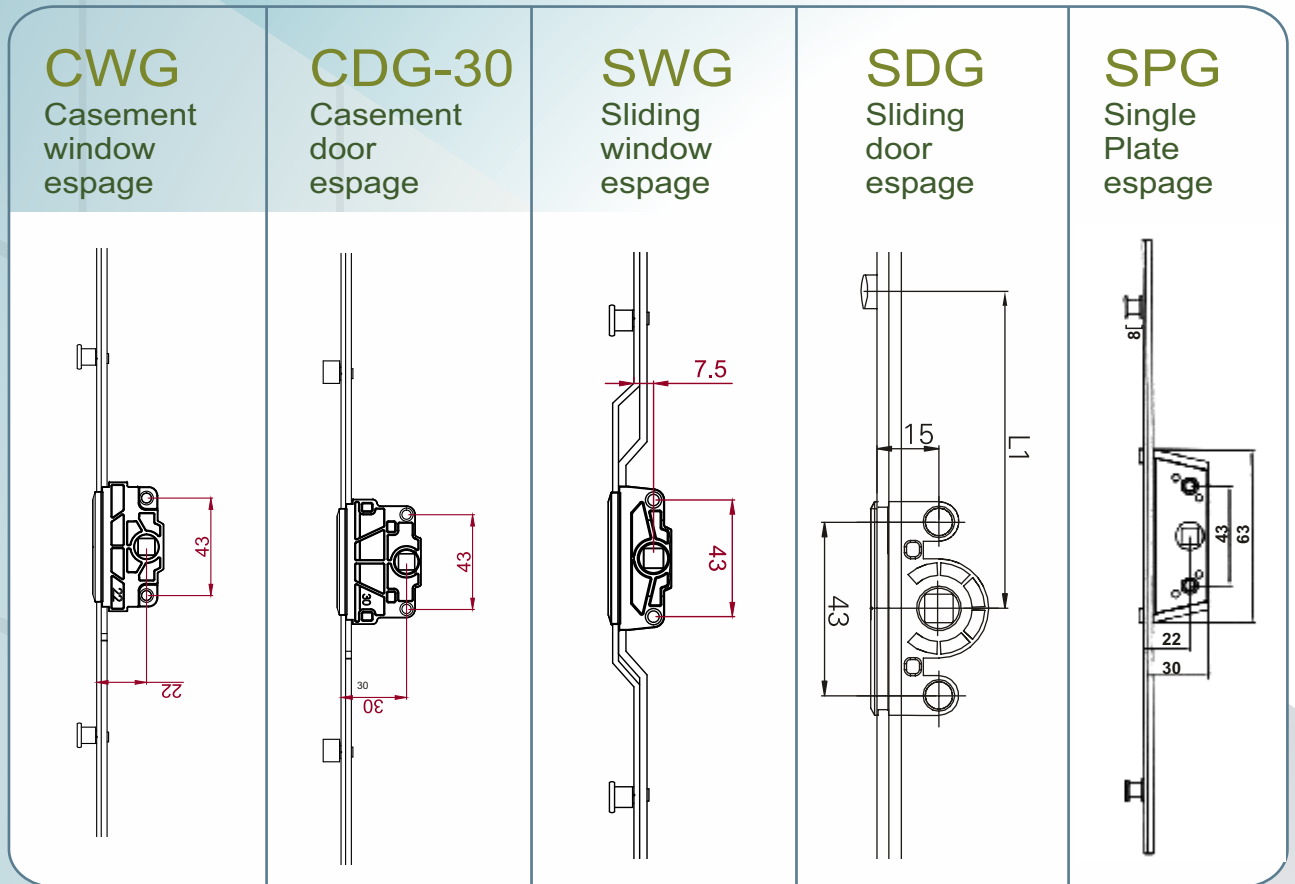


SL 33R

Sliding Non-lockable
Patio Handle with
recessed plate



Sliding Patio Series



Length	7.5mm Backset	15mm Backset	22/20mm Backset	30mm Backset	Locking Point
400-1000	✓	X	✓	X	2
1200-1400	✓	✓	✓	X	3
1600-2200	✓	✓	✓	✓	4

COMPOSITION

- 🔑 Carbon steel & SUS 304 grade espages available.
- 🔑 Minimum 480 hours of Salt & Spray test.

Espage Striker



Parallel Stay



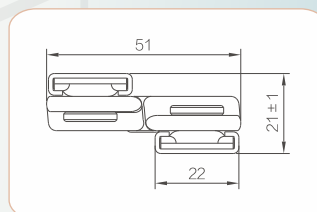
Single X
Parallel Stay 18"

APPLICATION

- Used for parallel opening of windows
 - Available in 18" & 24"
- Ideally suitable for facade, hospitals and schools
Provides opening with security

COMPOSITION

- SS304 grade



Double XX
Parallel Stay 24"

Mechanical Joints

MJ 01



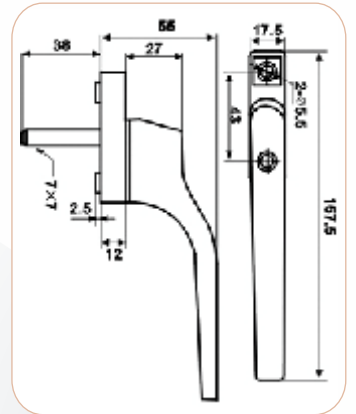
MJ 02



Window Handles

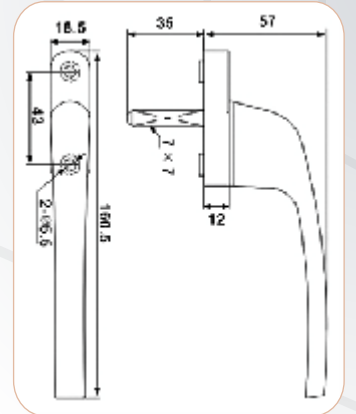
HD 33

Casement Window Handle



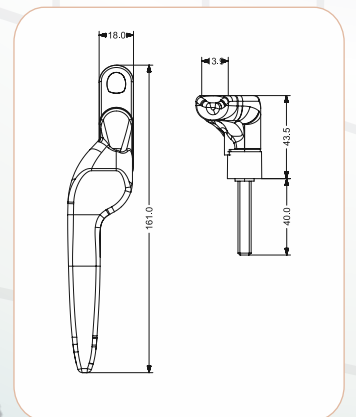
HD 37

Casement Window Handle



HD 43

Casement Crank Window Handle (left/right)

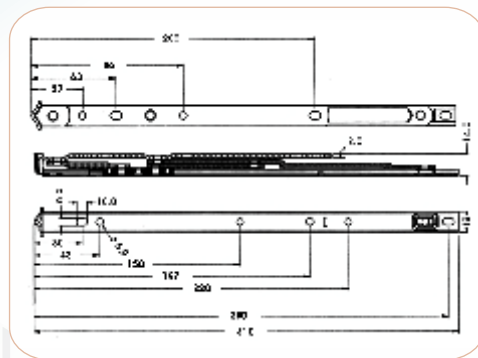


APPLICATION

- Used for casement window for multi point locking
- Suitable for large & medium size windows
- Length of the spindle can be customized based on the profile

COMPOSITION

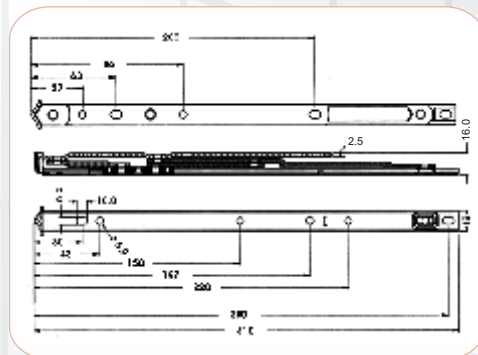
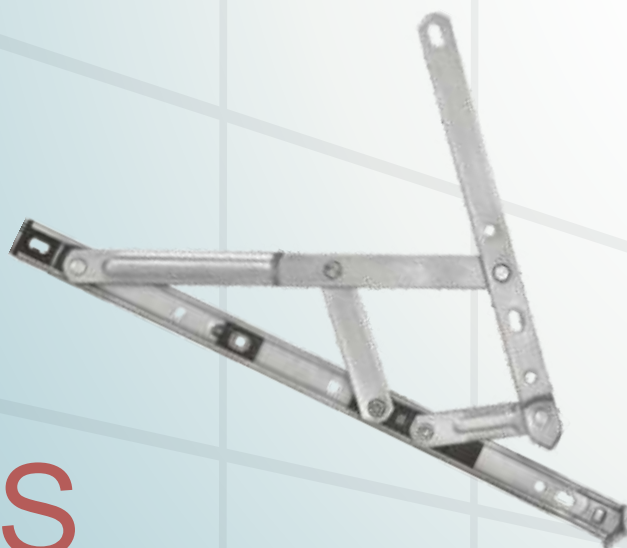
- Hd33, HD37 : Aluminium
- HD43 : Zinc



FS

Stainless Steel Friction Stay (Bar Thickness: 2mm)

Product Code	Hinge Size (in/mm)	Stack Height (mm)	Side Hung		Top Hung		Load Capacity (kgs)	Opening Angle (+/- 2.5°)
			Max shutter width (mm)	Max shutter height (mm)	Max shutter width (mm)	Max shutter height (mm)		
FS 08 A	08/205	13.5	450	900	900	450	8	87.5
FS 10 A	10/255	13.5	500	850	850	500	10	87.5
FS 12 A	12/310	13.5	550	1200	1200	550	12	87.5
FS 14 A	14/355	13.5	650	1200	1200	650	15	87.5
FS 16 A	16/405	13.5	650	1350	1350	650	17	87.5

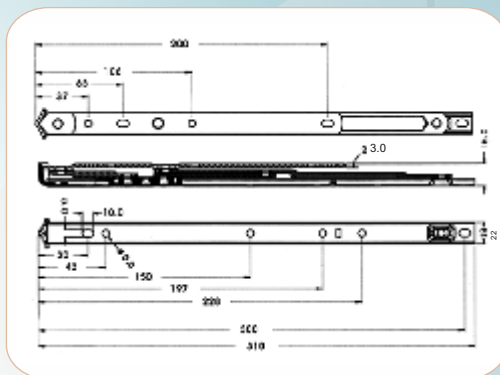


FS

Stainless Steel Friction Stay (Bar Thickness: 2.5mm)

Product Code	Hinge Size (in/mm)	Stack Height (mm)	Side Hung		Top Hung		Load Capacity (kgs)	Opening Angle (+/- 2.5°)
			Max shutter width (mm)	Max shutter height (mm)	Max shutter width (mm)	Max shutter height (mm)		
FS 10 B	10/255	16	500	1100	1100	500	12	87.5
FS 12 B	12/310	16	575	1200	1200	575	16	87.5
FS 14 B	14/355	16	650	1350	1350	650	19	87.5
FS 16 B	16/405	16	700	1500	1500	700	21	87.5
FS 18 B	18/455	16	750	1600	1600	750	23	87.5

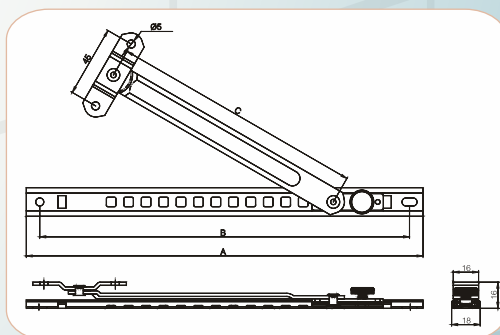
Stainless Steel Friction Stay (Heavy Duty)



Product Code	Hinge Size (in/mm)	Stack Height (mm)	Side Hung		Top Hung		Load Capacity (kgs)	Opening Angle (+/- 2.5°)
			Max shutter width (mm)	Max shutter height (mm)	Max shutter width (mm)	Max shutter height (mm)		
FS 10 C	10/255	16	600	1200	1200	600	22	87.5
FS 12 C	12/310	16	650	1300	1300	650	30	87.5
FS 14 C	14/355	16	700	1400	1400	700	34	87.5
FS 16 C	16/405	16	750	1500	1500	750	40	87.5
FS 20 C	20/505	16	NA	NA	1500	1500	80	30
FS 24 C	24/555	16	NA	NA	1500	1700	100	30

RA

Stainless Steel Restrictor Arm



CS 01

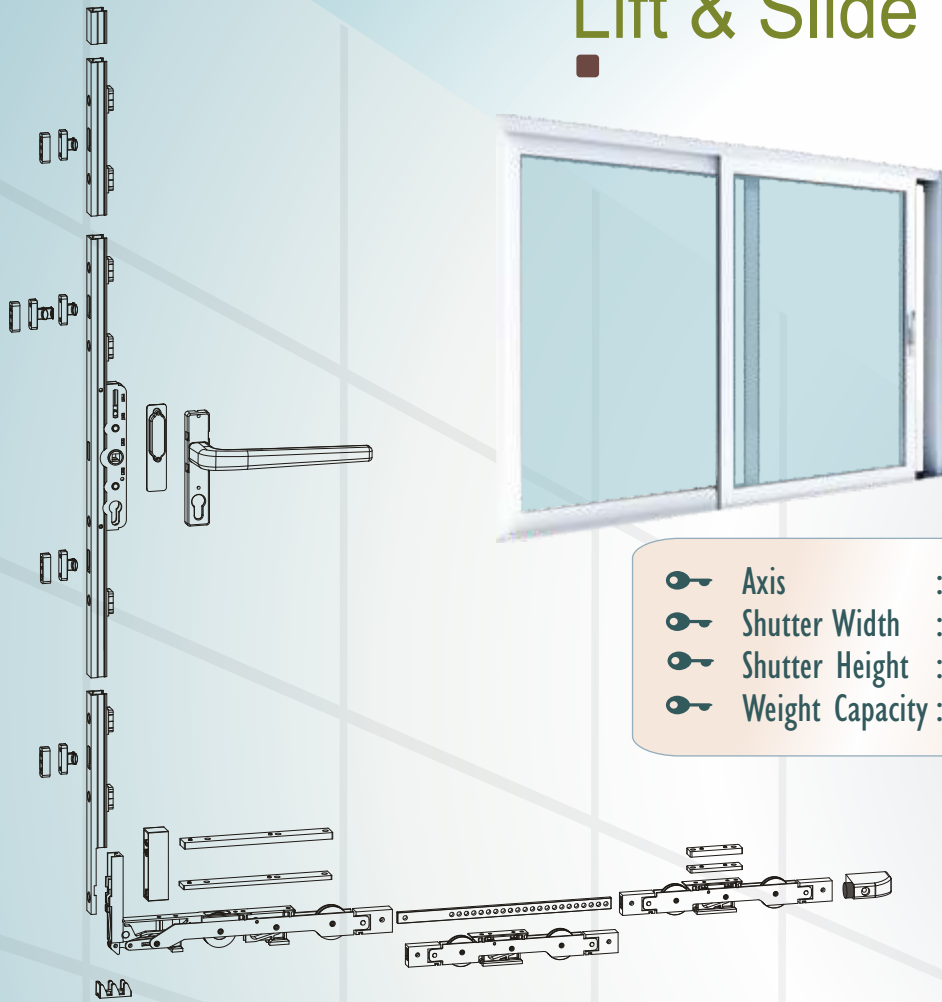
Stainless Steel Concealed Stay (9/13mm axis) (weight capacity: 80kgs)



Friction Stays

Lift & Slide System

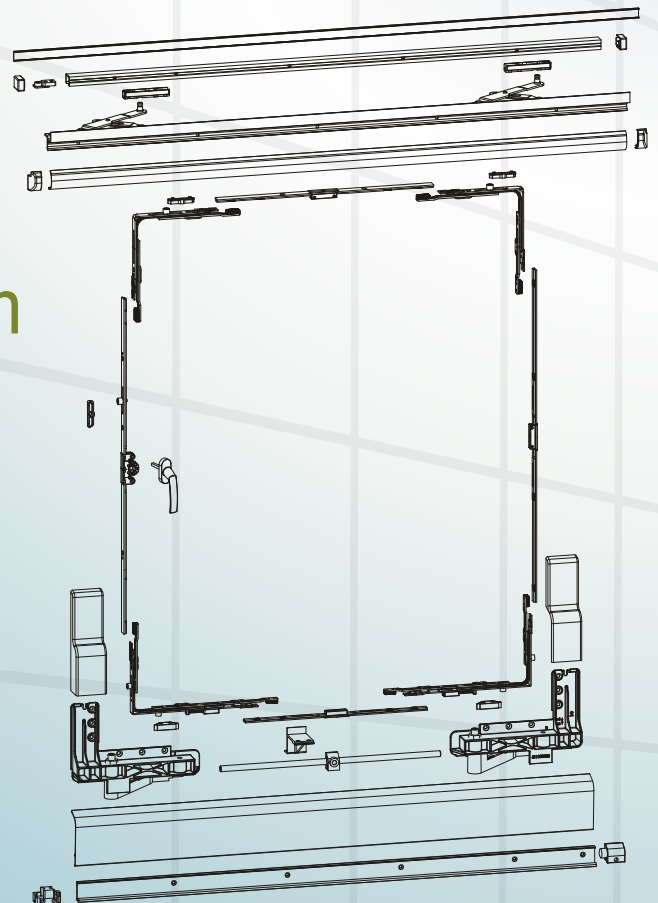
System Solutions



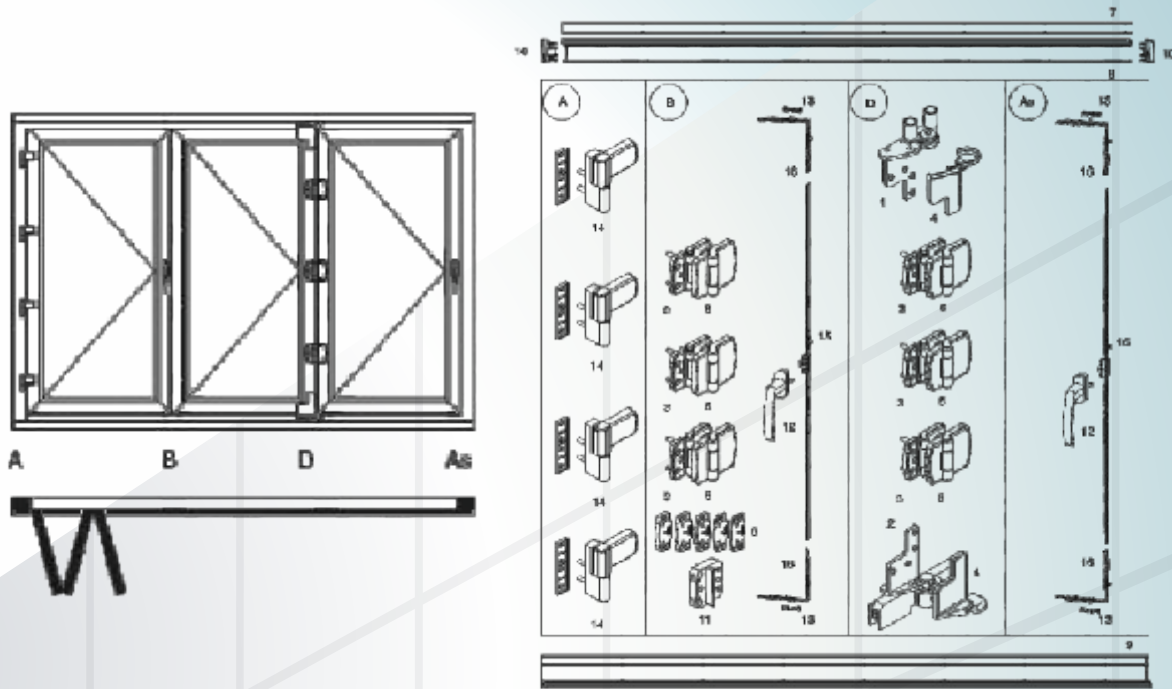
- Axis : 37.5 mm
- Shutter Width : 900mm-2200mm
- Shutter Height : 2100mm-3200mm
- Weight Capacity : Upto 400kgs

Tilt & Slide System

- Type : Semi-automatic
- Axis : 13mm
- Shutter Width : 885mm-1300mm
- Shutter Height : 1985mm-2400mm
- Weight Capacity : Upto 130kgs



Sliding & Folding System



3 Left Opening System					
1	Folding Door Upper Carrier	1 Pieces	9	Folding Door Bottom Running Rail	Width Of Frame (m)
2	Folding Door Bottom Carrier	1 Pieces	10	Folding Door End Cover Cap For Upper Guiding Rail	2 Pieces
3	Folding Door Middle Hinge	6 Pieces	11	Folding Door Assembly Aparatus Of Middle Hinge	1 Pieces
4	Folding Door Carrier Cover Caps	1 Set	12	Window Handle	2 Pieces
5	Folding Door Middle Hinge Cover Caps	6 Set	13	Tilt And Turn Security Bottom Striker	4 Pieces
6	Folding Door Middle Hinge Block Set	6 Set	14	2D Adjustable Hinge	4 Pieces
7	Folding Door Screw Cover Profile (PVC)	Width Of Frame (m)	15	Tilt And Turn 15 Axis Espagnolette	2 Pieces
8	Folding Door Upper Guiding Rail	Width Of Frame (m)	16	Tilt And Turn Corner	4 Pieces

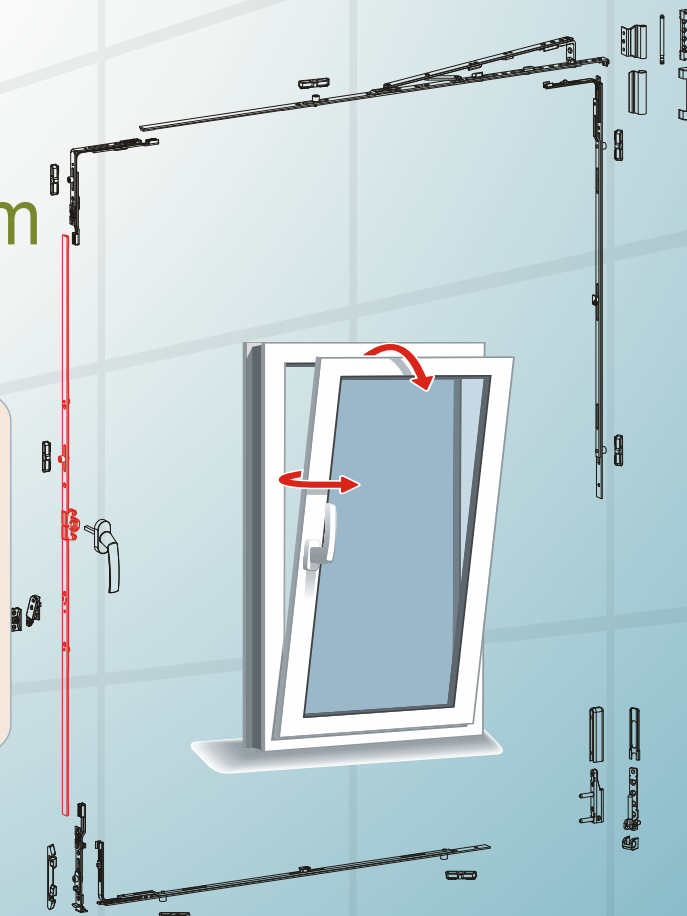
Tilt & Turn System

APPLICATION

- Used for casement windows
- Provides the option of openable side hung & top hung

SHUTTER DIMENSION

- Height: 600-1800mm
- Widht: 400-1000mm



Casement Series

HD 45

Sash Jammer



HD 46

Mesh Lock



TB 21

Shoot Bolt (Window)
Size: 4"



TB 22

Shoot Bolt (Door)
Size: 7"



TB 24

Shoot Bolt (Door)
Sizes: 10" & 16"



TB 26

Shoot Bolt (Door)
Sizes: 4" & 7"



TB 23

Extension Arm
(1800-2200mm)



TL 01

Toilet Louver



Blades	Lenght (mm)
3	290
4	280
5	470
6	560



French Door & Window Striker



CWK 03



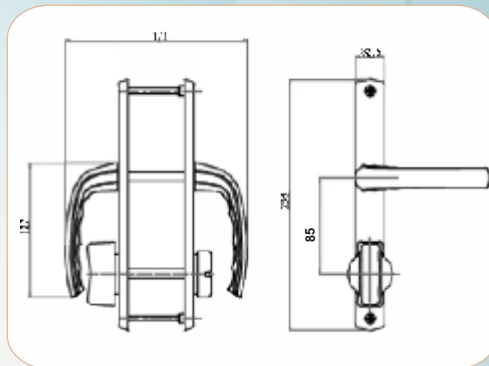
CWK 05



CWK 06

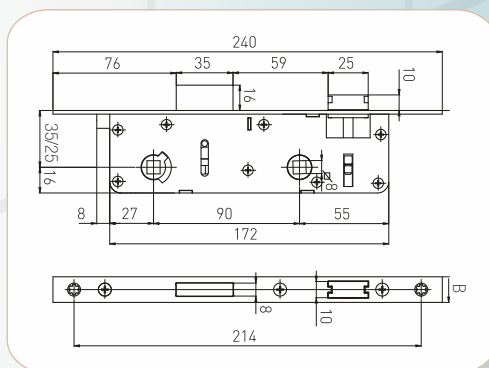
HD 24

Bathroom Handle
(One side Knob)



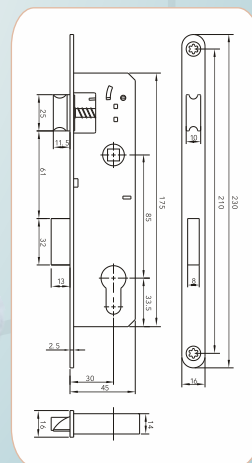
LK 11

Bathroom Lock
(90*35)
(90*25)



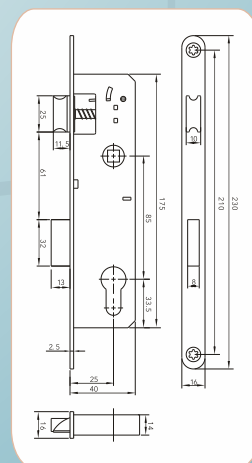
HD 26+LK 12

Single Point Mortise
Lock Handle set
(For door sash)
(85*30)



HD 26+LK 13

Single Point Mortise
Lock Handle set
(For window sash)
(85*25)

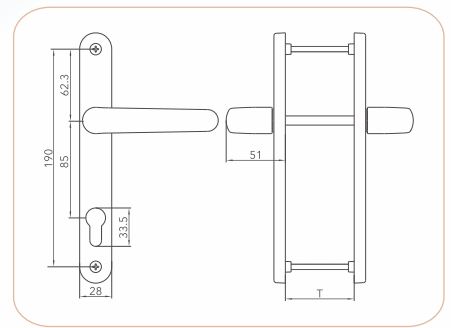


Casement Door Series

Casement Door Series

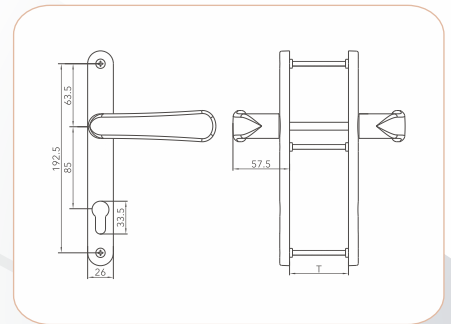
HD 22T

Casement Door Handle



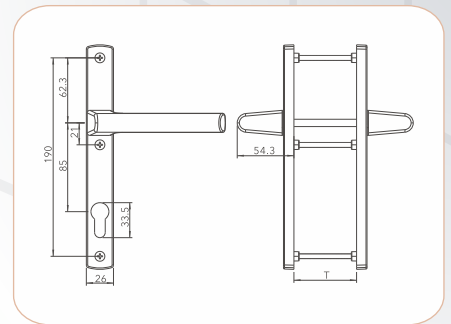
HD 22P

Casement Door Handle



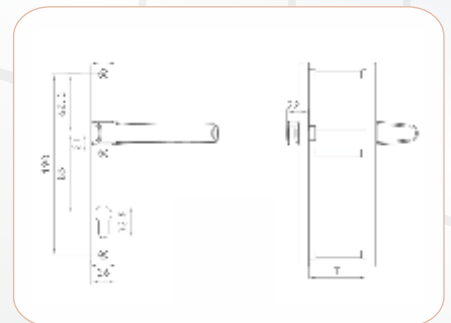
HD 22AS

Casement Door Handle



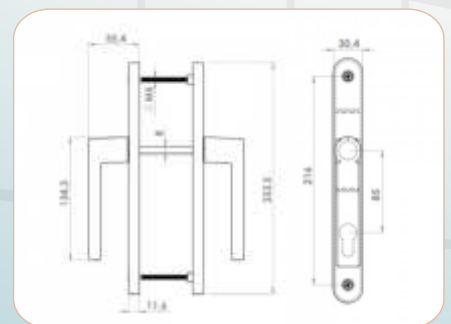
HD 22SN

Casement Shortneck Door Handle
(for door twin sash)



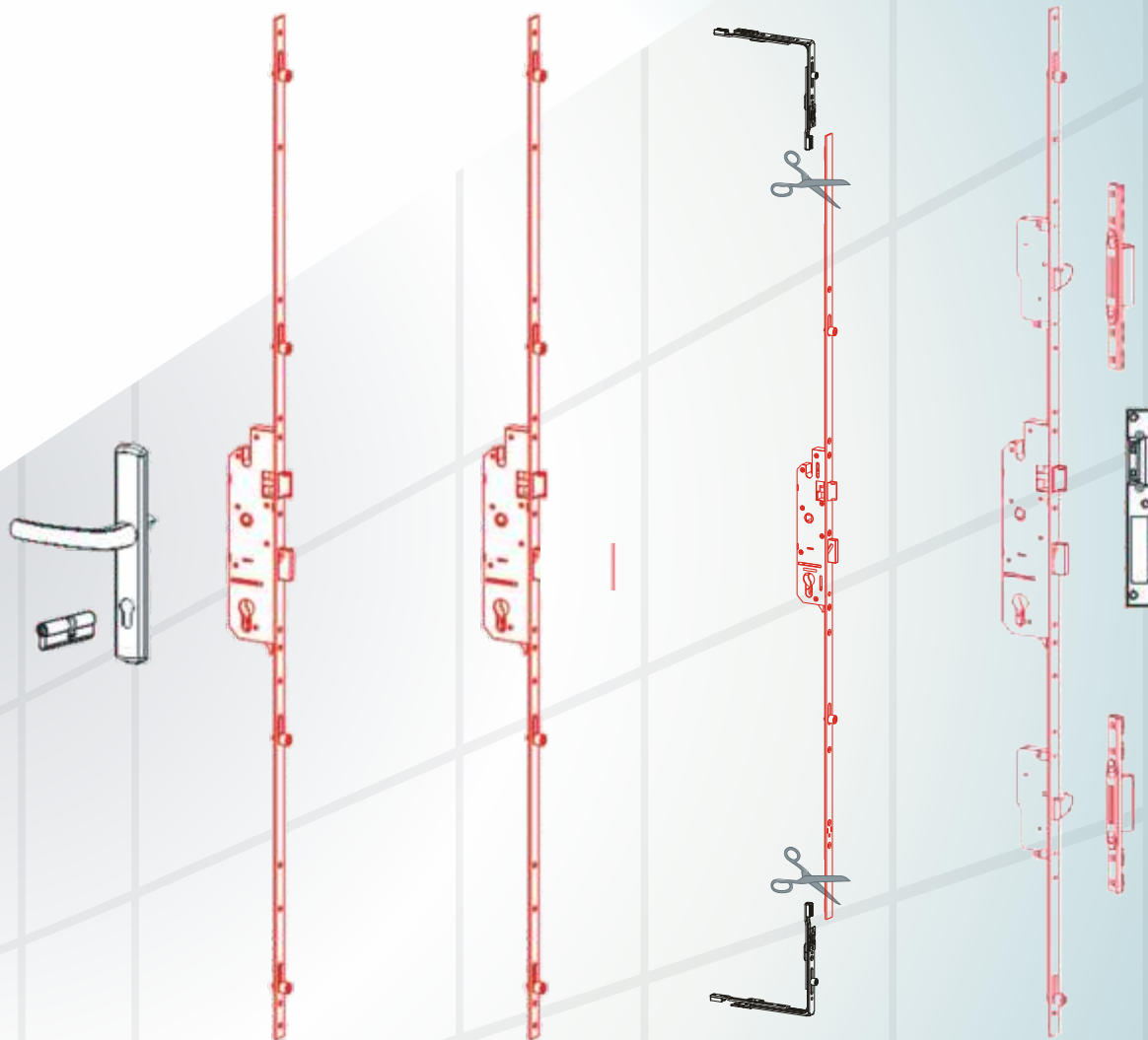
HD 29

Casement Door Handle



CDG

Casement Door Espage Series



CDG ++
with Deadbolt

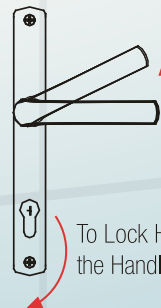
CDG -
without Deadbolt

CDG - EXT
Cuttable with
corner transmission

CDG - HKB
with hookbolt
locking point

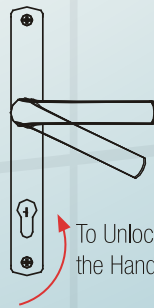
Handle Operated Working

Locked

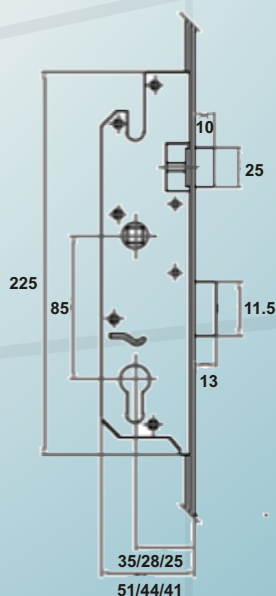


To Lock Hold
the Handle Up

Unlocked

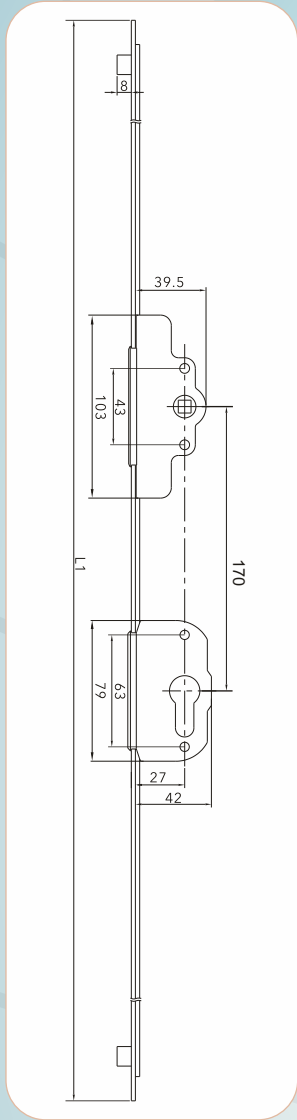


To Unlock Hold
the Handle Down



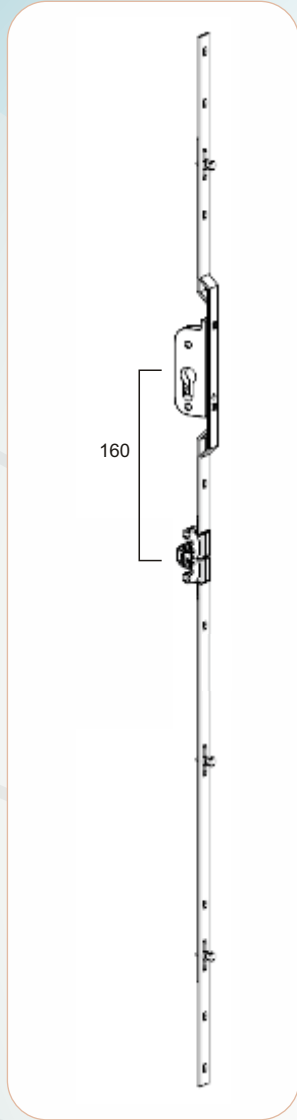
Casement Door Series

Eco Door Series



CDGS

Casement Espage



SDGS

Sliding Espage

HD 36C

Both Side Handle



HD 36D

Both Side Handle

One Side Knob



CY

Cylinder With Ultra Keys

Product Code	Size	Both Side Key	One Side Knob	Half Cylinder
CY 60	60mm	✓	✓	✓
CY 70	70mm	✓	✓	✓
CY 80	80mm	✓	✓	✓
CY 85	85mm	✓	✓	✓
CY 90	90mm	✓	✓	✓

FINISH

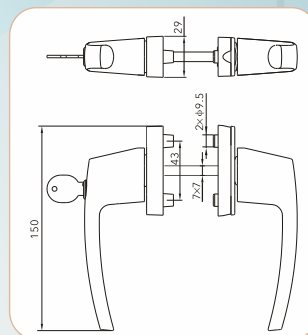
Available in brass polish, stainless steel & Antiques finish.

COMPOSITION

Brass

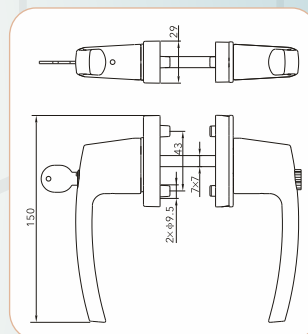
HD 36

Both Side Handle
(One Side Key)



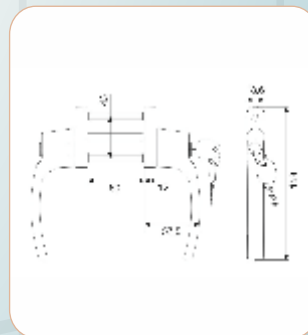
HD 36B

Both Side Handle
(One Side Key
One Side Knob)



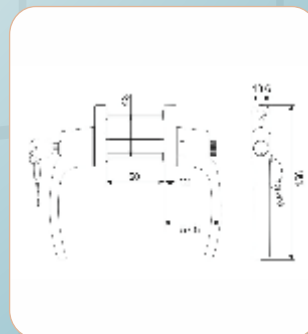
HD 41

Both Side Handle
(One Side Key)
(For window sash)



HD 41B

Both Side Handle
(One Side Key
One Side Knob)
(For window sash)

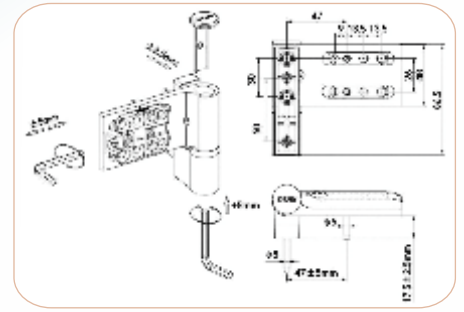


Door Handles

Door Hinges

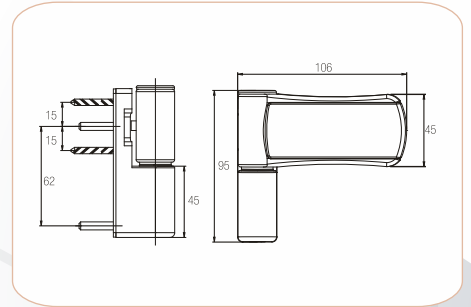
BH 12 (120)

3 D Hinge
Weight Capacity : 120kgs



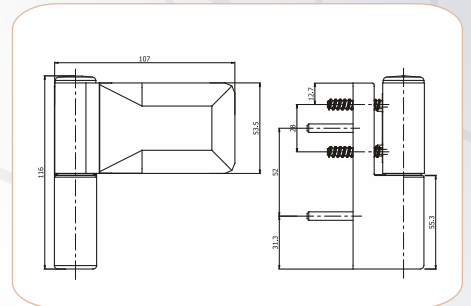
BH 12 (90)

3 D Hinge
Weight Capacity : 120kgs



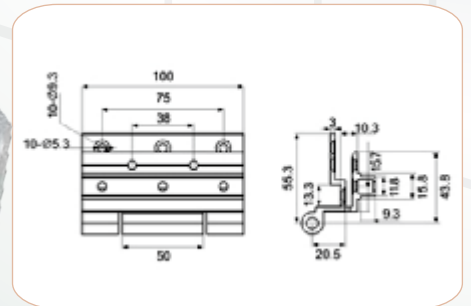
BH 12 (160)

3 D Hinge
Weight Capacity : 160kgs



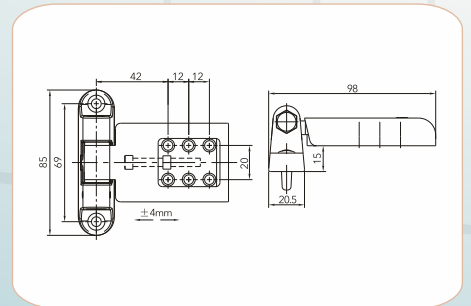
BH 18

Concealed
Door Hinge
Weight Capacity : 120kgs



BH 15

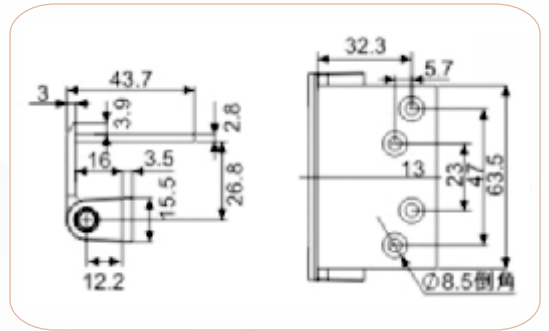
2D Hinge
Weight Capacity : 80kgs



Hinges

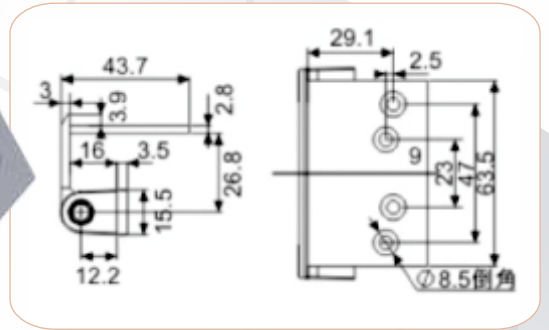
BH 16

Window Hinge
(13mm axis)



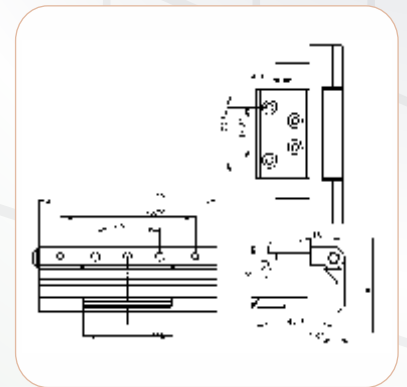
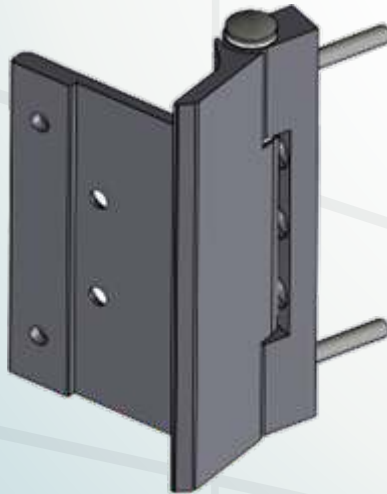
BH 23

Window Hinge
(9mm axis)



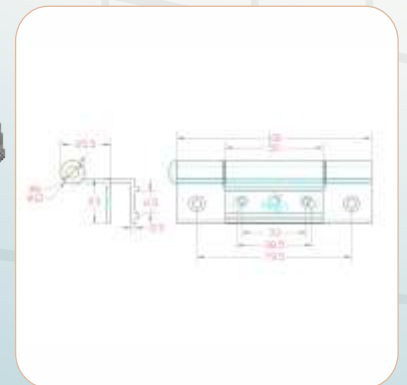
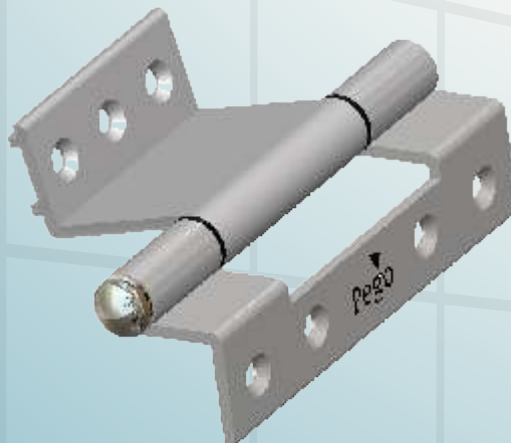
BH 19

Window Hinge



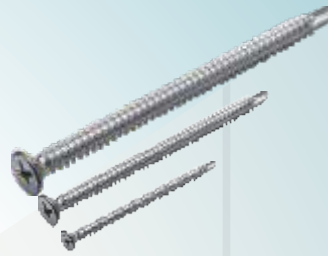
BH 22

Mesh Shutter
Hinge





Anchor Fastener
8x80 & 8x100



Self Drilling Screws



Wool Pile
5x6, 6x6 & 6.8x6, 6x7



Mesh Rollon



U Packer
2mm, 3mm & 5mm



Glass Packer
2mm, 3mm & 5mm



SF Stopper



Sliding Stopper



Casement Wedge



Sash Stopper



Fastener Cap



Drainage Cap



Anti Lift



L Anitlift (Male/Female)

Miscellaneous

Head Office & Application Centre:

Pego Hardware

Plot No. 28/1/8, Site IV
Sahibabad Industrial Area
Ghaziabad (U.P.) - 201010 (India)

Regional Office (Delhi)

Pego Hardware

4899, Hauz Qazi,
Delhi - 110006 (India)

Regional Office (Coimbatore)

Pego Hardware

No. 2/227F Erangattu Thottam, Rasiplyam,
Sulur, Coimbatore - 641402 (India)

Ph: 91-11-23213774, 41515035

E-Mail: info@pego.in

www.pego.in

For Sales:

North: +91-8929070621 | West: +91-8929070625 | Andhra & Telangana: +91-8929070624
East: +91-9319623434 | Karnataka: +91-9999697660 | Tamilnadu: +91-9999697736