

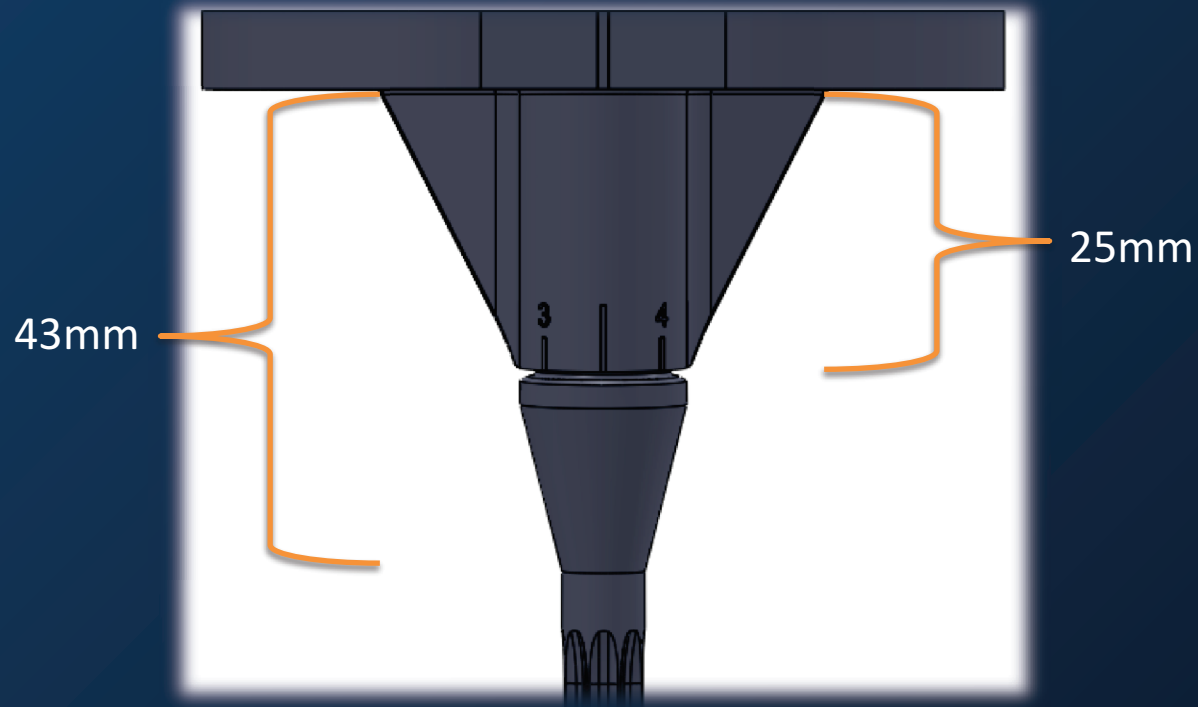
Stemmed Tibial Components



- Same profiles and locking features as standard Freedom base plate
- Global design
 - Sizes/Geometry appropriate for global patient population
 - Tibial stems for smaller patients and particularly complicated anatomy
 - Minimize keel length and stem offset
 - Reversible and stackable augments
- Economical delivery
 - Maximize flexibility AND minimize inventory

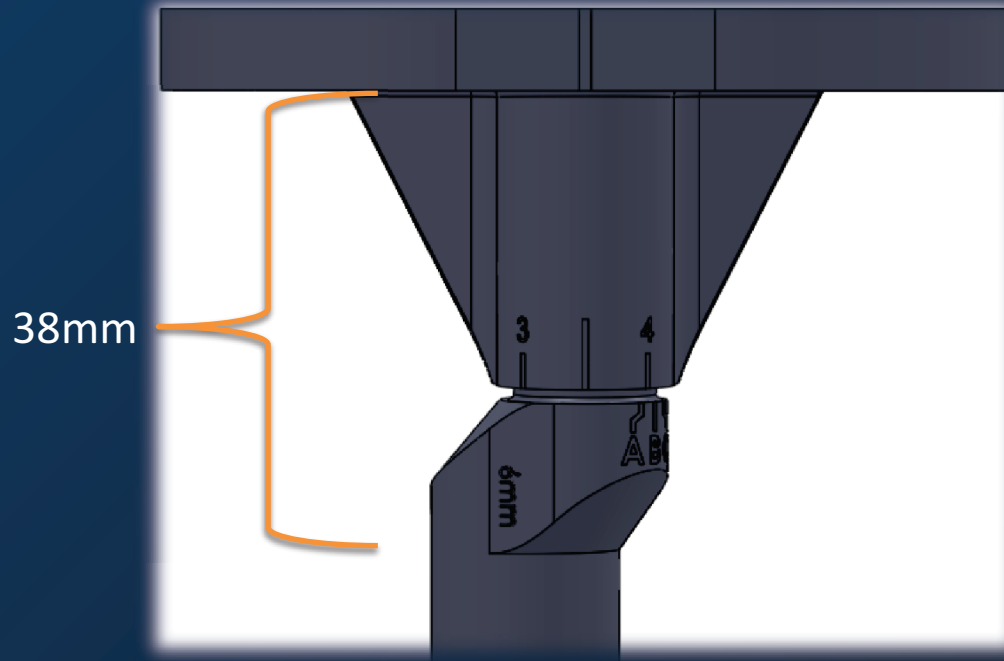
Stemmed Tibial Keel

- Minimal keel length to reduce to stem diameter



Stemmed Tibial Offset

- Offset begin seven more proximally, for optimal alignment and minimal resection



Tibial Augments

- Tibial Augments are reversible and stackable
- Maybe stacked progressively smaller to conform to resected anatomy

