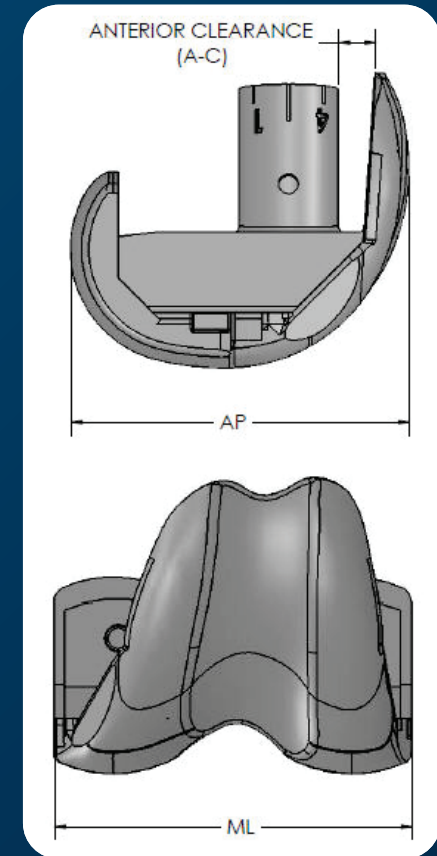
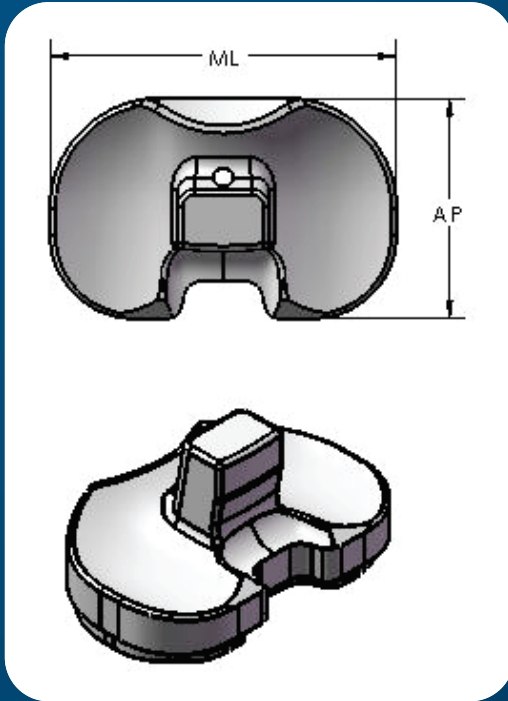


PCK Femoral Component

SIZE	AP	ML	A-C*
A(Le2&Right)	51	54	TBD
B(Le2&Right)	54	58	6.0
C(Le2&Right)	58	62	6.5
D(Le2&Right)	60	64	TBD
E(Le2&Right)	62	66	7.5
F(Le2&Right)	66	70	8.5
G(Le2&Right)	70	74	9.5
H(Le2&Right)	74	78	11.0



PCK Tibial Liner



SIZE	AP	ML	Thickness
A1-2	40	59	11,14,17,20,23,27,31
B1-2	40	59	11,14,17,20,23,27,31
C1-2	40	59	11,14,17,20,23,27,31
C3-4	42	66	11,14,17,20,23,27,31
D1-2	40	59	11,14,17,20,23,27,31
D3-4	42	66	11,14,17,20,23,27,31
E3-4	42	66	11,14,17,20,23,27,31
E5-6	48	71	11,14,17,20,23,27,31
F3-4	42	66	11,14,17,20,23,27,31
F5-6	48	71	11,14,17,20,23,27,31
G5-6	48	71	11,14,17,20,23,27,31
G7-8	52	76	11,14,17,20,23,27,31
H7-8	52	76	11,14,17,20,23,27,31

Femoral Augments

SIZE	DISTAL	POSTERIOR	THICKNESS
B	✓	✓	5
C	✓	✓	5
E	✓	✓	5
F	✓	✓	5
G	✓	✓	5
H	✓	✓	5

