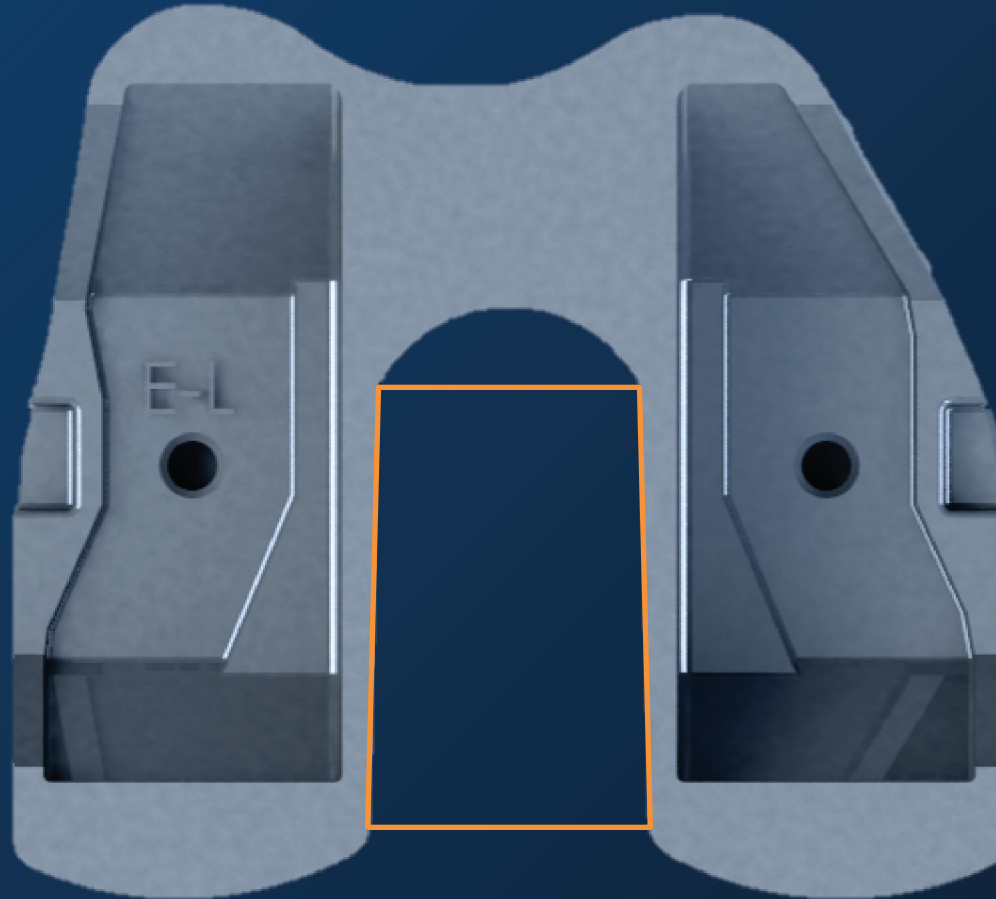


Progressive Constraint Kinematics

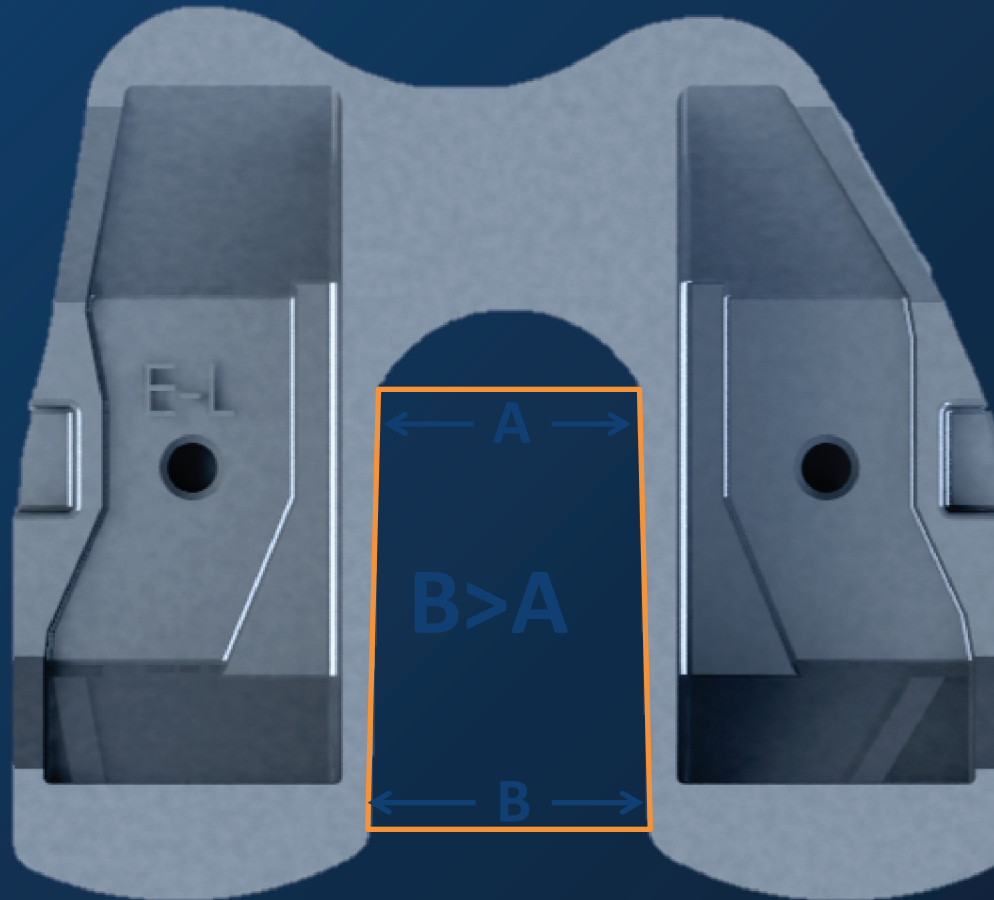
Progressive Constraint Kinematics

- Other constrained revision systems provide a constant level of constraint throughout the range of motion
- Freedom PCK provides a varying constraint profile from high constraint in extension to less constraint in flexion

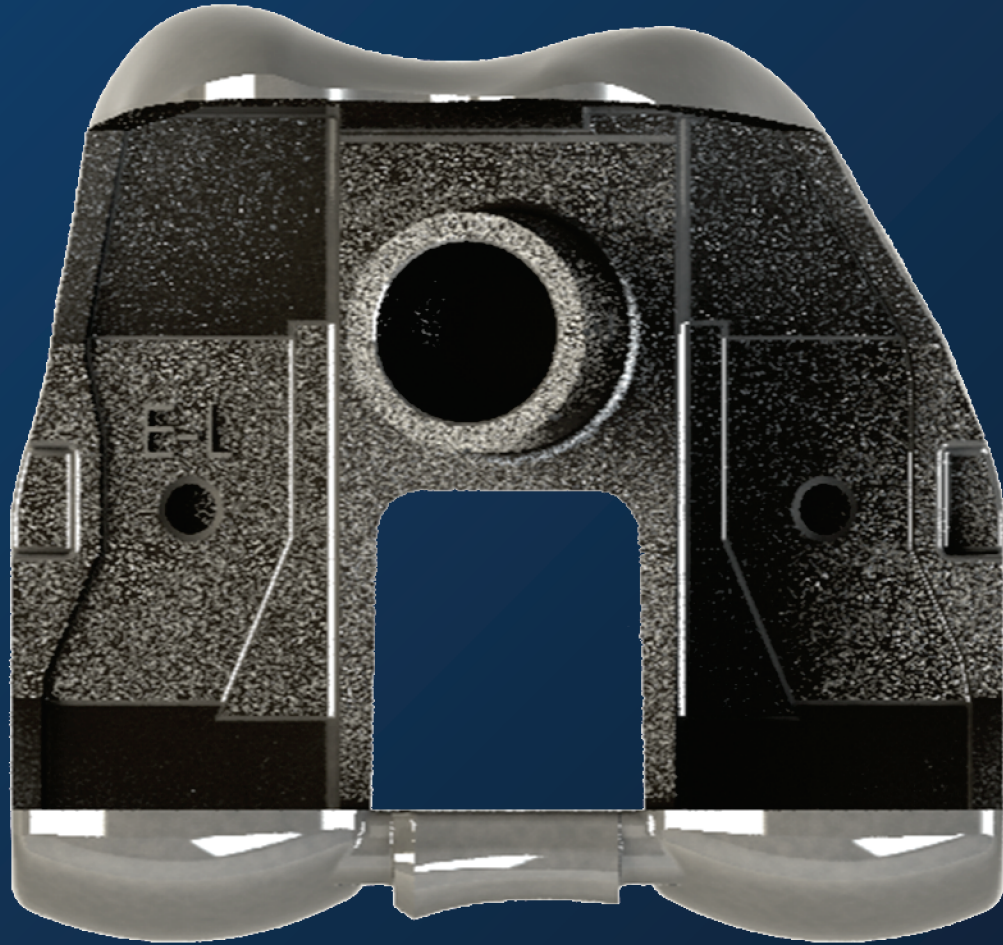
Constraint	DePuy LCS	Stryker Triathlon TS	Zimmer LCCK	Biomet Vanguard SSK	S&N Legion	MaxxOrtho Freedom PCK
Tilt	1.25°	2.00°	1.25°	1.00°	4.00°	1° to 4°
Rotation		7.00°	2.00°	5.00°	6.00°	2° to 7°



Trapezoidal box enables varying degrees of constraint, from extension to deep flexion



A = more constraint in extension
B = slightly less constraint inflexion



FREEDOM[®]



Think Outside the Box[™]