



The MultiAdjustPlus

The MultiAdjustPlus offers everything the MultiAdjust does, just with some additional upgrades.

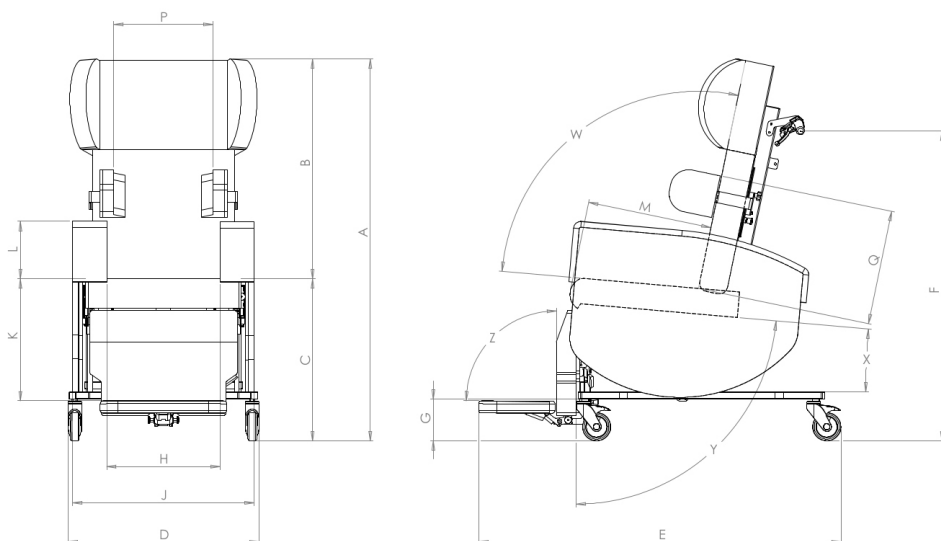


REMTEC

MultiAdjustPlus

The MultiAdjustPlus

The new MultiAdjustPlus is a cost effective, tool-free, highly adjustable seating system that provides postural support and pressure care without compromising the users comfort. The chair benefits from Tilt-in-Space, Back Angle Recline and lower limb support. The MultiAdjustPlus is an ideal choice for the individual user where a specific chair set-up is indicated, due to a range of accessories, integrated WaterCell Technology and aesthetic choice. It can benefit individuals with a wide range of seating needs including those with orthopaedic, cardiovascular and neurological conditions, and those who are semi-ambulant or non-ambulant. The MultiAdjust provides high levels of comfort and the robust construction quality associated with REMTEC



| Basic Dimensions | |
|-----------------------|---------------|
| A: Overall Height | 1350 mm (53") |
| B: Back Height | 830 mm (32") |
| C: Seat Height | 540 mm (21") |
| D: Castor Frame Width | 675 mm (26") |
| E: Overall Length | 1285 mm (50") |
| F: Push Bar Height | 1125 mm (44") |
| G: Clearance Height | 145 mm (6") |
| Maximum User Weight | 160kg |
| Chair Weight | 70kg |

Adjustments

| | |
|------------------------------------------|--------------------------------------------------------------------------------------------------------------------------------------------------------------------------|
| H: Seat Width (inner) | 400 mm (16") to 550 mm (21") (150 mm range - 2 cushion sizes) |
| J: Max Width (outer) | 790 mm (31") |
| K: Seat Base to Footplate Height | 350 mm (14") to 500 mm (20") (150 mm range) |
| L: Arm Rest Height | 200 mm (8") to 250 mm (10") (50 mm range) |
| M: Seat Depth | 380 mm (15") to 530 mm (20") (150 mm range)" |
| P: Lateral Width (Laterals are Optional) | Narrow: 230 mm (9") to 360 mm (14") (130 mm range) Regular: 315 mm (12") to 435 mm (17") (120 mm range) Wide: 445 mm (18") to 575 mm (23") (130 mm range) |
| Q: Lateral Height | 320 mm (12") to 520 mm (20") (200 mm range) |
| W: Back Angle Recline (BAR) | 95° to 135° (40° range) |
| X: Tilt-in-Space (TIS) | Factory Setting 1: 0° to 35° (35° range) Optional Setting 2: -5° to 30° (35° range) |
| Y: Leg Rest Angle | Factory Setting 1: 65° to 135° (70° range) Optional Setting 2: 72° to 142° (70° range) |
| Z: Footplate Angle | 4 Positions - 75° / 90° / 105° / 120° |

(All measurements ±10mm / 5°)

STANDARD FEATURES

- Tilt-in-Space
- Back Angle Recline
- Elevating Leg Rest
- Flip Up & Angle Adjustable Footplate
- Integral Seat Depth Adjustment
- Integral Seat Width Adjustment
- Integral Arm Height Adjustment
- Removable Arms
- Watercell Technology Cushion
- Waterfall or Contoured Back
- 4 Braked Castors
- Choice of Colour Upholstery from our Simply Colours Range with Black or Grey Vapour Permeable Material to Contact Areas

