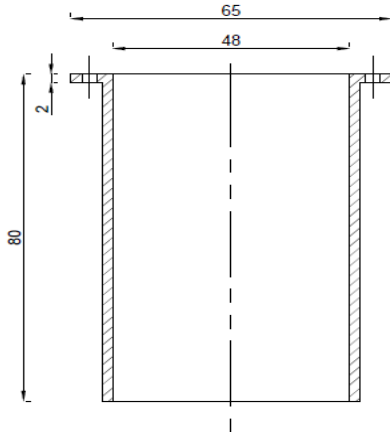


Hennon Flexible Linear Series Dimensions:



Product Image / Reference



Product Specs:

| | | | |
|-------------------|-----------------------------|----------------------------|--------------------------------------|
| Operating Voltage | 12V or 24V DC | Housing | 316 grade, 1.2mm thickness S/Steel |
| IP Rating | IP68, totally encapsulated. | LED Brand | OSRAM LED |
| Color Temperature | 2600K, 3000K, 4200K, 5000K | Dimmable | Yes (external dimming gear required) |
| Lumen | 28(lm) | Impact Resistance | IK10 |
| Power Consumption | 1.4W | Avg Lumen Maint. @ Ta 25°C | 70% @ 50,000 Hrs |

Product Dimensions:

| Cat. No. | Width | Height | Length |
|-------------------------|----------|--------|--------|
| SD-50 | 47mm DIA | 50mm | - |
| Stainless steel housing | 65mm | 75mm | - |

Product Description;

- Flush mounted in ground lighting fixture totally encapsulated with stainless steel 316 housing, 1.2mm thickness,
- Optional surface finishing, clear/frosted/any desired colors according to color code.
- External driver (to be ordered separately according to project needs.
- Completely homogenous light distribution, LED – DOT FREE diffuser
- Delivery with 0,5-meter cable
- Smooth light distribution with no visible LED dots
- Indoor and outdoor applications,
- suitable for linear effect lighting, orientation lighting in public areas, sidewalks, guidance walk, drive way, parking lots and any landscape applications,
- suitable for water features, fountains, swimming pools and underwater applications,
- soft surface for impact resistance applicable for children playground or sports areas to avoid injuries.

Warranty:

This product has a guarantee period of 1 Year. Warranties may be available on certain products as indicated in the product description. Warranties are valid from the date of purchase. The warranty is invalid in the case of improper use, installation, tampering, removal of the Q.C. date label or installation in an improper working environment or installation. Should this product fail during the warranty period it will be replaced free of charge, subject to the correct installation of the original product and subsequent return of the faulty unit. Aurora does not accept responsibility for any installation costs associated with the replacement of this product and Aurora reserves the right to alter specifications without prior notice.

Malaysia Sales & Factory

No.172-G & 172-1, Jalan LP 7/4, Taman Lestari Perdana, Bandar Putra Permai 43300, Seri Kembangan, Selangor,
 Tel : +60 38082 6537
 Mobile : +60 17 653 7329
 E-mail : lldslighting@gmail.com
www.lldslighting.com