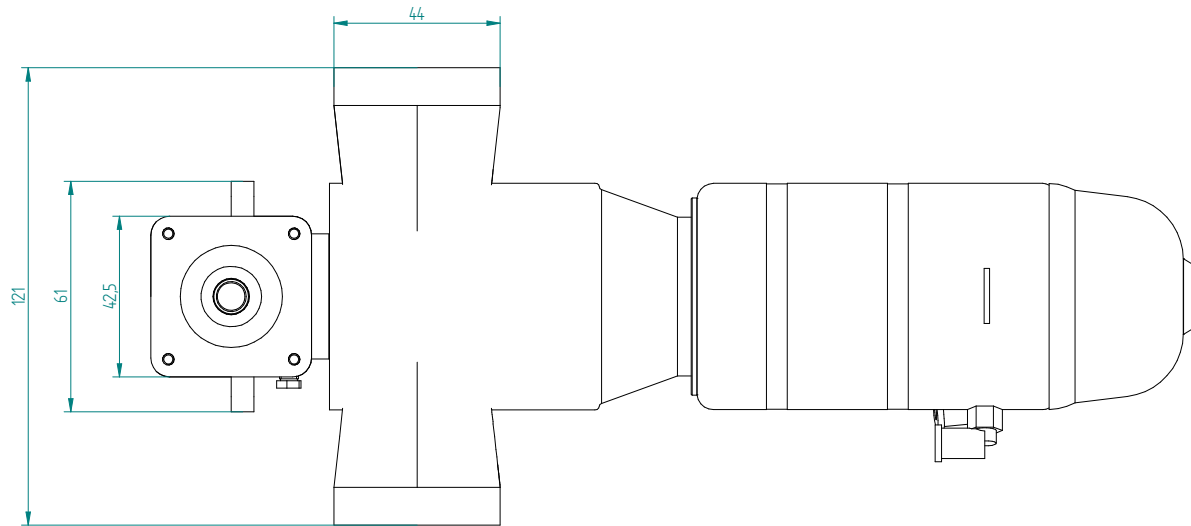
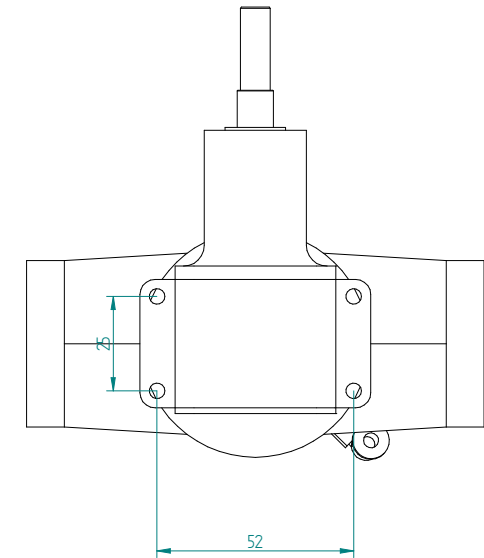
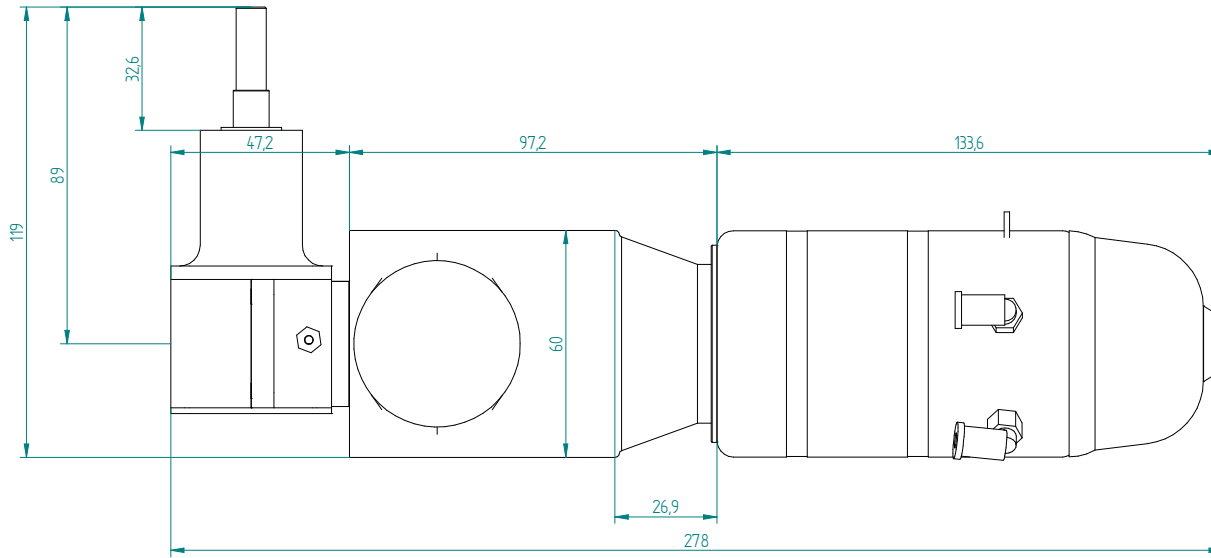


REVISION HISTORY			
REV	DESCRIPTION	DATE	APPROVED



DRAWN	NAME	DATE	XICOY TURBINES TITLE X45 Heli	
CHECKED	Gaspar	07/07/19		
ENG APPR				
MGR APPR				
UNLESS OTHERWISE SPECIFIED DIMENSIONS ARE IN MILLIMETERS ANGLES ±XX° 2 PL ±XXX 3 PL ±XXXX			SIZE A2	DWG NO
			FILE NAME: 45HeliGearbox.dft	REV
			SCALE:	WEIGHT:
			SHEET 15 OF 15	