

THOUSANDS OF YEARS OF
HISTORY ON YOUR WRIST



A R I N I S

ELKA WATCH Co

INDEX

ARINIS
WATCHES
FEATURES

BEHIND THE NAME
CIVILISATIONS
CELTS

ROMANS / AVENTICUM
CERAMIC
PALAFITTES

ARINIS
HAKIM
About ELKA

Elka

ARINIS

Elka Watch Co. Debuts New Diver's Watch

Following the successful launch of their first watch line, inspired by the rich past and history of the now-defunct Elka Watch Cy from Amsterdam, the brand is back with a new timepiece. This model stays true to the codes of the young brand and takes the form of a stylish diver's watch. This watch boasts the same dimensions, chevé-box sapphire crystal, lugs shape, and emblematic side edge line as the original series. The watch is adorned with a ceramic ring bezel and superluminova numerals, and is water-resistant to 20 bar (200m). The watch is named after the ancient name of the village of Saint-Blaise, which dates back to the first millennium. This name was chosen for many reasons: the village's location on the shores of Switzerland's Lake Neuchâtel and the region's rich history, which includes the Celts and the Palafittes civilizations. These ancient people built dwellings on the lake's poles to allow for fluctuating water levels. The watch's design is inspired by the region's history, with elements that recall the Celtic wheel found in the lake, the stock of ceramics found at Chemin du Diable in Saint-Blaise, and the lake itself. These elements are reflected in the watch's shape, material used such as the bezel in ceramic.



WWW.ELKAWATCH.CH



Automatic La Joux-Perret
68 Hours Power Reserve
Sapphire Crystal
WR: 20 bar

Elkas
Swiss Made

AF02-1002

THE WATCHES





The Elka ARINIS F takes its inspiration from the first case in the first series, this model features dots and lines to reinterpret the diver's watch as it is in everyone's mind.

This model is available with a blue or black dial and bezel. and with or without date

5 types of straps are available:

- 7-link "grain of rice" bracelet
- Milanese Mesh
- Tropic vulcanised rubber strap
- Nylon Nato
- And even on leather straps for the Urban Diver



Automatic La Joux-Perret
68 Hours Power Reserve
Sapphire Crystal
WR: 20 bar



Elka
Swiss Made

AF01-0901

ELKA ARINIS F



ARINIS F01-1001

Gradient blue Dial
Dots in SLN White
Green Luminescence
Milanese Mesh

Also Available without date:
ARINIS F01w-1001



ARINIS F01w-1002

Gradient blue Dial
Dots in SLN White
Green Luminescence
Rice Grain Bracelet

Also Available with date:
ARINIS F01-1002

The Elka logo, featuring the brand name in a stylized, cursive script.

ELKA ARINIS F



ARINIS F01-1201

Gradient blue Dial
Dots in SLN White
Green Luminescence
Blue Rubber Strap

Also Available with date:
ARINIS F01-1201



ARINIS F02-1202

Black Mat Dial
Dots in SLN (Effect burned by time)
Green Luminescence
Black Rubber Strap

Also Available without
date: ARINIS F02w-1202

The Elka logo, featuring the brand name in a stylized, cursive script.

ELKA ARINIS F



ARINIS F01-0901

Gradient blue Dial
Dots in SLN White
Green Luminescence
Beige Nylon Nato Strap

Also Available without date:
ARINIS F01w-0901



ARINIS F02w-0901

Black Mat Dial
Dots in SLN (Effect burned by time)
Green Luminescence
Beige Nato Nylon Strap

Also Available with date:
ARINIS F02-0901

The Elka logo, featuring the brand name in a stylized, cursive script.

ELKA ARINIS F



ARINIS F02w-0804

Black Mat Dial
Dots in SLN (Effect burned by time)
Green Luminescence
Nubuck Leather Strap

Also Available with date:
ARINIS F02-0804



ARINIS F01-0804

Gradient blue Dial
Dots in SLN White
Green Luminescence
Nubuck Leather Strap

Also Available without
date: ARINIS F01w-0804

The Elka brand logo, featuring the word 'Elka' in a stylized, cursive script with a horizontal line underneath.

ELKA ARINIS F

AF01-1201 = Blue Dial - Blue Rubber - (date)
AF01-1001 = Blue Dial - Milanese - (date)
AF01-1002 = Blue Dial - Rice Grain bracelet - (date)
AF01-0804 = Blue Dial - Nubuck Leather Strap - (date)
AF01-0901 = Blue Dial - Beige Nato Strap - (date)

AF02-1202= Black Dial - Black Rubber - (date)
AF02-1001 = Black Dial - Milanese - (date)
AF02-1002 = Black Dial - Rice Grain bracelet - (date)
AF02-0804 = Black Dial - Nubuck Leather Strap - (date)
AF02-0901 = Black Dial - Beige Nato Strap - (date)

AF01w-1201 = Blue Dial - Blue Rubber - (NO date)
AF01w-1001 = Blue Dial - Milanese - (NO date)
AF01w-1002 = Blue Dial - Rice Grain bracelet - (NO date)
AF01w-0804 = Blue Dial - Nubuck Leather Strap - (NO date)
AF01w-0901 = Blue Dial - Beige Nato Strap - (NO date)

AF02w-1202 = Black Dial - Black Rubber - (NO date)
AF02w-1001 = Black Dial - Milanese - (NO date)
AF02w-1002 = Black Dial - Rice Grain bracelet - (NO date)
AF02w-0804 = Black Dial - Nubuck Leather Strap - (NO date)
AF02w-0901 = Black Dial - Beige Nato Strap - (NO date)

PRESALE

from May 8 to June 19

Swiss Retail Price

VAT 8,1% Included:

Nato : 1695 CHF

Leather and Rubber : 1755 CHF

Milanese mesh or Rice grain : 1795 CHF

Other countries

(VAT Not Included)

Nato : 1569 CHF

Leather and Rubber : 1625 CHF

Milanese mesh or Rice grain: 1662 CHF

PRICE

From June 20 on

Swiss Retail Price
VAT 8,1% Included:

Nato : 1895 CHF

Leather and Rubber : 1955 CHF

Milanese mesh or Rice grain : 1995 CHF

Other countries
(VAT Not Included)

Nato : 1755 CHF

Leather and Rubber : 1810 CHF

Milanese mesh or Rice grain: 1845CHF



Automatic La Joux-Perret
68 Hours Power Reserve
Sapphire Crystal
WR: 20 bar



Elka
Swiss Made

AF02w-0804

FEATURES



CALIBER

La Joux Perret G100 automatic 4 Hz / 28'800 A/h, stop second 68-hour power reserve

FUNCTIONS

Hours, minutes, centre second, date (available on certain models)

UNIDIRECTIONAL TURNING BEZEL

120 Positions with Ceramic insert filled with Superluminova

CASE MATERIALS

1.4404 steel

CASE DIMENSIONS

41 mm in diameter, 11.85 thick, 46.50 mm Lug to Lug

SCREW DOWN CROWN

Steel 1.4427

SCREWED CASE BACK

Steel 1.4404

HANDS

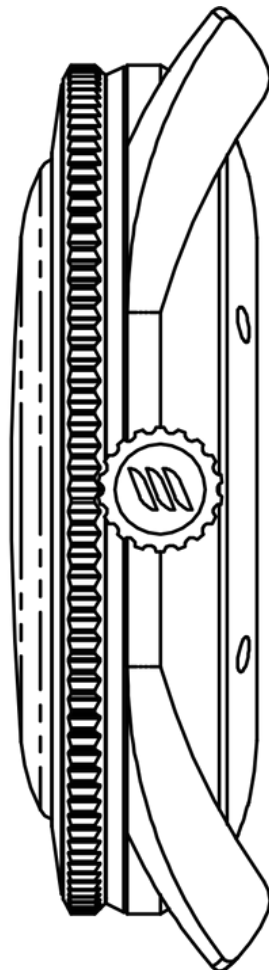
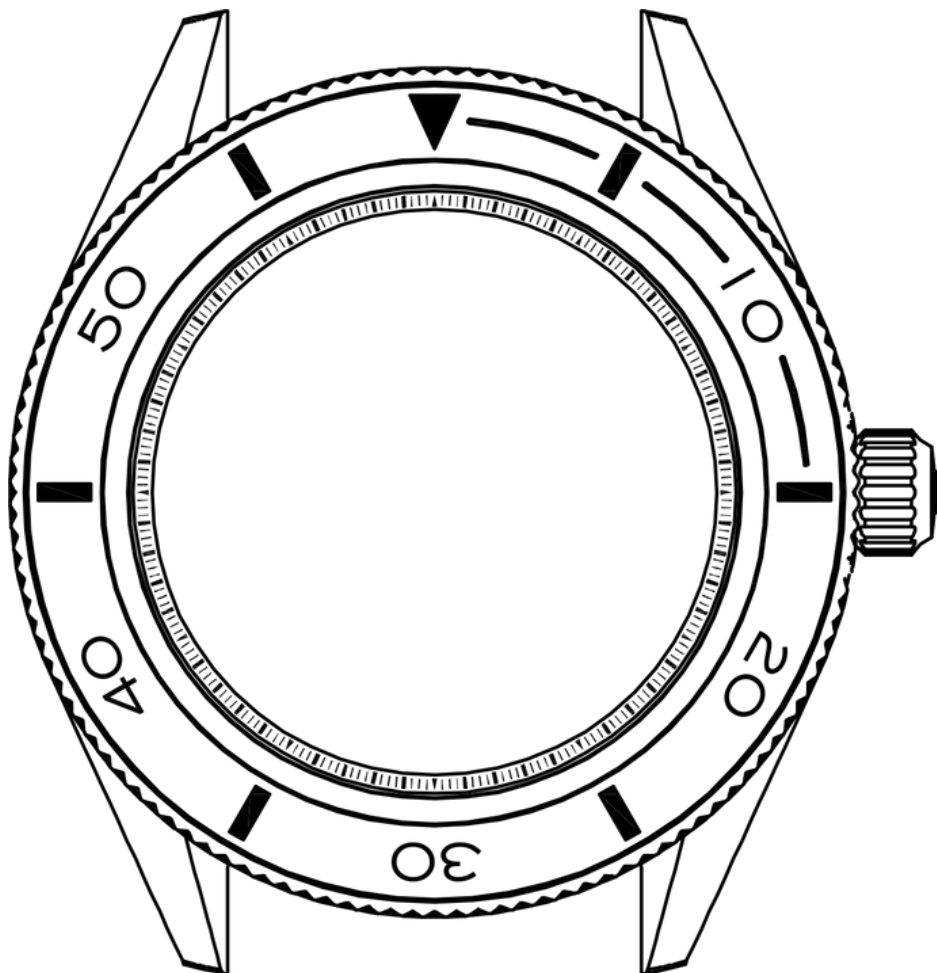
Brushed Nickel Colored - hours and minutes and seconds filled with Superluminova

GLASS

Chevé box type sapphire crystal - anti-scratch anti-reflective treatment on one side

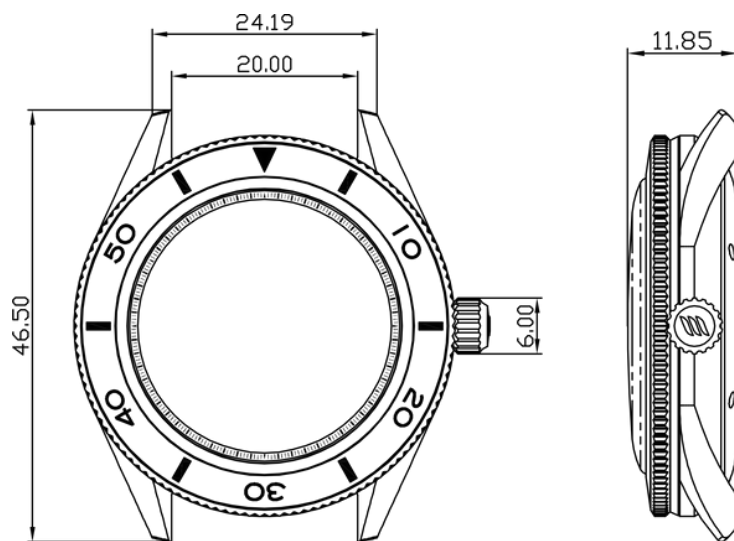
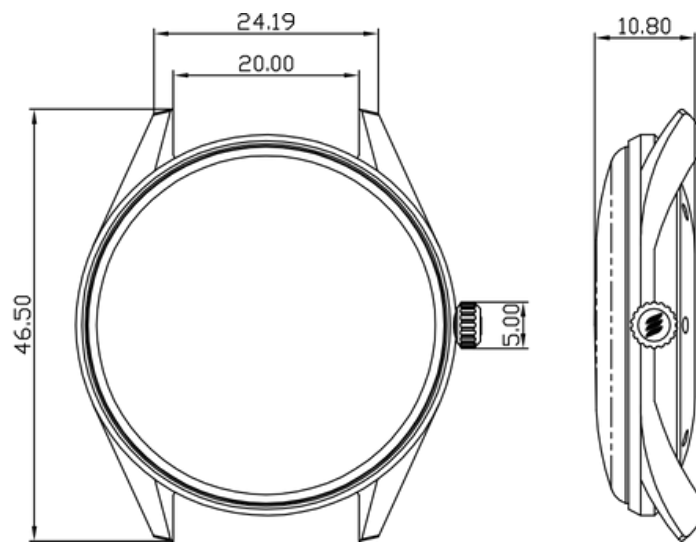
WATERPROOF:

200 meters / 20 bar



The Case

Based on the same case design as the 1st Serie to keep a “family feeling” to the whole collection



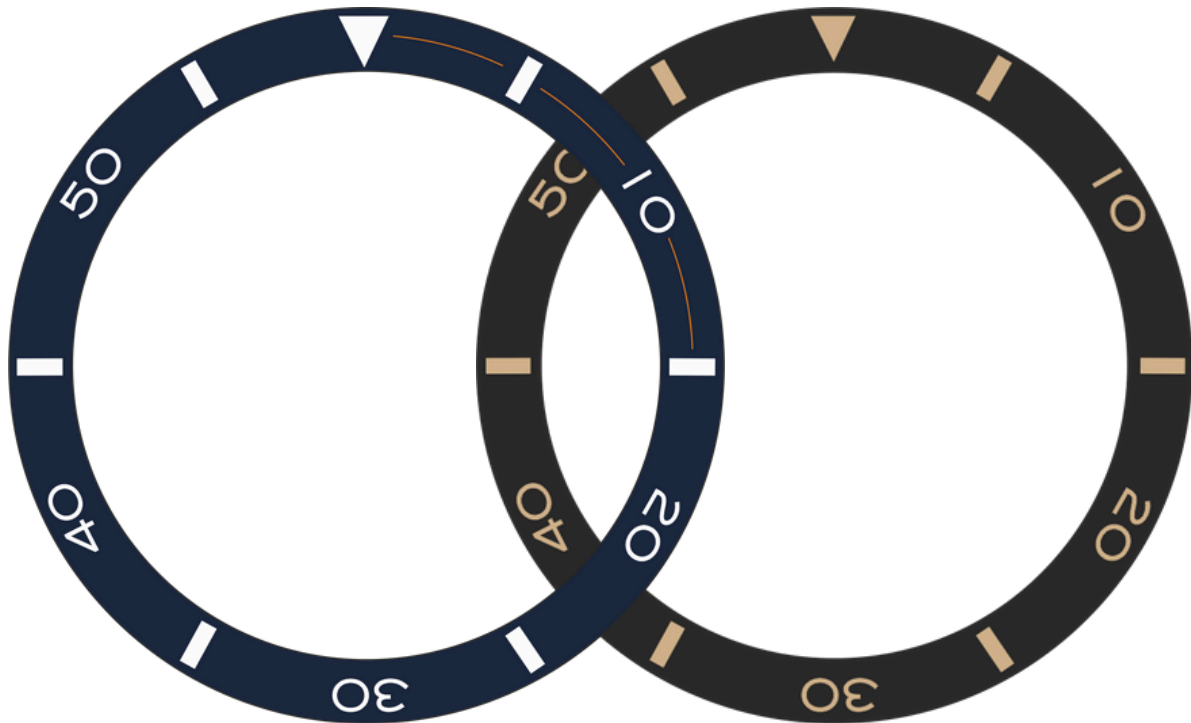
FEATURES

UNIDIRECTIONAL TURNING BEZEL

120 Positions (teeth)

Blue Ceramic insert filled with C1 Superluminova and orange Line

Black Ceramic with Old Radium Superluminova and orange Line

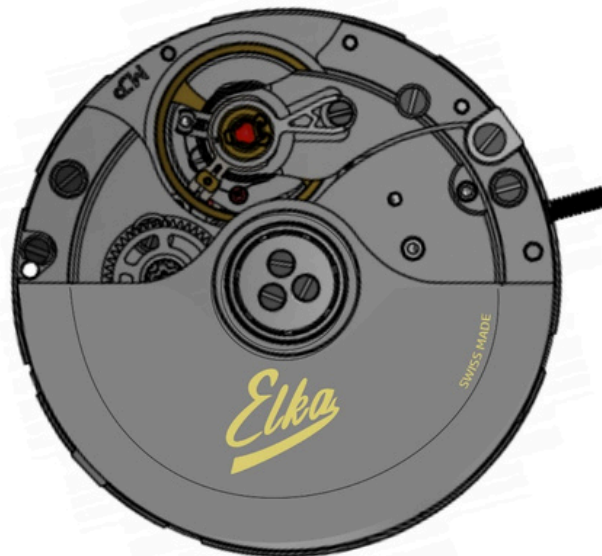


FEATURES



THE MOVEMENT

THE MOVEMENT HAS : 68 HOURS POWER RESERVE 24 JEWELS A FREQUENCY OF 28800 A/H (4HZ) MANUFACTURED BY LA JOUX-PERRET IN LA CHAUX DE FONDS [HTTPS://WWW.LAJOUXPERRET.COM/LA-MANUFACTURE](https://www.lajouxperret.com/LA-MANUFACTURE)



The Elka logo, featuring the brand name in a stylized, cursive font with a horizontal line underneath.

FEATURES

DIALS, HANDS AND SUPERLUMINOVA

HANDS AND INDEXES ARE FILLED WITH SUPER-LUMINOVA® PIGMENTS ARE THE CHOICE OF THE SWISS WATCH INDUSTRY FOR THE HIGHEST POSSIBLE AFTERGLOW PERFORMANCE. THE MATERIALS IS 100% SWISS MADE. SWISS SUPER-LUMINOVA® IS NON-RADIOACTIVE, REACH COMPATIBLE, HIGHLY TEMPERATURE RESISTANT AND RESISTANT TO ENVIRONMENTAL INFLUENCES. IT WORKS LIKE A LIGHT STORAGE BATTERY, WHERE LIGHT CHARGES THE BATTERY AND AFTERWARDS THE LIGHT IS CONTINUOUSLY EMITTED. THIS ACTIVATION AND SUBSEQUENT LIGHT EMISSION PROCESS CAN BE REPEATED AGAIN AND AGAIN, AND THE MATERIAL DOES NOT SUFFER ANY AGEING. IT IS CHARGEABLE WITH SUNLIGHT OR ARTIFICIAL LIGHT. MIXED WITH A SUITABLE SPECIFIC BINDER, SWISS SUPER-LUMINOVA® IS APPLIED ON DIALS AND HANDS.



FEATURES

NATO STRAP

MANY PEOPLE BELIEVE THAT THE NATO BRACELET IS NAMED AFTER THE NORTH ATLANTIC TREATY ORGANISATION (NATO). THEREFORE, THE COMMON STORY IS THAT THE WATCH WAS WORN BY NATO FORCES, BUT THIS IS NOT TECHNICALLY THE CASE. IN REALITY, THE NAME IS SHORT FOR NATO STOCKING NUMBER, A TERM THAT SIMPLY REFERS TO THE FACT THAT THE BRACELET COULD BE PURCHASED IN THE NATO SUPPLY SHOP. THE ORIGINAL NATO BRACELET WAS BORN IN 1973 IN RESPONSE TO THE BRITISH MINISTRY OF DEFENCE'S NEED TO PROVIDE A HIGHLY DURABLE WATCH STRAP FOR THE BRITISH ARMY. THE MOD'S OBJECTIVE WAS TO DESIGN A WATCHBAND THAT COULD COPE WITH ALL SITUATIONS. THE AIM WAS TO OVERCOME THE PROBLEMS ENCOUNTERED WITH THE BRACELETS OF THE TIME: PROBLEMS WITH MOISTURE ON THE LEATHER IN TROPICAL CLIMATES, THE RISK OF REFLECTION OF THE STEEL BRACELET DURING A MILITARY MISSION, THE POOR RELIABILITY OF RUBBER BRACELETS, AND THE RISK OF LOSING THE WATCH DUE TO THE BREAKAGE OF THE SPRING BARS (INCLUDING THOSE IN THE BUCKLE). THEY WERE ONLY AVAILABLE IN THE COLOUR ADMIRAL GREY AND WERE ALL 20 MILLIMETRES WIDE. THE BRACELETS WERE MADE OF NYLON.

SAPPHIRE CRYSTAL

THE CHEVÉ-BOX SAPPHIRE CRYSTALS ARE THE MOST COMPLICATED VERSION OF WATCH SAPPHIRES, THEY HAVE THE APPEARANCE OF HEZALITE GLASSES MADE IN THE PAST, IT SHOULD BE REMEMBERED THAT THE HARDNESS OF THE SAPPHIRE CRYSTAL IS JUST AFTER THAT OF THE DIAMOND, AT ABOUT 2000 HV.



FEATURES

Tropic Strap :

A touch of modernity in a classic design

The Elka Arinis Tropic Rubber Strap is an ode to the golden age of diving watches in the 1960s. Combining functionality and sophistication, this hi-tec genuine rubber strap pays homage to the Tropic straps of the past with a tapered tail, two loops and a textured pattern true to the era.

Despite its vintage look, this is a thoroughly modern bracelet, with easy spring bars and exceptional durability.

The Elka Arinis Vintage Tropic bracelet's small perforations are carefully designed to allow air and water to circulate, offering the wearer great comfort in hot climates. .

Key features :

- Genuine rubber
- Made in Switzerland
- Black or Blue colour
- Size 20/18 mm
- Highly resistant to the elements and temperature.
- Stainless steel Elka buckle.
- Easy spring bar.



FEATURES

The 1950s saw the emergence of the most important diving watches. Primarily instrumental, they were often worn on the wrists of various army corps, such as combat swimmers, at a time when there were no on-board diving electronics.

At the time, diving watches were only fitted with steel straps.

There was a need for a watch strap that was resistant to seawater, and that could be quickly and easily adjusted so that it could be worn either directly on the wrist or over the sleeves of a diving suit.

In the 1960s, Tropic, a leather strap manufacturer, developed a rubber strap to meet the needs of the time.

> The Tropic Classic, designed for diving watches, and the Tropic Sport, for motor racing;

For collectors of vintage watches in general and diving watches in particular, the Tropic Classic bracelet has become as much a standard as the NATO bracelet.

It is worth noting a very important detail that is often missing from contemporary versions of the Tropic Classic.

In keeping with the original Tropic Classic bracelet, the perforations on our bracelet are diamond-shaped on the front, rather than round as in some of today's poor reinterpretations.

In terms of craftsmanship, this is a contemporary version.

Elka Arinis Tropic bracelets are made of vulcanized rubber (called FKM).

- FKM Rubber or Fluoro-Elastomer is an incredibly durable rubber compound that is resistant to salt water, aggressive chemicals and extreme temperatures (as low as -10C and as high as +200C). It is the perfect material for a sophisticated rubber band designed to withstand harsh conditions while looking stylish.





Automatic La Joux-Perret
68 Hours Power Reserve
Sapphire Crystal
WR: 20 bar



Elka
Swiss Made

AF01w-1201

ARINIS

Taking a stroll around the old Arinis village, today called Saint-Blaise, you'll be able to uncover stories but also history. From the palafittes found in the lake to the old wheel, including the ceramic found on an old roman road, this small region near the Neuchâtel Lake in Switzerland is a small jewel demanding to be discovered. Come discover the depths of celt civilisation on the shore of the lake with your new ELKA Diver's watch. The Arinis watch has been inspired by all the history surrounding the wonderful region of Saint-Blaise. Ceramics was found on an old roman path, imposing the idea of a ceramic made bezel. The old wheel, being a strong and intrinsically regional object, has given it's colour to parts of the collection. The ingraved fishes at the back of the watch are a small hint to the fascinating artifacts found in the lake. A thousand years of history, wrapped around your wrist.

ARINIS



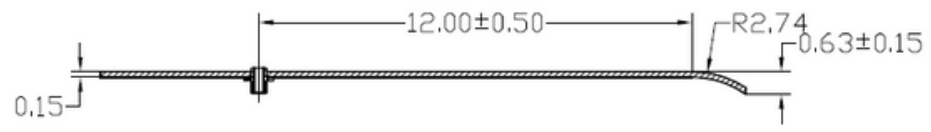
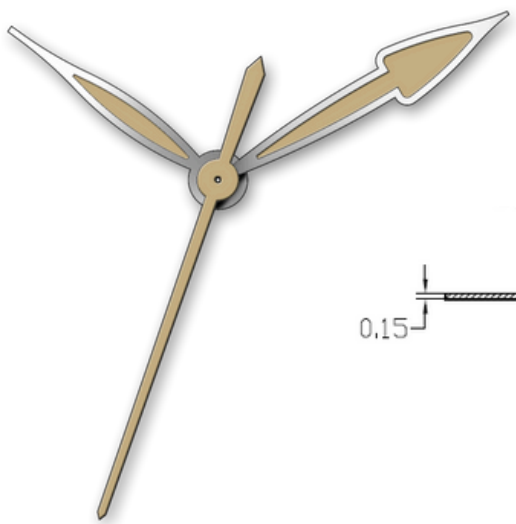
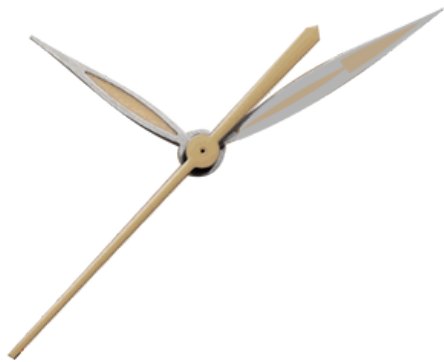
The village of Saint-Blaise was built in the time of Charlemagne (800 AD). It was initially known as Arins, or even Arens, but this was replaced by Saint-Blaise in 1280. The name Arins (Arinis in Latin) appears for the first time in 1011 in a deed by which King Rodolphe III of Burgundy gives his fiancée several towns and villages, including Neuchâtel, Auvèrnièr and Arins. Arins was a favourable location: it was close to the lake, the upper part of the town was in a dominant position and, above all, there was a river, the Ruau, which could be used to power mills and other machinery.

CIVILISATIONS



10cm





Elka



Automatic La Joux-Perret
68 Hours Power Reserve
Sapphire Crystal
WR: 20 bar



Elka
Swiss Made

AF02-1002

CELTES

An excavation carried out between 1986 and 1988 at the Saint-Blaise site (formerly the Bains des Dames) in a 3,200 m² polder, uncovered the presence of palafittes dating from the Final Neolithic (2950-2400 BC). A striking discovery was a wooden wheel (2600 BC) considered to be one of the oldest in the world. It appears that the site was inhabited for some 700 years.



AVENTICUM



picture: <https://fr.wikipedia.org/wiki/Aventicum>

Aventicum was the capital of Helvetic territory - Occupied since Celtic times, the town became part of the Roman Empire around 15 BC and grew rapidly from the first century AD, particularly after becoming a colony in 71/72 AD. Strategically located thanks to the road and river network, and with a population of up to 20000 inhabitants, Aventicum was one of the most important towns on Swiss territory in Roman times. Today, Avenches is home to the Roman Museum and several of its ancient monuments are still visible.



<https://www.eawag.ch/>

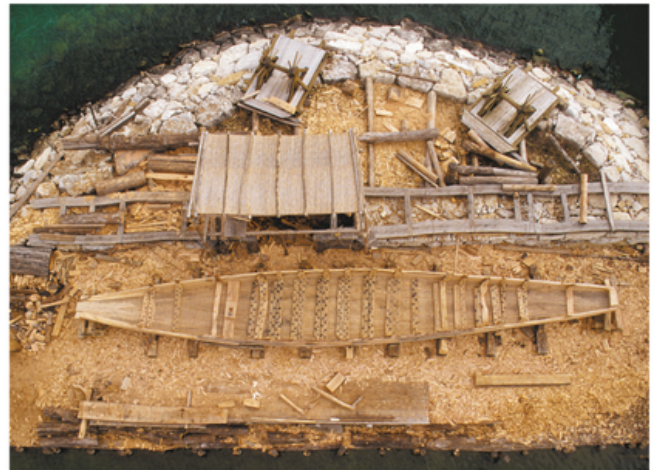
ROMAN

The construction of the capital of Helvetia required ashlar from Arinis, which were transported down the Devil's Path to the barges - ten trips a day over a period of 10 years.

Some of the barges sank, and are still visible and in a relatively good state of preservation.



<https://octopusfoundation.org/project/epaves-peril-lac-neuchatel>



Le Laténium et le chaland gallo-romain de Bevaix : de la découverte...

C'est en 1970 que commence l'histoire récente du chaland gallo-romain de Bevaix ; en décembre de cette année-là, Michel Eglo...

books.openedition.org

Elka

CERAMIC

The Devil's Path (Chemin du Diable);
A stone-paved Roman road that is still clearly visible and linked the Vy d'Etra (Roman road at the foot of the Jura) to Avenches (Aventicum), the capital of Roman Helvetia. The ruts cut into the stones of the road to allow the passage of standard-gauge chariots are still clearly visible.

At a burial site, dating from 2300 BC, discovered in 1911 not far from the Chemin du Diable, 260 kg of ceramics (800 -700 BC) and a large number of other objects, such as an artefact dating from the Middle Ages. C.) were unearthed at the Roches de Châtoillon during archaeological excavations in 2000. The remains of a Roman villa and inscription along with the presence of the Chemin du Diable and Roman coins and shards at the origin of the place known as "Les Tuiles ou Tioles", near the Chemin des Plaines, attest to a human presence that has certainly not ceased since the existence of the Late Neolithic village.



<https://www.saint-blaise.ch/decouverte/presentation/histoire-1>

PALAFITTE



More than a thousand lakeside villages, called palafittes, have been discovered in Switzerland; since 2011, 111 of them have been listed as UNESCO World Heritage Sites. In the Three-Lakes region, 22 palafittes are included in this list, and the archaeological research carried out at these sites over the last 150 years has served as a reference point for understanding European prehistory. Along the Neuchâtel coast alone, 70 sites have been identified, containing 123 different villages. In this region, occupation of these wetland habitats spans a period of 3,000 years, between 4,000 and 850 BC. The data gathered during the lake excavations provide a detailed insight into the material culture and settlement layout of these Neolithic and Bronze Age societies.

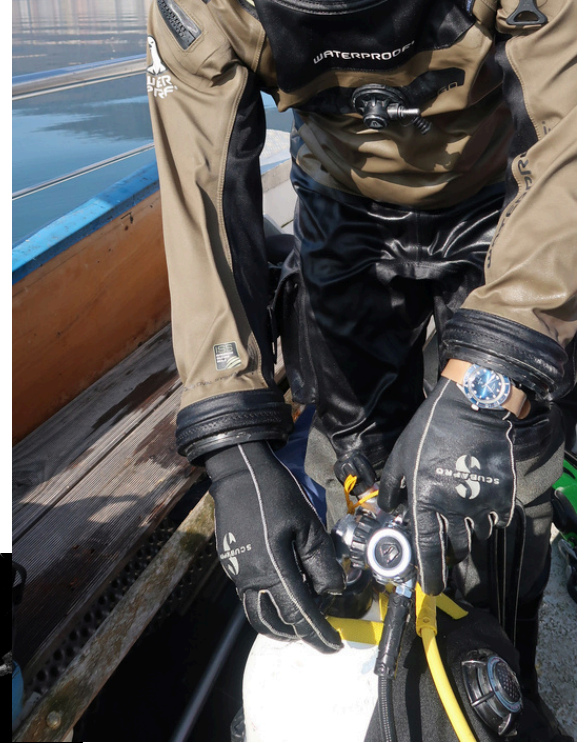
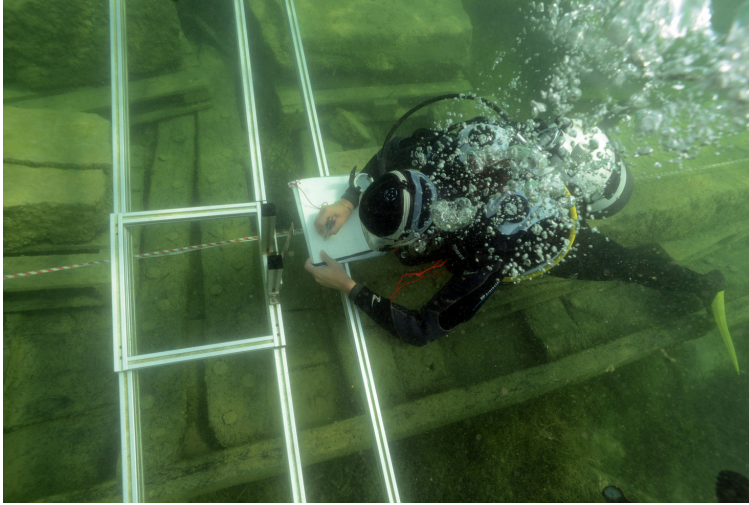


Fabien Langenegger archaeologist-dendrochronologist



<https://ourheritage.ch/article/les-palafittes-autour-des-alpes>

DENDROCHRONOLOGY



Dendrochronology, a scientific discipline concerned with the dating and interpretation of past events, particularly palaeoclimates and climate trends, based on the analysis of tree rings.

Fabien Langenegger archaeologist-dendrochronologist

Elka



Automatic La Joux-Perret
68 Hours Power Reserve
Sapphire Crystal
WR: 20 bar



Elka
Swiss Made

AF01-1001



HAKIM EL KADIRI

With a foundation in Mechanical Engineering, Hakim El Kadiri has spent the vast majority of his working life working in the product development side of the watch industry.

“My work is not a job, it's a passion, I love what I do, I don't feel like going to work in the morning, I dream about my work, I live my work, I breathe my work, the part your work takes in your life is huge, if you are lucky enough to be passionate, you'll never think about working, you'll just enjoy your life and the balance of life you'll have,

<https://www.thenakedwatchmaker.com/people-hakim-el-kadiri>

ABOUT

Elka

The new Swiss watch. Born in Amsterdam 150 years ago. ELKA watches are part of a tradition, a lineage and a history. That of a brand founded in 1877 in Amsterdam by Eliazer Kiek, inventor of the tactile watch for the blind and watchmaker to Queen Juliana of the Netherlands. In 1949, the ELKA Watch Company opened its Swiss branch in La Chaux-de-Fonds. (It produced wristwatches, of course, but also pocket watches, Braille watches, chronographs, chess and signal clocks).

Then, in the mid-1970s, the brand disappeared, along with Ernst Louis Kiek, grandson and last heir.



ARINIS



Elka