



BPO LIGHTING

Hazardous Location LED Imports

HLL-I SERIES

**EXPLOSION PROOF LED
FOR HAZARDOUS LOCATIONS**



- Class I/Division 1, Groups C,D
- Class I/Division 2, Groups A,B,C,D
- Class II/Division 1, Groups E,F,G
- Class II/Division 2, Groups E,F,G
- Class III
- UL 1598A Marine Listed
- UL 1598
- UL 844
- ABS and DNV Type Approved
- IP 66
- IK 10

SPECIFICATIONS

Voltage:	100 - 277vAC 200 - 480vAC	Lifetime:	70,000 hrs. at L70
Listings:	CI/D1 Groups C&D CI/D2 Groups A, B, C &D CII/DI Groups E, F & G CIII	CRI:	>70 Cool White
Ambient Temperatures:	-40°C to 60°C	Dist:	120*
T – Rating:	T4	Pwr Factor:	>.95
Housing:	Copper Free Aluminum	CCT:	5000K Standard
Lens:	Flat Tempered Glass	Weight:	2' 8.8 lbs., 4' 12.12 lbs.
Wattage:	30w / 40w / 60w / 80w	Dims:	2' - 24" x 5.5" x 8.1" 4' - 47.5" x 5.5" x 8.1"
Efficacy:	140 lm/w	NPT:	3/4"
		Warranty:	5 Year Limited

Hazardous Location LED Imports

www.bpolighting.com

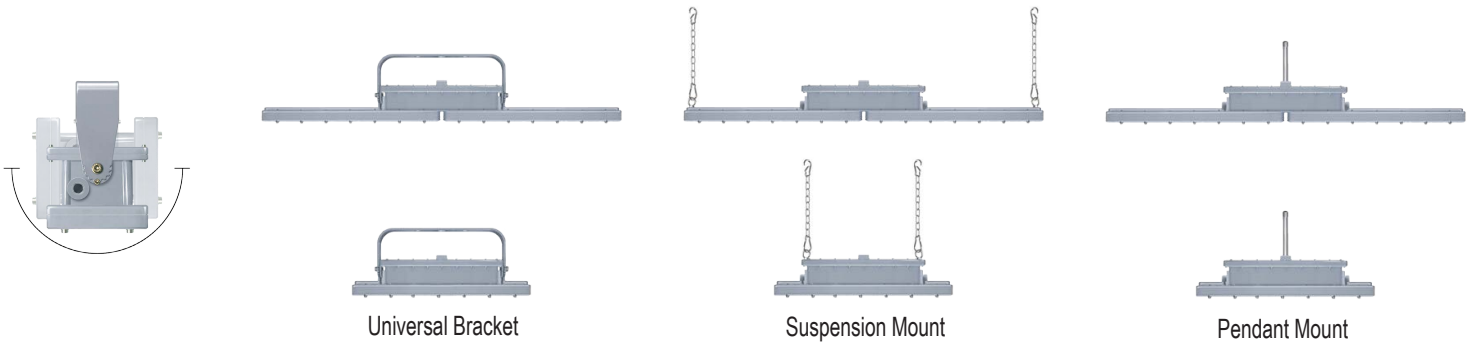
14655 Champion Forest Dr. #1802 • Houston, Texas 77069 • (832) 977-1536

HLL-I SERIES EXPLOSION PROOF LED FOR HAZARDOUS LOCATIONS

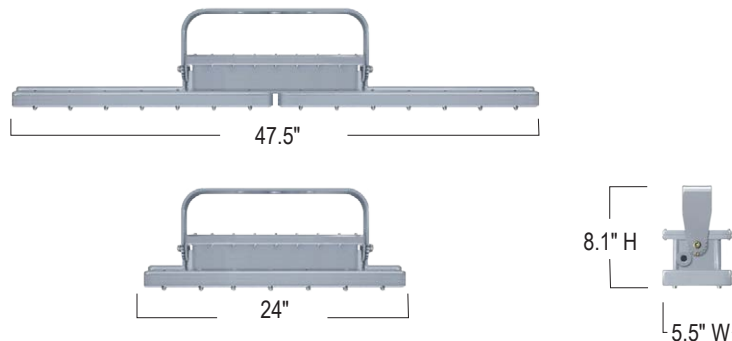
ORDERING INFORMATION

SERIES/LENGTH	WATTAGE	VOLTAGE	CCT	MOUNTING
HLL-I				
SERIES HLL-I-2 = 2' HLL-I-4 = 4'	WATTAGE 2' MODEL 30 = 30W (4,200 LUMENS) 40 = 40W (5,600 LUMENS) 4' MODEL 40 = 40W (5,600 LUMENS) 60 = 60W (8,400 LUMENS) 80 = 80W (11,200 LUMENS)	VOLTAGE U = 120-277V HV = 200-480V	CCT Standard 50K = 5000K Optional 40K = 4000K	MOUNTING UB = UNIVERSAL BRACKET SM = SUSPENSION MOUNT PM = PENDANT MOUNT

MOUNTING OPTIONS



DIMENSIONS



Hazardous Location LED Imports