



BPO LIGHTING

Hazardous Location LED Imports



FEATURES & SPECIFICATIONS:

Construction

- Marine Grade extruded aluminum housing
- Oxidized Hammer Finish and two high-durability polyester powder coating layers
- Marine Grade stainless steel hardware & mounting
- Stainless steel cable glands with adapter from M20 to 3/4" or 1/2"
- Enclosure color silver, other colors available

Optical System

- Light Source: CREE | XT-E | S4 LED's
- Color Temperature: 5000K (standard), 2800-5700K special order
- Lumen Package: 3,000 Lumens / 150 lumens per watt (20W)
- 120° Optics. 17°, 25°, 40°, 60° & 80° available special order

Electrical System

- LED Driver Protection: Overload, temperature, short-circuit and surge protection
- 110-277V, 50/60HZ replaceable driver

Weight & Dimensions:

- 5.9" x 3.3"
- 2.8 lbs

Other

- Rated life 100,000 hours at 25°C
- 5 year warranty

LPLX SERIES

LOW PROFILE EXPLOSION PROOF LED

LISTINGS:

UL 844 for Use in Hazardous Locations
UL 1598A Marine Outside Type (Saltwater)
CSA C22.2 No. 250.0
CSA C22.2 No. 137
IP66

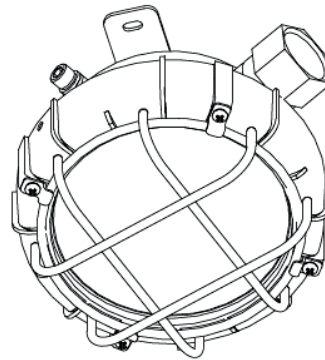
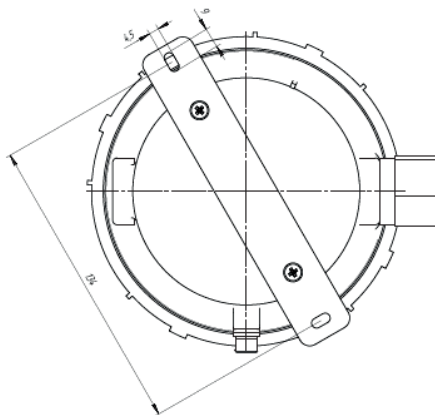
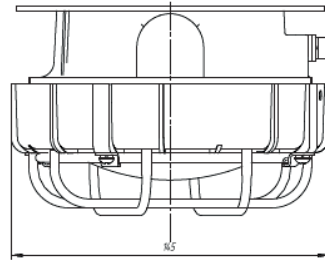
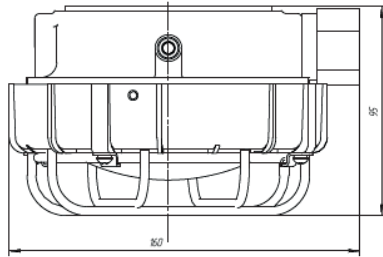
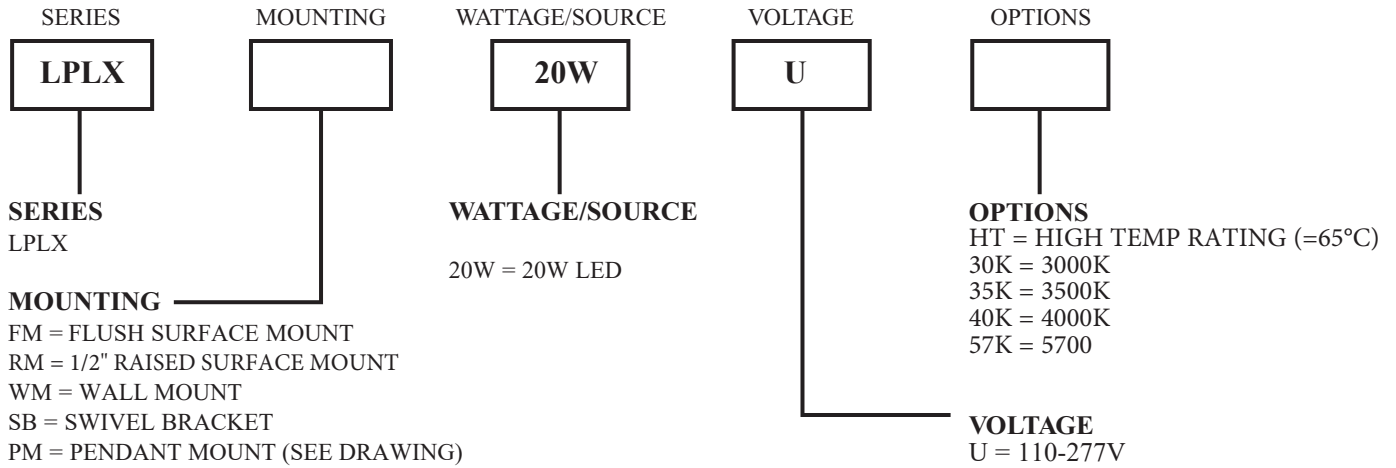
Class I Division 1 Groups C, D
Class I Division 2 Groups A, B, C, D
Class II Division 1 and 2 Groups E, F
Class III
Class I Zone 1 Group IIB T6
Class I Zone 2 Group IIC T6
Class II Zone 20, 21, or 22 Group IIB T6
1Ex d IIC T5
-60°C to +55°C
-60°C to +65°C (Optional)

APPLICATIONS:

Coastal Marine Areas
Chemical Plants
Pharmaceutical Plants
Wastewater Treatment Plants
Hazardous Storage Facilities
Cold Storage Facilities
Corrosive Environments
Shipyards / Marine Vessels
Subzero Storage
Modular Skids / Buildings
Elevator Shafts
Tunnels

LPLX SERIES

ORDERING INFORMATION



Hazardous Location LED Imports

www.bpolighting.com

14655 Champion Forest Dr. #1802 • Houston, Texas 77069 • (832) 977-1536