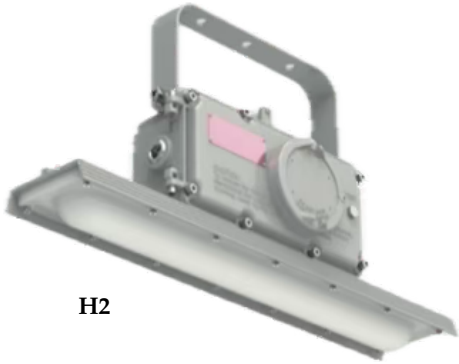




BPO LIGHTING
Hazardous Area Lighting

HLL H
TUNABLE



H2



H4



Class 1 Division 2

Key Features

FEATURES: Tunable Wattage
Adjustable CCT

Compact Rugged Linear
High Temperature

OPTIONS: Modern Design
2' & 4' Body Lengths
8 Mounting Styles. Impact resistant
Lens: Flat or Convex / Clear or Frosted / Glass or PC
High Voltage
Emergency Back-Up

Compliance

UL 844 Hazardous Locations
Class I Division 2 Groups A, B, C, D
Class I Zone 2 Group IIC
Class II Division 1 Groups F, G
Class II Zone 21 Group IIIC
Class III
UL 1598 Suitable for Wet Locations
UL 1598A Marine Saltwater
UL924 Emergency Light
CSA C22.2 No. 250.0:2021 Ed.5
CSA C22.2 No. 137:2018 Ed.2

IP66
IK08 (Glass Cover)
IK10 (With Wire Guard)
1000 Hours Salt Spray
ETL (ATM for Report 105342415DAL-001)
ABS
DLC qualification varies for product versions.\

Applications

Oil and Gas

Petroleum production and refining
Petroleum loading, storage, transportation and retail
Confined spaces with vapor accumulation
LNG and LPG handling
Oil tankers and shipping vessels
Fuel system testing facilities

Power Plants

Coal-fired power plants, including coal handling and storage areas
Gas-fired power plants with fuel storage
Nuclear power facilities in hazardous auxiliary areas
Biomass or waste-to-energy plants with combustible dust risks

Industrial

Industrial storage facilities
Paper mills, sawmills and lumber yards
Loading dock platforms
Manufacturing plants for heavy industrial goods
Warehouses handling flammable materials

Waste Treatment

Wastewater treatment plants
Pumping stations
Solid waste processing and incineration facilities
Sewage treatment with methane gas risks
Hazardous waste recycling centers

Mining

Operations and service areas
Underground mining tunnels with gas accumulation

Chemical Industry

Chemical production, processing and storage facilities
Solvent handling and mixing areas
Chemical research labs with flammable substances

Ocean, Marine and Aerospace

Offshore platform operation facilities and structures
Marine and saltwater environments
Aerospace clean rooms and production areas
Ocean vessel operations
Shipyards and dry docks
Aircraft hangars with fuel vapors

Metal Treatment

Paint facilities
Steel and aluminum factories
Metal smelting, foundry and fabrication
Welding and cutting areas with gas risks

Military and Defense

Ammunition storage and handling
Fuel depots and refueling stations
Explosives manufacturing
Vehicle maintenance bays in hazardous zones

Food, Alcohol and Agriculture Industry

Flour and fine particle production and storage
Food and distilling production
Grain storage elevators and silos
Breweries and fermentation tanks
Feed mills with dust risks
Fertilizer production and storage

Pharmaceutical Industry

Drug manufacturing and solvent handling
Clean rooms with volatile compounds
Pill coating and drying areas
Research and development labs

Other high humidity, high dust, high temperature and vapor locations

Specifications

| | | | | | | | | | | | | | | | | |
|---------|------|------|------|------|------|------|------|-------|------|------|------|-------|-------|-------|-------|-------|
| Wattage | 20 W | 30 W | 40 W | 50 W | 60 W | 70 W | 80 W | 100 W | 40 W | 60 W | 80 W | 100 W | 120 W | 150 W | 180 W | 200 W |
| Body | H2 | | | | | | | | H4 | | | | | | | |

OPTICAL

| | | | | | | | | | | | | | | | | |
|-----------------------------|--|---------|---------|---------|---------|---------|---------|----------|---------|---------|---------|----------|----------|----------|----------|----------|
| Lumen Output | 2200 lm | 3300 lm | 4400 lm | 5500 lm | 6600 lm | 7700 lm | 8800 lm | 11000 lm | 4400 lm | 6600 lm | 8800 lm | 11000 lm | 13200 lm | 16500 lm | 19800 lm | 22000 lm |
| Lumens Per Watt | 110 lm/W | | | | | | | | | | | | | | | |
| Color Temperature: CCT | SELECTABLE: Standard 5000K Options: 2000K/3000K/4000K/5000K/5700K/6500K/7500K | | | | | | | | | | | | | | | |
| CRI (Color Rendering Index) | >70 | | | | | | | | | | | | | | | |
| Beam Angle | Standard: 120° Options: 30°/40°/60°/90°/T2/T3/T5 | | | | | | | | | | | | | | | |
| Dimming | 0-10V dimming | | | | | | | | | | | | | | | |

ENVIRONMENTAL

| | | |
|---------------------------------|--|--|
| Ambient Operating Temperature | T4A: -40°C to +65°C (-40°F to 149°F) T5: -40°C to +40°C (-40°F to +104°F) | T4A: -40°C to +55°C (-40°F to 131°F) T5: -40°C to +40°C (-40°F to +104°F) |
| Temperature Code | T4A +65°C, T5: +40°C | T4A +55°C, T5 +40°C |
| Power Model (120-277VAC/347VAC) | SS-75VA-56BHL | SS-100VA-56BHL |

MECHANICAL

| | |
|------------------|---|
| Housing Material | Copper-free aluminum |
| Lens Diffuser | Standard: Frosted Convex PC Options: Clear Flat Glass, Clear Flat PC, Clear Convex PC, Frosted Flat Glass, Frosted Flat PC, Frosted Convex PC |
| Hardware | Stainless Steel 304 |
| Mounting | Ceiling, Wall, Pole, Pendant |
| Cable Entry | Two 3/4" NPT Cable Entries on the Side |
| LED Chip | 2835 |
| Warranty | 5 Year Standard Warranty |

ELECTRICAL

| | |
|-----------------|---------------------------------------|
| Lifespan | L70> 150,000 Operational Hours @ 55°C |
| Input Voltage | 120-277VAC, 120-347VAC, 277-480VAC |
| Input Frequency | 50/60Hz |
| Power Factor | > 0.95 |
| LED Driver | Sosen Power |

EMERGENCY

| | |
|----------------|------------------|
| Emergency Time | 1.5 Hour, 3 Hour |
|----------------|------------------|

Ordering Logic

ORDER EXAMPLE: HLL H EX 80W H4 D 50 D120 T

| (1) Product | (2) Product Category | (3) Wattage | (4) Shape Series | (5) Dimming |
|-----------------|----------------------|--|------------------|--|
| HLL H | EX - Explosion Proof | 60W: 60W/40W/30W [H2] 80W: 80W/60W/40W [H4] Inquire About Additional Wattage Combinations: H2: 20W/30W/40W/50W/60W/70W/80W/100W H4: 40W/60W/80W/100W/120W/150W/180W/200W | H2 H4 | Blank - Non-Dimmable D - Dimmable (S) |
| (6) Kelvin | (7) Beam Angle | (8) Lens | (9) Tunable | (10) Backup Power Source |
| 20 - 2000 K | D30 - 30° | CFG - Clear Flat Glass | T - Tunable | Blank - Without Emergency |
| 30 - 3000 K | D40 - 40° | CFP - Clear Flat PC | | EM - Emergency Battery |
| 40 - 4000 K | D60 - 60° | CCP - Clear Convex PC | | |
| 50 - 5000 K (S) | D90 - 90° | FFG - Frosted Flat Glass | | |
| 57 - 5700 K | D120 - 120° (S) | FFP - Frosted Flat PC | | |
| 65 - 6500 K | T2 - 60° | FCP or Blank - Frosted Convex PC (S) | | |
| 75 - 7500 K | T3 - 90° | | | |
| | T5 - 120° | | | |

(S) Standard

Accessories



45° Bracket



Bracket



EX Junction Box



Lifting Hook



Wall Mounted
Stanchion Arm



25° Stanchion
Pole Mount



25° Stanchion
Junction Box



90° Stanchion
Junction Box



Bent Threaded Pipe

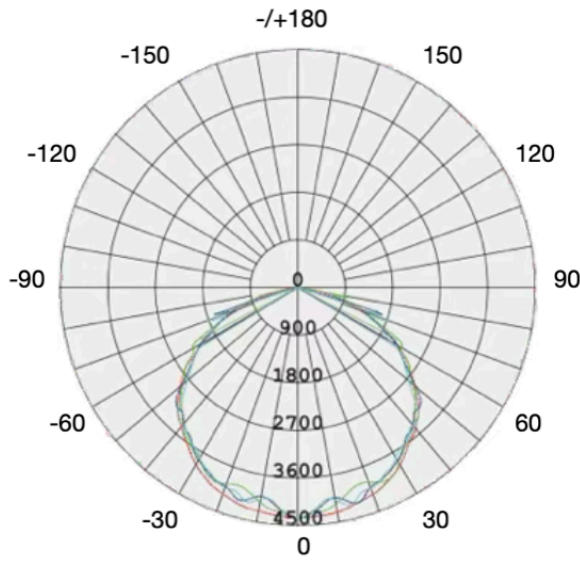


Threaded Pipe



Chain

Photometric



120 Degree

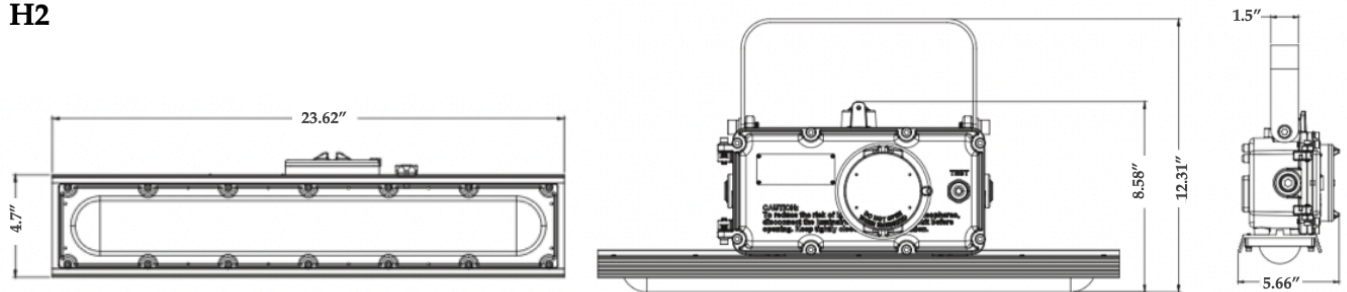
Average Beam Angle (50%): 120.2 Degree

UNIT: cd

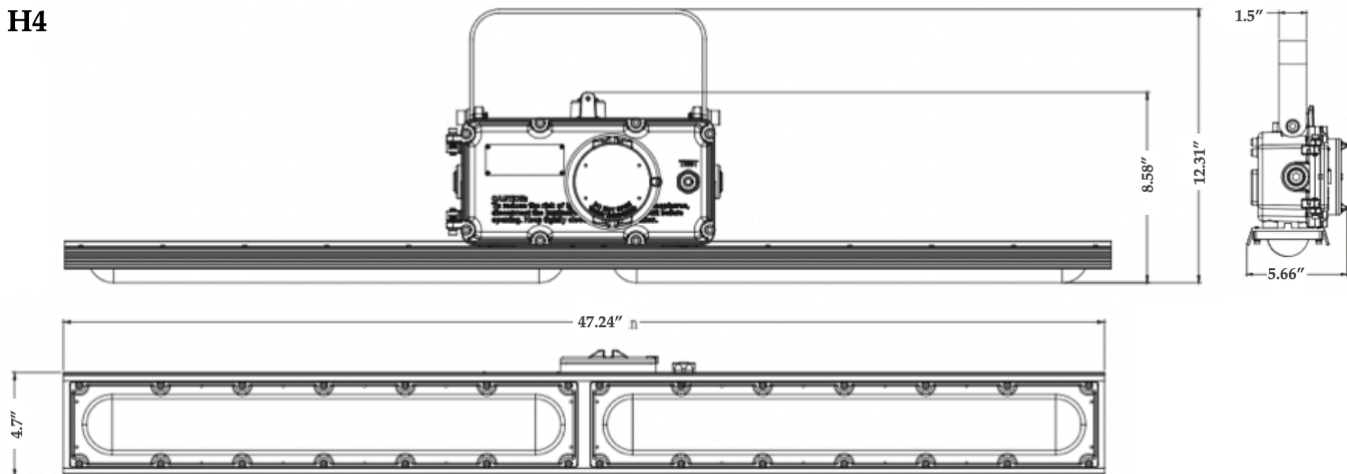
- C0/180, 119.2°
- C30/210, 124.8°
- C60/240, 119.3°
- C90/270, 117.4°

Product Dimensions

H2



H4

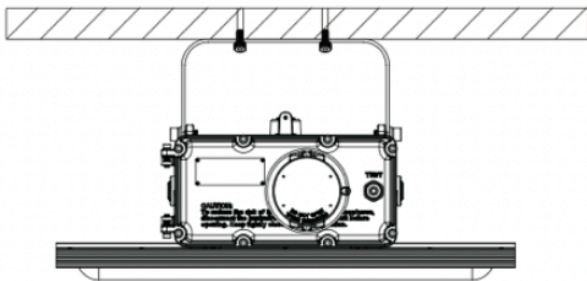


Packaging Information

| | H2 | H4 |
|--------------------|--|---|
| Pieces | 2 | 2 |
| Fixture Dimensions | See Product Dimensions Drawing | See Product Dimensions Drawing |
| Package Dimensions | 27.95 x 16.93 x 12.60 in (710 x 429 x 320 mm) | 51.97 x 16.54 x 12.99 in (1320 x 419 x 330 mm) |
| Net Fixture Weight | 12.57 lb (5.7 kg) | 16.31 lb (7.4 kg) |
| Gross Weight | 27.56 lb (12.5 kg) | 36.16 lb (16.4 kg) |

Mounting Methods

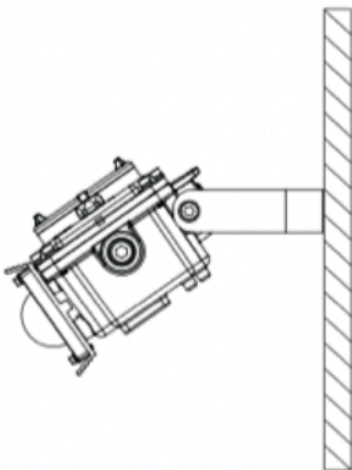
Option 1: Ceiling Mount



Accessory



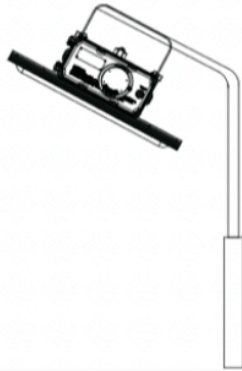
Option 2: Wall Mount



Accessory



Option 3: Pole Mount

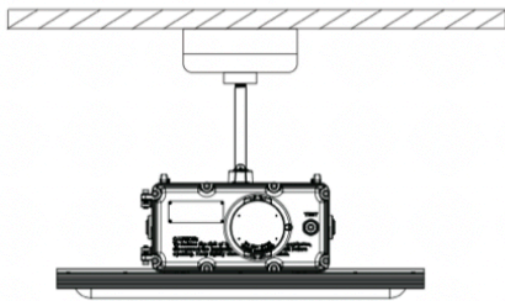


Accessory



Bracket

Option 4: Pendant Mount



Accessory

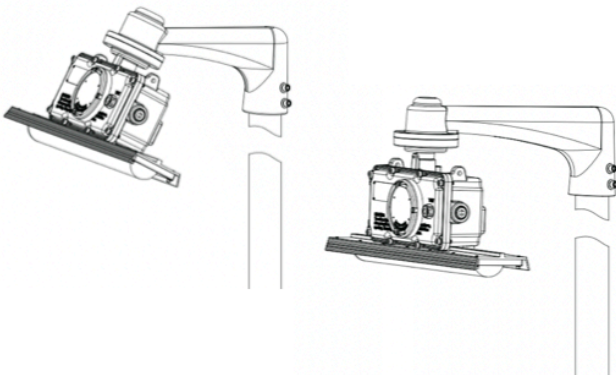


EX Junction Box



Threaded Pipe

Option 5: Stanchion Pole Mount



Accessory



25° Stanchion Pole Mount

90° Stanchion Pole Mount (Not Shown)

Option 6: Wall Stanchion Mount With Junction Box

Accessory



**25° Stanchion
Junction Box**



**90° Stanchion
Junction Box**

Option 7: 45° Pole Mount

Accessory



45° Bracket

Option 8: Hook & Chain Mount

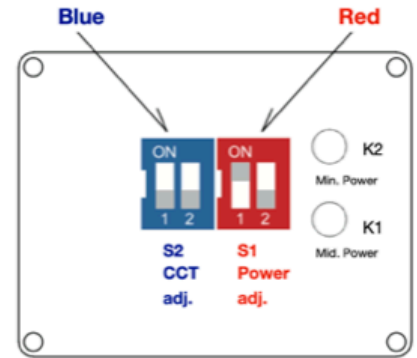
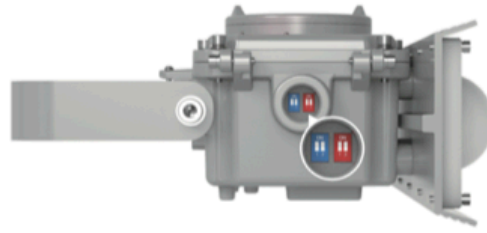
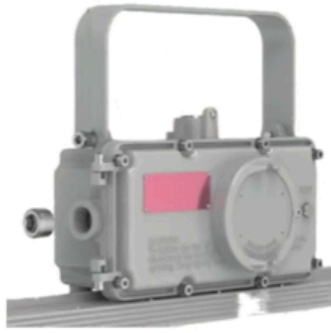
Accessory



Lifting Hook






Chain



OPERATING INSTRUCTIONS




S1 DIP SWITCH - RED (S1 Power adj.)

The power adjustment dial switch can be set to three power levels, and the factory default setting can be defined according to order requirements.

-  First gear (Max. power), 100% full power.
Operation instructions: Dial 1 and 2 are both in the OFF position;
Example: 100W
-  Second gear (Mid. power), 70%-80% power, can be set according to the required power.
Operation instructions: Dial 1 is in the ON position, Dial 2 is in the OFF position;
Example: 80W
-  Third gear (Min. power), 50%-60% power, can be set according to the required power.
Operation instructions: Dial 1 is in the OFF position, Dial 2 is in the ON position;
Example: 60W

S2 DIP SWITCH - BLUE (S2 CCT adj.)

The color temperature dial switch can be set to three levels of color temperature, and the factory default setting can be defined according to order requirements.

-  First gear, the cold white temperature gear, for example, 6000K.
Operation instructions: Dial 1 and 2 are both in the OFF position;
6500K
-  Second gear, the neutral temperature gear, for example, 5000K.
Operation instructions: Dial 1 is in the ON position, and Dial 2 is in the OFF position;
5000K
-  Third gear, the warm white temperature gear, for example, 4000K.
Operation instructions: Dial 1 and 2 are both in the ON position;
4000K

(1) Power Adjuster:

Connect to the 0/1-10V dimming port of the LED driver.

(2) CCT Adjuster:

Connect the output voltage of the LED driver:
DC20 - 60V LED driver maximum no - load output voltage: 68V max

(3) The three - gear power setting principle is as follows:

The first gear is 100%, the second gear is 70 - 80%, and the third gear is 50 - 60%.
The minimum setting cannot be lower than 50%.