



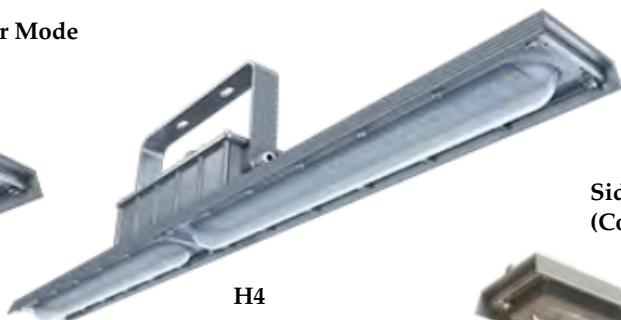
BPO LIGHTING
Hazardous Area Lighting

HLL H

Regular Mode

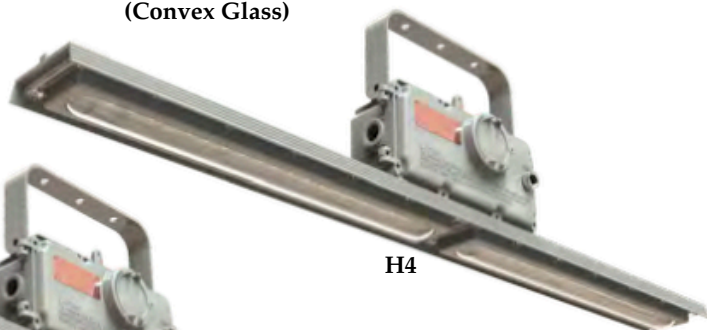


H2



H4

Side Opening Cover Model
 (Convex Glass)

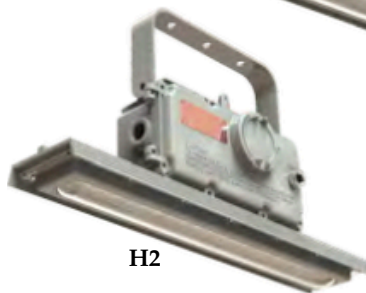


H4

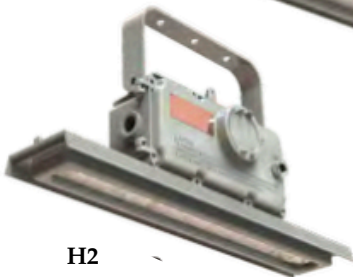
Side Opening Cover Model
 (Flat Glass)



H4



H2



H2



Class 1 Division 2

Key Features

- FEATURES:** Linear (Rugged)
 Modern Design
 High lm/W
- OPTIONS:** 2' & 4' Body Lengths
 5 Mounting Styles
 High Voltage
 Emergency Back-Up

Compliance

UL 844 Hazardous Locations
Class I Division 2 Groups A, B, C, D
Class I Zone 2 Group IIC
Class II Division 2 Groups F, G
Class II Zone 21 Group IIIC
Class III
UL 1598 Suitable for Wet Locations
UL 1598A Marine Saltwater
UL924 Emergency Light
CSA C22.2 No. 250.0:2021 Ed.5
CSA C22.2 No. 137:2018 Ed.2

IP66
IP67
IK08 (Glass Cover)
IK10 (With Wire Guard)
1000 Hours Salt Spray
ETL (ATM for Report 105342415DAL-001)
ABS
DLC qualification varies for product versions.

Applications

Oil and Gas

Petroleum production and refining
Petroleum loading, storage, transportation and retail
Confined spaces with vapor accumulation
LNG and LPG handling
Oil tankers and shipping vessels
Fuel system testing facilities

Power Plants

Coal-fired power plants, including coal handling and storage areas
Gas-fired power plants with fuel storage
Nuclear power facilities in hazardous auxiliary areas
Biomass or waste-to-energy plants with combustible dust risks

Industrial

Industrial storage facilities
Paper mills, sawmills and lumber yards
Loading dock platforms
Manufacturing plants for heavy industrial goods
Warehouses handling flammable materials

Waste Treatment

Wastewater treatment plants
Pumping stations
Solid waste processing and incineration facilities
Sewage treatment with methane gas risks
Hazardous waste recycling centers

Mining

Operations and service areas
Underground mining tunnels with gas accumulation

Chemical Industry

Chemical production, processing and storage facilities
Solvent handling and mixing areas
Chemical research labs with flammable substances

Ocean, Marine and Aerospace

Offshore platform operation facilities and structures
Marine and saltwater environments
Aerospace clean rooms and production areas
Ocean vessel operations
Shipyards and dry docks
Aircraft hangars with fuel vapors

Metal Treatment

Paint facilities
Steel and aluminum factories
Metal smelting, foundry and fabrication
Welding and cutting areas with gas risks

Military and Defense

Ammunition storage and handling
Fuel depots and refueling stations
Explosives manufacturing
Vehicle maintenance bays in hazardous zones

Food, Alcohol and Agriculture Industry

Flour and fine particle production and storage
Food and distilling production
Grain storage elevators and silos
Breweries and fermentation tanks
Feed mills with dust risks
Fertilizer production and storage

Pharmaceutical Industry

Drug manufacturing and solvent handling
Clean rooms with volatile compounds
Pill coating and drying areas
Research and development labs

Other high humidity, high dust, high temperature and vapor locations

Specifications

Wattage	20W	40W	40W	60W	80W
Body	H2		H4		

OPTICAL

Lumen Output	2800lm	5600 lm	5600 lm	8400 lm	11200 lm
Lumens Per Watt	140 lm/W				
Color Temperature: CCT	5000K (standard), 2700-6500K optional				
CRI (Color Rendering Index)	>70				
Beam Angle	120°				
Dimming	0-10V dimming				

ENVIRONMENTAL

Ambient Operating Temperature	-40°C to +60°C (-40°F to +140°F)
Temperature Code	T3

MECHANICAL

Housing Material	Copper-free aluminum
Lens Diffuser	Clear flat glass/ convex PC(clear or milky white)
Hardware	Stainless Steel
Mounting	Ceiling, Wall, Pole, Pendant, Chain
Cable Entry	Regular Model: Top: 3/4" NPT(standard), 1/2" NPT, Two sides: 3/4" NPT(standard), 1/2" NPT Optional Side Opening Cover Model: Top: 3/4" NPT(standard), 1/2" NPT Option, Two sides: 3/4" NPT(standard), 1/2" NPT; Plug or cable entry optional
Warranty	5 Year Standard Warranty

ELECTRICAL

Lifespan	L70> 150,000 Operational Hours @ 55°C
Input Voltage	100-277VAC, 200VAC-480VAC, 12-36VDC
Input Frequency	50/60Hz
Power Factor	> 0.95

EMERGENCY

Emergency Time	3 Hour Optional
----------------	-----------------

Ordering Logic

ORDER EXAMPLE: HLL H EX 80W H4 D 5K 120

(1) Product	(2) Product Category	(3) Wattage	(4) Shape Series	(5) Dimming
HLL H	EX - Explosion Proof	20W (2,800 lm) 40W (5,600 lm) 60W (8,400 lm) 80W (11,200 lm)	H2 - 20/40W H4 - 40/60/80W	D - Dimmable N - Non-Dimmable
(6) Kelvin	(7) Beam Angle	(8) Cover Option	(9) Voltage	(10) Optional
3K - 3000 K 4K - 4000 K 5K - 5000 K (S)	120 - 120° (S)	Blank - Flat Glass (S) C- Spherical Glass Cover	Blank - U 100-277 HV - 480	Blank - Without Emergency Function EM - Emergency Back Up

(S) Standard

Accessories

Bracket



Metal Conduit

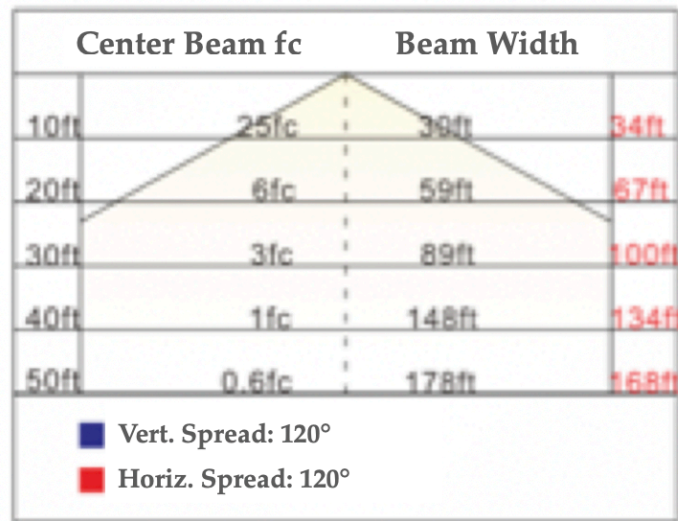


Bended Pipe

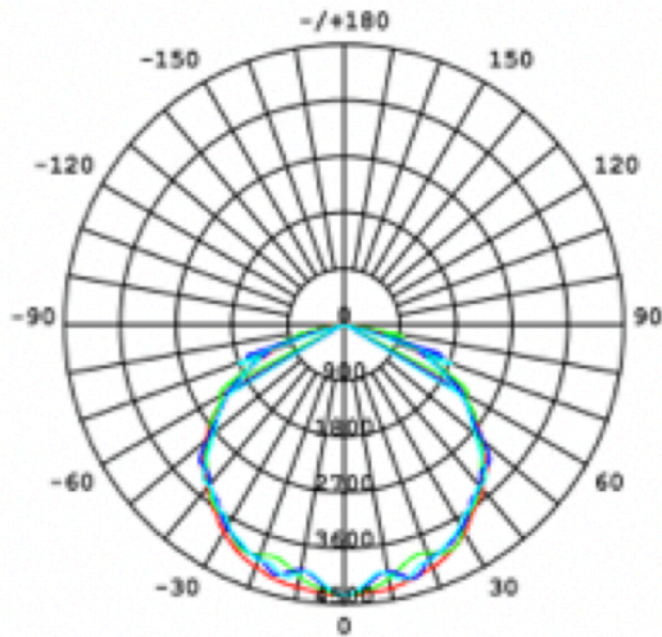


Light Distribution

120D



Photometric



120 Degree

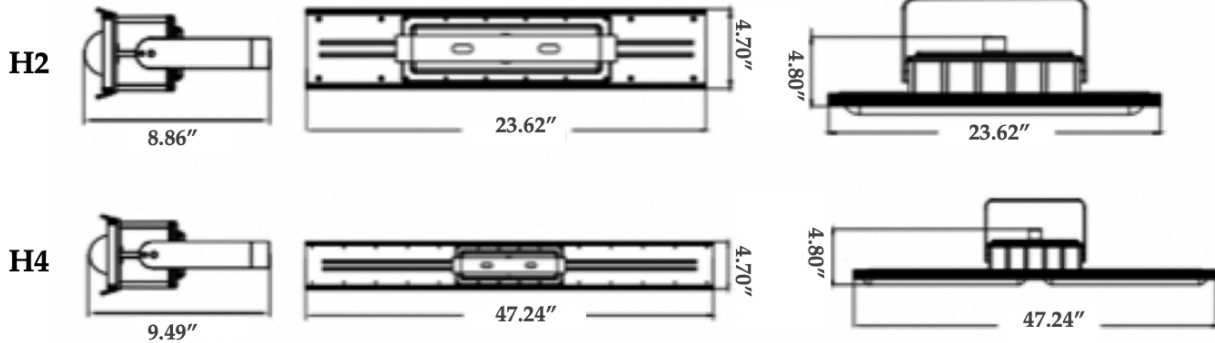
UNIT:cd

- C0/180.119.2
- C30/210.124.8
- C60/240.119.3
- C90/270.117.4

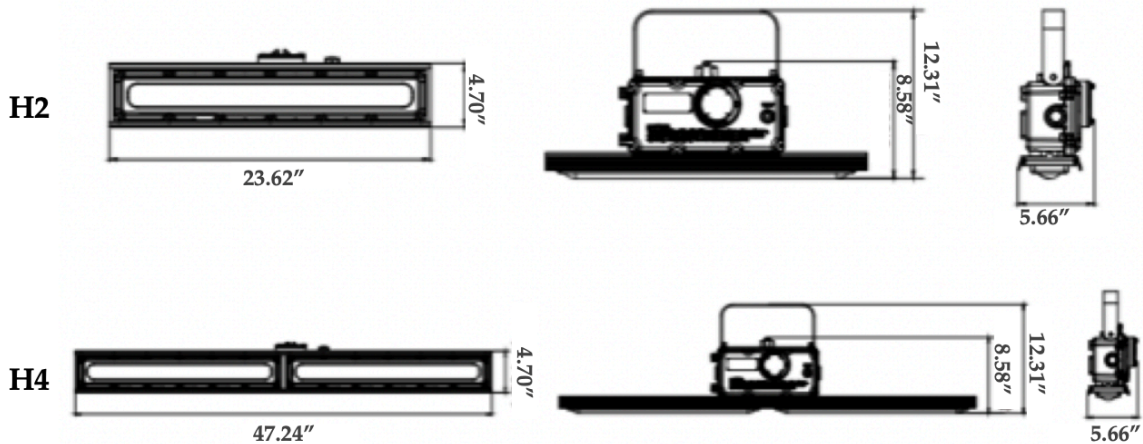
Average Beam Angle (50%):120.2 DEG

Product Dimensions

Regular Model



Side Opening Cover Model (Convex Glass)

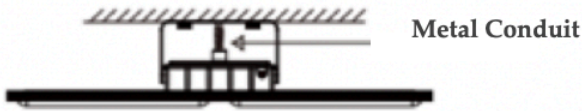


Packaging Information

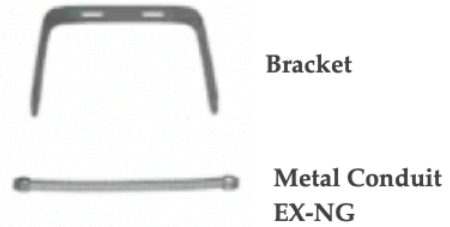
	H2	H4
Pieces	2	2
Fixture Dimensions	See Product Dimensions Drawing	See Product Dimensions Drawing
Package Dimensions	27.95 x 16.93 x 12.60 IN	51.97 x 16.54 x 12.99 IN
Net Fixture Weight	8.82 lb	12.13 lb
Gross Weight	22.60 lb	31.97 lb

Mounting Methods

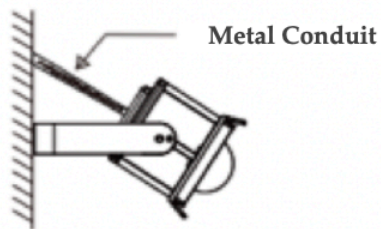
Option 1: Ceiling Mounting



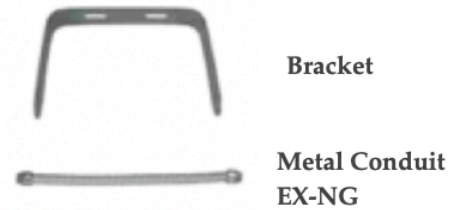
Accessory



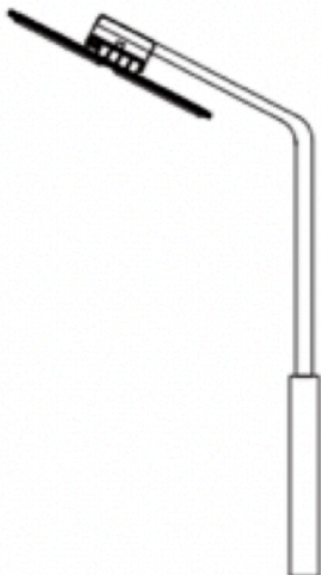
Option 2: Wall Mounting



Accessory



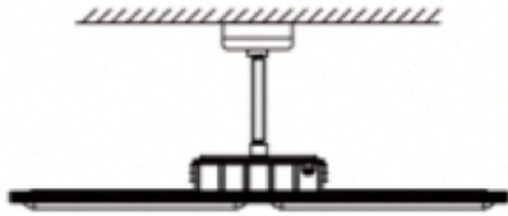
Option 3: Pole Mounting



Accessory



Option 4: Pendant Mounting



Accessory

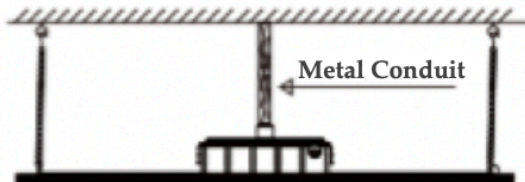


Junction Box
EX-HD51-KB1



Pole
Ex-Straight Pipe

Option 5: Pole Mounting



Accessory



Pendant Chain
Ex-Straight Chain



Metal Conduit
EX-NC