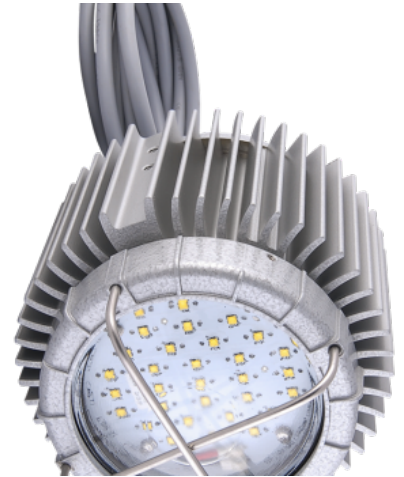




BPO LIGHTING
Hazardous Area Lighting

HLL HALX EX



Class 1 Division 1 

Key Features

- FEATURES:** Round Low Bay Area Light Area Light
Extremely Rugged
Compact
High lm/W
BAA (Buy American Act)
- OPTIONS:** 2 Body Sizes (EX & EXL)
10 Mounting Styles

Compliance

UL 844 Hazardous Locations
Class I Division 1 Groups C, D
Class I Division 2 Groups A, B, C, D
Class I Zone 2 Group IIB
Class II Division 1 Groups E, F
Class II Division 2 Groups E, F
Class II Zone 20, 21, or 22 Group II B
Class III
UL 1598 Suitable for Wet Locations
UL 1598A Marine Saltwater
CSA C22.2 No. 250.0
CSA C22.2 No. 137
IP66
1Ex d IIC T5 @-40°C to +55°C (-40°F to +131°F)



(BAA) Fully compliant with the Buy American Act, meeting the requirements for domestic manufacturing and material sourcing as outlined in 41 U.S.C. §§

Applications

Oil and Gas

Petroleum production and refining
Petroleum loading, storage, transportation and retail
Confined spaces with vapor accumulation
LNG and LPG handling
Oil tankers and shipping vessels
Fuel system testing facilities

Power Plants

Coal-fired power plants, including coal handling and storage areas
Gas-fired power plants with fuel storage
Nuclear power facilities in hazardous auxiliary areas
Biomass or waste-to-energy plants with combustible dust risks

Industrial

Industrial storage facilities
Paper mills, sawmills and lumber yards
Loading dock platforms
Manufacturing plants for heavy industrial goods
Warehouses handling flammable materials

Waste Treatment

Wastewater treatment plants
Pumping stations
Solid waste processing and incineration facilities
Sewage treatment with methane gas risks
Hazardous waste recycling centers

Mining

Operations and service areas
Underground mining tunnels with gas accumulation

Chemical Industry

Chemical production, processing and storage facilities
Solvent handling and mixing areas
Chemical research labs with flammable substances

Ocean, Marine and Aerospace

Offshore platform operation facilities and structures
Marine and saltwater environments
Aerospace clean rooms and production areas
Ocean vessel operations
Shipyards and dry docks
Aircraft hangars with fuel vapors

Metal Treatment

Paint facilities
Steel and aluminum factories
Metal smelting, foundry and fabrication
Welding and cutting areas with gas risks

Military and Defense

Ammunition storage and handling
Fuel depots and refueling stations
Explosives manufacturing
Vehicle maintenance bays in hazardous zones

Food, Alcohol and Agriculture Industry

Flour and fine particle production and storage
Food and distilling production
Grain storage elevators and silos
Breweries and fermentation tanks
Feed mills with dust risks
Fertilizer production and storage

Pharmaceutical Industry

Drug manufacturing and solvent handling
Clean rooms with volatile compounds
Pill coating and drying areas
Research and development labs

Other high humidity, high dust, high temperature and vapor locations

Specifications

Wattage	36W	60W	60 W
Body	EX		EXL

OPTICAL

Lumen Output	5200 lm	8700 lm
Lumens Per Watt	140 lm/W	145 lm/W
Color Temperature: CCT	5000K (Standard), 2800-5700K options	
CRI (Color Rendering Index)	> 70	
Beam Angle	120°	
Light Source	Samsung LEDs / R1	

ENVIRONMENTAL

Ambient Operating Temperature	-40°C to +55°C (-40°F to +131°F)	-40°C to +45°C (-40°F to +113°F)
Temperature Code	T5 (+55°C), T6 (+50°C)	T6 (+45°C)

MECHANICAL

Housing Material	Copper free aluminum alloy
Lens Diffuser	GM: Tempered borosilicate glass
Hardware	Marine grade stainless steel
Finish	Polyester powder coat finish
Mounting	SB: Swivel Bracket PM: Pendant Mount SAB: Stanchion Mount 25° SSB: Stanchion Mount 90° WAB: Wall Mount 25° WMB: Wall Mount 90° CMB: Ceiling Mount EMB: Eye-Bolt Mount SBB: Swivel Bracket PMB: Pendant Mount
Cable Entry	Classified for CID1 nickel plated brass adapter from M20 to 3/4" with 6' of wire
Warranty	5 Year Standard Warranty

ELECTRICAL

Lifespan	L70> 70,000 Operational Hours @ 25°C L70> 40,000 Operational Hours @ 55°C	L70> 100,000 Operational Hours @ 25°C L70> 50,000 Operational Hours @ 45°C
Input Voltage	Custom made 120-277VAC, 230-370VDC	MeanWell 90-295VAC/127-417VDC
Input Frequency	50/60Hz	
Power Factor	> 0.95	
THD (Total Harmonic Distortion)	< 30%	<20%
LED Driver	Custom made 120-277VAC, 230-370VDC	MeanWell 90-295VAC/127-417VDC
Surge Protection	1 KV	2KV
Power Protection	Short circuit, over temperature, over voltage	Short circuit, over temperature
Inrush Current	27A	45A

Ordering Logic

ORDER EXAMPLE: HALX EX SB GM RV 120 5K 36W

(1) Product	(2) Product Category	(3) Mounting	(4) Lens
HALX	EX - Explosion Proof (36W) EXL -Explosion Proof XL Body (36W & 60W)	SB - Swivel Bracket (S) PM - Pendant Mount SAB - Stanchion Mount 25° SSB - Stanchion Mount 90° WAB - Wall Mount 25° WMB - Wall Mount 90° CMB - Ceiling Mount EMB - Eye-Bolt Mount SBB - B-type Swivel Bracket PMB - B-type Pendant Mount	GM - Borosilicate Glass and Mesh Guard
(5) Voltage	(6) Optics	(7) Kelvin	(8) Wattage
RV - 120-277 VAC (36W) - 90-295 VAC ((60W) HV - 230-370 VDC (36W) - 127-417 VDC (60W)	120 - 120°	3K - 3000 K 4K - 4000 K 5K - 5000 K(S)	36W (5,200 lm) 60W (8,700 lm)

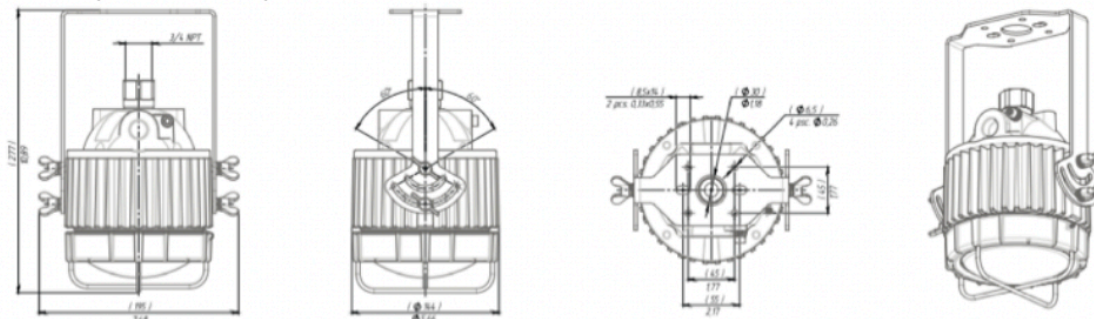
(S) Standard

Product Dimensions

HALX-EX-SB 36W

Swivel Bracket

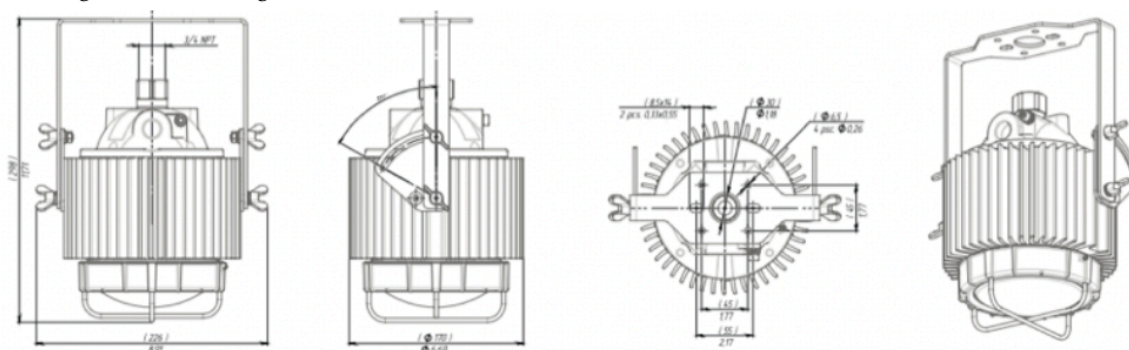
Fixture Weight: 8.16 lb [3.7 kg]



HALX-EX-SB 60W

Swivel Bracket

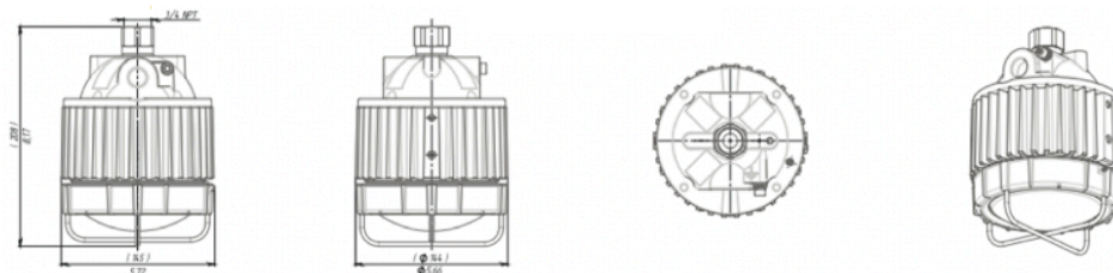
Fixture Weight: 12.15 lb [5.5 kg]



HALX-EX-PM 36W

Pedant Mount

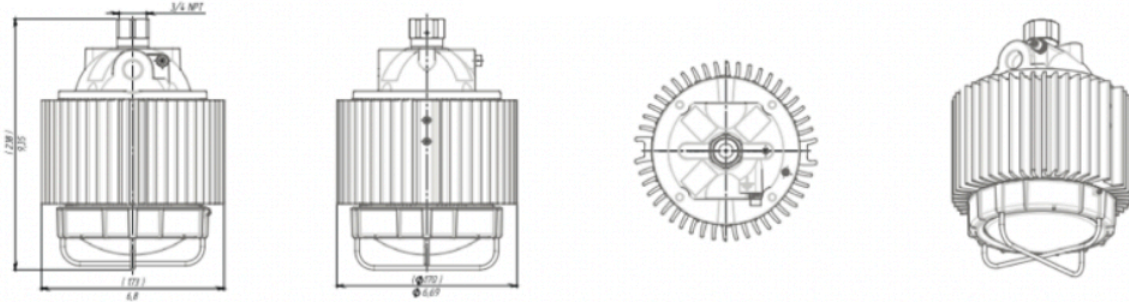
Fixture Weight: 6.97 lb [3.2 kg]



HALX-EX-PM 60W

Pedant Mount

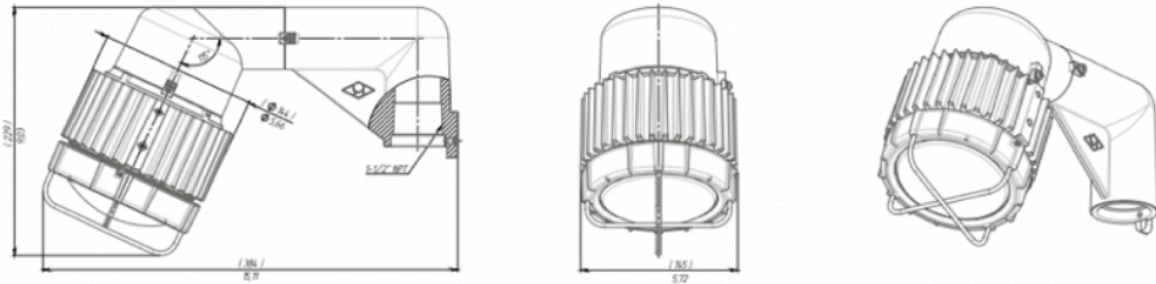
Fixture Weight: 10.67 lb [4.9 kg]



HALX-EX-SAB 36W

Stanchion Mount 25°

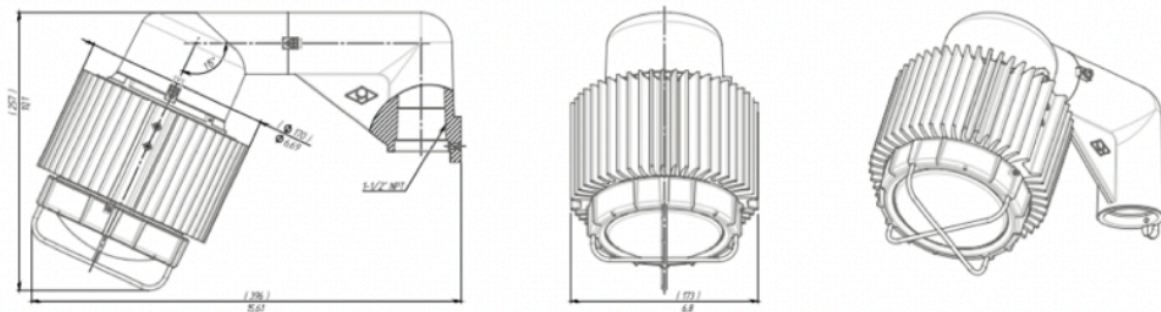
Fixture Weight: 9.90 lb [4.5 kg]



HALX-EX-SAB 60W

Stanchion Mount 25°

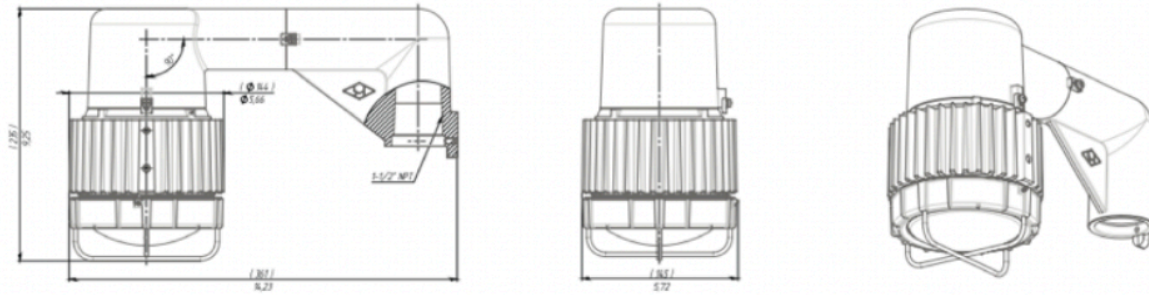
Fixture Weight: 13.60 lb [6.2 kg]



HALX-EX-SSB 36W

Stanchion Mount 90°

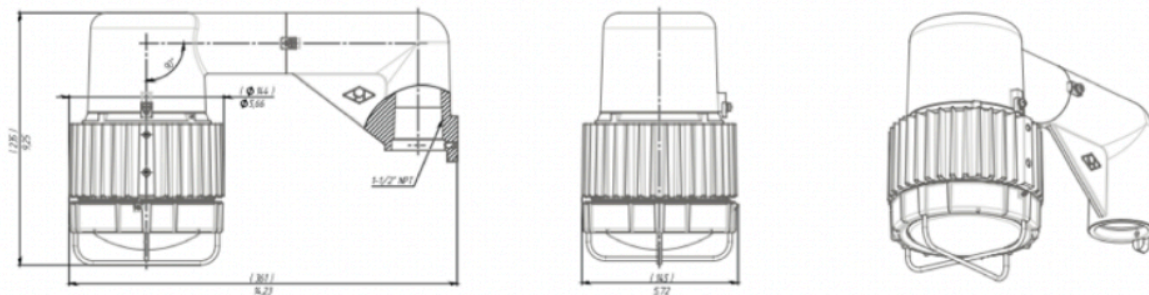
Fixture Weight: 10.41 lb [4.7 kg]



HALX-EX-SSB 60W

Stanchion Mount 90°

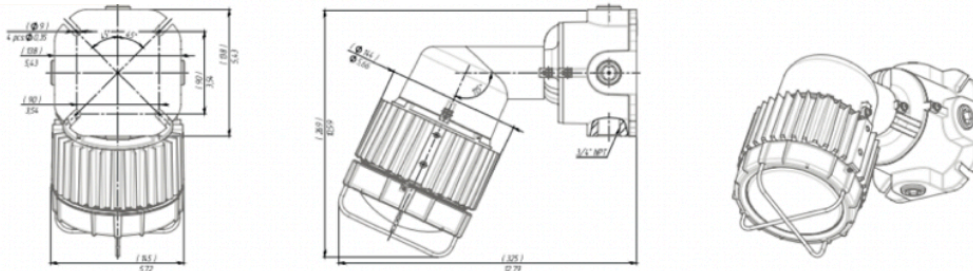
Fixture Weight: 14.11 lb [6.4 kg]



HALX-EX-WAB 36W

Wall Mount 25°

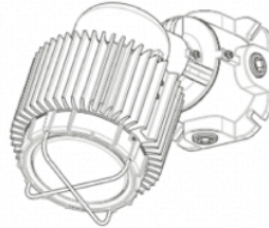
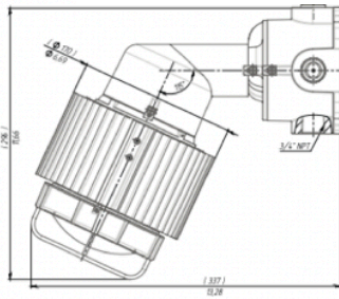
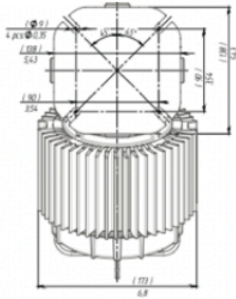
Fixture Weight: 11.68 lb [5.3 kg]



HALX-EX-WAB 60W

Wall Mount 25°

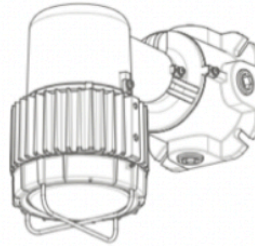
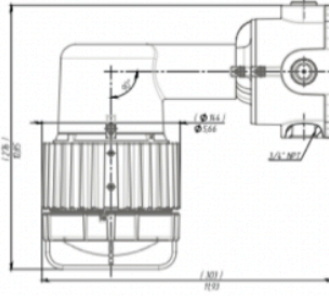
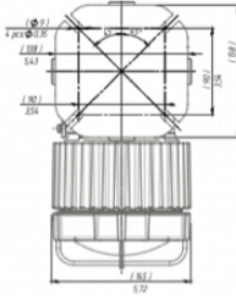
Fixture Weight: 15.37 lb [7.0 kg]



HALX-EX-WMB 36W

Wall Mount 90°

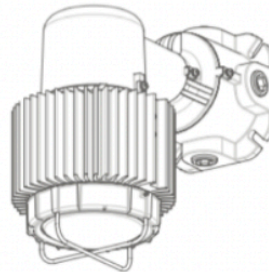
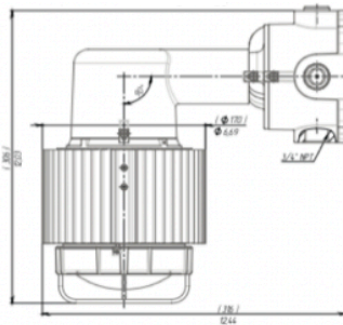
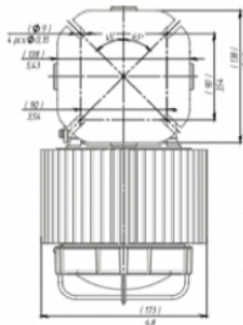
Fixture Weight: 12.17 lb [5.5 kg]



HALX-EX-WMB 60W

Wall Mount 90°

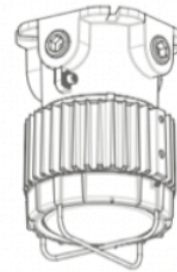
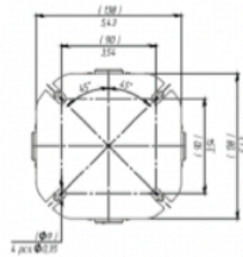
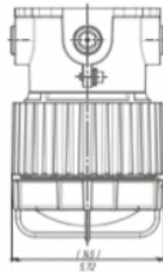
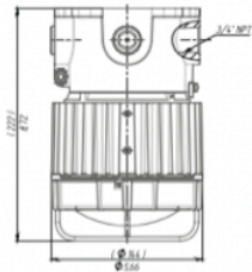
Fixture Weight: 12.17 lb [5.5 kg]



HALX-EX-CMB 36W

Ceiling Mount

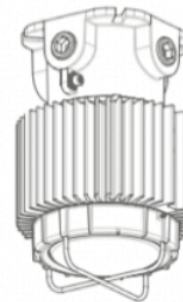
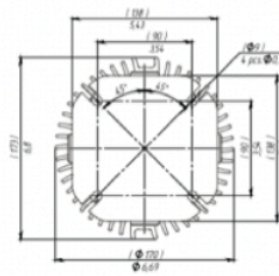
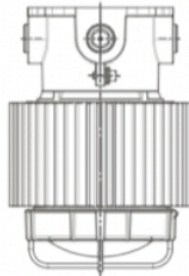
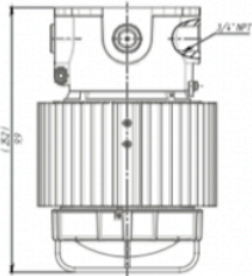
Fixture Weight: 9.66 lb [4.4 kg]



HALX-EX-CMB 60W

Ceiling Mount

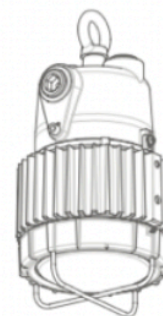
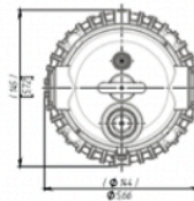
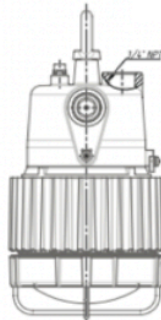
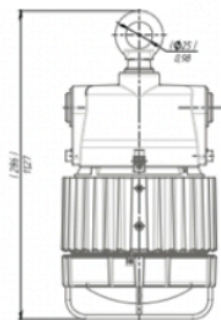
Fixture Weight: 13.36 lb [6.1 kg]



HALX-EX-EMB 36W

Eye-Bolt Mount

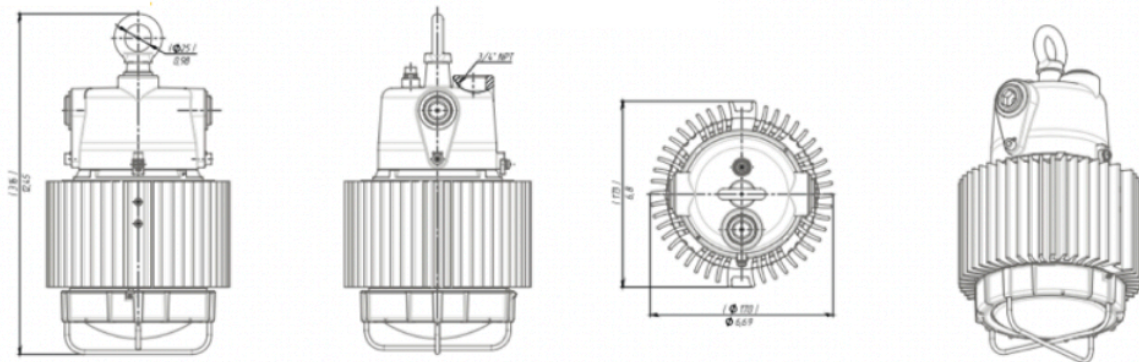
Fixture Weight: 8.77 lb [4.0 kg]



HALX-EX-EMB 60W

Eye-Bolt Mount

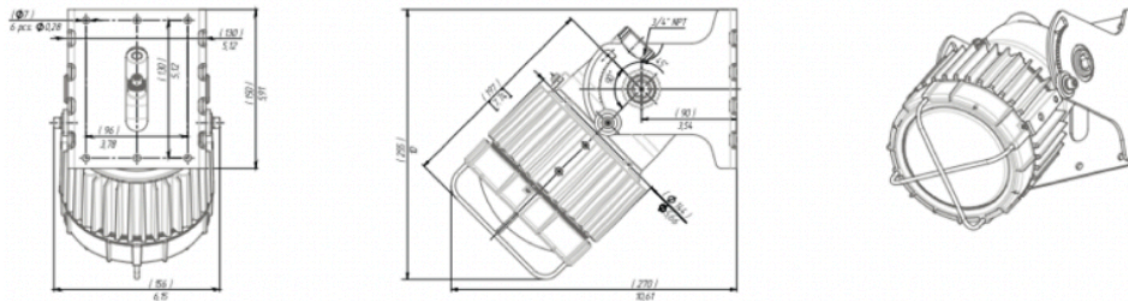
Fixture Weight: 12.41 lb [5.7 kg]



HALX-EX-SBB 36W

Swivel Bracket

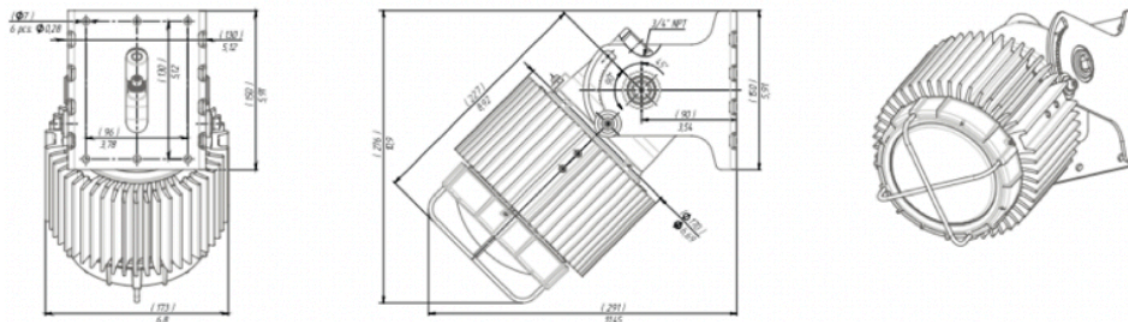
Fixture Weight: 10.60 lb [4.8 kg]



HALX-EX-SBB 60W

Swivel Bracket

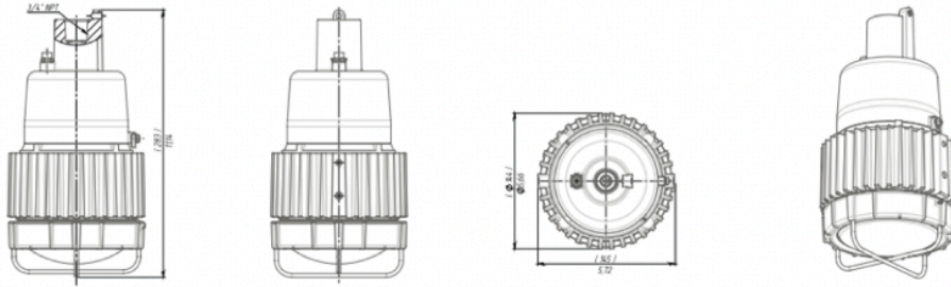
Fixture Weight: 14.29 lb [6.5 kg]



HALX-EX-PMB 36W

Pendant Mount

Fixture Weight: 8.28 lb [3.8 kg]



HALX-EX-PMB 36W

Pendant Mount

Fixture Weight: 11.97 lb [5.4 kg]

