



BPO LIGHTING
Hazardous Area Lighting

LPL EX



Class 1 Division 1 

Key Features

- FEATURES:** Round Low Bay
Extremely Rugged
Area Light Area Light
Low Profile
BAA (Buy American Act)
- OPTIONS:** White/Red/Yellow/Green Color
Low Voltage
4 Mounting Styles

Compliance

UL 844 Hazardous Locations
Class I Division 1 Groups C, D
Class I Division 2 Groups A, B, C, D
Class I Zone 2 Group IIC
Class II Division 1 Groups E, F
Class II Division 2 Groups E, F
Class II Zone 20, 21, or 22 Group II B
Class III
UL 1598 Suitable for Wet Locations
UL 1598A Marine Saltwater
CSA C22.2 No. 250.0
CSA C22.2 No. 137
IP66
1Ex d IIC T5 @-40°C to +45°C (-40°F to +113°F)



(BAA) Fully compliant with the Buy American Act, meeting the requirements for domestic manufacturing and material sourcing as outlined in 41 U.S.C. §§

Applications

Oil and Gas

Petroleum production and refining
Petroleum loading, storage, transportation and retail
Confined spaces with vapor accumulation
LNG and LPG handling
Oil tankers and shipping vessels
Fuel system testing facilities

Power Plants

Coal-fired power plants, including coal handling and storage areas
Gas-fired power plants with fuel storage
Nuclear power facilities in hazardous auxiliary areas
Biomass or waste-to-energy plants with combustible dust risks

Industrial

Industrial storage facilities
Paper mills, sawmills and lumber yards
Loading dock platforms
Manufacturing plants for heavy industrial goods
Warehouses handling flammable materials

Waste Treatment

Wastewater treatment plants
Pumping stations
Solid waste processing and incineration facilities
Sewage treatment with methane gas risks
Hazardous waste recycling centers

Mining

Operations and service areas
Underground mining tunnels with gas accumulation

Chemical Industry

Chemical production, processing and storage facilities
Solvent handling and mixing areas
Chemical research labs with flammable substances

Ocean, Marine and Aerospace

Offshore platform operation facilities and structures
Marine and saltwater environments
Aerospace clean rooms and production areas
Ocean vessel operations
Shipyards and dry docks
Aircraft hangars with fuel vapors

Metal Treatment

Paint facilities
Steel and aluminum factories
Metal smelting, foundry and fabrication
Welding and cutting areas with gas risks

Military and Defense

Ammunition storage and handling
Fuel depots and refueling stations
Explosives manufacturing
Vehicle maintenance bays in hazardous zones

Food, Alcohol and Agriculture Industry

Flour and fine particle production and storage
Food and distilling production
Grain storage elevators and silos
Breweries and fermentation tanks
Feed mills with dust risks
Fertilizer production and storage

Pharmaceutical Industry

Drug manufacturing and solvent handling
Clean rooms with volatile compounds
Pill coating and drying areas
Research and development labs

Other high humidity, high dust, high temperature and vapor locations

Specifications

Wattage

20W

OPTICAL

Lumen Output	2700 lm
Lumens Per Watt	130 lm/W
Color Temperature: CCT	5000K (standard), 3000-5000K, Red/Yellow/Green optional
CRI (Color Rendering Index)	> 70
Beam Angle	120°
Light Source	High Power OSRAM LEDs

ENVIRONMENTAL

Ambient Operating Temperature	-40°C to +45°C (-40°F to +113°F)
Temperature Code	T5 (+45°C)

MECHANICAL

Housing Material	Copper free aluminum alloy
Lens Diffuser	GM: Tempered borosilicate glass
Hardware	Marine grade stainless steel
Finish	Polyester powder coat finish
Mounting	SS: Surface Secured (Standard) UC: Universal Service HB: Wall Mount Bracket TR: Traffic Light Mounting Bracket
Cable Entry	Classified for CID1 nickel plated brass adapter from M20 to 3/4" NPT
Warranty	5 Year Standard Warranty

ELECTRICAL

Lifespan	L70> 70,000 Operational Hours @ 25°C L70> 40,000 Operational Hours @ 45°C
Input Frequency	50/60Hz
Power Factor	> 0.95
THD (Total Harmonic Distortion)	< 30%
LED Driver	Custom made 120-277VAC, 50/60Hz, 230-370VDC Meanwell 15-30 VDC
LED Driver Protection	Overload, over temperature, and short-circuit protection
Surge Protection	1kV
Inrush Current	15A

Ordering Logic

ORDER EXAMPLE: LPL EX SB GM RV 120 5K 20W S

(1) Product	(2) Product Category	(3) Mounting			(4) Lens
LPL	EX - Explosion Proof Rated Body	SS - Surface Secured (S) UC - Universal Surface HB - Wall Mount Bracket TR - Traffic Light Mounting Bracket			GM - Borosilicate glass and mesh guard
(5) Voltage		(6) Optics	(7) Kelvin	(8) Wattage	(9) Body Color
RV - 120-277 VAC, 50/60 Hz LV - 15-30 VDC		120 - 120°	3K - 3000 K 4K - 4000 K 5K - 5000 K (S) R - Red Y - Yellow G - Green	20W (2,500 lm)	S Silver (S) B Black

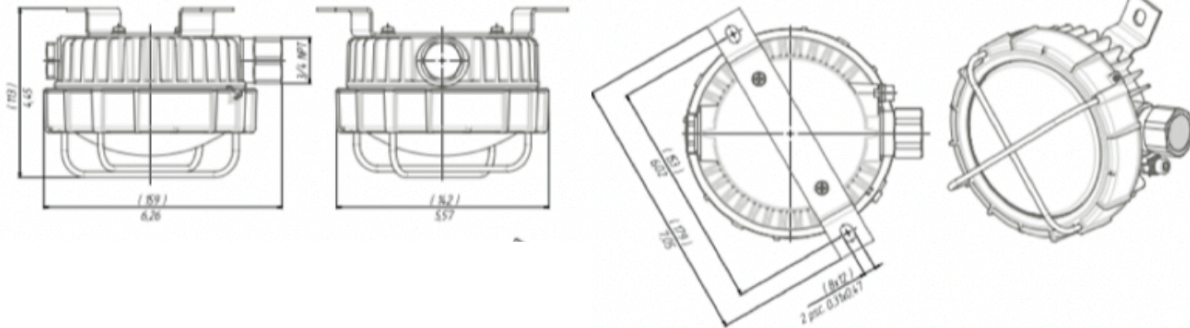
(S) Standard

Product Dimensions

LPL-EX-SS

SS Bracket

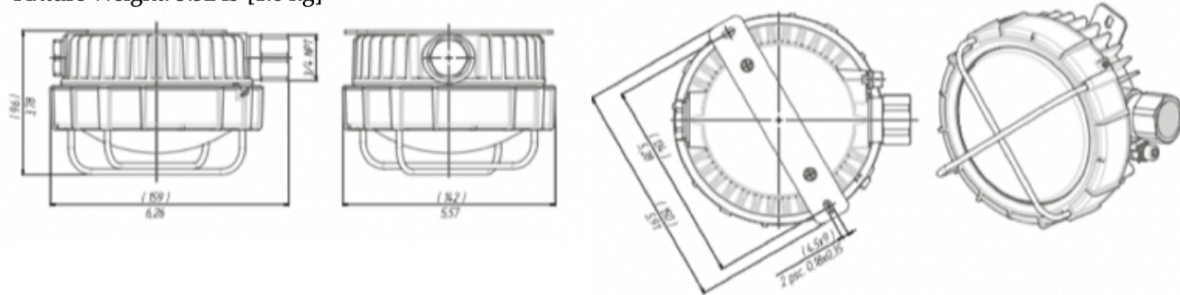
Fixture Weight: 3.58 lb [1.62 kg]



LPL-EX-UC

UC Bracket

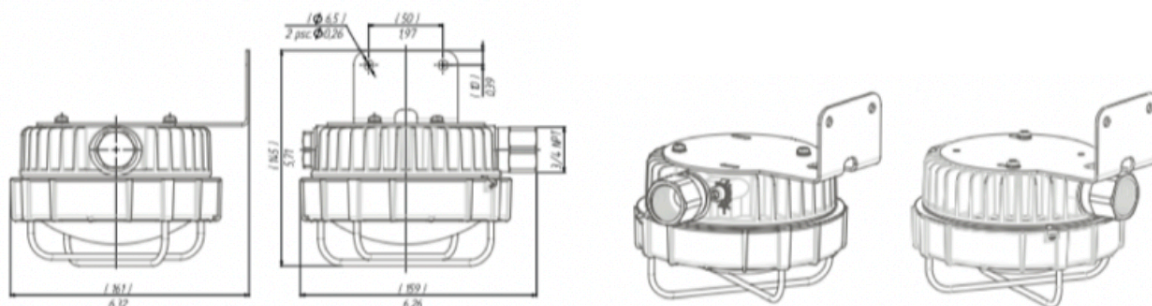
Fixture Weight: 3.52 lb [1.6 kg]



LPL-EX-HB

HB Bracket

Fixture Weight: 3.9 lb [1.77 kg]



Packaging Information

Pieces	1
Fixture Dimensions	5.7 x 3.7 IN (145 x 94 MM) Excluding mounting module and cable glands See Product Dimensions Drawing
Net Fixture Weight	SS Bracket 3.58 lb (1.62 kg) UC Bracket 3.52 lb (1.6 kg) HB Bracket 3.9 lb (1.77 kg) TR Bracket 3.6 lb (1.63 kg)