



**BPO LIGHTING**  
*Hazardous Area Lighting*

# LPL-HL



## Class 1 Division 2



### Key Features

- FEATURES:** Low Bay Area Light (**Extremely Rugged**)  
Low Profile  
BAA (Buy American Act)
- OPTIONS:** 4 Mounting Styles  
Military Grade Lens  
White/Red/Yellow/Green Colors

# Compliance

UL 844 Hazardous Locations  
Class I Division 2 Groups A, B, C, D  
Class I Zone 2 Group IIC  
Class II Division 1 Groups E, F  
Class II Division 2 Groups E, F  
Class II Zone 20, 21, or 22 Group II B  
Class III  
UL 1598 Suitable for Wet Locations  
UL 1598A Marine Saltwater  
CSA C22.2 No. 250.0  
CSA C22.2 No. 137  
IP66  
1Ex d IIC T5 @-40°C to +45°C (-40°F to +113°F)



**(BAA)** Fully compliant with the Buy American Act, meeting the requirements for domestic manufacturing and material sourcing as outlined in 41 U.S.C. §§

# Applications

## **Oil and Gas**

Petroleum production and refining  
Petroleum loading, storage, transportation and retail  
Confined spaces with vapor accumulation  
LNG and LPG handling  
Oil tankers and shipping vessels  
Fuel system testing facilities

## **Power Plants**

Coal-fired power plants, including coal handling and storage areas  
Gas-fired power plants with fuel storage  
Nuclear power facilities in hazardous auxiliary areas  
Biomass or waste-to-energy plants with combustible dust risks

## **Industrial**

Industrial storage facilities  
Paper mills, sawmills and lumber yards  
Loading dock platforms  
Manufacturing plants for heavy industrial goods  
Warehouses handling flammable materials

## **Waste Treatment**

Wastewater treatment plants  
Pumping stations  
Solid waste processing and incineration facilities  
Sewage treatment with methane gas risks  
Hazardous waste recycling centers

## **Mining**

Operations and service areas  
Underground mining tunnels with gas accumulation

## **Chemical Industry**

Chemical production, processing and storage facilities  
Solvent handling and mixing areas  
Chemical research labs with flammable substances

## **Ocean, Marine and Aerospace**

Offshore platform operation facilities and structures  
Marine and saltwater environments  
Aerospace clean rooms and production areas  
Ocean vessel operations  
Shipyards and dry docks  
Aircraft hangars with fuel vapors

## **Metal Treatment**

Paint facilities  
Steel and aluminum factories  
Metal smelting, foundry and fabrication  
Welding and cutting areas with gas risks

## **Military and Defense**

Ammunition storage and handling  
Fuel depots and refueling stations  
Explosives manufacturing  
Vehicle maintenance bays in hazardous zones

## **Food, Alcohol and Agriculture Industry**

Flour and fine particle production and storage  
Food and distilling production  
Grain storage elevators and silos  
Breweries and fermentation tanks  
Feed mills with dust risks  
Fertilizer production and storage

## **Pharmaceutical Industry**

Drug manufacturing and solvent handling  
Clean rooms with volatile compounds  
Pill coating and drying areas  
Research and development labs

**Other high humidity, high dust, high temperature and vapor locations**

# Specifications

Wattage

20W

## OPTICAL

Lumen Output	2600 lm
Lumens Per Watt	125 lm/W
Color Temperature: CCT	5000K (standard), 3000-5000K, Red/Yellow/Green optional
CRI (Color Rendering Index)	> 70
Beam Angle	120°
Light Source	High Power OSRAM LEDs

## ENVIRONMENTAL

Ambient Operating Temperature	-40°C to +45°C (-40°F to +113°F)
Temperature Code	T5 (+45°C)

## MECHANICAL

Housing Material	Copper free aluminum alloy
Lens Diffuser	Military Grade UL94 V-0 rated Lexan
Hardware	Marine grade stainless steel
Finish	Polyester powder coat finish
Mounting	<b>SS:</b> Surface Secured (Standard) <b>UC:</b> Universal Surface <b>HB:</b> Wall Mount Bracket <b>TR:</b> Traffic Light Mounting Bracket
Cable Entry	Classified for CID2 nickel plated brass adapter from M20 to 3/4" NPT
Warranty	5 Year Standard Warranty

## ELECTRICAL

Lifespan	L70> 70,000 Operational Hours @ 25°C L70> 40,000 Operational Hours @ 45°C
Input Frequency	50/60Hz
Power Factor	> 0.95
THD (Total Harmonic Distortion)	< 30%
LED Driver	Custom made 120-277VAC, 50/60Hz; 230-370VDC Meanwell 15-30VDC
LED Driver Protection	Overload, over temperature and short-circuit protection
Surge Protection	1kV
Inrush Current	15A

## Ordering Logic

ORDER EXAMPLE: LPL HL SS GM RV 120 5K 20W S

(1) Product	(2) Product Category	(3) Mounting	(4) Lens	
LPL-HL	HL - Hazardous Location Rated Body	SS - Surface Secured (S) UC - Universal Surface HB - Wall Mount Bracket TR - Traffic Light Mounting Bracket	GM - Borosilicate glass and mesh guard	
(5) Voltage	(6) Optics	(7) Kelvin	(8) Wattage	(9) Body Color
RV - 120-277 VAC, 50/60 Hz LV - 15-30 VDC	120 - 120°	3K - 3000 K 4K - 4000 K 5K - 5000 K(S) R - Red Y - Yellow G - Green	20W (2600 lm)	S Silver (S) B Black

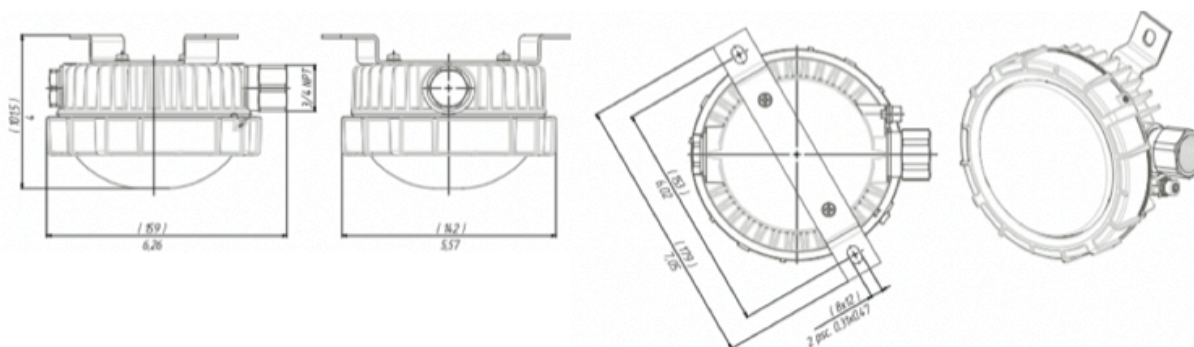
(S) Standard

# Product Dimensions

## LPL-HL-SS

SS Bracket

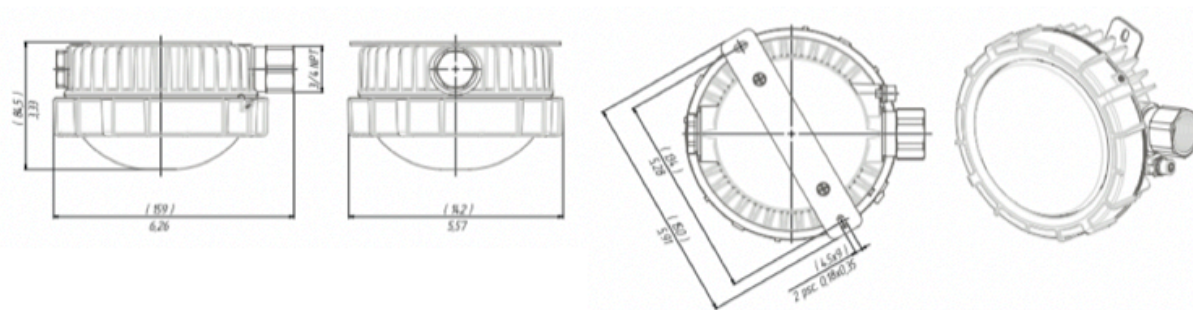
Fixture Weight: 2.78 lb [1.26 kg]



## LPL-HL-UC

UC Bracket

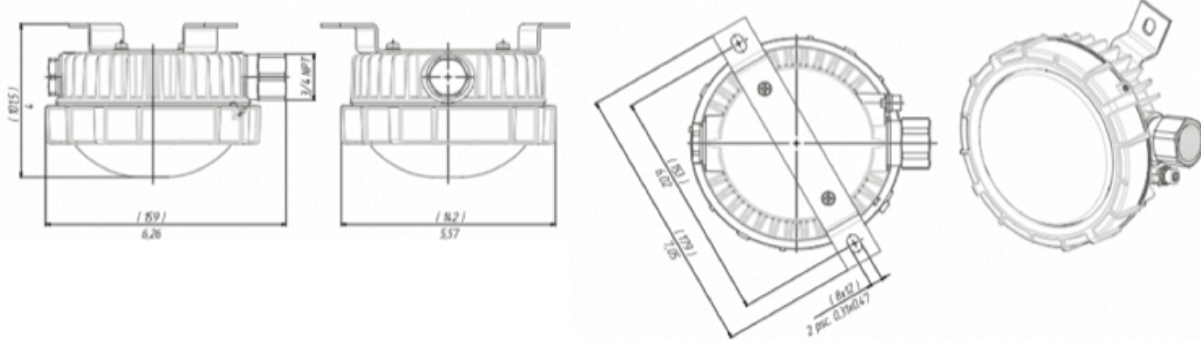
Fixture Weight: 2.72 lb [1.24 kg]



## LPL-HL-SS

SS Bracket

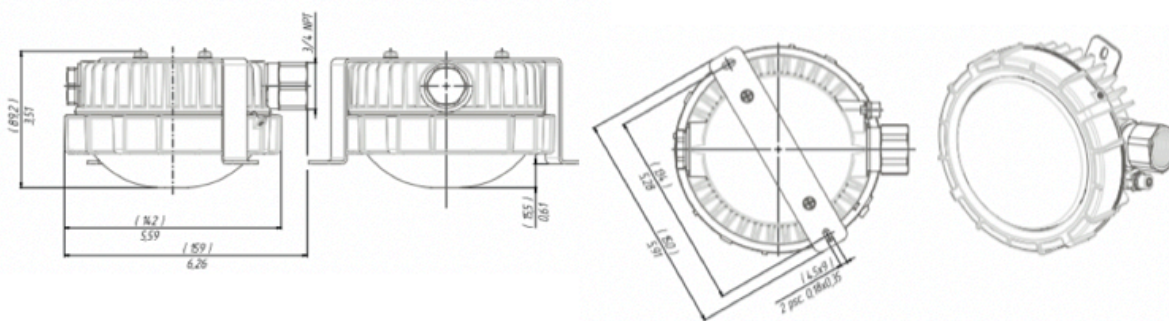
Fixture Weight: 2.78 lb [1.26 kg]



## LPL-HL-TR

TR Bracket

Fixture Weight: 2.81 lb [1.27 kg]



## Packaging Information

Pieces	1
Fixture Dimensions	5.7 x 3.25 IN (145 x 83 MM) Excluding mounting module and cable glands See Product Dimensions Drawing
Net Fixture Weight	SS Bracket 2.78 lb (1.26 kg) UC Bracket 2.72 lb (1.24 kg) HB Bracket 3.1 lb (1.41 kg) TR Bracket 2.81 lb (1.27 kg)