



BPO LIGHTING
Hazardous Area Lighting

HLL G



Flat Glass



Flat Glass
With Wire Guard



Spherical Glass
With Wire Guard
(Non-Wire Guard also Available)



Class 1 Division 1

Key Features

- FEATURES:** Jelly Jar (Rugged)
4 Mounting Styles
Good heat disbursement
- OPTIONS:** 40°, 60°, 90° or 120°

Compliance

UL 844 Hazardous Locations
Class I Division 1 Groups C, D
Class I Division 2 Groups A, B, C, D
Class I Zone 1 Group IIB
Class II Division 1 Groups E, F, G
Class II Division 2 Groups F, G
Class II Zone 21 Group IIIC
Class III

UL 1598 Suitable for Wet Locations
CSA C22.2 No. 250.0:2021 Ed.5
CSA C22.2 No. 137:2018 Ed.2
IP66
IK10
ETL (ATM for Report 105342415DAL-001/003)
ABS

Applications

Oil and Gas

Petroleum production and refining
Petroleum loading, storage, transportation and retail
Confined spaces with vapor accumulation
LNG and LPG handling
Oil tankers and shipping vessels
Fuel system testing facilities

Power Plants

Coal-fired power plants, including coal handling and storage areas
Gas-fired power plants with fuel storage
Nuclear power facilities in hazardous auxiliary areas
Biomass or waste-to-energy plants with combustible dust risks

Industrial

Industrial storage facilities
Paper mills, sawmills and lumber yards
Loading dock platforms
Manufacturing plants for heavy industrial goods
Warehouses handling flammable materials

Waste Treatment

Wastewater treatment plants
Pumping stations
Solid waste processing and incineration facilities
Sewage treatment with methane gas risks
Hazardous waste recycling centers

Mining

Operations and service areas
Underground mining tunnels with gas accumulation

Chemical Industry

Chemical production, processing and storage facilities
Solvent handling and mixing areas
Chemical research labs with flammable substances

Ocean, Marine and Aerospace

Offshore platform operation facilities and structures
Marine and saltwater environments
Aerospace clean rooms and production areas
Ocean vessel operations
Shipyards and dry docks
Aircraft hangars with fuel vapors

Metal Treatment

Paint facilities
Steel and aluminum factories
Metal smelting, foundry and fabrication
Welding and cutting areas with gas risks

Military and Defense

Ammunition storage and handling
Fuel depots and refueling stations
Explosives manufacturing
Vehicle maintenance bays in hazardous zones

Food, Alcohol and Agriculture Industry

Flour and fine particle production and storage
Food and distilling production
Grain storage elevators and silos
Breweries and fermentation tanks
Feed mills with dust risks
Fertilizer production and storage

Pharmaceutical Industry

Drug manufacturing and solvent handling
Clean rooms with volatile compounds
Pill coating and drying areas
Research and development labs

Other high humidity, high dust, high temperature and vapor locations

Specifications

Wattage	10W	20W	30W	40W	50W
---------	-----	-----	-----	-----	-----

OPTICAL

Lumen Output	1140 lm	2280 lm	3300 lm	4400 lm	5450 lm
Lumens Per Watt	114 lm/W	114 lm/W	110 lm/W	110 lm/W	109 lm/W
Color Temperature: CCT	5000K (standard), 2700-7000K optional				
CRI (Color Rendering Index)	>70				
Beam Angle	120° Standard 40°, 60°, 90°option				
Dimming	0-10V dimming				

ENVIRONMENTAL

Ambient Operating Temperature	-40°C to 65°C (-40°F to 149°F). T4: -40°C to 40°C (-40°F to 104°F)
Temperature Code	T4 (40°C)

MECHANICAL

Housing Material	Copper-free aluminum
Lens Diffuser	Tempered Glass
Hardware	Stainless Steel
Mounting	Ceiling, Pole, Pendant, Wall
Cable Entry	Top outlet: 3/4" NPT (standard). M25 Option Side outlet is 1/2" NPT or M25 (Option)
Warranty	5 Year Standard Warranty

ELECTRICAL

Lifespan	L70> 150,000 Operational Hours @ 55°C
Input Voltage	100-277VAC
Input Frequency	50/60Hz
Power Factor	> 0.95

Ordering Logic

ORDER EXAMPLE: HLL G EX 30W G D 5K 120 C

(1) Product	(2) Product Category	(3) Wattage	(4) Shape Series	(5) Dimming
HLL G	EX - Explosion Proof	10W (1140 LM) 20W (2280 LM) 30W (3300 LM) 40W (4400 LM) 50W (5450 LM)	G	D - Dimmable N - Non-Dimmable
(6) Kelvin		(7) Beam Angle		(8) Cover Option
3K - 3000 K		40 - 40°		C - Spherical Glass
4K - 4000 K		60 - 60°		
5K - 5000 K (S)		90 - 90°		
		120 - 120° (S)		

(S) Standard

Accessories



Junction Box



Installation Hook



Pendant Direction Adapter



Winding Swing Pipe



Straight Pipe



90° Pole Support



Chain



25° Pole Support



Lamp Shade



90° Arm to Junction Box



25° Arm to Junction Box

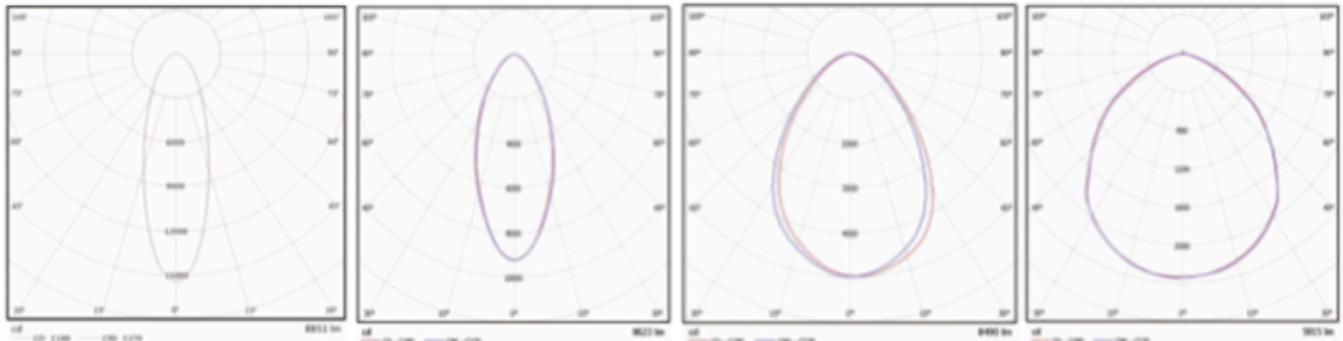


Cut-off Lamp Shade



Metal Conduit

Light Distribution



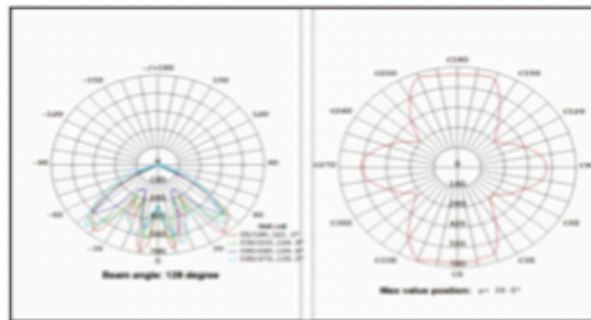
Beam Angle 40°

Beam Angle 60°

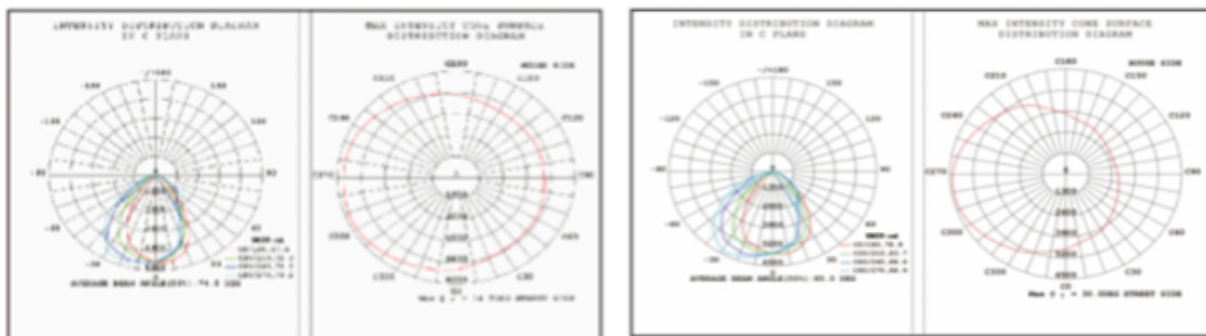
Beam Angle 90°

Beam Angle 120°

Flat Glass Lens



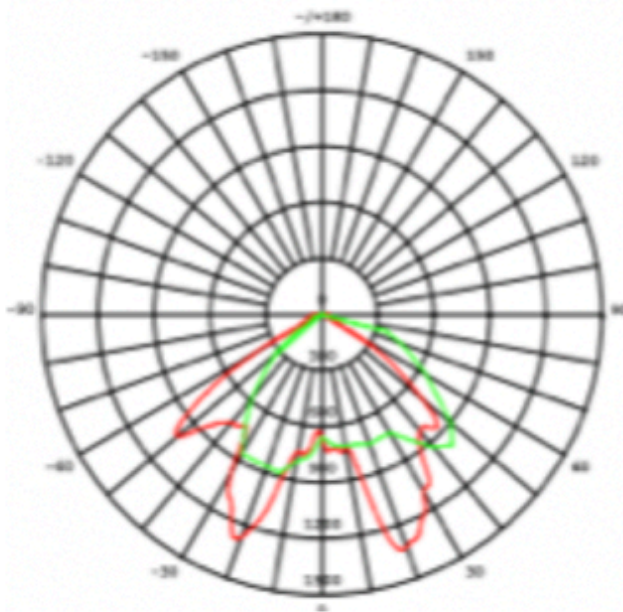
Spherical Glass Lens



Spherical Glass Lens with Lampshade

Spherical Glass Lens with Cut-Off Lampshade

Photometric



120 Degree

UNIT:cd

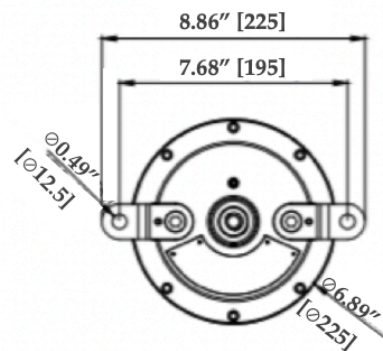
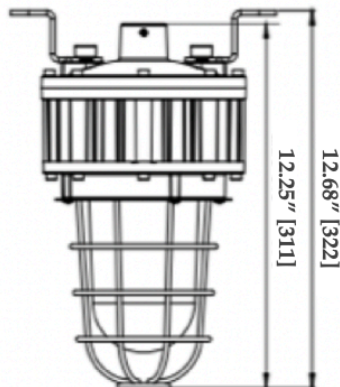
- V0.0DEG PLAN. 118.7

- H0.0DEG PLAN. 123.5

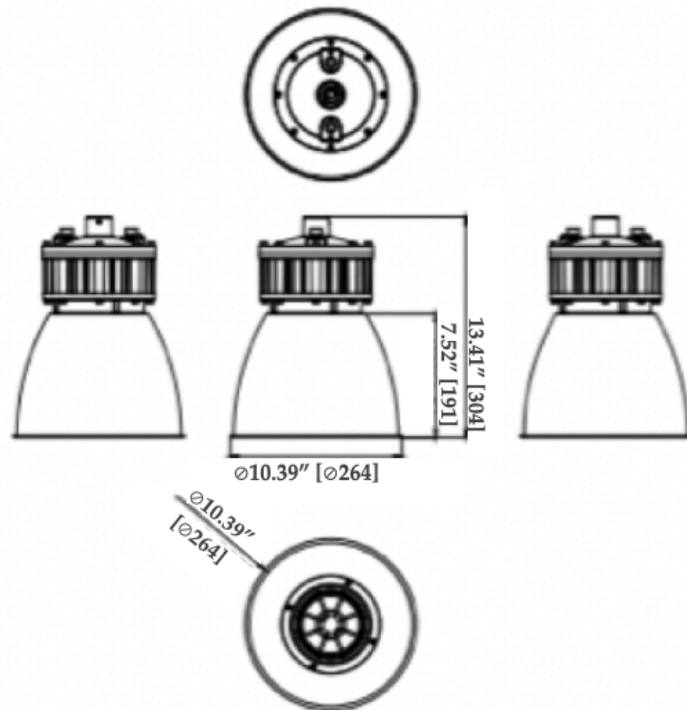
Average Beam Angle (50%):121.1 DEG

Product Dimensions

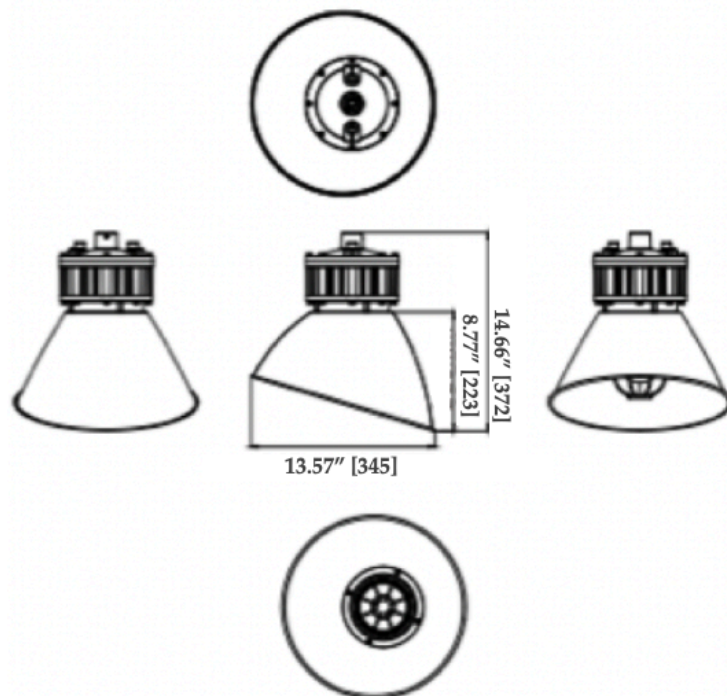
With Spherical Glass and Wire Guard



With Lamp Shade



With Cut-off Lamp Shade

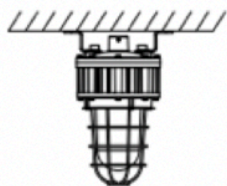


Packaging Information

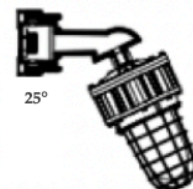
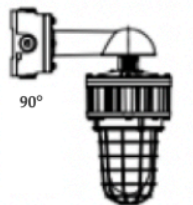
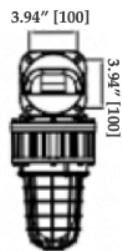
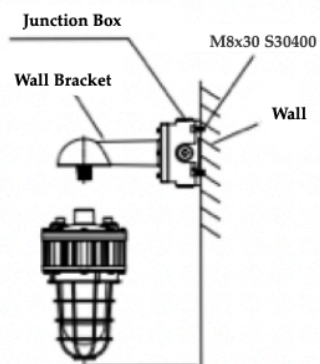
Pieces	1
Fixture Dimensions	See Product Dimensions Drawing
Package Dimensions	W/Flat Glass 14.96 x 10.63 x 10.63 IN (380 x 270 x 270 MM) W/Spherical Glass and Wire Guard 15.75 x 11.02 x 11.02 IN (400 x 280 x 280 MM) W/25° Pole Stanchion 20.08 x 22.05 x 10.24 IN 510 x 560 x 260 MM
Net Fixture Weight	W/Flat Glass 10.71 lb (4.86 kg) W/Spherical Glass and Wire Guard 11.82 lb (5.36 kg) W/25° Pole Stanchion 14.33 lb (6.5 kg)
Gross Weight	W/Flat Glass 11.46 lb (5.2kg) W/Spherical Glass and Wire Guard 13.89 lb (6.3 kg) W/25° Pole Stanchion 17.64 lb (8 kg)

Mounting Methods

Option 1: Ceiling Mounting



Option 2: Wall Mounting



Accessory

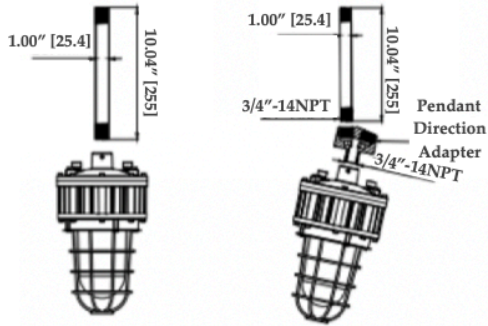


90° Stanchion Arm

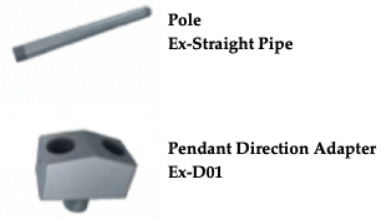


25° Stanchion Arm

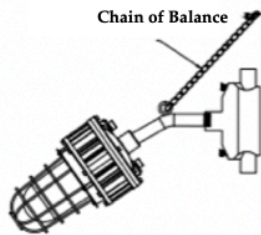
Option 3: Pendant Mounting (Vertical)



Accessory



Option 4: Pendant Mounting (Non-Vertical)



Accessory

