



**BPO LIGHTING**  
*Hazardous Area Lighting*

**TL HL**



**Class 1 Division 2** 

## Key Features

- FEATURES:** Round Traffic Light (Rugged)  
Horizontal or Vertical  
BAA (Buy American Act)
- OPTIONS:** 4 Mounting Styles  
Military Grade Lens  
1, 2 or 3 Eyes  
R, RG, RGY Color Combinations

# Compliance

UL 844 Hazardous Locations  
Class I Division 2 Groups A, B, C, D  
Class I Zone 2 Group IIC  
Class II Division 1 Groups E, F  
Class II Division 2 Groups E, F  
Class II Zone 20, 21, or 22 Group II B  
Class III  
UL 1598 Suitable for Wet Locations  
UL 1598A Marine Saltwater  
CSA C22.2 No. 250.0  
CSA C22.2 No. 137  
IP66  
1Ex d IIC T5 @-40°C to +45°C (-40°F to +113°F)



**(BAA)** Fully compliant with the Buy American Act, meeting the requirements for domestic manufacturing and material sourcing as outlined in 41 U.S.C. §§

# Applications

## Oil and Gas

Petroleum production and refining  
Petroleum loading, storage, transportation and retail  
Confined spaces with vapor accumulation  
LNG and LPG handling  
Oil tankers and shipping vessels  
Fuel system testing facilities

## Power Plants

Coal-fired power plants, including coal handling and storage areas  
Gas-fired power plants with fuel storage  
Nuclear power facilities in hazardous auxiliary areas  
Biomass or waste-to-energy plants with combustible dust risks

## Industrial

Industrial storage facilities  
Paper mills, sawmills and lumber yards  
Loading dock platforms  
Manufacturing plants for heavy industrial goods  
Warehouses handling flammable materials

## Waste Treatment

Wastewater treatment plants  
Pumping stations  
Solid waste processing and incineration facilities  
Sewage treatment with methane gas risks  
Hazardous waste recycling centers

## Mining

Operations and service areas  
Underground mining tunnels with gas accumulation

## Chemical Industry

Chemical production, processing and storage facilities  
Solvent handling and mixing areas  
Chemical research labs with flammable substances

## Ocean, Marine and Aerospace

Offshore platform operation facilities and structures  
Marine and saltwater environments  
Aerospace clean rooms and production areas  
Ocean vessel operations  
Shipyards and dry docks  
Aircraft hangars with fuel vapors

## Metal Treatment

Paint facilities  
Steel and aluminum factories  
Metal smelting, foundry and fabrication  
Welding and cutting areas with gas risks

## Military and Defense

Ammunition storage and handling  
Fuel depots and refueling stations  
Explosives manufacturing  
Vehicle maintenance bays in hazardous zones

## Food, Alcohol and Agriculture Industry

Flour and fine particle production and storage  
Food and distilling production  
Grain storage elevators and silos  
Breweries and fermentation tanks  
Feed mills with dust risks  
Fertilizer production and storage

## Pharmaceutical Industry

Drug manufacturing and solvent handling  
Clean rooms with volatile compounds  
Pill coating and drying areas  
Research and development labs

**Other high humidity, high dust, high temperature and vapor locations**

# Specifications

Wattage	15W	30W	45W
---------	-----	-----	-----

## OPTICAL

Lumen Output	N/A	N/A	N/A
Lumens Per Watt	N/A	N/A	N/A
Color Temperature: CCT	R: Red RG: Red/Green RYG: Red/Yellow/Green		
CRI (Color Rendering Index)	> 70		
Beam Angle	120°		
Light Source	XTE CREE		

## ENVIRONMENTAL

Ambient Operating Temperature	-40°C to +45°C (-40°F to +113°F)		
Temperature Code	T5 (+55°C)	T5 (+55°C)	T5 (+55°C)

## MECHANICAL

Housing Material	Copper free aluminum alloy
Lens Diffuser	Military Grade UL94 V-0 rated Lexan Tempered clear borosilicate glass
Hardware	Marine grade stainless steel
Finish	Polyester powder coat finish
Mounting	<b>TB:</b> Pole Mount Vertical <b>TBH:</b> Pole Mount Horizontal <b>UC:</b> Universal Mount Vertical <b>UCH:</b> Universal Mount Horizontal
Cable Entry	Classified for CID2 nickel plated brass adapter from M20 to 3/4" with 6' of wire
Warranty	5 Year Standard Warranty

Lifespan	L70> 70,000 Operational Hours (RV) @ 25°C L70> 100,000 Operational Hours (LV) @ 25°C L70> 40,000 Operational Hours @ 55°C		
Input Frequency	50/60Hz		
Power Factor	> 0.95		
Input Power (+25°)	20W	40W	60W
THD (Total Harmonic Distortion)	< 30%		
LED Driver	Custom made 100-280VAC, 50/60Hz, 230-370VDC, 15-36VDC (LV)		
LED Driver Protection	Overload, short-circuit protection		
Surge Protection	1kV (Except LLLV)		
Inrush Current	15A	30A	45A

## Ordering Logic

ORDER EXAMPLE: TL HL TB SPC RV 120 RG 30W B 2E

(1) Product	(2) Product Category	(3) Mounting			(4) Lens	
TL HL	HL - Hazardous Location Rated Body	TB - Pole Mount Vertical <b>(S)</b>	TBH - Pole Mount Horizontal	UC - Universal Mount Vertical	UCH - Universal Mount Horizontal	SPC - Special Polycarbonate Lens
(5) Voltage	(6) Optics	(7) Color		(8) Wattage	(9) Body Color	(10) Eye
RV - 120-277 VAC, 50/60 Hz	120 - 120°	R - Red	15W (5,200 lm) 1 Eye	B - Black	1E - 1 Eye	
LV - Low Voltage 12 VDC (SO)		RG - Red/Green	30W (8,700 lm) 2 Eye		2E - 2 Eye	
		RYG - Red/Yellow/Green	45W (8,700 lm) 3 Eye		3E - 3 Eye	

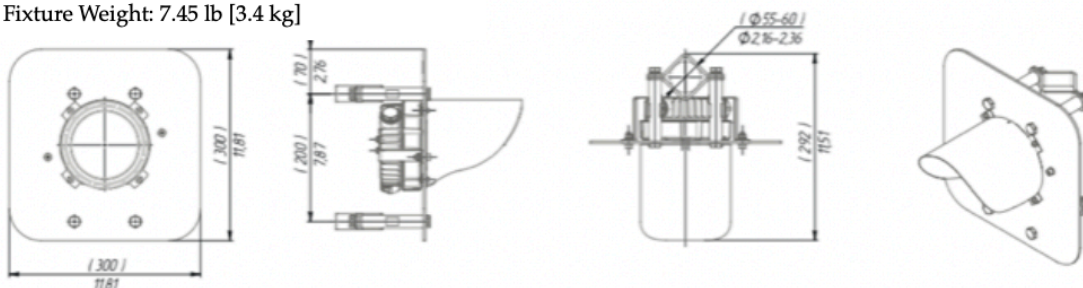
**(S) Standard**

# Product Dimensions

## TL-HL-TB 15W

TB Bracket

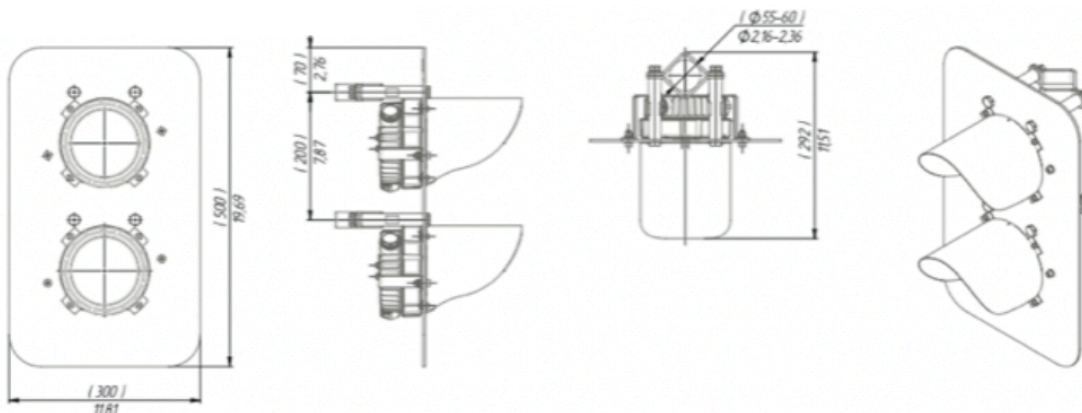
Fixture Weight: 7.45 lb [3.4 kg]



## TL-HL-TB 30W

TB Bracket

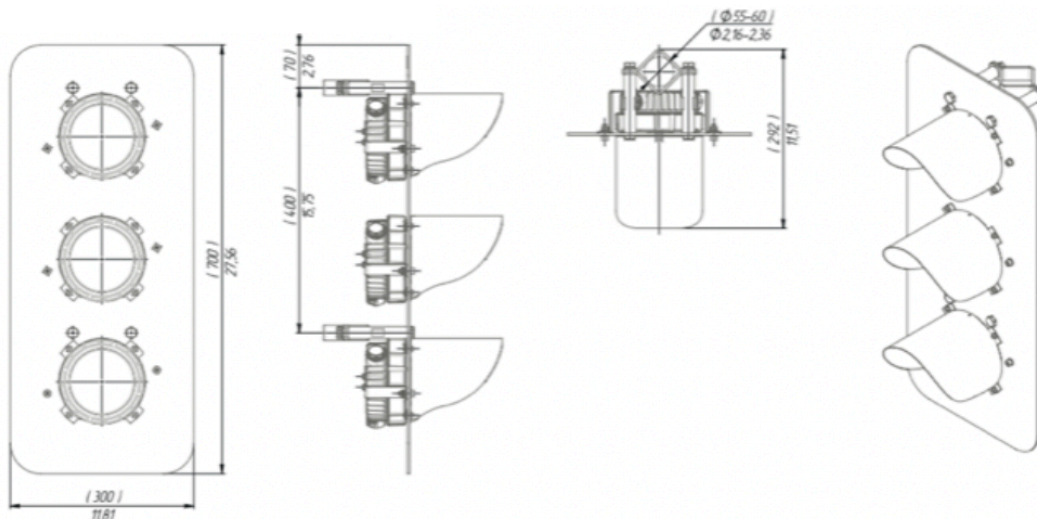
Fixture Weight: 12.0 lb [5.5 kg]



## TL-HL-TB 45W

TB Bracket

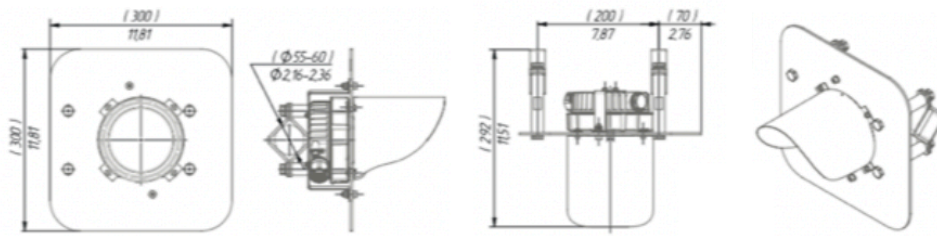
Fixture Weight: 16.6 lb [7.5 kg]



**TL-HL-TBH 15W**

TBH Bracket

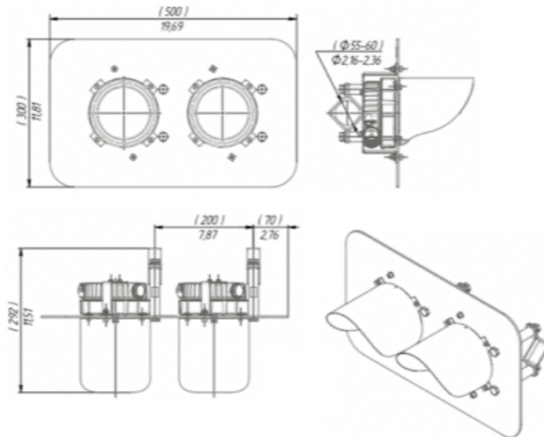
Fixture Weight: 7.45 lb [3.4 kg]



**TL-HL-TBH 30W**

TBH Bracket

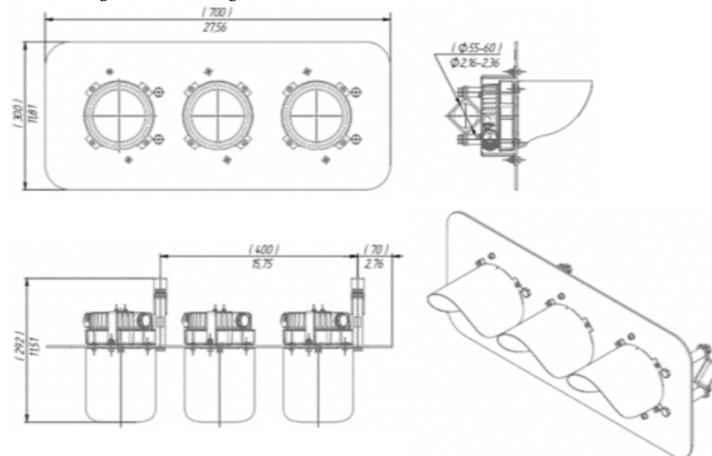
Fixture Weight: 12.0 lb [5.5 kg]



**TL-HL-TBH 45W**

TBH Bracket

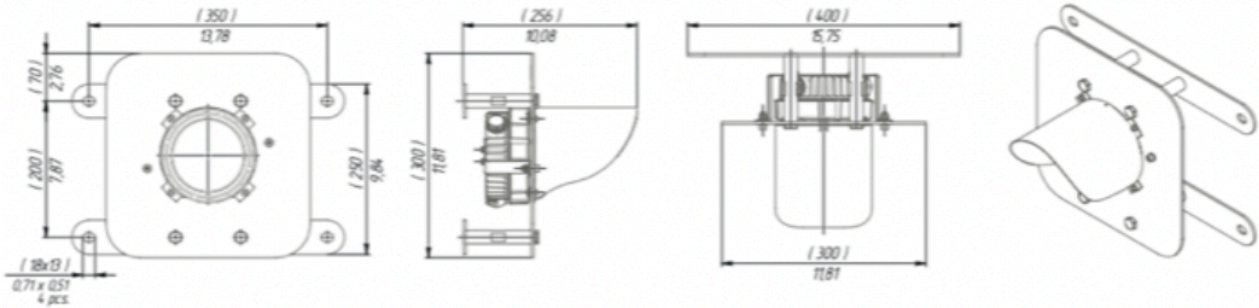
Fixture Weight: 16.6 lb [7.5 kg]



### TL-HL-UC 15W

UC Bracket

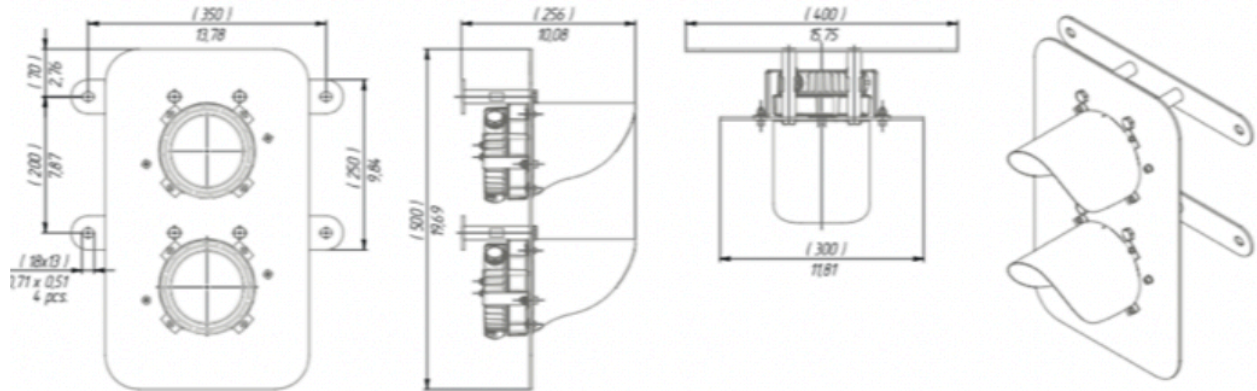
Fixture Weight: 8.93 lb [4.1 kg]



### TL-HL-UC 30W

UC Bracket

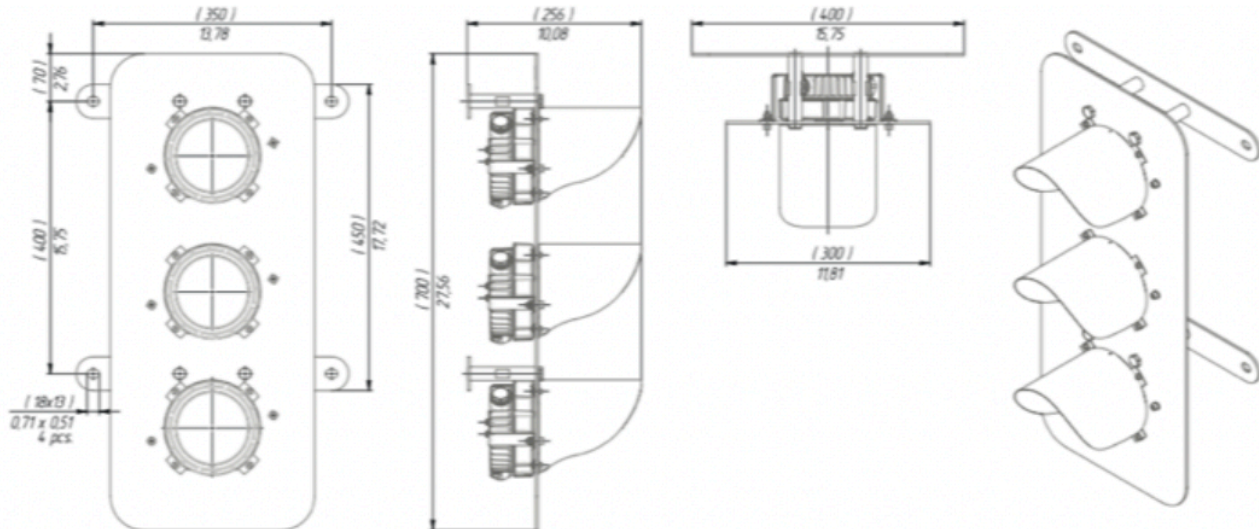
Fixture Weight: 13.49 lb [6.1 kg]



### TL-HL-UC 45W

UC Bracket

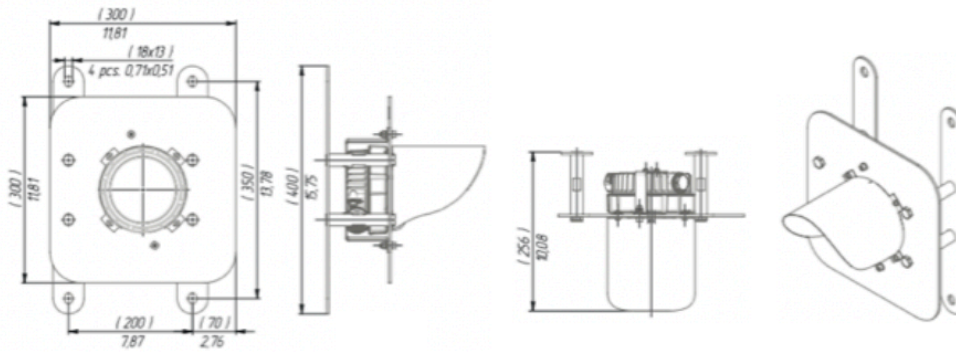
Fixture Weight: 18.08 lb [8.2 kg]



### TL-HL-UCH 15W

UCH Bracket

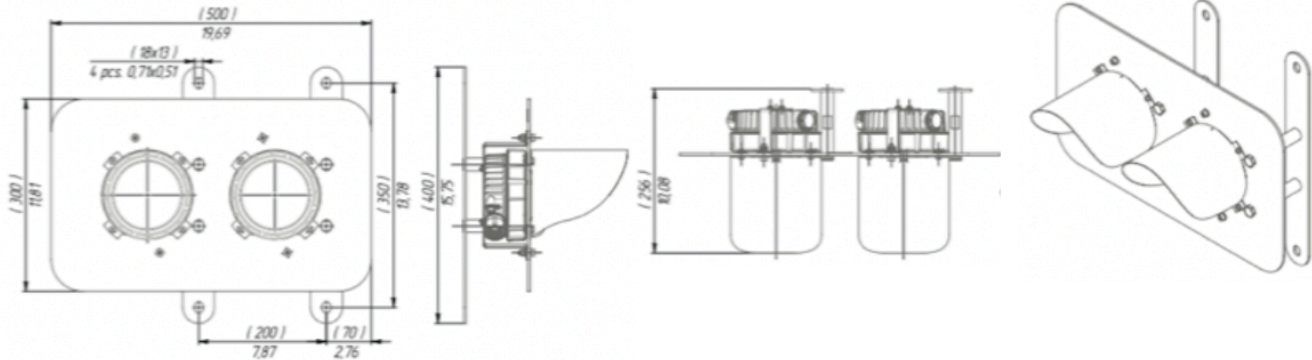
Fixture Weight: 8.93 lb [4.1 kg]



### TL-HL-UCH 30W

UCH Bracket

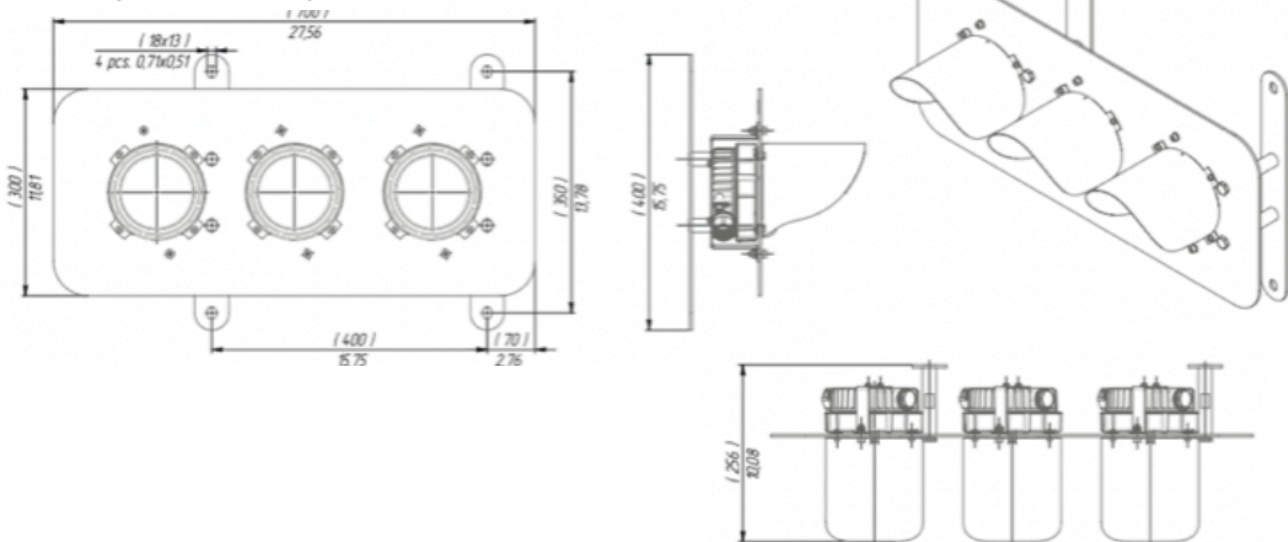
Fixture Weight: 13.49 lb [6.1 kg]



### TL-HL-UCH 45W

UCH Bracket

Fixture Weight: 13.49 lb [6.1 kg]



# Packaging Information

Pieces	1		
Fixture Dimensions	See Product Dimensions Drawing		
Net Fixture Weight	TB/TBH 7.45 LBS (3.4 KG) UC/UCH 8.93 LBS (4.1 KG)	TB/TBH 12.0 LBS (5.5 KG) UC/UCH 13.49 LBS (6.1 KG)	TB/TBH 16.6 LBS (7.5 KG) UC/UCH 18.08 LBS (8.2 KG)