



BPO LIGHTING
Hazardous Area Lighting

ES J



Class 1 Division 1

Key Features

- | | |
|------------------|---|
| FEATURES: | Emergency Sign (Rugged)
3 Hour Emergency Back-Up
High Voltage
Edge Lit
Low Energy Consumption |
| OPTIONS: | Red or Green Sign
Sign remains on or only with power outage
Alternate Languages Available |

Compliance

UL 844 Hazardous Locations
Class I Division 1 Groups B, C, D
Class I Division 2 Groups A, B, C, D
Class II Division 1 Groups E, F, G
Class II Division 2 Groups F, G
Class III

UL 924 Emergency Lighting
UL 121201/CSA NO. 213
CSA C22.2 No. 137-18

Applications

Oil and Gas

Petroleum production and refining
Petroleum loading, storage, transportation and retail
Confined spaces with vapor accumulation
LNG and LPG handling
Oil tankers and shipping vessels
Fuel system testing facilities

Power Plants

Coal-fired power plants, including coal handling and storage areas
Gas-fired power plants with fuel storage
Nuclear power facilities in hazardous auxiliary areas
Biomass or waste-to-energy plants with combustible dust risks

Industrial

Industrial storage facilities
Paper mills, sawmills and lumber yards
Loading dock platforms
Manufacturing plants for heavy industrial goods
Warehouses handling flammable materials

Waste Treatment

Wastewater treatment plants
Pumping stations
Solid waste processing and incineration facilities
Sewage treatment with methane gas risks
Hazardous waste recycling centers

Mining

Operations and service areas
Underground mining tunnels with gas accumulation

Chemical Industry

Chemical production, processing and storage facilities
Solvent handling and mixing areas
Chemical research labs with flammable substances

Ocean, Marine and Aerospace

Offshore platform operation facilities and structures
Marine and saltwater environments
Aerospace clean rooms and production areas
Ocean vessel operations
Shipyards and dry docks
Aircraft hangars with fuel vapors

Metal Treatment

Paint facilities
Steel and aluminum factories
Metal smelting, foundry and fabrication
Welding and cutting areas with gas risks

Military and Defense

Ammunition storage and handling
Fuel depots and refueling stations
Explosives manufacturing
Vehicle maintenance bays in hazardous zones

Food, Alcohol and Agriculture Industry

Flour and fine particle production and storage
Food and distilling production
Grain storage elevators and silos
Breweries and fermentation tanks
Feed mills with dust risks
Fertilizer production and storage

Pharmaceutical Industry

Drug manufacturing and solvent handling
Clean rooms with volatile compounds
Pill coating and drying areas
Research and development labs

Other high humidity, high dust, high temperature and vapor locations

Specifications

Wattage	1W	2W	3W	4W	5W
---------	----	----	----	----	----

ENVIRONMENTAL

Ambient Operating Temperature	-10°C to +60°C (14°F to +140°F)
-------------------------------	---------------------------------

MECHANICAL

Housing Material	A356T6 aluminum with baked-on Grey epoxy finish
Hardware	Stainless Steel
Gasket	One-piece silicone
Fixture Color	Grey
Configuration	Model 1: EXIT sign remains on with or without mains electricity Model 2: EXIT sign does not light up when there is mains electricity, but only lights up when there is a power outage.
Cable Entry	3/4" NPT or M25 Conduit hubs
Warranty	5 Year Standard Warranty

ELECTRICAL

Lifespan	L70> 50,000 Operational Hours @ 40°C
Input Voltage	100-277VAC, 100-347V
Input Frequency	50/60Hz

EMERGENCY

Emergency Time	3 Hour (Standard)
Glass EXIT Sign Plate	Edge Lit, Tempered Glass

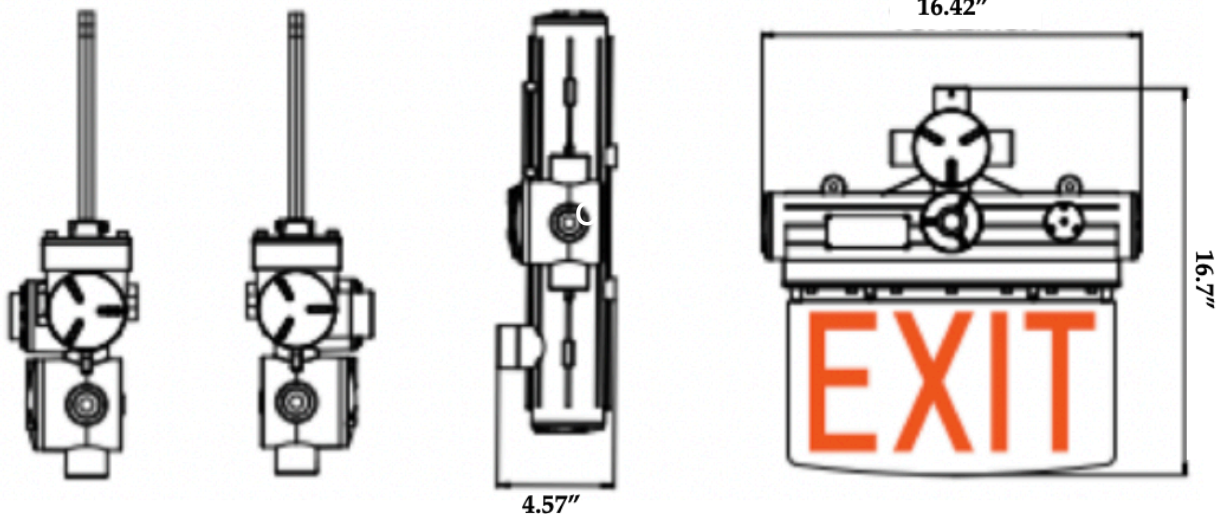
Ordering Logic

ORDER EXAMPLE: ES J EX 5W J D R 180 M1

(1) Product	(2) Product Category	(3) Wattage	(4) Shape Series	(5) Dimming
ES J	EX - Explosion Proof	1W 2W 3W 4W 5W (S)	J	D - Dimmable N - Non-Dimmable
(6) Color	(7) Beam Angle	(8) Configuration		
R - Red G - Green	180 - 180°	M1 - Sign Remains On W/Wo main electricity M2 - Sign Only Lights Up With Power Outage M2 - Sign Only Lights Up With Power Outage		

(S) Standard

Product Dimensions

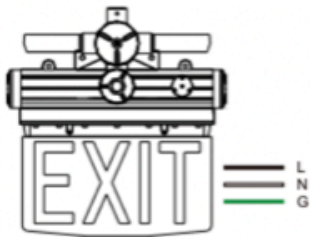


Packaging Information

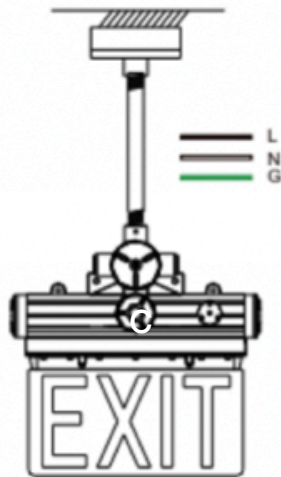
Pieces	2
Fixture Dimensions	See Product Dimensions Drawing
Package Dimensions	18.50 x 18.50 x 10.24 IN (470 x 470 x 260 MM)
Net Fixture Weight	13.23 lbs 6.0 kg
Gross Weight	30.86 lbs 14.0 kg

Mounting Methods

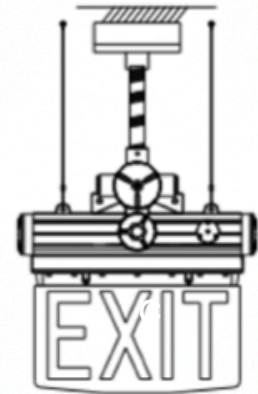
**Option 1:
Wall Mounting**



**Option 2:
Pendant Mounting**



**Option 2:
Pendant Mounting
With Safe Wires**



Function Options

Model 1: EXIT sign remains on with or without mains electricity.

Model 2: EXIT sign does not light up when there is mains electricity, but only lights up when there is power outage.

Indicator Light

If three or two indicator lights remain on during initial power on, it is necessary to reset them by detecting the switch: press the switch "ON" for 5 to 6 seconds ->OFF ->ON.

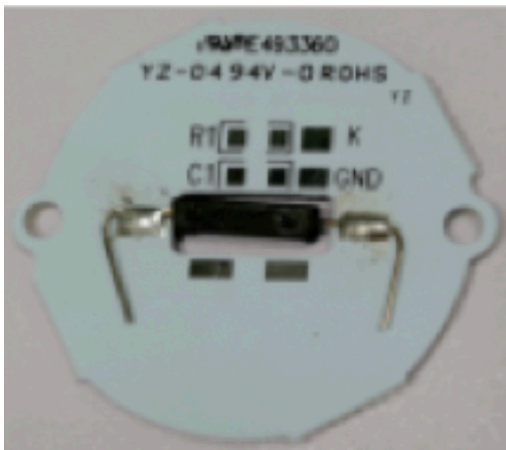
RED: Fast charging for 2 hours.
Charging indicator, displaying 20% -80% battery capacity.

GREEN: Trickle charging.
Charging indicator, displaying 80% -100% battery capacity.
Green light on when disconnecting the battery.

RED & GREEN: Red and Green flashes alternately for 5 minutes, indicating that it is at 80% battery capacity.

YELLOW: Discharge below 20%.
If the yellow light is on in any state, the product is out of order.

Switch Description



Press the switch "ON" once, the EXIT sign and indicator light will flash once, with an ON/OFF interval of 10 seconds.

With mains electricity disconnected, long press and hold the switch for

3 to 5 seconds to turn off the product. If the EXIT sign needs to be turned on again, it will be activated through mains electricity.

The product will automatically have monthly inspection. EXIT sign and indicator light will flash once every 30 or 31 days.

The product will automatically have an annual inspection. EXIT sign and indicator light will flash twice every year