



BPO LIGHTING
Hazardous Area Lighting

HLL O



Flat Guard



Globe Guard



Class 1 Division 2

Key Features

- FEATURES:** Jelly Jar (Rugged)
Impact Protection
Cost Efficient
- OPTIONS:** 3 Mounting Styles

Compliance

UL 844 Hazardous Locations
Class I Division 2 Groups A, B, C, D
Class II Division 1 Groups E, F, G
Class II Division 2 Groups F, G
Class III
UL 1598 Suitable for Wet Locations
UL 1598A Marine Saltwater
UL 924 Emergency Lighting
UL 8750 LED Safety

Certificate 80070037
IP66
IK08
ABS
DLC qualification varies for product versions.

Applications

Oil and Gas

Petroleum production and refining
Petroleum loading, storage, transportation and retail
Confined spaces with vapor accumulation
LNG and LPG handling
Oil tankers and shipping vessels
Fuel system testing facilities

Power Plants

Coal-fired power plants, including coal handling and storage areas
Gas-fired power plants with fuel storage
Nuclear power facilities in hazardous auxiliary areas
Biomass or waste-to-energy plants with combustible dust risks

Industrial

Industrial storage facilities
Paper mills, sawmills and lumber yards
Loading dock platforms
Manufacturing plants for heavy industrial goods
Warehouses handling flammable materials

Waste Treatment

Wastewater treatment plants
Pumping stations
Solid waste processing and incineration facilities
Sewage treatment with methane gas risks
Hazardous waste recycling centers

Mining

Operations and service areas
Underground mining tunnels with gas accumulation

Chemical Industry

Chemical production, processing and storage facilities
Solvent handling and mixing areas
Chemical research labs with flammable substances

Ocean, Marine and Aerospace

Offshore platform operation facilities and structures
Marine and saltwater environments
Aerospace clean rooms and production areas
Ocean vessel operations
Shipyards and dry docks
Aircraft hangars with fuel vapors

Metal Treatment

Paint facilities
Steel and aluminum factories
Metal smelting, foundry and fabrication
Welding and cutting areas with gas risks

Military and Defense

Ammunition storage and handling
Fuel depots and refueling stations
Explosives manufacturing
Vehicle maintenance bays in hazardous zones

Food, Alcohol and Agriculture Industry

Flour and fine particle production and storage
Food and distilling production
Grain storage elevators and silos
Breweries and fermentation tanks
Feed mills with dust risks
Fertilizer production and storage

Pharmaceutical Industry

Drug manufacturing and solvent handling
Clean rooms with volatile compounds
Pill coating and drying areas
Research and development labs

Other high humidity, high dust, high temperature and vapor locations

Specifications

Wattage	10W	20W	30W	40W	10W	20W	30W	40W	10W	20W	30W	40W
Body	M1				M2				M3			

OPTICAL

Lumen Output	1000 lm	2000 lm	3000 lm	4000 lm	1000 lm	2000 lm	3000 lm	4000 lm	1000 lm	2000 lm	3000 lm	4000 lm
Lumens Per Watt	100 lm/W											
Color Temperature: CCT	5000K (standard), 3000-6500K optional											
CRI (Color Rendering Index)	>70											
Beam Angle	120°											
Dimming	0-10V dimming											

ENVIRONMENTAL

Ambient Operating Temperature	T6/T80°C: -40°C to +25°C (-40°F to +77°F) T5/T95°C: -40°C to +40°C (-40°F to +104°F) T4/T130°C: -40°C to +60°C (-40°F to +140°F) (Emergency) T4/T130°C: - 10°C to +40°C (14°F to +104°F)
Temperature Code	T6 (+25°C), T5 (+40°C), T4 (+60°C)

MECHANICAL

Housing Material	Copper-free aluminum		
Lens Diffuser	Tempered glass (frosted and clear options)		
Mounting	Ceiling	Pendant	Wall
Cable Entry	4 sidewall cable entries can be used for M25, M20, NPT 1/2" or NPT 3/4" certified cable glands		
Warranty	5 Year Standard Warranty		

ELECTRICAL

Lifespan	L70> 150,000 Operational Hours @ 55°C
Input Voltage	100-277VAC
Input Frequency	50/60Hz
Power Factor	> 0.95

Ordering Logic

ORDER EXAMPLE: HLL O EX 30W O D 5K 120 C M1

(1) Product	(2) Product Category	(3) Wattage	(4) Shape Series	(5) Dimming	(6) Kelvin
HLL O	EX - Explosion Proof	10W (1000 lm)	O	D - Dimmable	3K - 3000 K
		20W (2000 lm)		N - Non-Dimmable	4K - 4000 K
		30W (3000 lm)			5K - 5000 K (S)
		40W (4000 lm)			
(7) Beam Angle		(8) Glass		(9) Mounting	
40 - 40°		C - Globe Glass		M1 - Ceiling Mounting	
60 - 60°		P - Plate Short Glass		M2 - Pole Mounting	
90 - 90°		B - Middle Long Globe Glass		M3 - 90° Wall Mounting	
120 - 120° (S)					

(S) Standard

Accessories



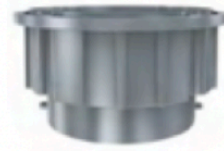
Ceiling/Wall



Ceiling/Wall (Interior Detail)



Reflector



Heat Sink



Globe Glass



Globe Guard



Extension



Main Part



Flat Glass



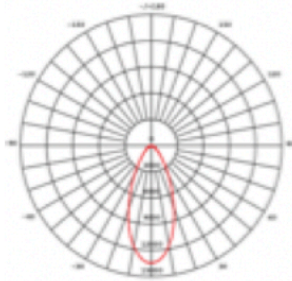
Flat Guard



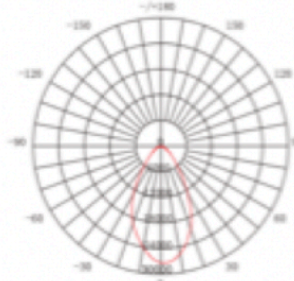
Clear

Light Distribution

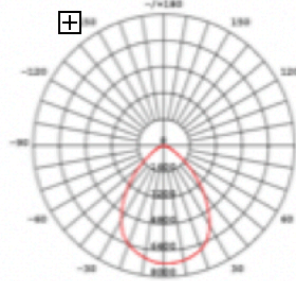
Beam Angle 40°



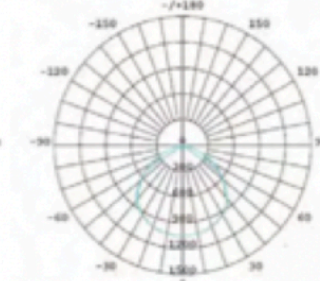
Beam Angle 60°



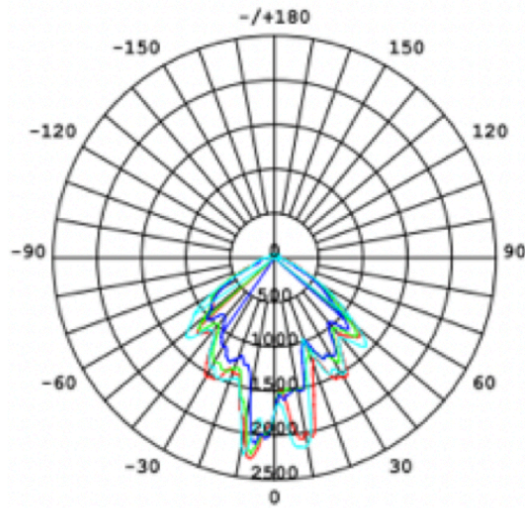
Beam Angle 90°



Beam Angle 120°



Photometric



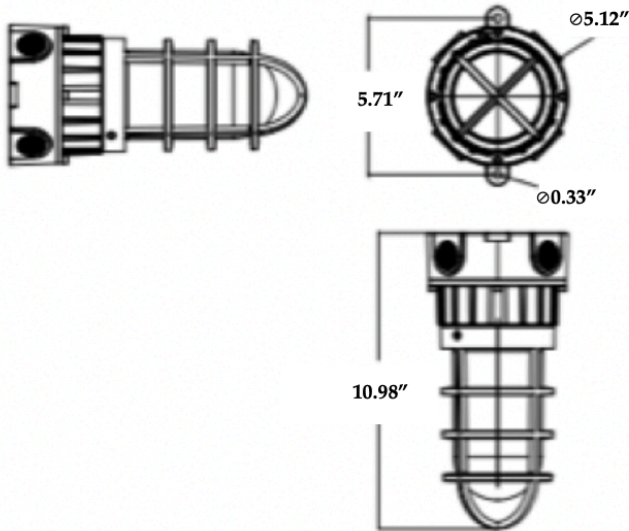
120 Degree

- UNIT:cd
- C0/180.96.4
 - C30/210.98.2
 - C60/240.83.4
 - C90/270.106.0

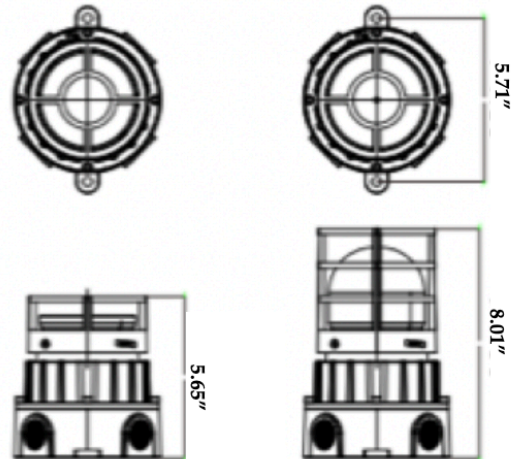
Average Beam Angle (50%):121.1 DEG

Product Dimensions

With Globe Guard



With Flat Guard



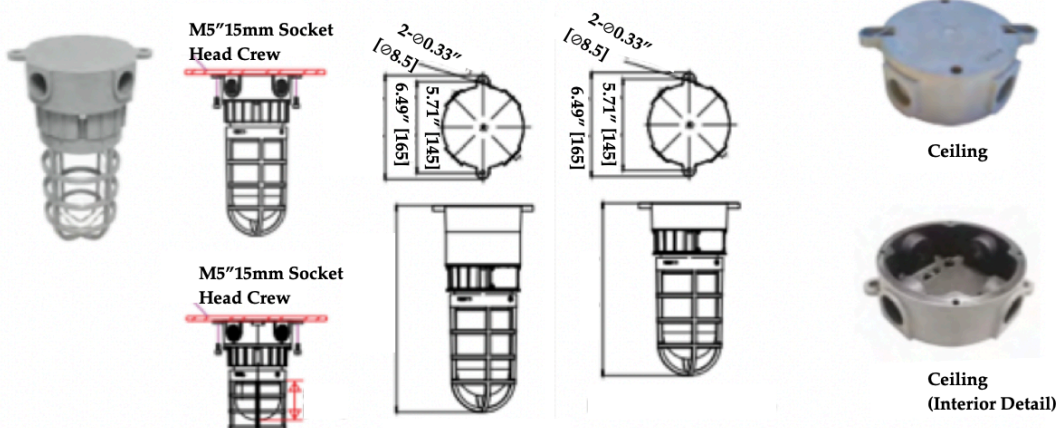
Thickness of diffuser: 0.18"

Packaging Information

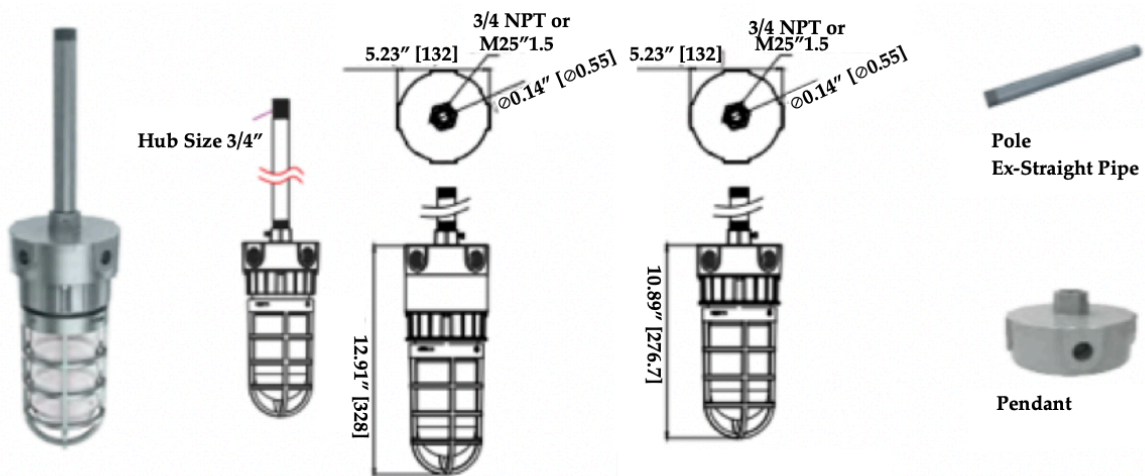
Pieces	1	1	1
Fixture Dimensions	See Product Dimensions Drawing	See Product Dimensions Drawing	See Product Dimensions Drawing
Package Dimensions	14.56 x 10.63 x 9.45 IN	10.43 x 14.96 x 10.04 IN	16.54 x 13.39 x 9.45 IN
Net Fixture Weight	5.95 lb	4.41 lb	8.16 lb
Gross Weight	7.06 lb	5.51lb	9.26 lb.

Mounting Methods

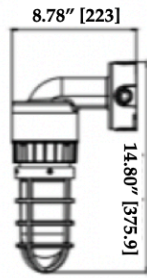
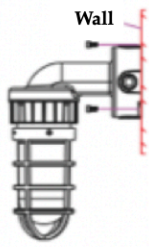
Option 1: Ceiling Mounting



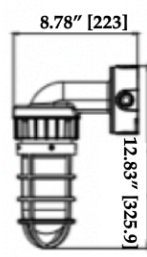
Option 2: Pole Mounting



Option 3: 90° Wall Mounting



Emergency Type



Non-Emergency Type

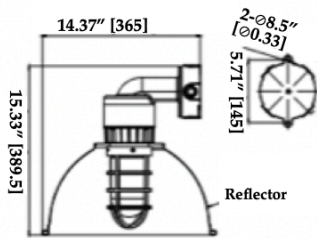


Accessory

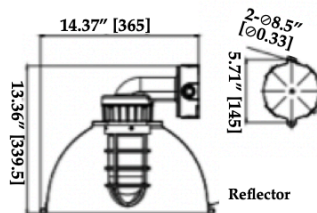


Wall Elbow

Option 4: 90° Wall Mounting with Reflector



Emergency Type



Non-Emergency Type

Accessory



Wall Elbow



Reflector