



Class 1 Division 2

Key Features

- FEATURES:**
- Linear (Rugged)
 - Direct Replacement for Snelson 6100
 - Direct Replacement for Indatech HWFL
 - Cost Efficient, Light Weight
 - Non Metallic, Corrosion Resistant
 - Programable Keystone driver for custom lumen output
 - BAA (Buy American Act)
 - BABA (Build America, Buy America)
- OPTIONS:**
- 2' & 4' Body Lengths
 - High Voltage
 - 3 Multiple Mounting
 - Emergency Back-Up (1.5, 3 Hour)

Compliance

UL 844 Hazardous Locations
Class I Division 2 Groups A, B, C, D
Class II Division 2 Groups F, G
UL 1598A Marine Saltwater
UL 924 Emergency Lighting
ABS
Meets Coast Guard Specifications



(BAA) Buy American Act, meeting the requirements for domestic manufacturing and material sourcing as outlined in 41 U.S.C. §§



(BABA) Build America, Buy America Act compliant. Meeting the elevated domestic content and manufacturing requirements, as mandated by the Infrastructure Investment and Jobs Act (Pub. L. 117-58)

Applications

Oil and Gas

Petroleum production and refining
Petroleum loading, storage, transportation and retail
Confined spaces with vapor accumulation
LNG and LPG handling
Oil tankers and shipping vessels
Fuel system testing facilities

Power Plants

Coal-fired power plants, including coal handling and storage areas
Gas-fired power plants with fuel storage
Nuclear power facilities in hazardous auxiliary areas
Biomass or waste-to-energy plants with combustible dust risks

Industrial

Industrial storage facilities
Paper mills, sawmills and lumber yards
Loading dock platforms
Manufacturing plants for heavy industrial goods
Warehouses handling flammable materials

Waste Treatment

Wastewater treatment plants
Pumping stations
Solid waste processing and incineration facilities
Sewage treatment with methane gas risks
Hazardous waste recycling centers

Mining

Operations and service areas
Underground mining tunnels with gas accumulation

Chemical Industry

Chemical production, processing and storage facilities
Solvent handling and mixing areas
Chemical research labs with flammable substances

Ocean, Marine and Aerospace

Offshore platform operation facilities and structures
Marine and saltwater environments
Aerospace clean rooms and production areas
Ocean vessel operations
Shipyards and dry docks
Aircraft hangars with fuel vapors

Metal Treatment

Paint facilities
Steel and aluminum factories
Metal smelting, foundry and fabrication
Welding and cutting areas with gas risks

Military and Defense

Ammunition storage and handling
Fuel depots and refueling stations
Explosives manufacturing
Vehicle maintenance bays in hazardous zones

Food, Alcohol and Agriculture Industry

Flour and fine particle production and storage
Food and distilling production
Grain storage elevators and silos
Breweries and fermentation tanks
Feed mills with dust risks
Fertilizer production and storage

Pharmaceutical Industry

Drug manufacturing and solvent handling
Clean rooms with volatile compounds
Pill coating and drying areas
Research and development labs

Other high humidity, high dust, high temperature and vapor locations

Specifications

Wattage	20W	40W	60W	40W	70W (Programmable)
Body	2'			4'	

OPTICAL

Lumen Output	2200 lm	4400 lm	6600 lm	4400 lm	8000-16000 lm
Color Temperature: CCT	Standard: 5000K Programmable: 2700K - 6500K				
CRI (Color Rendering Index)	> 80				
Beam Angle	120°				
Light Source	2000 nominal lumens per strip		8000-16000 nominal lumens per 2 strip (customized)		

ENVIRONMENTAL

Ambient Operating Temperature	-40°C to +55°C (-40°F to +131°F)
Temperature Code	T5

REPLACEMENT

Next Generation	Direct Replacement for Snelson 6100 and Indatech HWFL (bolt patterns line up)
-----------------	---

MECHANICAL

Housing Material	Corrosion resistant, Non-metallic glass reinforced polyester housing
Lens Diffuser	Heavy duty injection molded lens
Hardware	Captive plastic or stainless steel latches, stainless steel mounting brackets
Fixture Color	White
Mounting	Ceiling, Wall, Pendant
Cable Entry	2 Sides: 3/4" NPT, Back: 3/4" NPT (Option on Pendant)
Warranty	5 Year Standard Warranty

ELECTRICAL

Lifespan	L70> 50,000 Operational Hours @ 55°C
Input Voltage	120-277VAC, 280-480VAC
Input Frequency	50/60Hz
Driver Efficiency	Driver-amp draw 120 volt-.80, 277 volt-.35 Programmable Keystone driver for custom lumen output

EMERGENCY

Emergency Time	1.5 Hour, 3.0 Hour Option
----------------	---------------------------

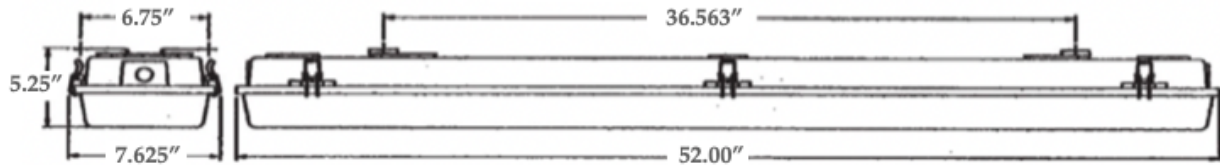
Ordering Logic

ORDER EXAMPLE: BFWL4 EX P U 50 BM

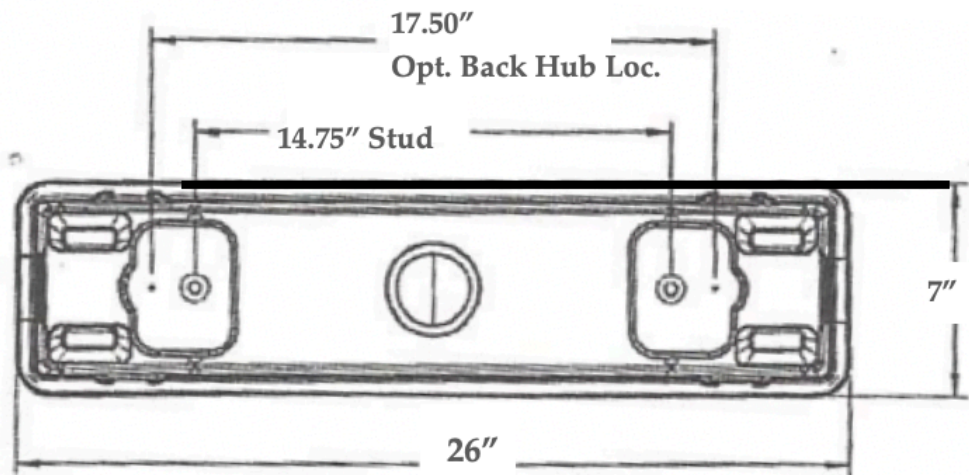
(1) Product	(2) Product Category	(3) Wattage		(5) Voltage	(6) Kelvin	(7) Mounting	(8) EM
BFWL2 - 2' (1/2) BFWL4 - 4' (1/2/3)	EX - Explosion Proof	20 - 20W (2,200 lm) (2')	40 - 40W (4,400 lm) (2', 4')	U - 120/277V 50/60Hz (S) 480V - 280-480Volt	30 - 3000 K 40 - 4000 K 50 - 5000 K(S)	BM - Back Mount (S) PM - Pendant Mount	Blank - Without Emergency Function (S) EM - Emergency Back Up
		60 - 60W (6,600 lm) (2')	P40 - 40W (4,000 - 8,000 lm) (4')				
		P70 - 70-85W (8,000 - 16000 lm) (4')					

(S) Standard

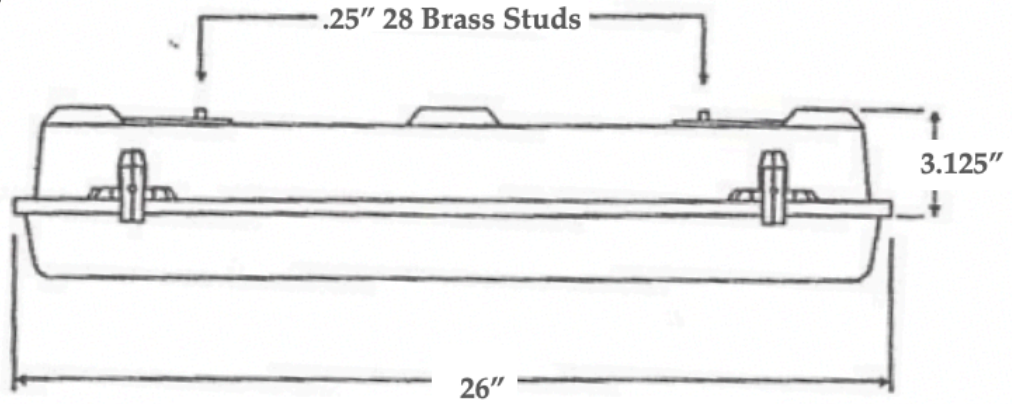
Product Dimensions



Top View



Side View



Note: Brass Studs on Inside of Unit are 10-32

End View

