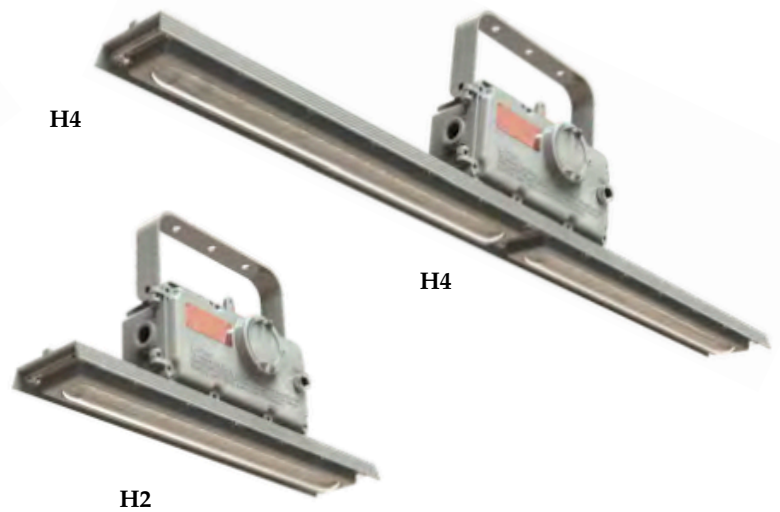


Regular Mode



Side Opening Cover Model
(Convex Glass)



H4

H4

H2



Class 1 Division 2

Key Features

- FEATURES:** Linear (Rugged)
Modern Design
High lm/W
- OPTIONS:** 2' & 4' Body Lengths
5 Mounting Styles
High Voltage
Emergency Back-Up

Compliance

UL 844 Hazardous Locations
Class I Division 2 Groups A, B, C, D
Class I Zone 2 Group IIC
Class II Division 2 Groups F, G
Class II Zone 21 Group IIIC
Class III
UL 1598 Suitable for Wet Locations
UL 1598A Marine Saltwater
UL924 Emergency Light
CSA C22.2 No. 250.0:2021 Ed.5
CSA C22.2 No. 137:2018 Ed.2

IP66
IP67
IK08 (Glass Cover)
IK10 (With Wire Guard)
1000 Hours Salt Spray
ETL (ATM for Report 105342415DAL-001)
ABS
DLC select versions

Applications

Oil and Gas

Petroleum production and refining
Petroleum loading, storage, transportation and retail
Confined spaces with vapor accumulation
LNG and LPG handling
Oil tankers and shipping vessels
Fuel system testing facilities

Power Plants

Coal-fired power plants, including coal handling and storage areas
Gas-fired power plants with fuel storage
Nuclear power facilities in hazardous auxiliary areas
Biomass or waste-to-energy plants with combustible dust risks

Industrial

Industrial storage facilities
Paper mills, sawmills and lumber yards
Loading dock platforms
Manufacturing plants for heavy industrial goods
Warehouses handling flammable materials

Waste Treatment

Wastewater treatment plants
Pumping stations
Solid waste processing and incineration facilities
Sewage treatment with methane gas risks
Hazardous waste recycling centers

Mining

Operations and service areas
Underground mining tunnels with gas accumulation

Chemical Industry

Chemical production, processing and storage facilities
Solvent handling and mixing areas
Chemical research labs with flammable substances

Ocean, Marine and Aerospace

Offshore platform operation facilities and structures
Marine and saltwater environments
Aerospace clean rooms and production areas
Ocean vessel operations
Shipyards and dry docks
Aircraft hangars with fuel vapors

Metal Treatment

Paint facilities
Steel and aluminum factories
Metal smelting, foundry and fabrication
Welding and cutting areas with gas risks

Military and Defense

Ammunition storage and handling
Fuel depots and refueling stations
Explosives manufacturing
Vehicle maintenance bays in hazardous zones

Food, Alcohol and Agriculture Industry

Flour and fine particle production and storage
Food and distilling production
Grain storage elevators and silos
Breweries and fermentation tanks
Feed mills with dust risks
Fertilizer production and storage

Pharmaceutical Industry

Drug manufacturing and solvent handling
Clean rooms with volatile compounds
Pill coating and drying areas
Research and development labs

Other high humidity, high dust, high temperature and vapor locations

Specifications

Wattage	20W	40W	40W	60W	80W
Body	H2		H4		

OPTICAL

Lumen Output	2800 lm	5600 lm	5600 lm	8400 lm	11200 lm
Lumens Per Watt	140 lm/W				
Color Temperature: CCT	Standard: 5000K Options: 2700K - 6500K				
CRI (Color Rendering Index)	>70				
Beam Angle	120°				
Dimming	0-10V dimming				

ENVIRONMENTAL

Ambient Operating Temperature	-40°C to +60°C (-40°F to +140°F)
Temperature Code	T3

MECHANICAL

Housing Material	Copper-free aluminum
Lens Diffuser	Clear flat glass/ convex PC(clear or milky white)
Hardware	Stainless Steel
Mounting	Ceiling, Wall, Pole, Pendant, Chain
Cable Entry	Regular Model: Top: 3/4" NPT(standard), 1/2" NPT, Two sides: 3/4" NPT(standard), 1/2" NPT Optional Side Opening Cover Model: Top: 3/4" NPT(standard), 1/2" NPT Option, Two sides: 3/4" NPT(standard), 1/2" NPT; Plug or cable entry optional
Warranty	5 Year Standard Warranty

ELECTRICAL

Lifespan	L70> 150,000 Operational Hours @ 55°C
Input Voltage	100-277VAC, 200VAC-480VAC, 12-36VDC
Input Frequency	50/60Hz
Power Factor	> 0.95

EMERGENCY

Emergency Time	3 Hour Optional
----------------	-----------------

Ordering Logic

ORDER EXAMPLE: HLL H EX 80W H4 D 50 D120

(1) Product	(2) Product Category	(3) Wattage	(4) Shape Series	(5) Dimming	(6) Kelvin
HLL H	EX - Explosion Proof	20W (2,800 lm)	H2 - 20/40W	D - Dimmable	20 - 2000 K
		40W (5,600 lm)	H4 - 40/60/80W	Blank - Non-Dimmable (S)	30 - 3000 K
		60W (8,400 lm)			40 - 4000 K
		80W (11,200 lm)			50 - 5000 K (S)
(7) Beam Angle	(8) Diffuser Type	(9) Voltage	(10) Optional		
D120 - 120° (S)	Blank - Flat Glass (S) C - Spherical Glass Cover	Blank - 100-277V HV - 277-480V	Blank - Without Emergency Function (S) EM - Emergency Back Up		

(S) Standard

Accessories

Bracket



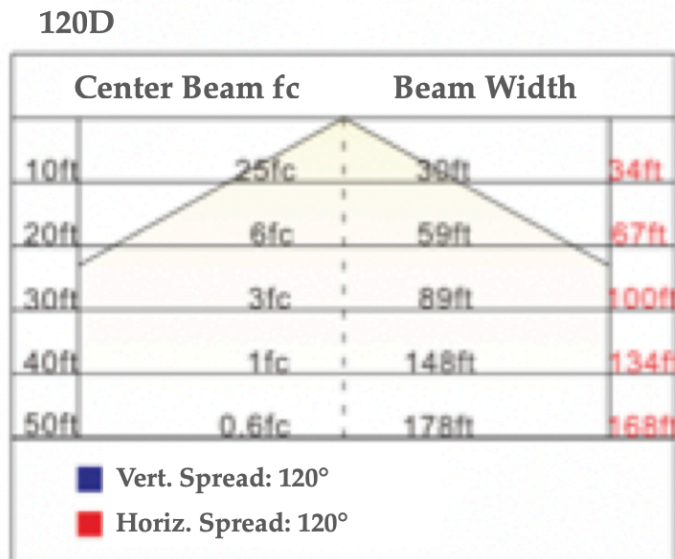
Metal Conduit



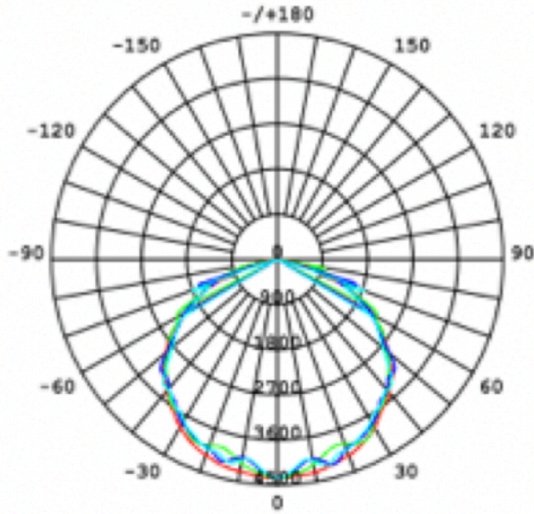
Bended Pipe



Light Distribution



Photometric



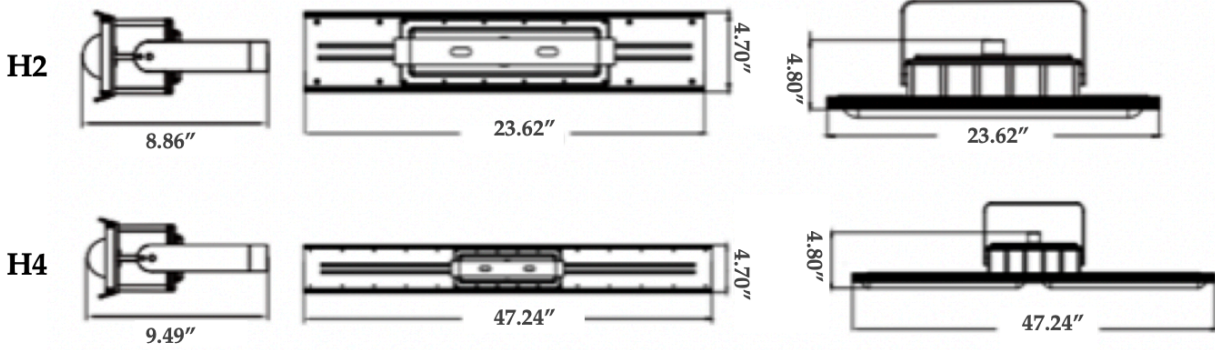
120 Degree

- UNIT:cd
- C0/180.119.2
 - C30/210.124.8
 - C60/240.119.3
 - C90/270.117.4

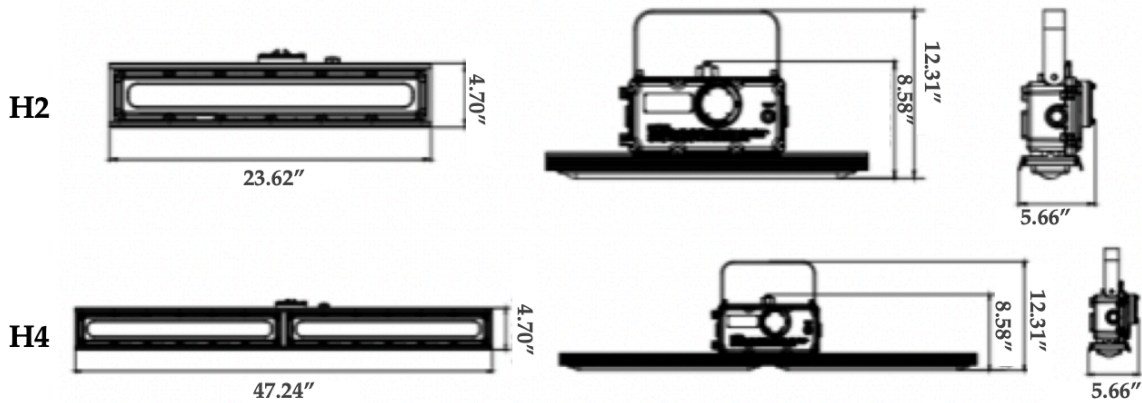
Average Beam Angle (50%):120.2 DEG

Product Dimensions

Regular Model



Side Opening Cover Model (Convex Glass)

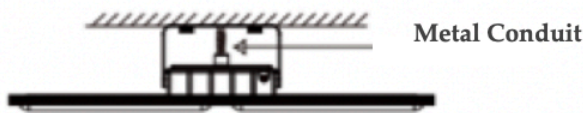


Packaging Information

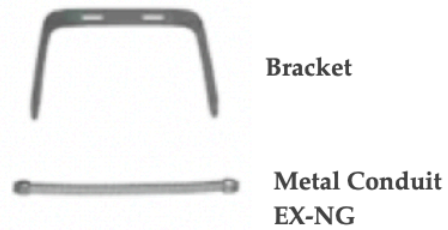
	H2	H4
Pieces	2	2
Fixture Dimensions	See Product Dimensions Drawing	See Product Dimensions Drawing
Package Dimensions	27.95" x 16.93" x 12.60" 710mm x 430mm x 320mm	51.97" x 16.54" x 12.99" 1320mm x 420mm x 330mm
Net Fixture Weight	8.82 lb	12.13 lb
Gross Weight	22.60 lb	31.97 lb

Mounting Methods

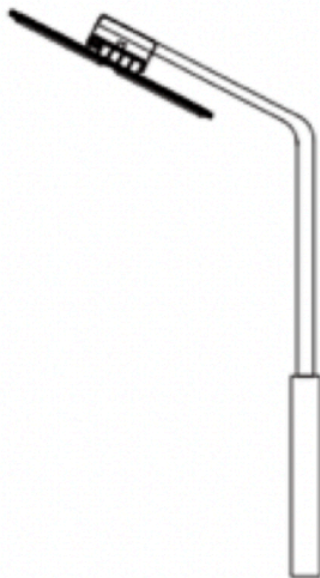
Option 1: Ceiling Mounting



Accessory



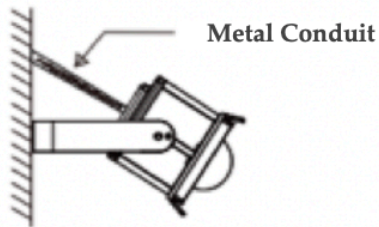
Option 2: Pole Mounting



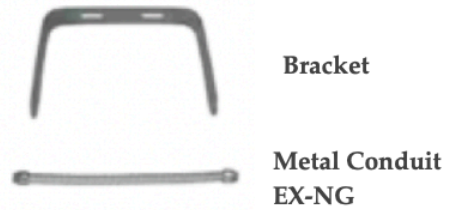
Accessory



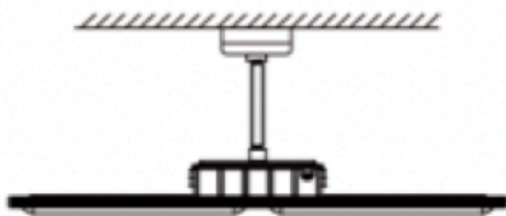
Option 3: Wall Mounting



Accessory



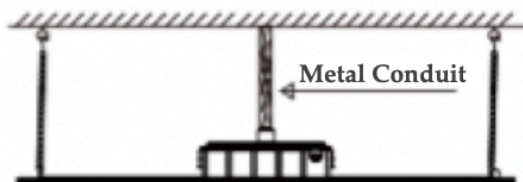
Option 4: Pendant Mounting



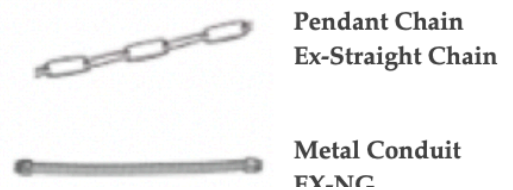
Accessory

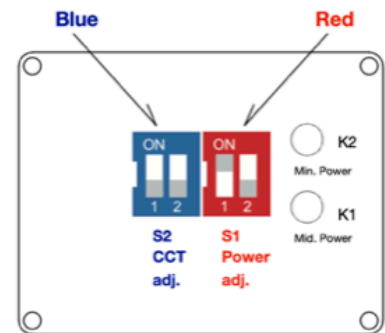
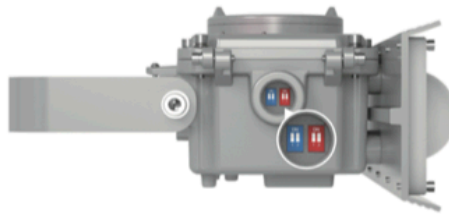


Option 5: Pole Mounting



Accessory








OPERATING INSTRUCTIONS




S1 DIP SWITCH - RED (S1 Power adj.)

The power adjustment dial switch can be set to three power levels, and the factory default setting can be defined according to order requirements.

-  First gear (Max. power), 100% full power.
Operation instructions: Dial 1 and 2 are both in the OFF position;
Example: 100W
-  Second gear (Mid. power), 70%-80% power, can be set according to the required power.
Operation instructions: Dial 1 is in the ON position, Dial 2 is in the OFF position;
Example: 80W
-  Third gear (Min. power), 50%-60% power, can be set according to the required power.
Operation instructions: Dial 1 is in the OFF position, Dial 2 is in the ON position;
Example: 60W

S2 DIP SWITCH - BLUE (S2 CCT adj.)

The color temperature dial switch can be set to three levels of color temperature, and the factory default setting can be defined according to order requirements.

-  First gear, the cold white temperature gear, for example, 6500K.
Operation instructions: Dial 1 and 2 are both in the OFF position;
6500K
-  Second gear, the neutral temperature gear, for example, 5000K.
Operation instructions: Dial 1 is in the ON position, and Dial 2 is in the OFF position;
5000K
-  Third gear, the warm white temperature gear, for example, 4000K.
Operation instructions: Dial 1 and 2 are both in the ON position;
4000K

(1) Power Adjuster:

Connect to the 0/1-10V dimming port of the LED driver.

(2) CCT Adjuster:

Connect the output voltage of the LED driver:
DC20 - 60V LED driver maximum no - load output voltage: 68V max

(3) The three - gear power setting principle is as follows:

The first gear is 100%, the second gear is 70 - 80%, and the third gear is 50 - 60%.
The minimum setting cannot be lower than 50%.