

Class 1 Division 2



Key Features

FEATURES: Tunable Wattage
Adjustable CCT

Compact Rugged Linear
High Temperature

OPTIONS: Modern Design
2' & 4' Body Lengths
8 Mounting Styles. Impact resistant
Lens: Flat or Convex / Clear or Frosted / Glass or PC
High Voltage
Emergency Back-Up

Compliance

UL 844 Hazardous Locations
Class I Division 2 Groups A, B, C, D
Class I Zone 2 Group IIC
Class II Division 1 Groups F, G
Class II Zone 21 Group IIIC
Class III
UL 1598 Suitable for Wet Locations
UL 1598A Marine Saltwater
UL924 Emergency Light
CSA C22.2 No. 250.0:2021 Ed.5
CSA C22.2 No. 137:2018 Ed.2

IP66
IK08 (Glass Cover)
IK10 (With Wire Guard)
1000 Hours Salt Spray
ETL (ATM for Report 105342415DAL-001)
ABS
DLC select versions

Applications

Oil and Gas

Petroleum production and refining
Petroleum loading, storage, transportation and retail
Confined spaces with vapor accumulation
LNG and LPG handling
Oil tankers and shipping vessels
Fuel system testing facilities

Power Plants

Coal-fired power plants, including coal handling and storage areas
Gas-fired power plants with fuel storage
Nuclear power facilities in hazardous auxiliary areas
Biomass or waste-to-energy plants with combustible dust risks

Industrial

Industrial storage facilities
Paper mills, sawmills and lumber yards
Loading dock platforms
Manufacturing plants for heavy industrial goods
Warehouses handling flammable materials

Waste Treatment

Wastewater treatment plants
Pumping stations
Solid waste processing and incineration facilities
Sewage treatment with methane gas risks
Hazardous waste recycling centers

Mining

Operations and service areas
Underground mining tunnels with gas accumulation

Chemical Industry

Chemical production, processing and storage facilities
Solvent handling and mixing areas
Chemical research labs with flammable substances

Ocean, Marine and Aerospace

Offshore platform operation facilities and structures
Marine and saltwater environments
Aerospace clean rooms and production areas
Ocean vessel operations
Shipyards and dry docks
Aircraft hangars with fuel vapors

Metal Treatment

Paint facilities
Steel and aluminum factories
Metal smelting, foundry and fabrication
Welding and cutting areas with gas risks

Military and Defense

Ammunition storage and handling
Fuel depots and refueling stations
Explosives manufacturing
Vehicle maintenance bays in hazardous zones

Food, Alcohol and Agriculture Industry

Flour and fine particle production and storage
Food and distilling production
Grain storage elevators and silos
Breweries and fermentation tanks
Feed mills with dust risks
Fertilizer production and storage

Pharmaceutical Industry

Drug manufacturing and solvent handling
Clean rooms with volatile compounds
Pill coating and drying areas
Research and development labs

Other high humidity, high dust, high temperature and vapor locations

Specifications

Wattage	20 W	30 W	40 W	50 W	60 W	70 W	80 W	100 W	40 W	60 W	80 W	100 W	120 W	150 W	180 W	200 W
Body	H2								H4							
OPTICAL																
Lumen Output	2200 lm	3300 lm	4400 lm	5500 lm	6600 lm	7700 lm	8800 lm	11000 lm	4400 lm	6600 lm	8800 lm	11000 lm	13200 lm	16500 lm	19800 lm	22000 lm
Lumens Per Watt	110 lm/W															
Color Temperature: CCT	SELECTABLE: Standard 5000K Options: 2000K- 7500K															
CRI (Color Rendering Index)	>70															
Beam Angle	Standard: 120° Options: 30°/40°/60°/90°/T2/T3/T5															
Dimming	0-10V dimming															
ENVIRONMENTAL																
Ambient Operating Temperature	T4A: -40°C to +65°C (-40°F to 149°F) T5: -40°C to +40°C (-40°F to +104°F)								T4A: -40°C to +55°C (-40°F to 131°F) T5: -40°C to +40°C (-40°F to +104°F)							
Temperature Code	T4A +65°C, T5: +40°C								T4A +55°C, T5 +40°C							
Power Model (120-277VAC/347VAC)	SS-75VA-56BHL								SS-100VA-56BHL							
MECHANICAL																
Housing Material	Copper-free aluminum															
Lens Diffuser	Standard: Frosted Convex PC Options: Clear Flat Glass, Clear Flat PC, Clear Convex PC, Frosted Flat Glass, Frosted Flat PC, Frosted Convex PC															
Hardware	Stainless Steel 304															
Mounting	Ceiling, Wall, Pole, Pendant															
Cable Entry	Two 3/4" NPT Cable Entries on the Side															
LED Chip	2835															
Warranty	5 Year Standard Warranty															
ELECTRICAL																
Lifespan	L70> 150,000 Operational Hours @ 55°C															
Input Voltage	120-277VAC, 120-347VAC, 277-480VAC															
Input Frequency	50/60Hz															
Power Factor	> 0.95															
LED Driver	Sosen Power															

EMERGENCY

Emergency Time 1.5 Hour, 3 Hour

Ordering Logic

ORDER EXAMPLE: HLL H EX 80W H4 D 50 D120 T

(1) Product	(2) Product Category	(3) Wattage	(4) Shape Series	(5) Dimming
HLL H	EX - Explosion Proof	60W: 60W/40W/30W [H2] 80W: 80W/60W/40W [H4] Inquire About Additional Wattage Combinations: H2: 20W/30W/40W/50W/60W/70W/80W/100W H4: 40W/60W/80W/100W/120W/150W/180W/200W	H2 H4	Blank - Non-Dimmable D - Dimmable (S)
(6) Kelvin	(7) Beam Angle	(8) Lens	(9) Tunable	(10) Backup Power Source
20 - 2000 K	D30 - 30°	CFG - Clear Flat Glass	T - Tunable	Blank - Without Emergency Battery (S)
30 - 3000 K	D40 - 40°	CFP - Clear Flat PC		EM - Emergency Back Up
40 - 4000 K	D60 - 60°	CCP - Clear Convex PC		
50 - 5000 K (S)	D90 - 90°	FFG - Frosted Flat Glass		
57 - 5700 K	D120 - 120° (S)	FFP - Frosted Flat PC		
65 - 6500 K	T2 - 60°	FCP or Blank - Frosted Convex PC (S)		
75 - 7500 K	T3 - 90°			
	T5 - 120°			

(S) Standard

Accessories



45° Bracket



Bracket



EX Junction Box



Lifting Hook



Wall Mounted Stanchion Arm



25° Stanchion Pole Mount



25° Stanchion Junction Box



90° Stanchion Junction Box



Bent Threaded Pipe

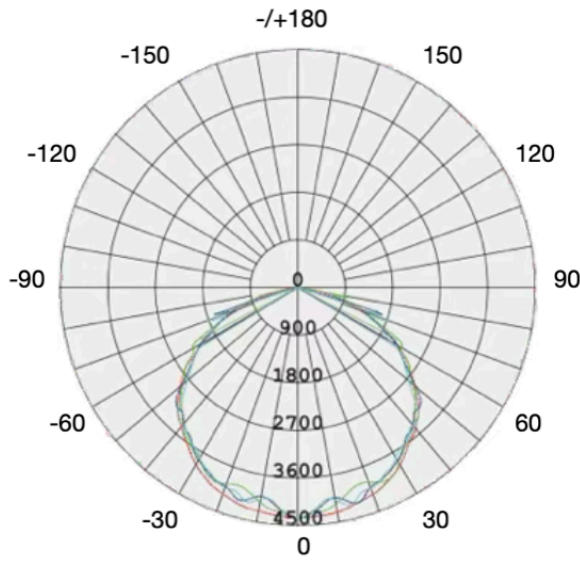


Threaded Pipe



Chain

Photometric



120 Degree

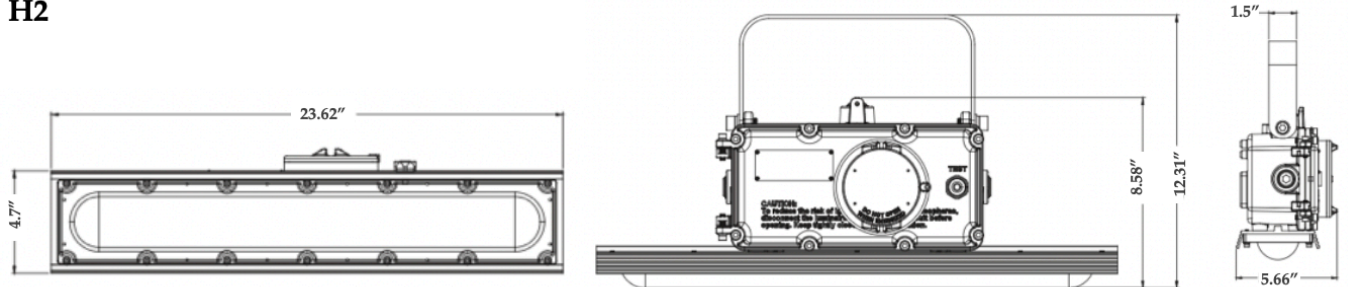
Average Beam Angle (50%): 120.2 Degree

UNIT: cd

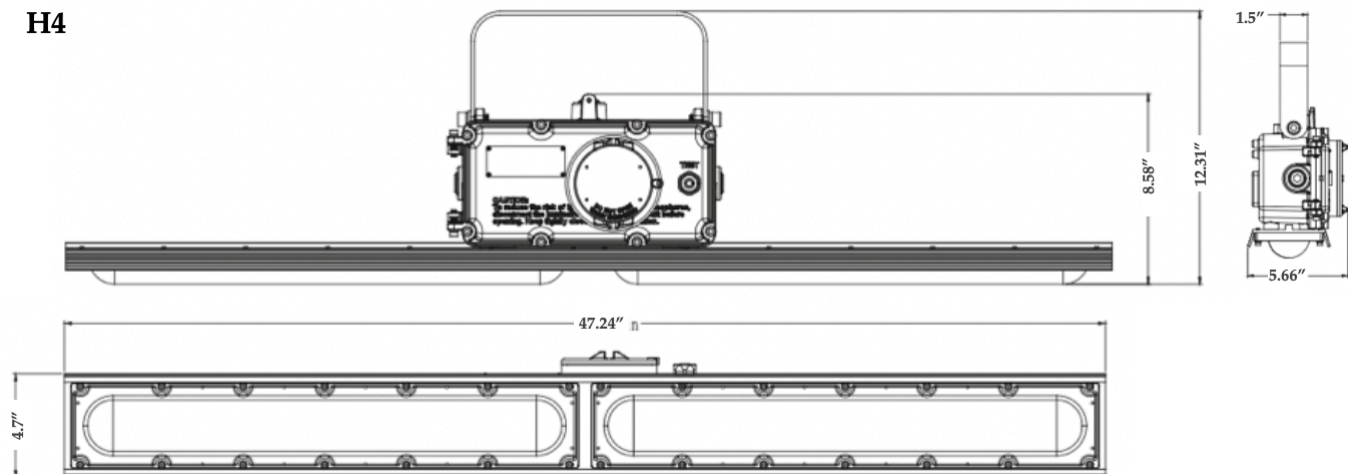
- C0/180, 119.2°
- C30/210, 124.8°
- C60/240, 119.3°
- C90/270, 117.4°

Product Dimensions

H2



H4

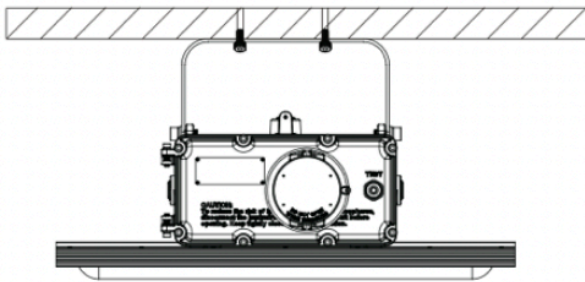


Packaging Information

	H2	H4
Pieces	2	2
Fixture Dimensions	See Product Dimensions Drawing	See Product Dimensions Drawing
Package Dimensions	27.95" x 16.93" x 12.60" (710mm x 429mm x 320 mm)	51.97" x 16.54" x 12.99" (1320mm x 419mm x 330 mm)
Net Fixture Weight	12.57 lb (5.7 kg)	16.31 lb (7.4 kg)
Gross Weight	27.56 lb (12.5 kg)	36.16 lb (16.4 kg)

Mounting Methods

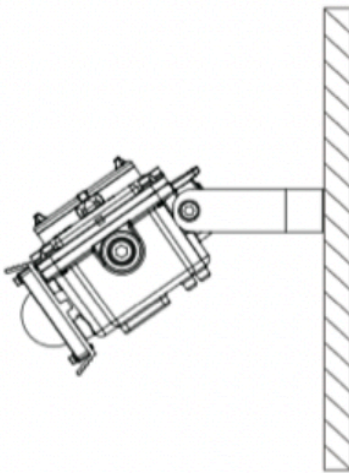
Option 1: Ceiling Mount



Accessory



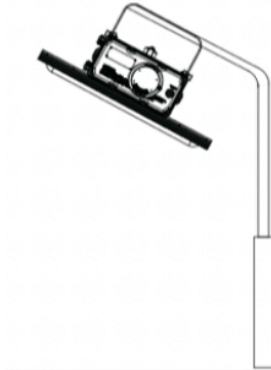
Option 2: Wall Mount



Accessory



Option 3: Pole Mount

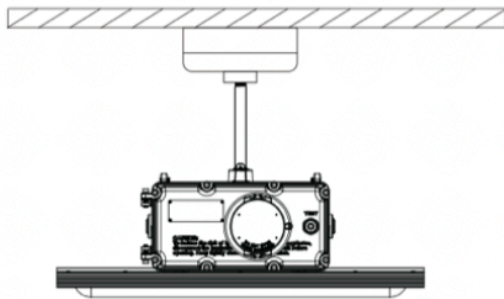


Accessory



Bracket

Option 4: Pendant Mount



Accessory

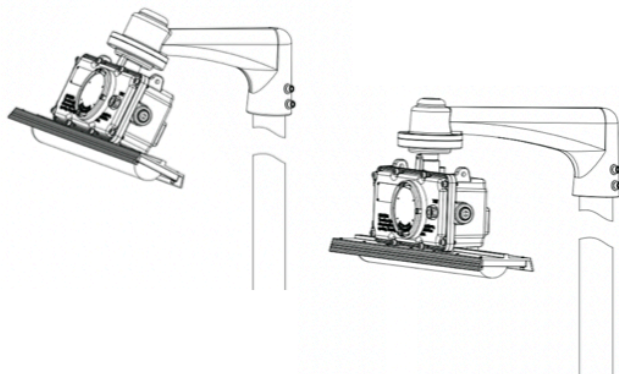


EX Junction Box



Threaded Pipe

Option 5: Stanchion Pole Mount



Accessory



25° Stanchion Pole Mount

90° Stanchion Pole Mount (Not Shown)

Option 6: Wall Stanchion Mount With Junction Box

Accessory



**25° Stanchion
Junction Box**



**90° Stanchion
Junction Box**

Option 7: 45° Pole Mount

Accessory



45° Bracket

Option 8: Hook & Chain Mount

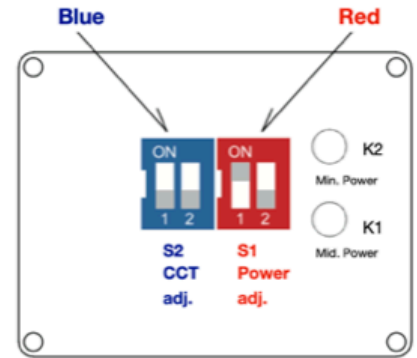
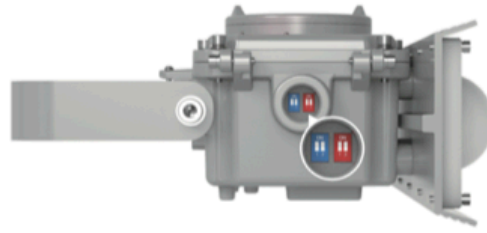
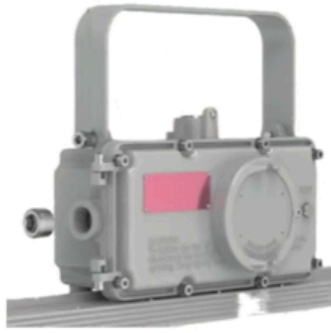
Accessory



Lifting Hook






Chain



OPERATING INSTRUCTIONS




S1 DIP SWITCH - RED (S1 Power adj.)

The power adjustment dial switch can be set to three power levels, and the factory default setting can be defined according to order requirements.

-  First gear (Max. power), 100% full power.
Operation instructions: Dial 1 and 2 are both in the OFF position;
Example: 100W
-  Second gear (Mid. power), 70%-80% power, can be set according to the required power.
Operation instructions: Dial 1 is in the ON position, Dial 2 is in the OFF position;
Example: 80W
-  Third gear (Min. power), 50%-60% power, can be set according to the required power.
Operation instructions: Dial 1 is in the OFF position, Dial 2 is in the ON position;
Example: 60W

S2 DIP SWITCH - BLUE (S2 CCT adj.)

The color temperature dial switch can be set to three levels of color temperature, and the factory default setting can be defined according to order requirements.

-  First gear, the cold white temperature gear, for example, 6000K.
Operation instructions: Dial 1 and 2 are both in the OFF position;
6500K
-  Second gear, the neutral temperature gear, for example, 5000K.
Operation instructions: Dial 1 is in the ON position, and Dial 2 is in the OFF position;
5000K
-  Third gear, the warm white temperature gear, for example, 4000K.
Operation instructions: Dial 1 and 2 are both in the ON position;
4000K

(1) Power Adjuster:

Connect to the 0/1-10V dimming port of the LED driver.

(2) CCT Adjuster:

Connect the output voltage of the LED driver:
DC20 - 60V LED driver maximum no - load output voltage: 68V max

(3) The three - gear power setting principle is as follows:

The first gear is 100%, the second gear is 70 - 80%, and the third gear is 50 - 60%.
The minimum setting cannot be lower than 50%.