



**Class 1 Division 2**



## Key Features

- FEATURES:** High Temperature (up to 110° C)  
Driverless Integrated Circuit  
Extremely Light Weight  
Modern Design
- OPTIONS:** 2' & 4' Body Lengths  
3 Mounting Styles. Impact Resistant  
Low or Medium Voltage

# Compliance

UL 844  
Class I Division 2 Groups A, B, C, D  
Class II Division 2 Groups F, G  
Class III  
UL 1598

Vibration 3G  
IP66  
IK10 (Glass with wire guard)  
500 Hours Salt Spray  
ABS  
NEMA4X

# Applications

## **Oil and Gas**

Petroleum production and refining  
Petroleum loading, storage, transportation and retail  
Confined spaces with vapor accumulation  
LNG and LPG handling  
Oil tankers and shipping vessels  
Fuel system testing facilities

## **Power Plants**

Coal-fired power plants, including coal handling and storage areas  
Gas-fired power plants with fuel storage  
Nuclear power facilities in hazardous auxiliary areas  
Biomass or waste-to-energy plants with combustible dust risks

## **Industrial**

Industrial storage facilities  
Paper mills, sawmills and lumber yards  
Loading dock platforms  
Manufacturing plants for heavy industrial goods  
Warehouses handling flammable materials

## **Waste Treatment**

Wastewater treatment plants  
Pumping stations  
Solid waste processing and incineration facilities  
Sewage treatment with methane gas risks  
Hazardous waste recycling centers

## **Mining**

Operations and service areas  
Underground mining tunnels with gas accumulation

## **Chemical Industry**

Chemical production, processing and storage facilities  
Solvent handling and mixing areas  
Chemical research labs with flammable substances

## **Ocean, Marine and Aerospace**

Offshore platform operation facilities and structures  
Marine and saltwater environments  
Aerospace clean rooms and production areas  
Ocean vessel operations  
Shipyards and dry docks  
Aircraft hangars with fuel vapors

## **Metal Treatment**

Paint facilities  
Steel and aluminum factories  
Metal smelting, foundry and fabrication  
Welding and cutting areas with gas risks

## **Military and Defense**

Ammunition storage and handling  
Fuel depots and refueling stations  
Explosives manufacturing  
Vehicle maintenance bays in hazardous zones

## **Food, Alcohol and Agriculture Industry**

Flour and fine particle production and storage  
Food and distilling production  
Grain storage elevators and silos  
Breweries and fermentation tanks  
Feed mills with dust risks  
Fertilizer production and storage

## **Pharmaceutical Industry**

Drug manufacturing and solvent handling  
Clean rooms with volatile compounds  
Pill coating and drying areas  
Research and development labs

## **Other high humidity, high dust, high temperature and vapor locations**

# Specifications

Wattage	20W	30W	40W	50W	10W	20W	30W	40W	50W	60W	80W	100W
Body	HT 2				HT 4							

## OPTICAL

Lumen Output	2600	3900	5200	6500	1300	2600	3900	5200	6500	7800	10400	13000
Lumens Per Watt	130 lm/W											
Color Temperature: CCT	<b>Standard:</b> 5000K <b>Options:</b> 1700K - 7500K											
CRI (Color Rendering Index)	>70											
Beam Angle	120°											
Dimming	Non Dimming											
LED Lifespan	100,000-Hour LED lifespan based on IES LM-80 results and TM-21											

## ENVIRONMENTAL

Ambient Operating Temperature	T4A: -40°C to +105°C (-40°F to +221°F)	T4A: -40°C to +100°C (-40°F to +212°F)	T4A: -40°C to +95°C (-40°F to +203°F)	T4A: -40°C to +85°C (-40°F to +185°F)	T4A: -40°C to +110°C (-40°F to +230°F)	T4A: -40°C to +105°C (-40°F to +221°F)	T4A: -40°C to +100°C (-40°F to +212°F)	T4A: -40°C to +95°C (-40°F to +203°F)	T4A: -40°C to +80°C (-40°F to +176°F)
Temperature Code	T5: (+105°C)	T5: (+100°C)	T5: (+95°C)	T5: (+85°C)	T5: (+110°C)	T5: (+105°C)	T5: (+100°C)	T5: (+95°C)	T5: (+80°C)

## MECHANICAL

Housing Material	Die-cast Aluminum
Lens Diffuser	Frosted Glass Diffuser
Hardware	Stainless Steel 304
Gasket	Silicone Rubber and Drawn Aluminum
Mounting	U-Bracket Mount
Cable Entry	3/4" NPT
Warranty	1 Year Limited Warranty - Fixture

## ELECTRICAL

Lifespan	50,000-hour
Input Voltage	120/277VAC
Input Frequency	50/60Hz
Power Factor	> 0.95

# Ordering Logic

ORDER EXAMPLE: HLL HT EX 60W HTA4 N 57 D120 M3 M

(1) Product	(2) Product Category	(3) Wattage	(4) Shape Series	
HLL HT	EX - Explosion Proof	10W (1,300 lm) [HT4] 20W (2,600 lm) [HT2, HT4] 30W (3,900 lm) [HT2, HT4] 40W (5,200 lm) [HT2, HT4] 50W (6,500 lm) [HT2, HT4] 60W (7,800 lm) [HT4] 80W (10,400 lm) [HT4] 100W (13,000 lm) [HT4]	HTA2 - 2' HTA4 - 4'	
(5) Dimable	(6) Kelvin	(7) Beam Angle	(8) Mounting	(9) Voltage
N - Non Dimable	17 - 1700 K 27 - 2700 K 30 - 3000 K 57 - 5700 K (S) 60 - 6000 K 65 - 6500 K 75 - 7500 K	D120 - 120°	M1 - Pole Mounting M2 - Pendant Mounting M3 - U-Bracket Mounting	L - 120 V M - 277 V

(S) Standard

## Accessories



Pole



Suspension Cable

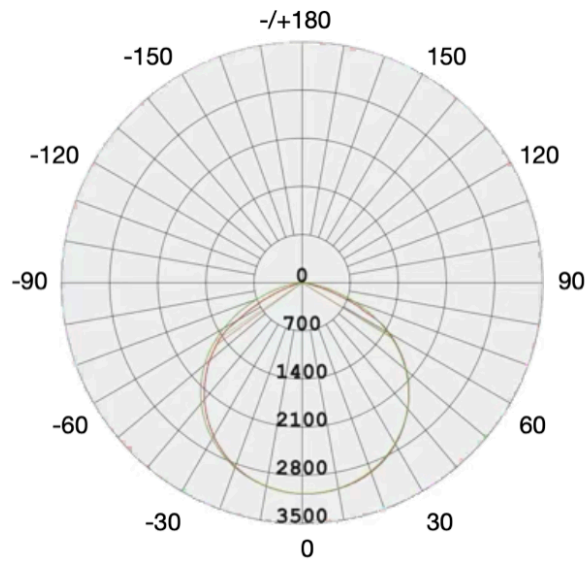


U-Bracket  
HT 2



U-Bracket  
HT 4

# Photometric



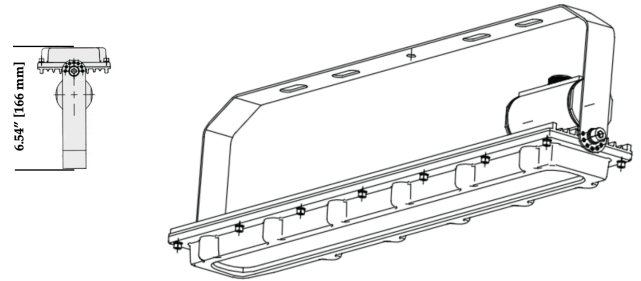
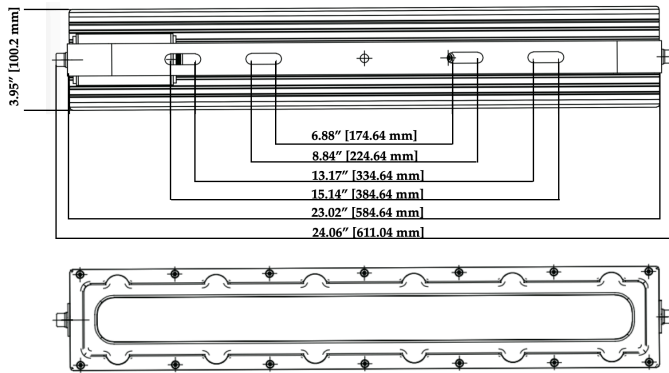
120 Degree

Average Beam Angle (50%): 113.7 Degree

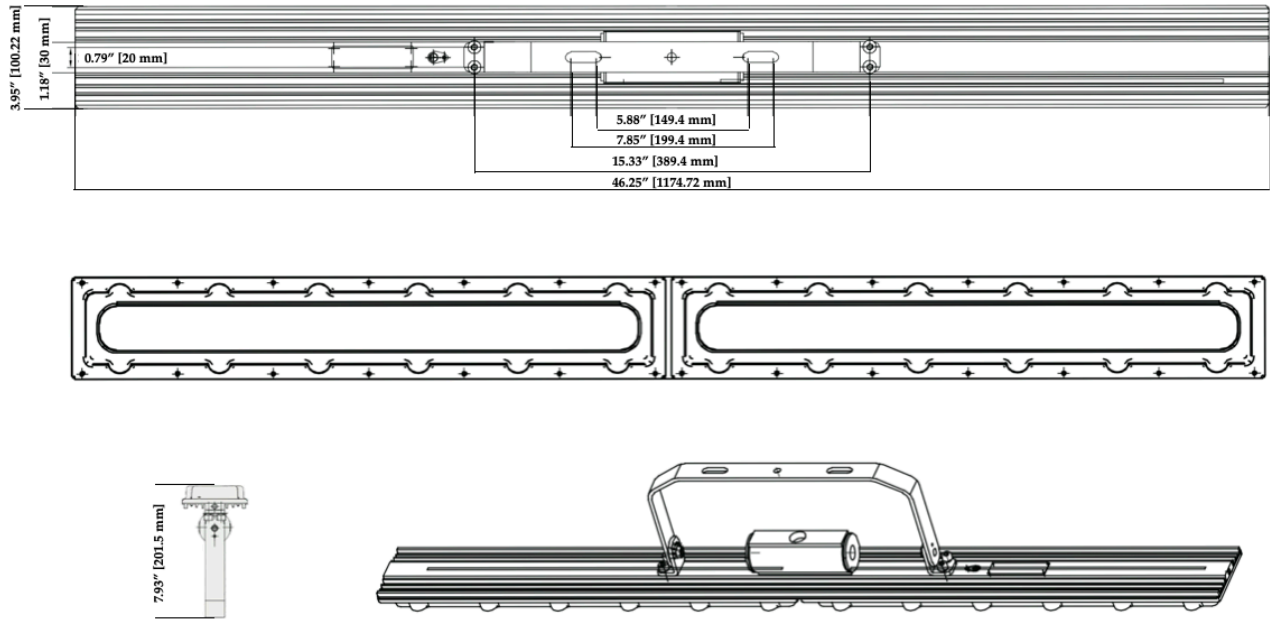
- UNIT: cd
- C0/180,113.0°
- C90/270,114.5°

# Product Dimensions

## HLL T HT 2



## HLL T HT 4



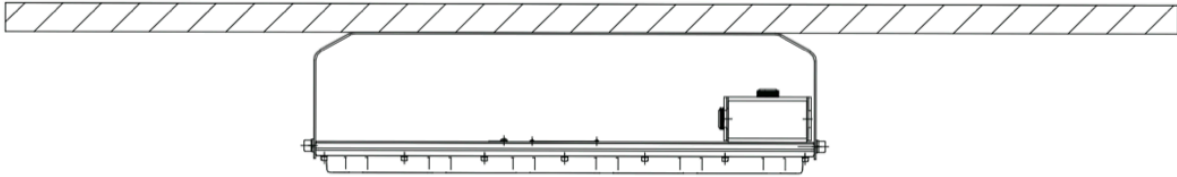
## Packaging Information

	HT 2	HT 4
Pieces	1	1
Fixture Dimensions	See Product Dimensions Drawing	See Product Dimensions Drawing
Package Dimensions	26.57" x 7.68" x 9.25" (675mm x 195mm x 235 mm)	48.78" x 7.48" x 9.06" (1239mm x 190mm x 230 mm)
Net Fixture Weight	5.40 lb (2.45 kg)	10.80 lb (4.9 kg)
Gross Weight	7.47 lb (3.39 kg)	15.21 lb (6.9 kg)

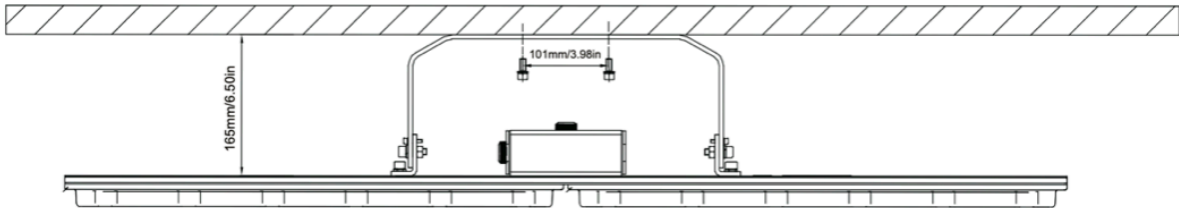
# Mounting Methods

## Option 1: U-bracket Mounting (Included)

HT 2

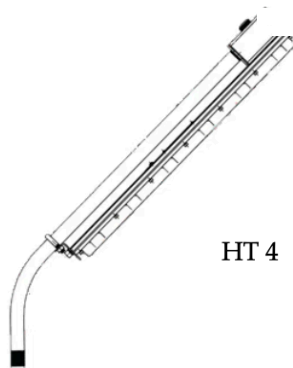


HT 4



## Option 2: Pole Mounting (Purchase Separately)

HT 2



HT 4



**Option 3: Pendant Mounting (Purchase Separately)**

