

Compliance

UL 844 Hazardous Locations
Class I Division 2 Groups A, B, C, D
Class II Division 1 Groups E, F, G
Class II Division 2 Groups F, G
Class III

UL 1598 Suitable for Wet Locations
UL 1598A Marine Saltwater
UL 924 Emergency Lighting Equipment
UL 8750 LED Safety
IP66
IK10
ETL
ABS
DLC

Applications

Oil and Gas

Petroleum production and refining
Petroleum loading, storage, transportation and retail
Confined spaces with vapor accumulation
LNG and LPG handling
Oil tankers and shipping vessels
Fuel system testing facilities

Power Plants

Coal-fired power plants, including coal handling and storage areas
Gas-fired power plants with fuel storage
Nuclear power facilities in hazardous auxiliary areas
Biomass or waste-to-energy plants with combustible dust risks

Industrial

Industrial storage facilities
Paper mills, sawmills and lumber yards
Loading dock platforms
Manufacturing plants for heavy industrial goods
Warehouses handling flammable materials

Waste Treatment

Wastewater treatment plants
Pumping stations
Solid waste processing and incineration facilities
Sewage treatment with methane gas risks
Hazardous waste recycling centers

Mining

Operations and service areas
Underground mining tunnels with gas accumulation

Chemical Industry

Chemical production, processing and storage facilities
Solvent handling and mixing areas
Chemical research labs with flammable substances

Ocean, Marine and Aerospace

Offshore platform operation facilities and structures
Marine and saltwater environments
Aerospace clean rooms and production areas
Ocean vessel operations
Shipyards and dry docks
Aircraft hangars with fuel vapors

Metal Treatment

Paint facilities
Steel and aluminum factories
Metal smelting, foundry and fabrication
Welding and cutting areas with gas risks

Military and Defense

Ammunition storage and handling
Fuel depots and refueling stations
Explosives manufacturing
Vehicle maintenance bays in hazardous zones

Food, Alcohol and Agriculture Industry

Flour and fine particle production and storage
Food and distilling production
Grain storage elevators and silos
Breweries and fermentation tanks
Feed mills with dust risks
Fertilizer production and storage

Pharmaceutical Industry

Drug manufacturing and solvent handling
Clean rooms with volatile compounds
Pill coating and drying areas
Research and development labs

Other high humidity, high dust, high temperature and vapor locations

Specifications

Wattage	10W	20W	30W	40W	50W	60W	10W	20W	30W	40W	50W	60W
Body	JR2						JR4					

OPTICAL

Lumen Output	1300 lm	2600 lm	3900 lm	5200 lm	6500 lm	7800 lm	1300 lm	2600 lm	3900 lm	5200 lm	6500 lm	7800 lm
Lumens Per Watt	130 lm/W											
Color Temperature: CCT	SELECTABLE: Standard 5000K Options: 2700K- 6500K											
CRI (Color Rendering Index)	>70											
Beam Angle	120°											
Dimming	0-10V dimming											

ENVIRONMENTAL

Ambient Operating Temperature	T5: -40°C to +60°C (-40°F to 140°F)	T5: -40°C to +60°C (-40°F to 140°F)
Temperature Code	T5 +60°C	T5 +60°C
Power Model (120-277VAC/347VAC)	SS-55EP-M54BH	SS-75VP-M54BH
Power Model (277-480 VAC)	VA-40V-054B	HVG-100-48AB
Power Model (120-347 VAC)	SS-55EP-M54BH	SS-75EP-M54BH

MECHANICAL

Housing Material	SUS 304 Stainless steel
Lens Diffuser	Clear Flat PC
Hardware	Stainless steel
Finish	Epoxy Powder Coating
Gasket	Silicone Rubber
Fixture Color	Matte White
Mounting	Ceiling, Rope, Pole
Cable Entry	4 x M20 (1 side with cable gland, 3 sides with blanking plugs)
Warranty	5 Year Standard Warranty (Battery Back Up: 3 Year)

ELECTRICAL

Lifespan	50,000-hour LED lifespan based on IES LM-80 results and TM-21 calculations
Input Voltage	120-277VAC, 120-347VAC, 277-480VAC
Input Frequency	50/60Hz
Power Factor	> 0.95

EMERGENCY

Emergency Time	1.5 Hour, 3 Hour
----------------	------------------

Ordering Logic

ORDER EXAMPLE: HLL J EX 50W JR4 D 50 D120 T

(1) Product (2) Product Category (3) Wattage (4) Shape Series (5) Dimming

HLL J	EX - Explosion Proof	Inquire About Wattage Combinations: 10W/20W/30W/40W/50W/60W	JR2 JR4	Blank - Non-Dimmable D - Dimmable (S)
-------	----------------------	--	------------	--

(6) CCT (7) Beam Angle (8) Lens (9) Dual Tunable (10) Backup Power Source

27 - 2700 K 40 - 4000 K 50 - 5000 K (S)	D120 - 120° (S)	CFP or Blank - Clear Flat PC (S)	T - With Tunable	Blank - Without Emergency Function (S) EM - Emergency Back Up
---	-----------------	----------------------------------	------------------	--

(S) Standard

Accessories

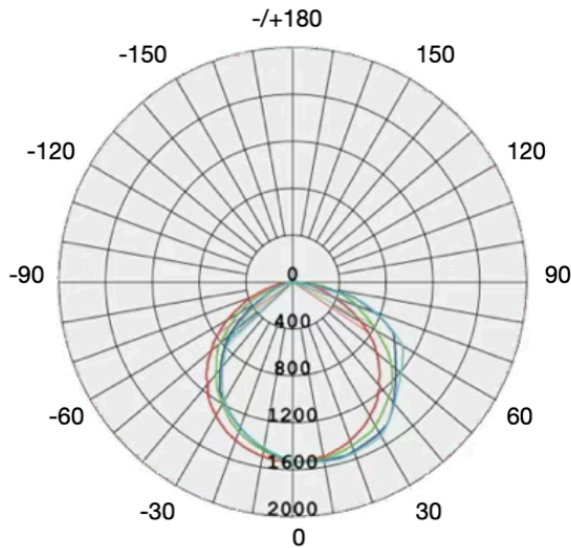


Pole Mounting



Suspension Cable

Photometric

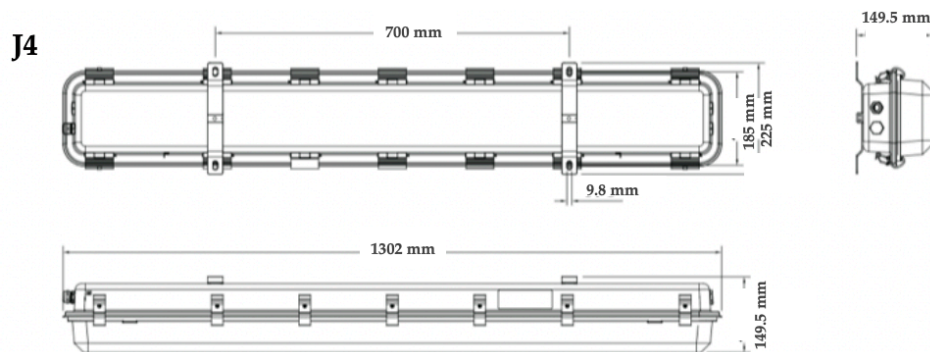
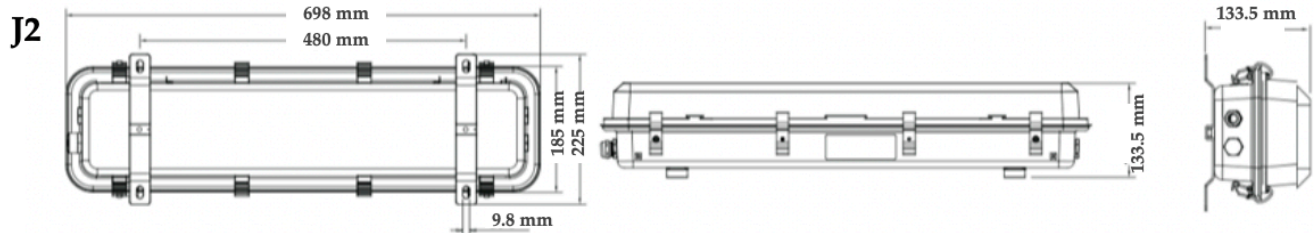


120 Degree

Average Beam Angle (50%): 114.4 Degree

- UNIT: cd
- C0/180, 112.1°
 - C30/210, 113.6°
 - C60/240, 116.8°
 - C90/270, 115.0°

Product Dimensions

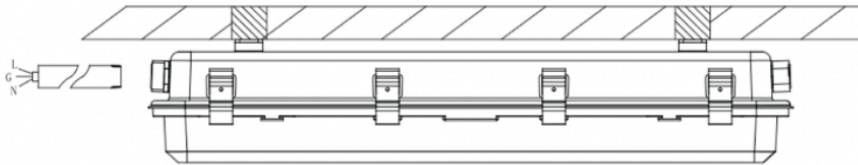


Packaging Information

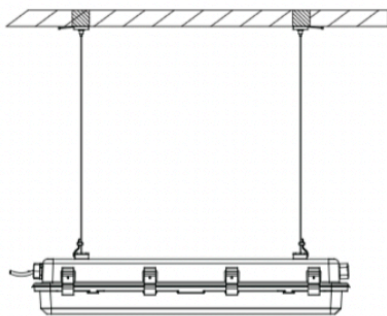
	J2	J4
Pieces	1	1
Fixture Dimensions	See Product Dimensions Drawing	See Product Dimensions Drawing
Package Dimensions	31.50" x 9.84" x 6.89" (800mm x 250mm x 175mm)	55.12" x 9.84" x 6.89" (1400mm x 250mm x 175mm)
Net Fixture Weight	11.62 lb (5.27 kg)	19.66 lb (8.92 kg)
Gross Weight	14.44 lb (6.55kg)	24.69 lb (11.2 kg)

Mounting Methods

Option 1: Ceiling Mount



Option 2: Rope Mount

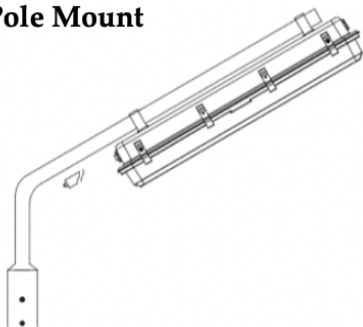


Accessory



Suspension Cable

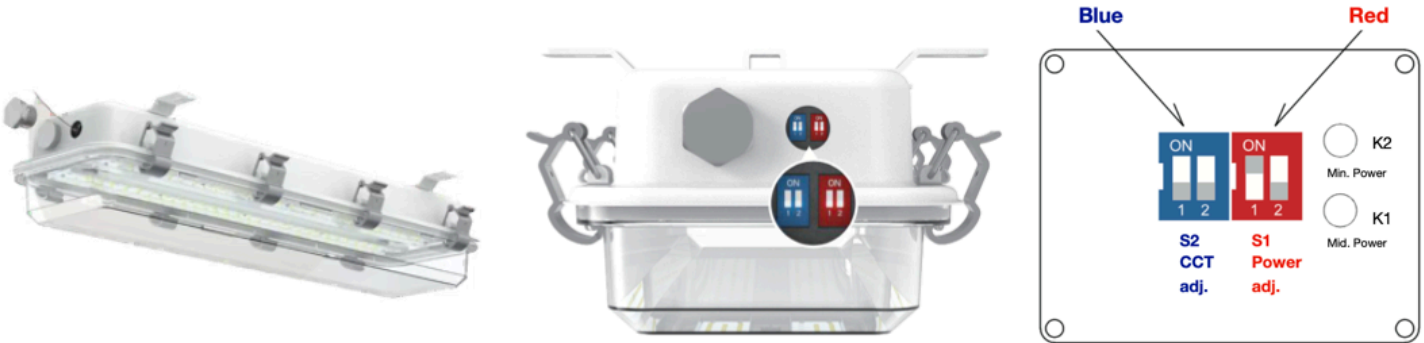
Option 3: Pole Mount



Accessory




Pole Mount





OPERATING INSTRUCTIONS

S1 DIP SWITCH - RED (S1 Power adj.)

The power adjustment dial switch can be set to three power levels, and the factory default setting can be defined according to order requirements.

- 


First gear (Max. power), 100% full power.
Operation instructions: Dial 1 and 2 are both in the OFF position;
Example: 100W
- 


Second gear (Mid. power), 70%-80% power, can be set according to the required power.
Operation instructions: Dial 1 is in the ON position, Dial 2 is in the OFF position;
Example: 80W
- 


Third gear (Min. power), 50%-60% power, can be set according to the required power.
Operation instructions: Dial 1 is in the OFF position, Dial 2 is in the ON position;
Example: 60W

S2 DIP SWITCH - BLUE (S2 CCT adj.)

The color temperature dial switch can be set to three levels of color temperature, and the factory default setting can be defined according to order requirements.

- 

First gear, the cold white temperature gear, for example, 6500K.
Operation instructions: Dial 1 and 2 are both in the OFF position;
6500K
- 

Second gear, the neutral temperature gear, for example, 5000K.
Operation instructions: Dial 1 is in the ON position, and Dial 2 is in the OFF position;
5000K
- 

Third gear, the warm white temperature gear, for example, 4000K.
Operation instructions: Dial 1 and 2 are both in the ON position;
4000K

(1) Power Adjuster:

Connect to the 0/1-10V dimming port of the LED driver.

(2) CCT Adjuster:

Connect the output voltage of the LED driver:
DC20 - 60V LED driver maximum no - load output voltage: 68V max

(3) The three - gear power setting principle is as follows:

The first gear is 100%, the second gear is 70 - 80%, and the third gear is 50 - 60%.
The minimum setting cannot be lower than 50%.