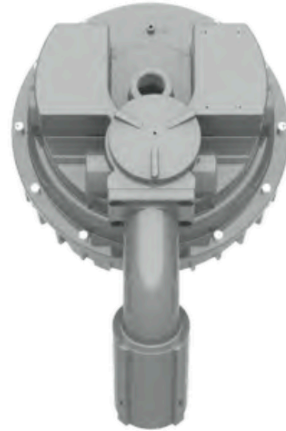




Flame-proof and Increased Safe Type



Cover (Optional)



Convex Glass (Optional)

Class 1 Division 1

Key Features

FEATURES: Round Low-Bay Area Light (Rugged)
Compact
Low Mounting
Cost Effective
Flame Proof
High Heat
Designed for Jib and Cranes

OPTIONS: 2 Body Sizes
4 Mounting Styles
Convex or Flat Glass
High Voltage
40°, 60°, 90° or 120°

Compliance

UL 844 Hazardous Locations
Class I Division 1 Groups B, C, D
Class I Division 2 Groups A, B, C, D
Class II Division 1 Groups E, F, G
Class II Division 2 Groups F, G
Zone 1, 2, 21, 22
Class III
UL 1598 Suitable for Wet Locations
UL 1598A Marine Saltwater

IP66
IK08 (Glass Cover)
IK10 (With Wire Guard)
1000 Hours Salt Spray
ABS
3G Vibration

Applications

Oil and Gas

Petroleum production and refining
Petroleum loading, storage, transportation and retail
Confined spaces with vapor accumulation
LNG and LPG handling
Oil tankers and shipping vessels
Fuel system testing facilities

Power Plants

Coal-fired power plants, including coal handling and storage areas
Gas-fired power plants with fuel storage
Nuclear power facilities in hazardous auxiliary areas
Biomass or waste-to-energy plants with combustible dust risks

Industrial

Industrial storage facilities
Paper mills, sawmills and lumber yards
Loading dock platforms
Manufacturing plants for heavy industrial goods
Warehouses handling flammable materials

Waste Treatment

Wastewater treatment plants
Pumping stations
Solid waste processing and incineration facilities
Sewage treatment with methane gas risks
Hazardous waste recycling centers

Mining

Operations and service areas
Underground mining tunnels with gas accumulation

Chemical Industry

Chemical production, processing and storage facilities
Solvent handling and mixing areas
Chemical research labs with flammable substances

Ocean, Marine and Aerospace

Offshore platform operation facilities and structures
Marine and saltwater environments
Aerospace clean rooms and production areas
Ocean vessel operations
Shipyards and dry docks
Aircraft hangars with fuel vapors

Metal Treatment

Paint facilities
Steel and aluminum factories
Metal smelting, foundry and fabrication
Welding and cutting areas with gas risks

Military and Defense

Ammunition storage and handling
Fuel depots and refueling stations
Explosives manufacturing
Vehicle maintenance bays in hazardous zones

Food, Alcohol and Agriculture Industry

Flour and fine particle production and storage
Food and distilling production
Grain storage elevators and silos
Breweries and fermentation tanks
Feed mills with dust risks
Fertilizer production and storage

Pharmaceutical Industry

Drug manufacturing and solvent handling
Clean rooms with volatile compounds
Pill coating and drying areas
Research and development labs

Other high humidity, high dust, high temperature and vapor locations

Specifications

Wattage	Max. 80W	Max. 150W
Body	S1	S2

OPTICAL

Lumen Output	10400 lm	19500 lm
Lumens Per Watt	130 lm/W	
Color Temperature: CCT	Standard: 5000K Options: 3000K - 6500K	
CRI (Color Rendering Index)	>70	
Beam Angle	120° Standard 40°, 60°, 90°option	

ENVIRONMENTAL

Ambient Operating Temperature	-40°C to +65°C (-40°F to +149°F)
-------------------------------	----------------------------------

MECHANICAL

Housing Material	Aluminum Alloy ADC12	
Lens Diffuser	Tempered glass: Flat (Standard) Convex Option	
Mounting	Pole (25°/90°), Jib, U-bracket	
Cable Entry	3/4" NPT	
Warranty	5 Year Standard Warranty	5 Year Standard Warranty

ELECTRICAL

Lifespan	L70> 150,000 Operational Hours @ 55°C	
Input Voltage	120-277VAC, 200-480VAC	
Input Frequency	50/60Hz	
Power Factor	> 0.95	

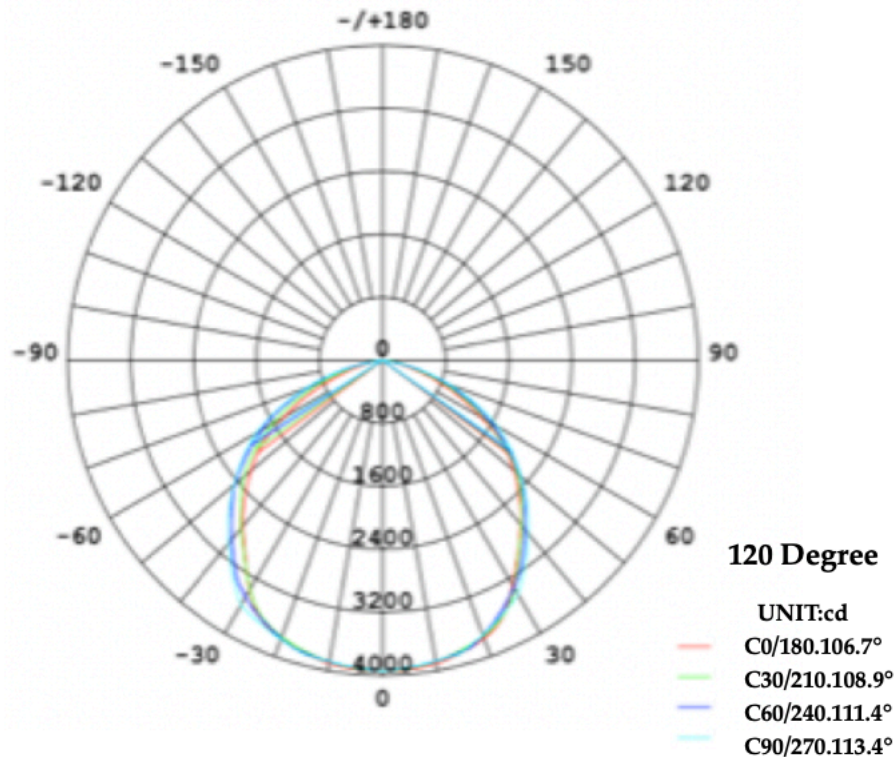
Ordering Logic

ORDER EXAMPLE: HLL S EX 80W S1 D 50 D120 U

(1) Product	(2) Product Category	(3) Wattage	(4) Shape Series
HLL S	EX - Explosion Proof	80W (10,400 lm)	S1 - S1 (80w)
		150W (19,500 lm)	S2 - S2 (150W)
(5) Dimming	(6) Kelvin	(7) Beam Angle	(8) Mount
D - Dimmable	30 - 3000 K	D40 - 40°	U - U Bracket Mounting
N - Non-Dimmable	40 - 4000 K	D60 - 60°	P90 - Pole Mount 90°
	50 - 5000 K (S)	D90 - 90°	P25 - Pole Mount 25°
		D120 - 120° (S)	J - Jib Mounting

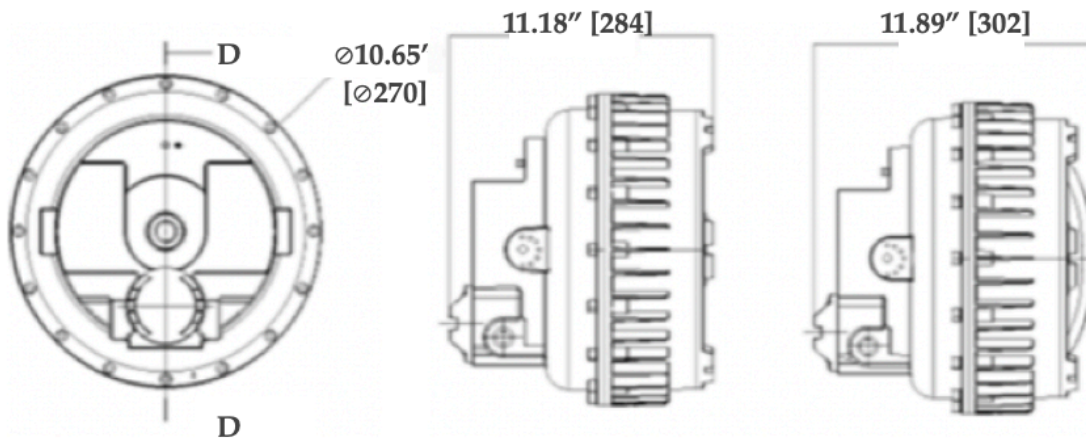
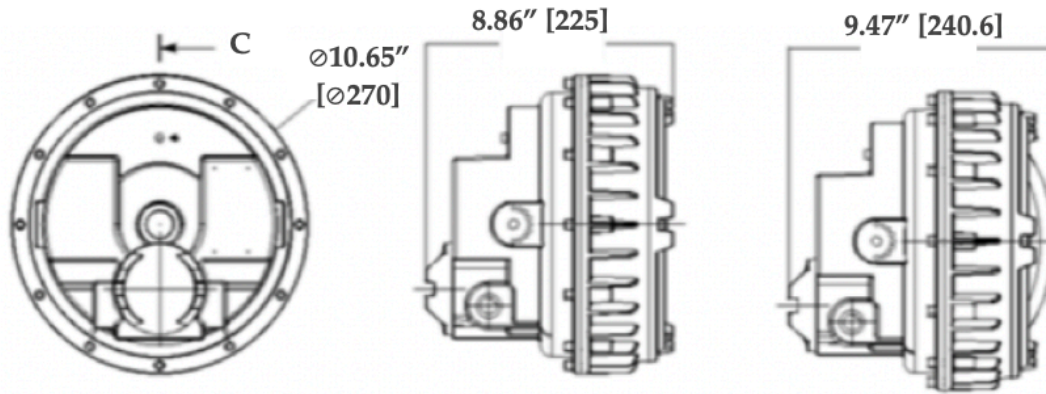
(S) Standard

Photometric



Average Beam Angle (50%):110.1 DEG

Product Dimensions



Packaging Information

	S1	S2
Pieces	1	1
Fixture Dimensions	See Product Dimensions Drawing	See Product Dimensions Drawing
Package Dimensions	16.54" x 18.50" x 12.60" (420mm x 470mm x 320mm)	19.69" x 18.5" x 15.75" (500mm x 470mm x 400mm)
Net Fixture Weight	9.5 kg/ 20.9 lb	18.02 kg/ 39.7 lb
Gross Weight	11.65 kg/ 25.7 lb	20.55 kg/ 45.3 lb

Mounting Methods

Option 1: Stanchion 90° Mounting



Option 2: Stanchion 25° Mounting



Option 3: Bracket Mounting

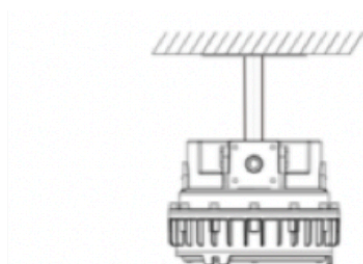


Accessory



Bracket

Option 4: Pendant Mounting



Accessory



Straight Pipe

1. Ensure all the power is turned off.
2. Open the junction box.
3. Install 3/4" trade size conduit to 3/4" NPT adapter on the luminaire.
4. Connect the L, N, G from branch to the slots of terminal block, according to the marking on terminal block.
5. Close the power connecting cavity.

