



S2



S4

**Class 1 Division 1**



## Key Features

**FEATURES:** Tunable Wattage  
Adjustable CCT

Compact Rugged Low-Bay/High-Bay Area Light  
High Lumen efficiency up to 145 lm/W  
Impact Resistant & Flame Proof  
Cost Effective

**OPTIONS:** Convex or Flat Glass

2 Body Sizes  
4 Mounting Styles  
High Heat  
T2, T3, T5, 40°, 60°, 90° or 120°  
Compatible for Jib and Crane use  
Lens: Flat or Convex / Clear or Frosted - Glass  
High Voltage  
Emergency Back-Up

# Compliance

UL 844 Hazardous Locations  
Class I Division 1 Groups B, C, D  
Class I Division 2 Groups A, B, C, D  
Class II Division 1 Groups E, F, G  
Class II Division 2 Groups F, G  
Class III  
UL 1598 Suitable for Wet Locations  
UL 1598A Marine Saltwater

IP66  
IK10  
ABS

# Applications

## **Oil and Gas**

Petroleum production and refining  
Petroleum loading, storage, transportation and retail  
Confined spaces with vapor accumulation  
LNG and LPG handling  
Oil tankers and shipping vessels  
Fuel system testing facilities

## **Power Plants**

Coal-fired power plants, including coal handling and storage areas  
Gas-fired power plants with fuel storage  
Nuclear power facilities in hazardous auxiliary areas  
Biomass or waste-to-energy plants with combustible dust risks

## **Industrial**

Industrial storage facilities  
Paper mills, sawmills and lumber yards  
Loading dock platforms  
Manufacturing plants for heavy industrial goods  
Warehouses handling flammable materials

## **Waste Treatment**

Wastewater treatment plants  
Pumping stations  
Solid waste processing and incineration facilities  
Sewage treatment with methane gas risks  
Hazardous waste recycling centers

## **Mining**

Operations and service areas  
Underground mining tunnels with gas accumulation

## **Chemical Industry**

Chemical production, processing and storage facilities  
Solvent handling and mixing areas  
Chemical research labs with flammable substances

## **Ocean, Marine and Aerospace**

Offshore platform operation facilities and structures  
Marine and saltwater environments  
Aerospace clean rooms and production areas  
Ocean vessel operations  
Shipyards and dry docks  
Aircraft hangars with fuel vapors

## **Metal Treatment**

Paint facilities  
Steel and aluminum factories  
Metal smelting, foundry and fabrication  
Welding and cutting areas with gas risks

## **Military and Defense**

Ammunition storage and handling  
Fuel depots and refueling stations  
Explosives manufacturing  
Vehicle maintenance bays in hazardous zones

## **Food, Alcohol and Agriculture Industry**

Flour and fine particle production and storage  
Food and distilling production  
Grain storage elevators and silos  
Breweries and fermentation tanks  
Feed mills with dust risks  
Fertilizer production and storage

## **Pharmaceutical Industry**

Drug manufacturing and solvent handling  
Clean rooms with volatile compounds  
Pill coating and drying areas  
Research and development labs

## **Other high humidity, high dust, high temperature and vapor locations**

# Specifications

Wattage	20 W	30 W	40 W	50 W	60 W	80 W	100 W	150 W	20 W	30 W	40 W	50 W	60 W	80 W	100 W	120 W	180 W	200 W	240 W
Body	S1								S2										

## OPTICAL

Lumen Output	2900 lm	4350 lm	5800 lm	7250 lm	8700 lm	11600 lm	14500 lm	21750 lm	2900 lm	4350 lm	5800 lm	7250 lm	8700 lm	11600 lm	14500 lm	17400 lm	26100 lm	29000 lm	34800 lm
Lumens Per Watt	145 lm/W																		
Color Temperature: CCT	<b>SELECTABLE: Standard</b> 5000K <b>Options:</b> 2000K- 6500K																		
CRI (Color Rendering Index)	>70																		
Beam Angle	<b>Standard:</b> 120° <b>Options:</b> 40°/60°/90°/120°/T2/T3/T5																		
Dimming	0-10V dimming																		

## ENVIRONMENTAL

Ambient Operating Temperature	T5: -40°C to +55°C (-40°F to +131°F)	T5: -40°C to +50°C (-40°F to +122°F)[120-277V] T4A: -40°C to +55°C (-40°F to +131°F) [277-480V/120-347V]
Temperature Code	T5 +55°C	T5 +50°C, T4A +55°C
Power Model (120-277VAC/347VAC)	SS-150VA-56BHL	SS-240VA-56BHL
Power Model (277-480 VAC)	VA-150VAC-056B	VA-240VAC-056B
Power Model (120-347 VAC)	FD-150T-054D	FD-240T-054D

## MECHANICAL

Housing Material	Die-cast Aluminum
Lens Diffuser	<b>Standard:</b> Clear Flat Glass <b>Options:</b> Clear Flat Glass, Clear Convex Glass, Frosted Flat Glass, Frosted Convex Glass
Mounting	Ceiling, Wall, Pole, Pendant
Cable Entry	3/4" NPT
LED Chip	2835
Warranty	5 Year Standard Warranty

## ELECTRICAL

Lifespan	L70> 150,000 Operational Hours @ 55°C
Input Voltage	120-277VAC, 120-347VAC, 200-480VAC
Input Frequency	50/60Hz
Power Factor	> 0.95
LED Driver	Sosen/Fahold (120-277VAC/120-347): Meanwell (200-480VAC)

## EMERGENCY

Emergency Time	1.5 Hour, 3 Hour
----------------	------------------

# Ordering Logic

ORDER EXAMPLE: HLL S EX 100W S1 D 50 D120 T

(1) Product	(2) Product Category	(3) Rated Input Wattage	(4) Shape Series	(5) Dimming
HLL S	EX - Explosion Proof	100W: 100W/80W/60W [S1] 200W: 200W/150W/120W [S2] <a href="#">Inquire About Additional Wattage Combinations:</a> S1: 20W, 30W, 40W, 50W, 60W, 80W, 100W, 150W S1: 20W, 30W, 40W, 50W, 60W, 80W, 100W, 120W, 180W, 200W, 240W	S1 S2	Blank - Non-Dimmable D - Dimmable (S)
(6) Kelvin	(7) Beam Angle	(8) Lens	(9) Dual Tunable	(10) Backup Power Source
30 - 3000 K	D40 - 40°	CFG or Blank - Clear Flat Glass (S)	T - With Tunable	Blank - Without Emergency Function (S)
40 - 4000 K	D60 - 60°	CCG - Clear Convex Glass		EM - Emergency Back Up
50 - 5000 K (S)	D90 - 90°	FFG - Frosted Flat Glass		
57 - 5700 K	D120 - 120° (S)	FCG - Frosted Convex Glass		
65 - 6500 K	T2 - 60° T3 - 90° T5 - 120°			

(S) Standard

# Accessories



Bracket



Threaded Pipe

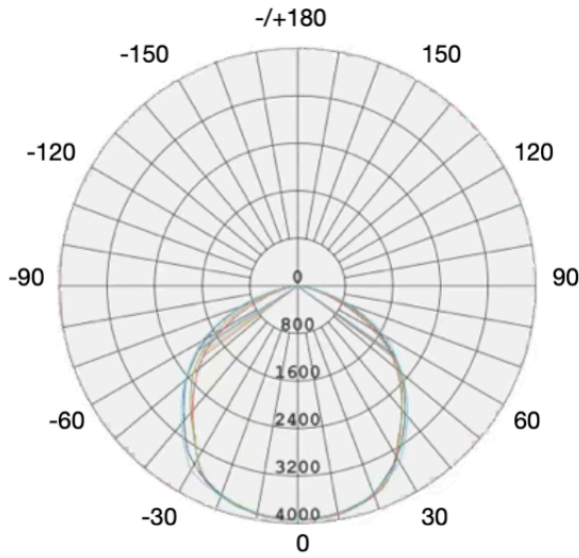


EX Junction Box



25° Pole Mount Bracket

# Photometric



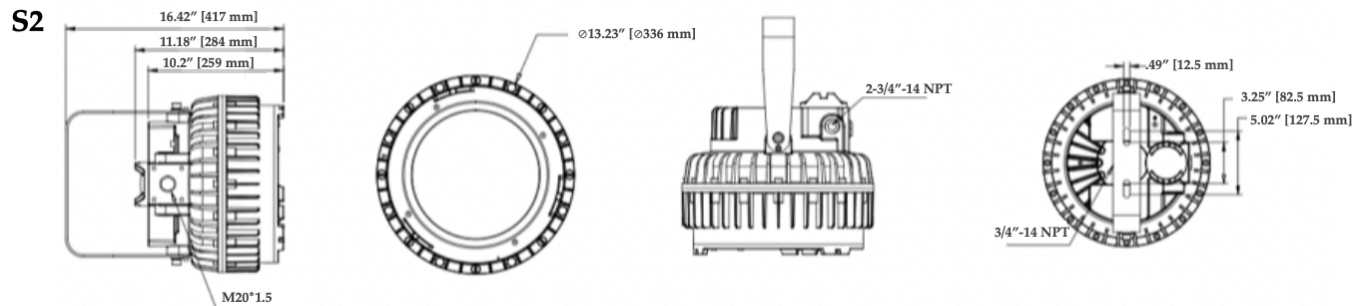
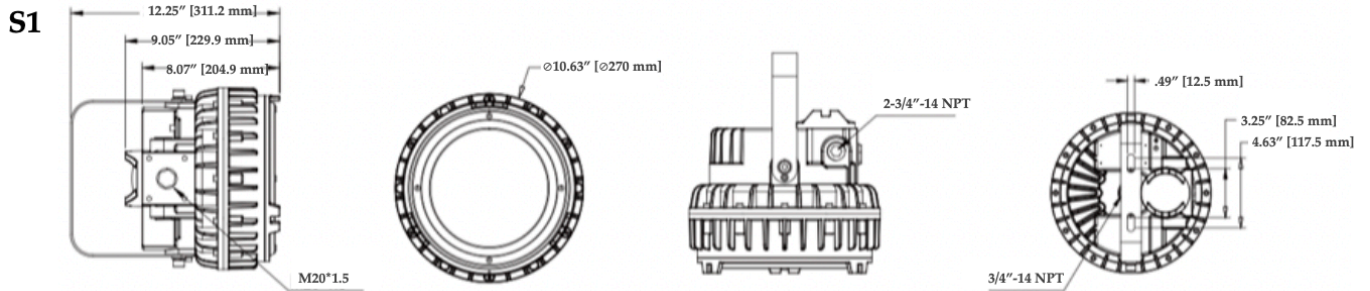
120 Degree

Average Beam Angle (50%): 110.1 Degree

UNIT: cd

- C0/180, 106.7°
- C30/210, 108.9°
- C60/240, 111.4°
- C90/270, 113.4°

# Product Dimensions

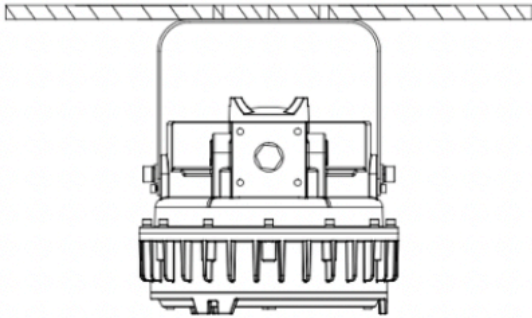


# Packaging Information

	S1	S2
Pieces	1	1
Fixture Dimensions	See Product Dimensions Drawing	See Product Dimensions Drawing
Package Dimensions	16.54" x 18.50" x 12.60" (420mm x 470mm x 320mm)	19.69" x 18.5" x 15.75" (500mm x 470mm x 400mm)
Net Fixture Weight	27.34 lb (12.4 kg)	44.31 lb (20.1 kg)
Gross Weight	29.32 lb (13.3kg)	47.62 lb (21.6 kg)

# Mounting Methods

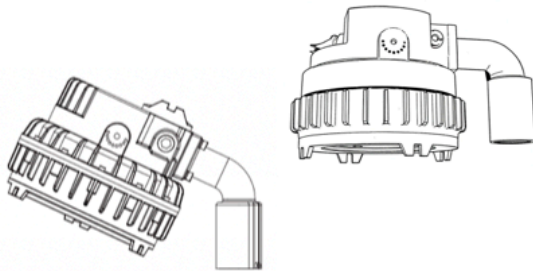
## Option 1: Ceiling Mount



## Accessory



## Option 2: Pole Mount



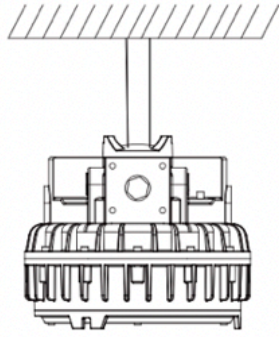
## Accessory



**25° Pole Mount Bracket**

**90° Pole Mount Bracket  
(Not Shown)**

**Option 3: Pendant Mount**



**Accessory**



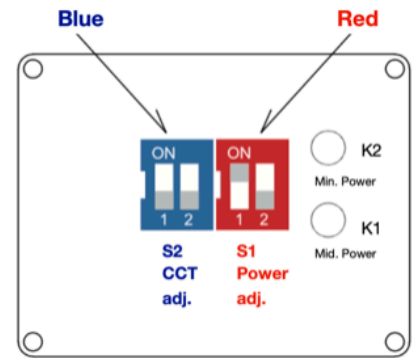
**Threaded Pipe**

**Option 4: Pendant Mounting with Junction Box**

**Accessory**






**EX Junction Box**



## OPERATING INSTRUCTIONS




### S1 DIP SWITCH - RED (S1 Power adj.)

**The power adjustment dial switch can be set to three power levels, and the factory default setting can be defined according to order requirements.**

-  First gear (Max. power), 100% full power.  
Operation instructions: Dial 1 and 2 are both in the OFF position;
- Example: 100W  
 Second gear (Mid. power), 70%-80% power, can be set according to the required power.  
Operation instructions: Dial 1 is in the ON position, Dial 2 is in the OFF position;
- Example: 80W  
 Third gear (Min. power), 50%-60% power, can be set according to the required power.  
Operation instructions: Dial 1 is in the OFF position, Dial 2 is in the ON position;

### S2 DIP SWITCH - BLUE (S2 CCT adj.)

**The color temperature dial switch can be set to three levels of color temperature, and the factory default setting can be defined according to order requirements.**

-  First gear, the cold white temperature gear, for example, 6000K.  
Operation instructions: Dial 1 and 2 are both in the OFF position;
- 6500K  
 Second gear, the neutral temperature gear, for example, 5000K.  
Operation instructions: Dial 1 is in the ON position, and Dial 2 is in the OFF position;
- 5000K  
 Third gear, the warm white temperature gear, for example, 4000K.  
Operation instructions: Dial 1 and 2 are both in the ON position;

#### (1) 4000K Power Adjuster:

Connect to the 0/1-10V dimming port of the LED driver.

#### (2) CCT Adjuster:

Connect the output voltage of the LED driver:

DC20 - 60V LED driver maximum no - load output voltage: 68V max

#### (3) The three - gear power setting principle is as follows:

The first gear is 100%, the second gear is 70 - 80%, and the third gear is 50 - 60%.

The minimum setting cannot be lower than 50%.