



## Class 1 Division 1

### Key Features

- FEATURES:** Round Low Bay Area Light Area Light  
**Extremely** Rugged  
Compact  
High lm/W  
BAA (Buy American Act)
- OPTIONS:** 2 Body Sizes (EX & EXL)  
10 Mounting Styles

# Compliance

UL 844 Hazardous Locations  
Class I Division 1 Groups C, D  
Class I Division 2 Groups A, B, C, D  
Class I Zone 2 Group IIC  
Class II Division 1 Groups E, F  
Class II Division 2 Groups E, F  
Class II Zone 20, 21, or 22 Group IIB  
Class III

UL 1598 Suitable for Wet Locations  
UL 1598A Marine Saltwater  
CSA C22.2 No. 250.0  
CSA C22.2 No. 137  
IP66 per IEC 60598-1 @-40°C to +55°C (-40°F to +131°F)  
1Ex d IIC T5 @-40°C to +55°C (-40°F to +131°F)



**(BAA)** Buy American Act, meeting the requirements for domestic manufacturing and material sourcing as outlined in 41 U.S.C. §§

# Applications

## **Oil and Gas**

Petroleum production and refining  
Petroleum loading, storage, transportation and retail  
Confined spaces with vapor accumulation  
LNG and LPG handling  
Oil tankers and shipping vessels  
Fuel system testing facilities

## **Power Plants**

Coal-fired power plants, including coal handling and storage areas  
Gas-fired power plants with fuel storage  
Nuclear power facilities in hazardous auxiliary areas  
Biomass or waste-to-energy plants with combustible dust risks

## **Industrial**

Industrial storage facilities  
Paper mills, sawmills and lumber yards  
Loading dock platforms  
Manufacturing plants for heavy industrial goods  
Warehouses handling flammable materials

## **Waste Treatment**

Wastewater treatment plants  
Pumping stations  
Solid waste processing and incineration facilities  
Sewage treatment with methane gas risks  
Hazardous waste recycling centers

## **Mining**

Operations and service areas  
Underground mining tunnels with gas accumulation

## **Chemical Industry**

Chemical production, processing and storage facilities  
Solvent handling and mixing areas  
Chemical research labs with flammable substances

## **Ocean, Marine and Aerospace**

Offshore platform operation facilities and structures  
Marine and saltwater environments  
Aerospace clean rooms and production areas  
Ocean vessel operations  
Shipyards and dry docks  
Aircraft hangars with fuel vapors

## **Metal Treatment**

Paint facilities  
Steel and aluminum factories  
Metal smelting, foundry and fabrication  
Welding and cutting areas with gas risks

## **Military and Defense**

Ammunition storage and handling  
Fuel depots and refueling stations  
Explosives manufacturing  
Vehicle maintenance bays in hazardous zones

## **Food, Alcohol and Agriculture Industry**

Flour and fine particle production and storage  
Food and distilling production  
Grain storage elevators and silos  
Breweries and fermentation tanks  
Feed mills with dust risks  
Fertilizer production and storage

## **Pharmaceutical Industry**

Drug manufacturing and solvent handling  
Clean rooms with volatile compounds  
Pill coating and drying areas  
Research and development labs

## **Other high humidity, high dust, high temperature and vapor locations**

# Specifications

Wattage	36W	60W	60 W
Body	EX		EXL

## OPTICAL

Lumen Output	5200 lm	8700 lm
Lumens Per Watt	140 lm/W	145 lm/W
Color Temperature: CCT	<b>Standard:</b> 5000K <b>Options:</b> 3000K - 5000K	
CRI (Color Rendering Index)	> 70	
Beam Angle	120°	
Light Source	Samsung LEDs / R1	

## ENVIRONMENTAL

Ambient Operating Temperature	-40°C to +55°C (-40°F to +131°F)	-40°C to +45°C (-40°F to +113°F)
Temperature Code	T5 (+55°C), T6 (+50°C)	T6 (+45°C)

## MECHANICAL

Housing Material	Copper free aluminum alloy	
Lens Diffuser	<b>GM:</b> Tempered borosilicate glass	
Hardware	Marine grade stainless steel	
Finish	Polyester powder coat finish	
Mounting	<b>SB:</b> Swivel Bracket <b>PM:</b> Pendant Mount <b>SAB:</b> Stanchion Mount 25° <b>SSB:</b> Stanchion Mount 90° <b>WAB:</b> Wall Mount 25° <b>WMB:</b> Wall Mount 90° <b>CMB:</b> Ceiling Mount <b>EMB:</b> Eye-Bolt Mount <b>SBB:</b> Swivel Bracket <b>PMB:</b> Pendant Mount	
Cable Entry	Classified for CID1 nickel plated brass adapter from M20 to 3/4" with 6' of wire	
Warranty	5 Year Standard Warranty	

## ELECTRICAL

Lifespan	L70> 70,000 Operational Hours @ 25°C L70> 40,000 Operational Hours @ 55°C	L70> 100,000 Operational Hours @ 25°C L70> 50,000 Operational Hours @ 45°C
----------	--	---

Input Voltage	Custom made 120-277VAC, 230-370VDC	MeanWell 90-295VAC/127-417VDC
Input Frequency	50/60Hz	
Power Factor	> 0.95	
THD (Total Harmonic Distortion)	< 30%	<20%
LED Driver	Custom made 120-277VAC, 230-370VDC	MeanWell 90-295VAC/127-417VDC
Surge Protection	1 KV	2KV
Power Protection	Short circuit, over temperature, over voltage	Short circuit, over temperature
Inrush Current	27A	45A

## Ordering Logic

ORDER EXAMPLE: HALX EX SB GM RV D120 50 36W

(1) Product	(2) Product Category	(3) Mounting	(4) Lens
HALX	EX - Explosion Proof (36W) EXL -Explosion Proof XL Body (36W & 60W)	SB - Swivel Bracket <b>(S)</b> PM - Pendant Mount SAB - Stanchion Mount 25° SSB - Stanchion Mount 90° WAB - Wall Mount 25° WMB - Wall Mount 90° CMB - Ceiling Mount EMB - Eye-Bolt Mount SBB - B-type Swivel Bracket PMB - B-type Pendant Mount	GM - Borosilicate Glass and Mesh Guard
(5) Voltage	(6) Optics	(7) Kelvin	(8) Wattage
RV - 120-277 VAC (36W) - 90-295 VAC ((60W) HV - 230-370 VDC (36W) - 127-417 VDC (60W)	D120 - 120°	30 - 3000 K 40 - 4000 K 50 - 5000 K <b>(S)</b>	36W (5,200 lm) 60W (8,700 lm)

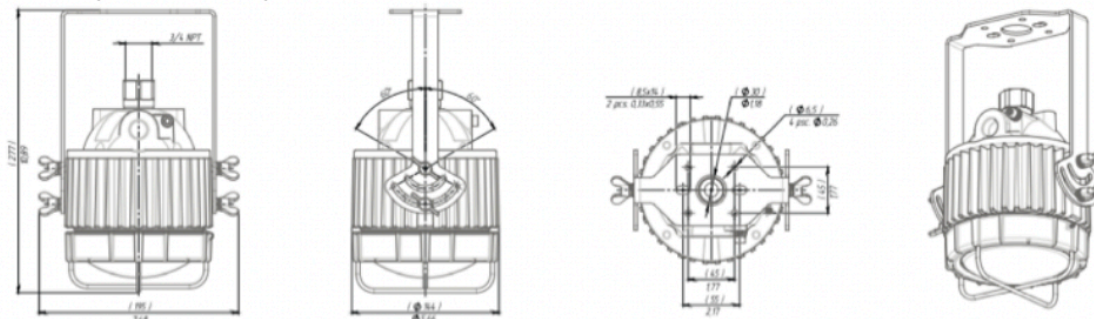
**(S) Standard**

# Product Dimensions

## HALX-EX-SB 36W

Swivel Bracket

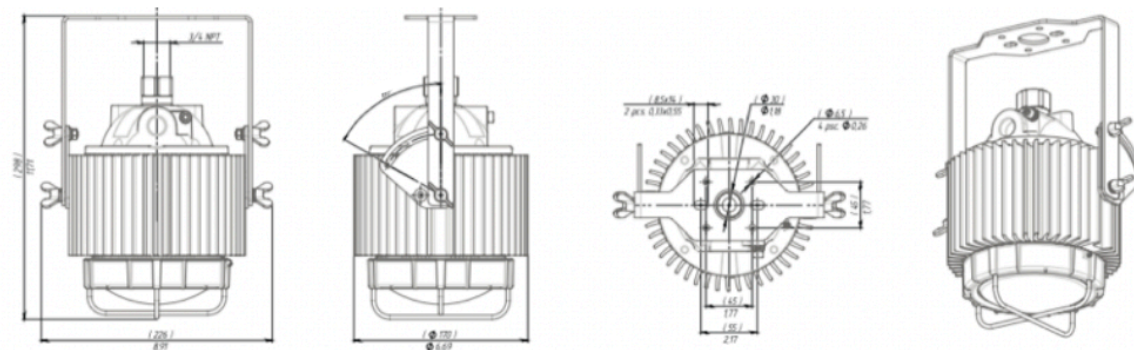
Fixture Weight: 8.16 lb [3.7 kg]



## HALX-EX-SB 60W

Swivel Bracket

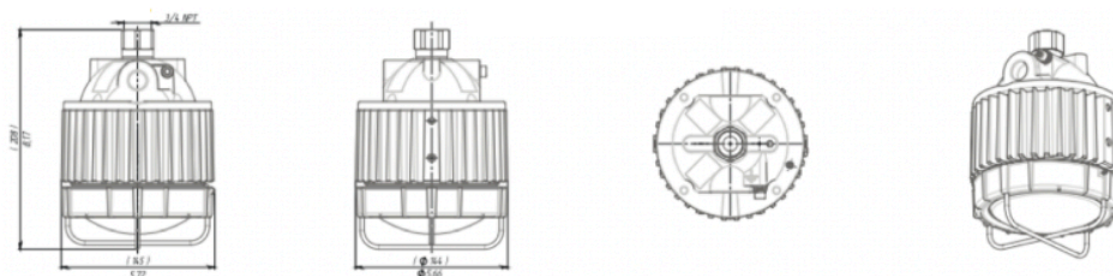
Fixture Weight: 12.15 lb [5.5 kg]



## HALX-EX-PM 36W

Pedant Mount

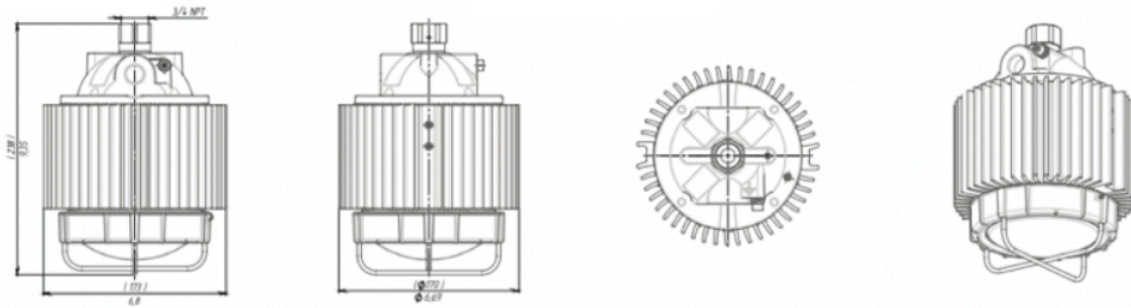
Fixture Weight: 6.97 lb [3.2 kg]



**HALX-EX-PM 60W**

Pedant Mount

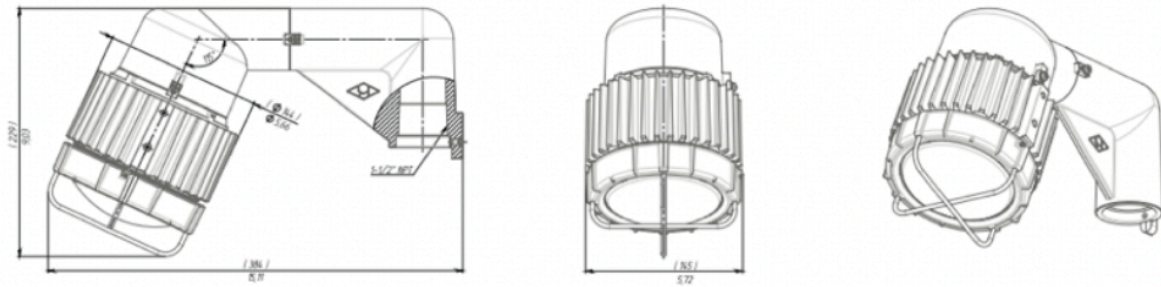
Fixture Weight: 10.67 lb [4.9 kg]



**HALX-EX-SAB 36W**

Stanchion Mount 25°

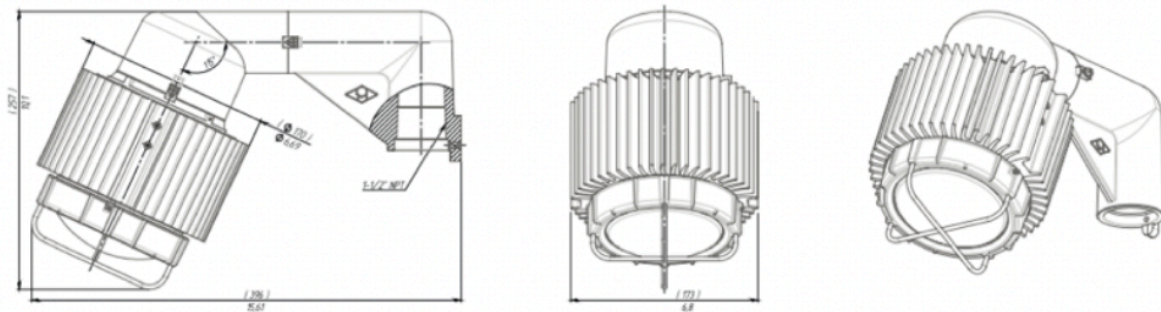
Fixture Weight: 9.90 lb [4.5 kg]



**HALX-EX-SAB 60W**

Stanchion Mount 25°

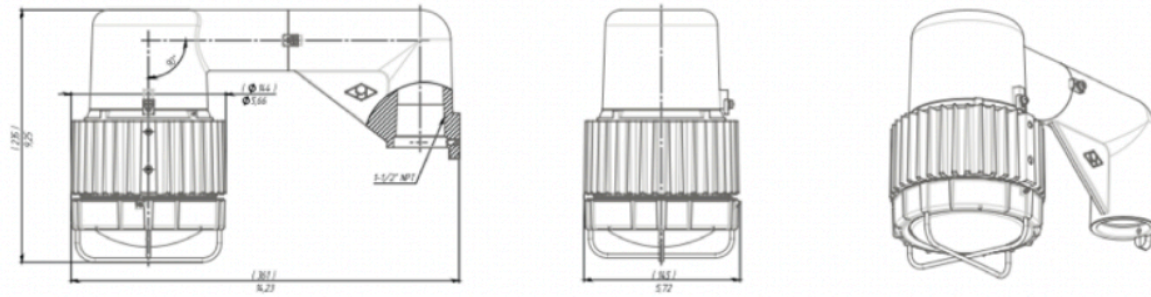
Fixture Weight: 13.60 lb [6.2 kg]



### HALX-EX-SSB 36W

Stanchion Mount 90°

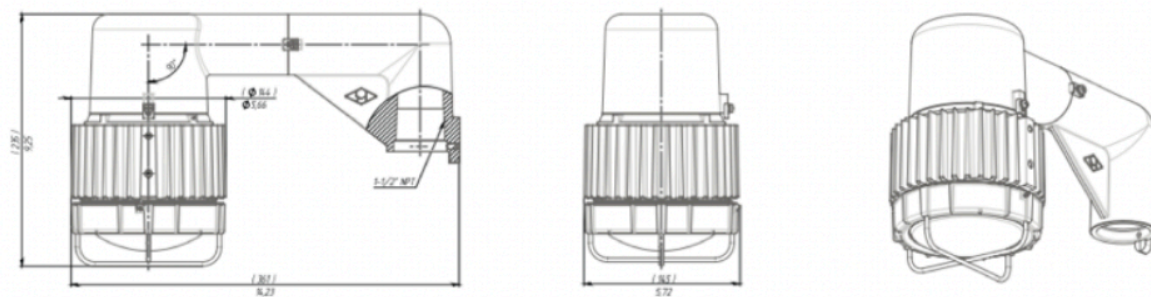
Fixture Weight: 10.41 lb [4.7 kg]



### HALX-EX-SSB 60W

Stanchion Mount 90°

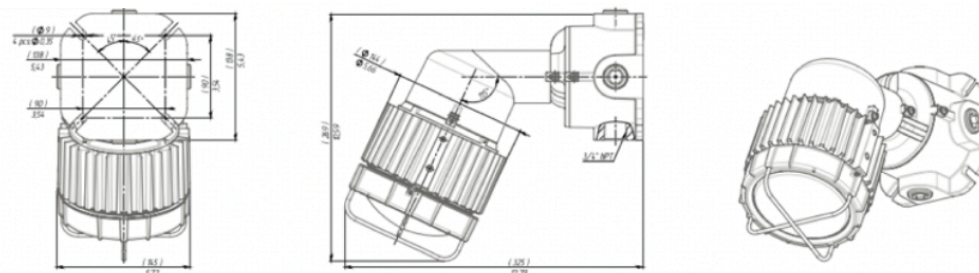
Fixture Weight: 14.11 lb [6.4 kg]



### HALX-EX-WAB 36W

Wall Mount 25°

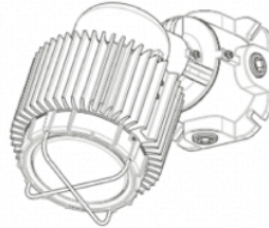
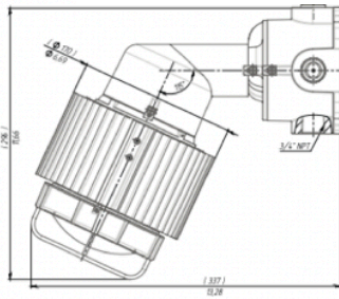
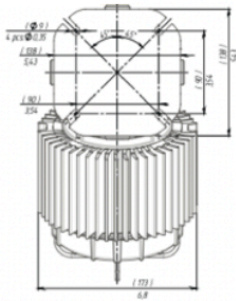
Fixture Weight: 11.68 lb [5.3 kg]



**HALX-EX-WAB 60W**

Wall Mount 25°

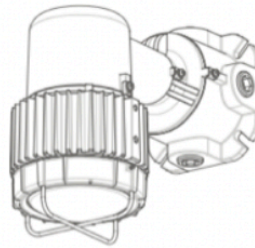
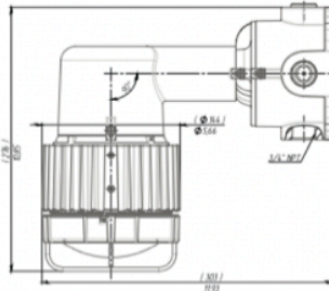
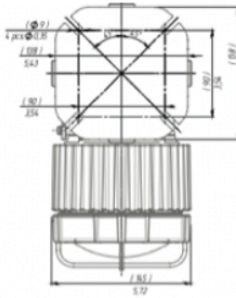
Fixture Weight: 15.37 lb [7.0 kg]



**HALX-EX-WMB 36W**

Wall Mount 90°

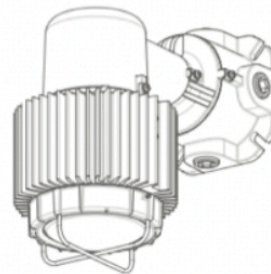
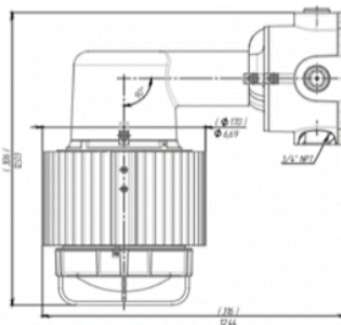
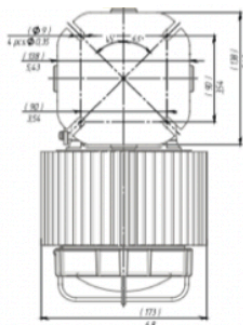
Fixture Weight: 12.17 lb [5.5 kg]



**HALX-EX-WMB 60W**

Wall Mount 90°

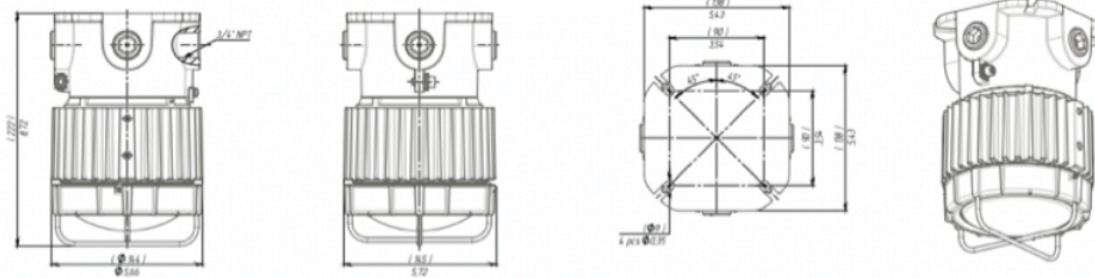
Fixture Weight: 12.17 lb [5.5 kg]



### HALX-EX-CMB 36W

Ceiling Mount

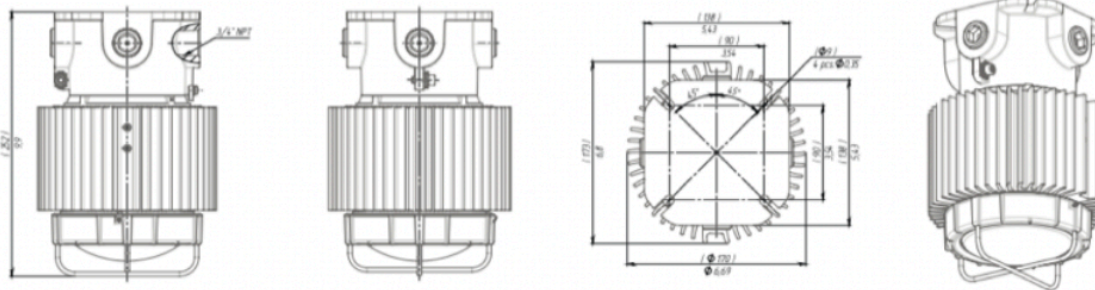
Fixture Weight: 9.66 lb [4.4 kg]



### HALX-EX-CMB 60W

Ceiling Mount

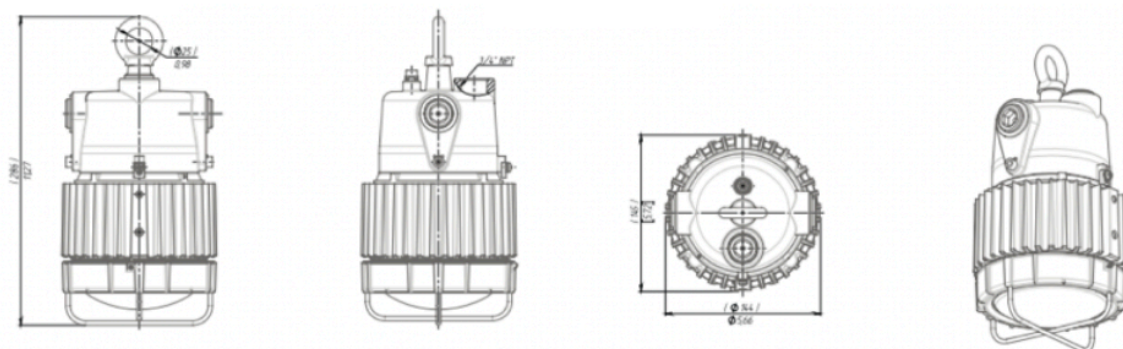
Fixture Weight: 13.36 lb [6.1 kg]



### HALX-EX-EMB 36W

Eye-Bolt Mount

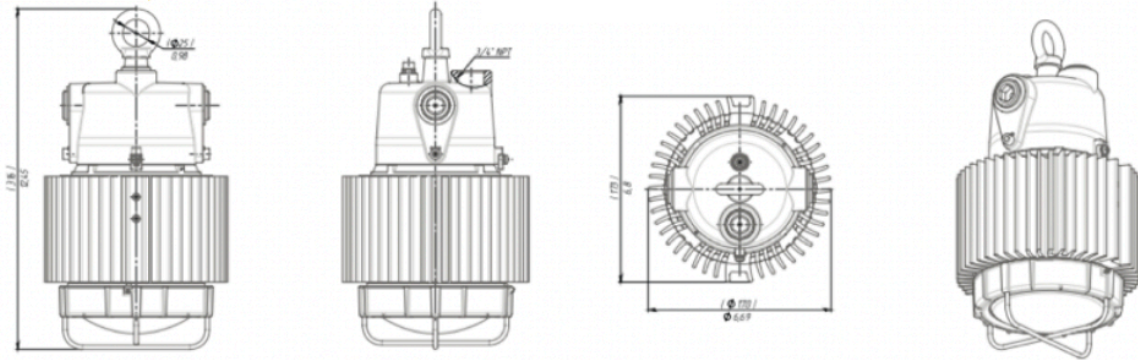
Fixture Weight: 8.77 lb [4.0 kg]



### HALX-EX-EMB 60W

Eye-Bolt Mount

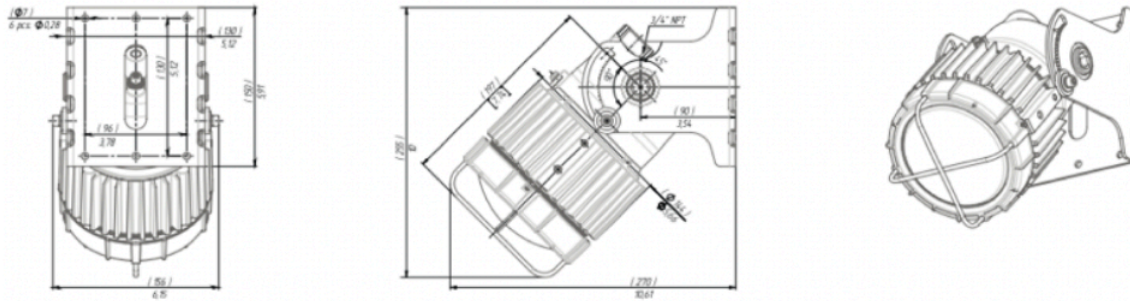
Fixture Weight: 12.41 lb [5.7 kg]



### HALX-EX-SBB 36W

Swivel Bracket

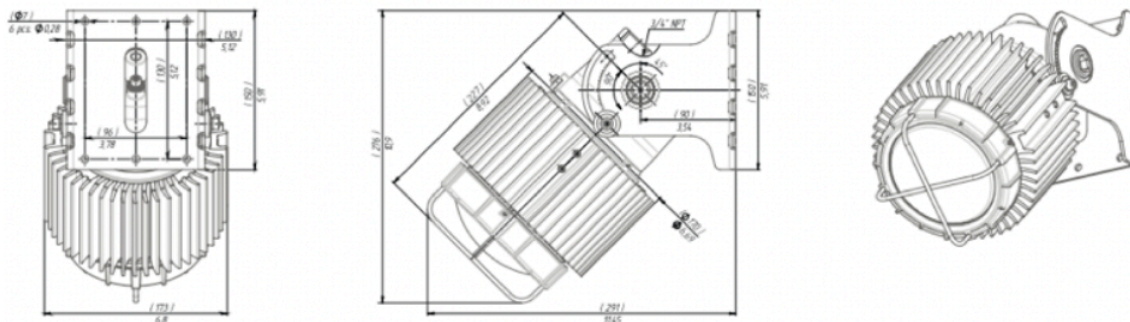
Fixture Weight: 10.60 lb [4.8 kg]



### HALX-EX-SBB 60W

Swivel Bracket

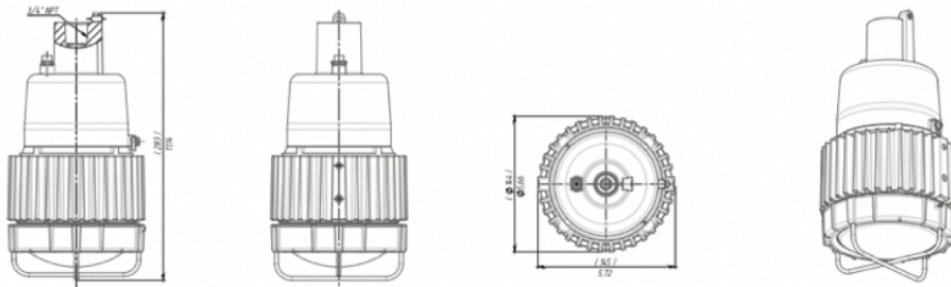
Fixture Weight: 14.29 lb [6.5 kg]



**HALX-EX-PMB 36W**

Pendant Mount

Fixture Weight: 8.28 lb [3.8 kg]



**HALX-EX-PMB 36W**

Pendant Mount

Fixture Weight: 11.97 lb [5.4 kg]

