

Class 1 Division 2

Key Features

- FEATURES:** Extremely Rugged
Area Light-Quick Retrofit for existing fixture
High Im/W
Impact & Vandal Resistant
BAA (Buy American Act)
- OPTIONS:** High Voltage
Military Grade Lens

Compliance

UL 844 Hazardous Locations
Class I Division 2 Groups A, B, C, D
Class I Zone 2 Group IIC
Class II Division 1 Groups E, F
Class II Division 2 Groups E, F
Class II Zone 20, 21, or 22 Group II B
Class III
UL 1598 Suitable for Wet Locations
UL 1598A Marine Saltwater

CSA C22.2 No. 250.0
CSA C22.2 No. 137
IP66 per IEC 60598-1 @ -40°C to +55°C (-40°F to +131°F)
1Ex d IIC T5 @ -40°C to +55°C (-40°F to +131°F)



(BAA) Buy American Act, meeting the requirements for domestic manufacturing and material sourcing as outlined in 41 U.S.C. §§

Applications

Oil and Gas

Petroleum production and refining
Petroleum loading, storage, transportation and retail
Confined spaces with vapor accumulation
LNG and LPG handling
Oil tankers and shipping vessels
Fuel system testing facilities

Power Plants

Coal-fired power plants, including coal handling and storage areas
Gas-fired power plants with fuel storage
Nuclear power facilities in hazardous auxiliary areas
Biomass or waste-to-energy plants with combustible dust risks

Industrial

Industrial storage facilities
Paper mills, sawmills and lumber yards
Loading dock platforms
Manufacturing plants for heavy industrial goods
Warehouses handling flammable materials

Waste Treatment

Wastewater treatment plants
Pumping stations
Solid waste processing and incineration facilities
Sewage treatment with methane gas risks
Hazardous waste recycling centers

Mining

Operations and service areas
Underground mining tunnels with gas accumulation

Chemical Industry

Chemical production, processing and storage facilities
Solvent handling and mixing areas
Chemical research labs with flammable substances

Ocean, Marine and Aerospace

Offshore platform operation facilities and structures
Marine and saltwater environments
Aerospace clean rooms and production areas
Ocean vessel operations
Shipyards and dry docks
Aircraft hangars with fuel vapors

Metal Treatment

Paint facilities
Steel and aluminum factories
Metal smelting, foundry and fabrication
Welding and cutting areas with gas risks

Military and Defense

Ammunition storage and handling
Fuel depots and refueling stations
Explosives manufacturing
Vehicle maintenance bays in hazardous zones

Food, Alcohol and Agriculture Industry

Flour and fine particle production and storage
Food and distilling production
Grain storage elevators and silos
Breweries and fermentation tanks
Feed mills with dust risks
Fertilizer production and storage

Pharmaceutical Industry

Drug manufacturing and solvent handling
Clean rooms with volatile compounds
Pill coating and drying areas
Research and development labs

Other high humidity, high dust, high temperature and vapor locations

Specifications

Wattage	20W	36W	60W
---------	-----	-----	-----

OPTICAL

Lumen Output	2600 lm (GM) 2300 lm (XPC)	5200 lm (GM) 4900 lm (XPC)	8700 lm (GM) 8100 lm (XPC)
Lumens Per Watt	135 lm/W (GM) 125 lm/W (XPC)	140 lm/W (GM) 135 lm/W (XPC)	145 lm/W (GM) 140 lm/W (XPC)
Color Temperature: CCT	Standard: 5000K Options: 3000K - 5000K		
CRI (Color Rendering Index)	> 70		
Beam Angle	120°		
Light Source	Samsung LEDs / R1		

ENVIRONMENTAL

Ambient Operating Temperature	-40°C to +55°C (-40°F to +131°F)		-40°C to +50°C (-40°F to +122°F)
Temperature Code	T6 (+55°C)	T6 (+55°C)	T6 (+55°C)

REPLACEMENT

Next Generation	RFK: Crouse-Hinds Champ® adapter plate RFK: Killark Certilite V® adapter plate RFH: Holophane Petrolux®II adapter plate RFA2: MercMaster®II adapter plate RFA3: MercMaster®III adapter plate RFGE: GE Filtr-guard® H2 RFTB: Hazlux by Thomas & Betts
-----------------	---

MECHANICAL

Housing Material	Copper free aluminum alloy
Lens Diffuser	Tempered clear borosilicate glass
Hardware	Marine grade stainless steel
Finish	Polyester powder coat finish
Cable Entry	Classified for CID2 nickel plated brass cable gland
Warranty	5 Year Standard Warranty

ELECTRICAL

Lifespan	L70> 120,000 Operational Hours @ 25°C		
Input Frequency	50/60Hz		
Power Factor	> 0.95 (120, 220VAC) > 0.9 (277VAC)	> 0.95	> 0.95 @115V
THD (Total Harmonic Distortion)	<20%	< 30%	<20%
LED Driver	Inventronics 90-305VAC	Custom made 120-277VAC, 230-370VDC	MeanWell 90-295VAC 127-417VDC
LED Driver Protection	Short circuit, over load protection, over voltage	Output short circuit, over temperature	
Surge Protection	2kV	1kV	2kV
Inrush Current	40A	27A	45A

Ordering Logic

ORDER EXAMPLE: RET HL RFC GM RV D120 50 36W

(1) Product	(2) Product Category	(3) Mounting	(4) Lens
RET - RETROFIT	HL - Hazardous Location Rated Body	RFC - Crouse-Hinds Champ RFK - Killark Certilite RFH - Holophane Petrolux II RFA2 - MerccMaster II RFA3 - MerccMaster III RFGE - GE Filter - Guard H2 RFTB - Hazlux by Thomas & Betts RFCN - Crouse-Hinds Champ N2MV	GM - Borosilicate Glass and Mesh Guard XPC - Extreme Polycarbonate Lens
(5) Voltage	(6) Optics	(7) Kelvin	(8) Wattage
RV - 120-277 VAC	D120 - 120°	30 - 3000 K	20W (GM 2,600lm/XPC 2,300lm)
HV - 347-480VAC*		40 - 4000 K	36W (GM 5,200lm/XPC 4,900lm)
		50 - 5000 K(S)	60W (GM 8,700lm/XPC 8,100lm)

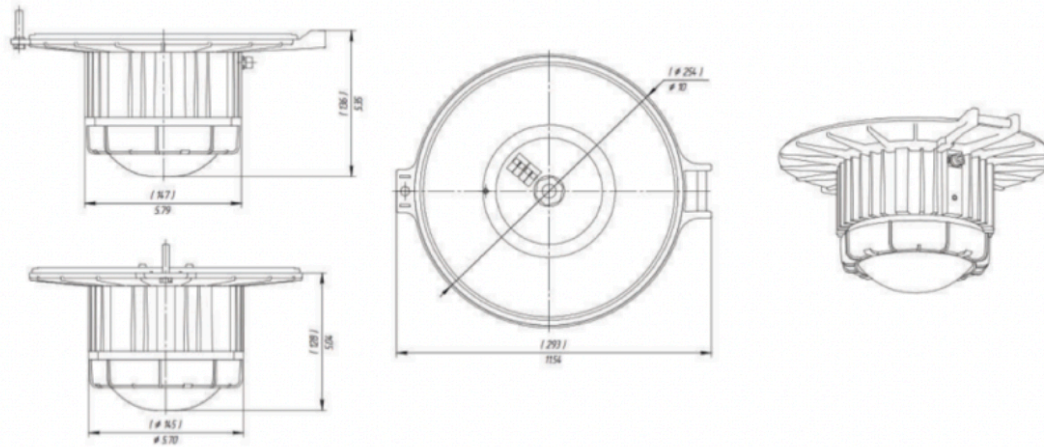
(S) Standard

* Available on 36W Models

Product Dimensions

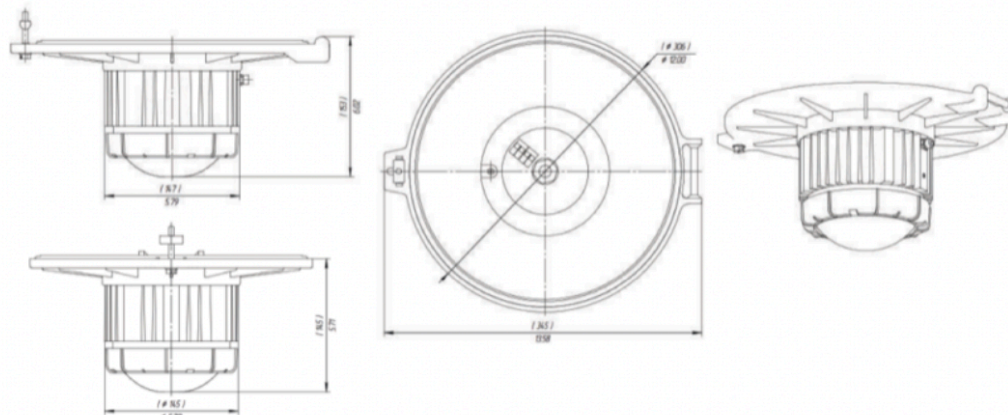
RET-HL-RFC 20-60W

Fixture Weight: 9.9 lb [4.5 kg]



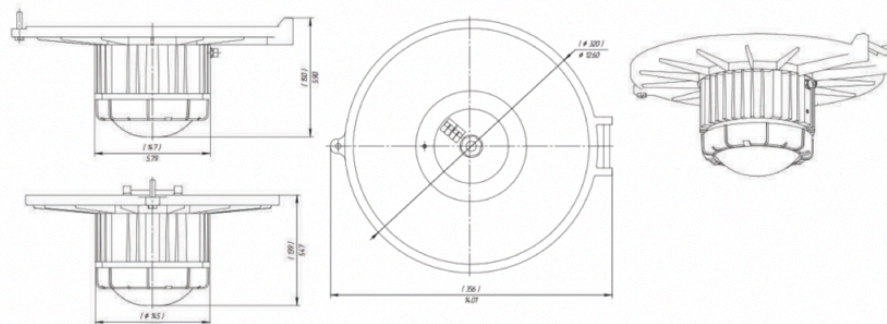
RET-HL-RFK 20-60W

Fixture Weight: 11 lb [5 kg]



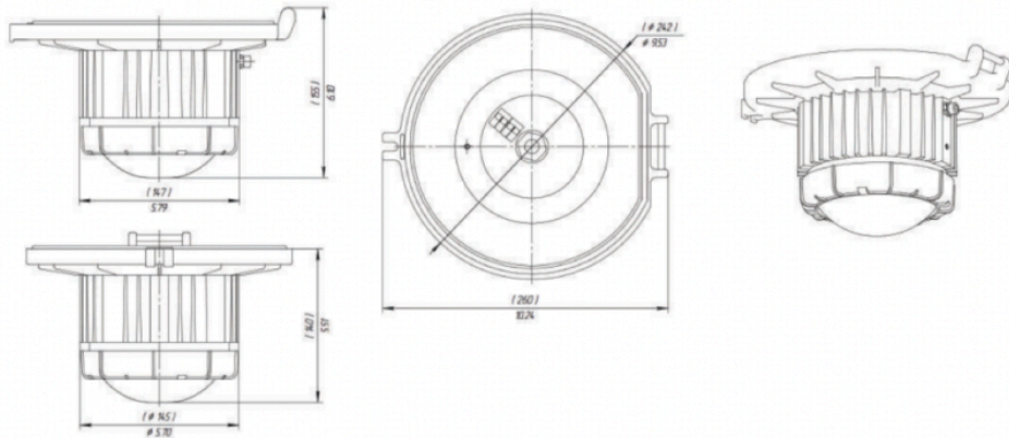
RET-HL-RFH 20-60W

Fixture Weight: 11.2 lb [5.1 kg]



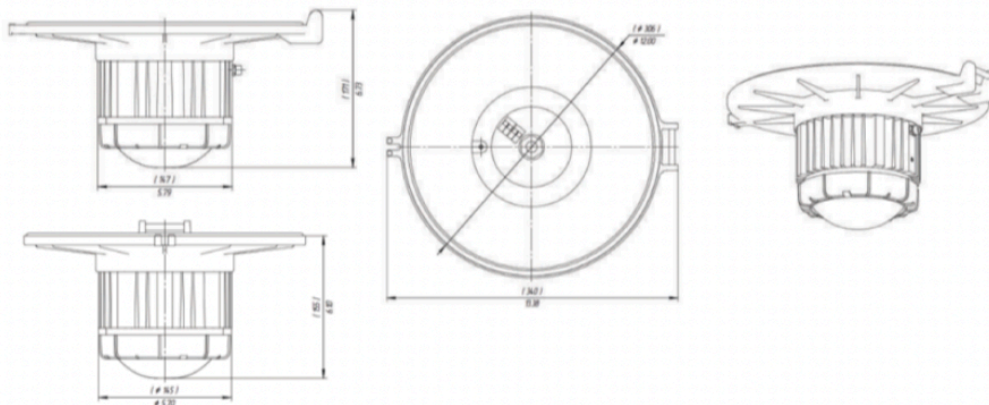
RET-HL-RFA2 20-60W

Fixture Weight: 7.5 lb [3.4 kg]



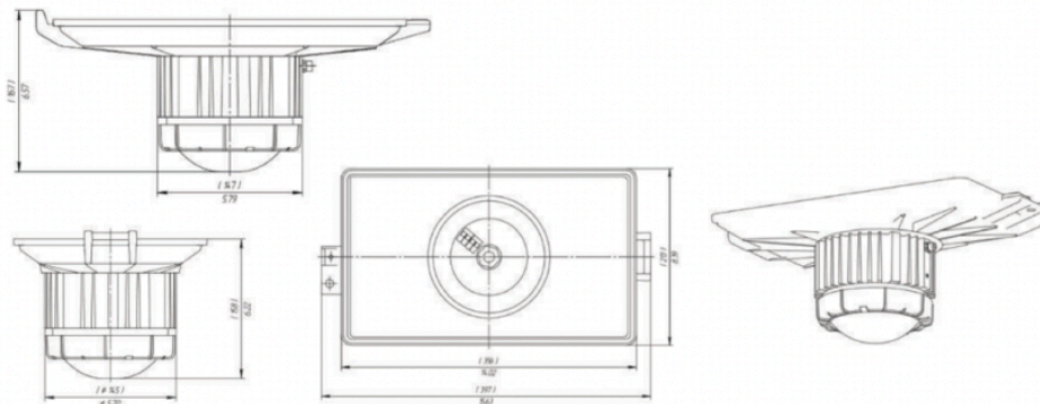
RET-HL-RFA3 20-60W

Fixture Weight: 10.8 lb [4.9 kg]



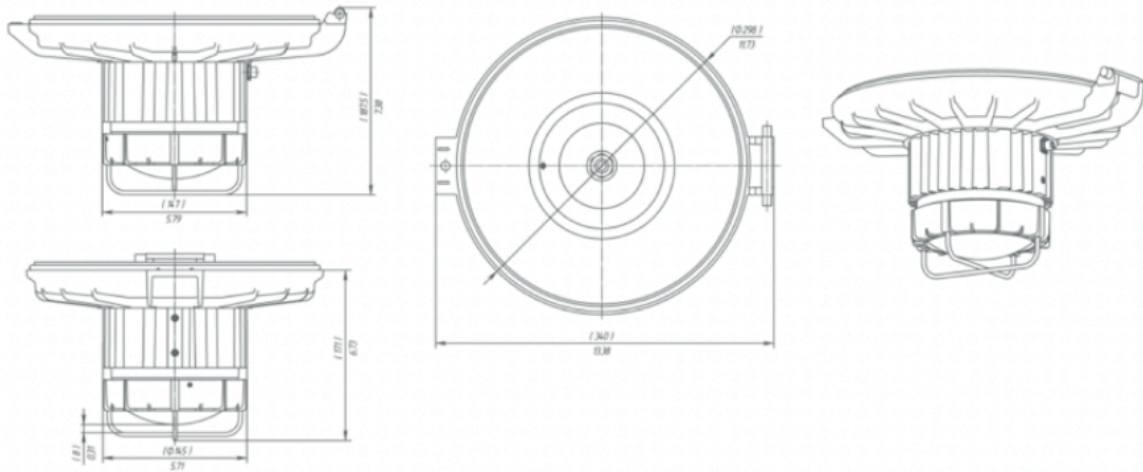
RET-HL-RGE 20-60W

Fixture Weight: 10.8 lb [4.9 kg]



RET-HL-RFTB 20-60W

Fixture Weight: 11.5 lb [5.2 kg]



Packaging Information

	GM	XPC
Pieces	1	1
Fixture Dimensions	See Product Dimensions Drawing	See Product Dimensions Drawing
Net Fixture Weight	RFC 9.9 lb (4.5 kg) RFK 11 lb (5 kg) RFH 11.2 lb (5.1 kg) RFA2 7.5 lb (3.4 kg) RFA3 10.8 lb (4.9 kg) RFG 10.8 lb (4.9 kg) RFTB 11.5 lb (5.2 kg)	RFC 9.9 lb (4.5 kg) RFK 11 lb (5 kg) RFH 11.2 lb (5.1 kg) RFA2 7.5 lb (3.4 kg) RFA3 10.8 lb (4.9 kg) RFG 10.8 lb (4.9 kg) RFTB 11.5 lb (5.2 kg)