



## Class 1 Division 2



### Key Features

- FEATURES:** Jelly Jar (Rugged)  
Impact Protection  
Cost Efficient
- OPTIONS:** 3 Mounting Styles

# Compliance

UL 844 Hazardous Locations  
Class I Division 2 Groups A, B, C, D  
Class II Division 1 Groups E, F, G  
Class II Division 2 Groups F, G  
Class III  
UL 1598 Suitable for Wet Locations  
UL 1598A Marine Saltwater  
UL 924 Emergency Lighting  
UL 8750 LED Safety

Certificate 80070037  
IP66  
IK08  
ABS  
DLC select versions

# Applications

## **Oil and Gas**

Petroleum production and refining  
Petroleum loading, storage, transportation and retail  
Confined spaces with vapor accumulation  
LNG and LPG handling  
Oil tankers and shipping vessels  
Fuel system testing facilities

## **Power Plants**

Coal-fired power plants, including coal handling and storage areas  
Gas-fired power plants with fuel storage  
Nuclear power facilities in hazardous auxiliary areas  
Biomass or waste-to-energy plants with combustible dust risks

## **Industrial**

Industrial storage facilities  
Paper mills, sawmills and lumber yards  
Loading dock platforms  
Manufacturing plants for heavy industrial goods  
Warehouses handling flammable materials

## **Waste Treatment**

Wastewater treatment plants  
Pumping stations  
Solid waste processing and incineration facilities  
Sewage treatment with methane gas risks  
Hazardous waste recycling centers

## **Mining**

Operations and service areas  
Underground mining tunnels with gas accumulation

## **Chemical Industry**

Chemical production, processing and storage facilities  
Solvent handling and mixing areas  
Chemical research labs with flammable substances

## **Ocean, Marine and Aerospace**

Offshore platform operation facilities and structures  
Marine and saltwater environments  
Aerospace clean rooms and production areas  
Ocean vessel operations  
Shipyards and dry docks  
Aircraft hangars with fuel vapors

## **Metal Treatment**

Paint facilities  
Steel and aluminum factories  
Metal smelting, foundry and fabrication  
Welding and cutting areas with gas risks

## **Military and Defense**

Ammunition storage and handling  
Fuel depots and refueling stations  
Explosives manufacturing  
Vehicle maintenance bays in hazardous zones

## **Food, Alcohol and Agriculture Industry**

Flour and fine particle production and storage  
Food and distilling production  
Grain storage elevators and silos  
Breweries and fermentation tanks  
Feed mills with dust risks  
Fertilizer production and storage

## **Pharmaceutical Industry**

Drug manufacturing and solvent handling  
Clean rooms with volatile compounds  
Pill coating and drying areas  
Research and development labs

## **Other high humidity, high dust, high temperature and vapor locations**

# Specifications

Wattage	10W	20W	30W	40W	10W	20W	30W	40W	10W	20W	30W	40W
Body	M1				M2				M3			

## OPTICAL

Lumen Output	1000 lm	2000 lm	3000 lm	4000 lm	1000 lm	2000 lm	3000 lm	4000 lm	1000 lm	2000 lm	3000 lm	4000 lm
Lumens Per Watt	100 lm/W											
Color Temperature: CCT	<b>Standard:</b> 5000K <b>Options:</b> 3000K - 6500K											
CRI (Color Rendering Index)	>70											
Beam Angle	120°											
Dimming	0-10V dimming											

## ENVIRONMENTAL

Ambient Operating Temperature	T6/T80°C: -40°C to +25°C (-40°F to +77°F) T5/T95°C: -40°C to +40°C (-40°F to +104°F) T4/T130°C: -40°C to +60°C (-40°F to +140°F) (Emergency) T4/T130°C: - 10°C to +40°C (14°F to +104°F)
Temperature Code	T6 (+25°C), T5 (+40°C), T4 (+60°C)

## MECHANICAL

Housing Material	Copper-free aluminum		
Lens Diffuser	Tempered glass (frosted and clear options)		
Mounting	Ceiling	Pendant	Wall
Cable Entry	4 sidewall cable entries can be used for M25, M20, NPT 1/2" or NPT 3/4" certified cable glands		
Warranty	5 Year Standard Warranty		

## ELECTRICAL

Lifespan	L70> 150,000 Operational Hours @ 55°C
Input Voltage	100-277VAC
Input Frequency	50/60Hz
Power Factor	> 0.95

# Ordering Logic

ORDER EXAMPLE: HLL O EX 30W O D 50 D120 C M1

(1) Product	(2) Product Category	(3) Wattage	(4) Shape Series	(5) Dimming	(6) Kelvin
HLL O	EX - Explosion Proof	10W (1000 lm) 20W (2000 lm) 30W (3000 lm) 40W (4000 lm)	O	D - Dimmable N - Non-Dimmable	30 - 3000 K 40 - 4000 K 50- 5000 K (S)
(7) Beam Angle		(8) Glass		(9) Mounting	
D40 - 40° D60 - 60° D90 - 90° D120 - 120° (S)		C - Globe Glass P - Plate Short Glass B - Middle Long Globe Glass		M1 - Ceiling Mounting M2 - Pole Mounting M3 - 90° Wall Mounting	

(S) Standard

## Accessories



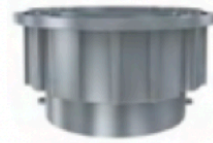
Ceiling/Wall



Ceiling/Wall (Interior Detail)



Reflector



Heat Sink



Globe Glass



Globe Guard



Extension



Main Part



Flat Glass

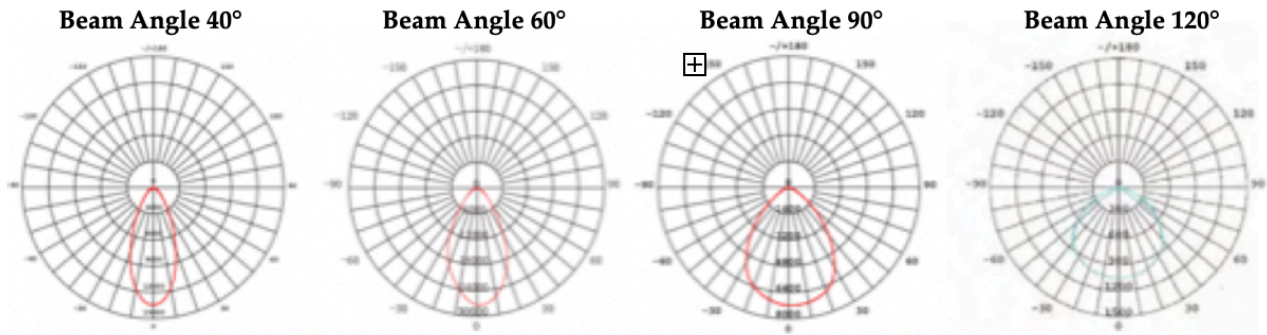


Flat Guard

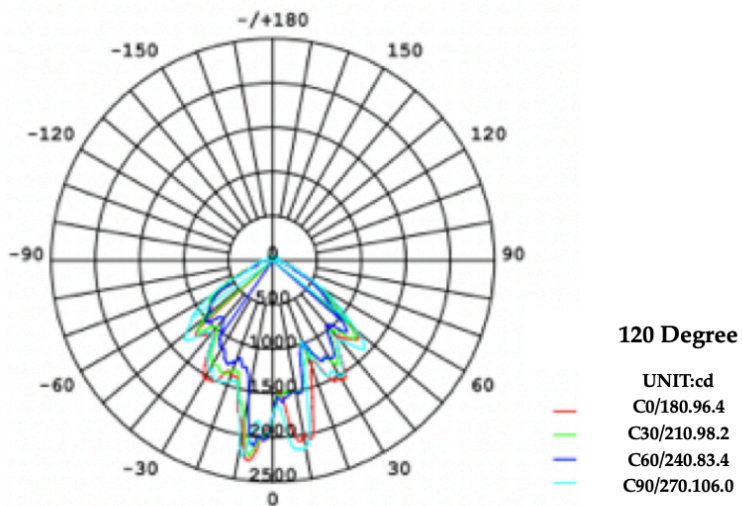


Clear

# Light Distribution



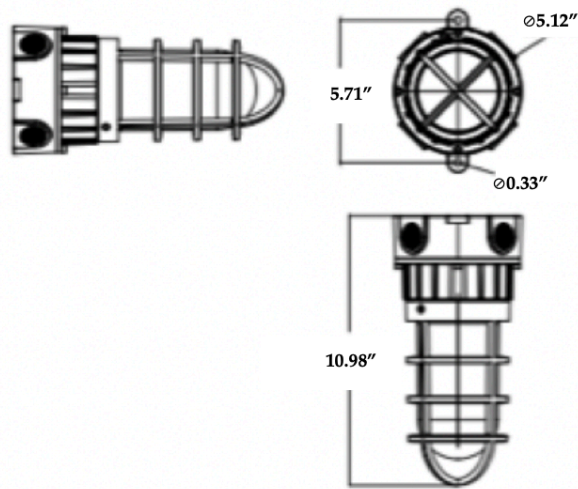
# Photometric



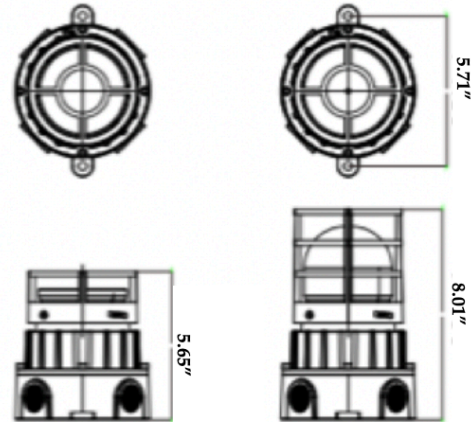
Average Beam Angle (50%):121.1 DEG

# Product Dimensions

With Globe Guard



With Flat Guard



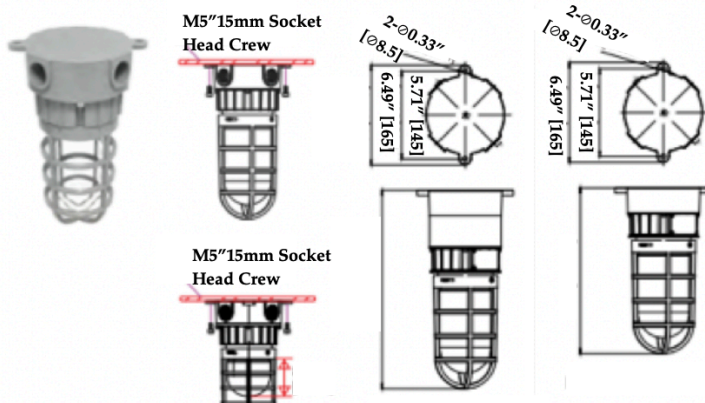
Thickness of diffuser: 0.18"

# Packaging Information

Pieces	1	1	1
Fixture Dimensions	See Product Dimensions Drawing	See Product Dimensions Drawing	See Product Dimensions Drawing
Package Dimensions	14.56" x 10.63" x 9.45" 370mm x 270mm x 240mm	10.43" x 14.96" x 10.04" 265mm x 380mm x 255mm	16.54" x 13.39" x 9.45" 420mm x 340mm x 240mm
Net Fixture Weight	5.95 lb	4.41 lb	8.16 lb
Gross Weight	7.06 lb	5.51lb	9.26 lb.

# Mounting Methods

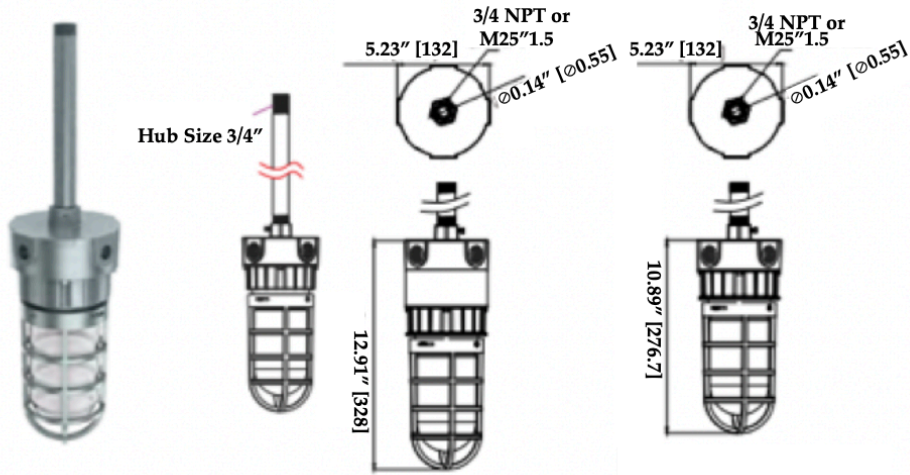
Option 1: Ceiling Mounting



Accessory



### Option 2: Pole Mounting



### Accessory

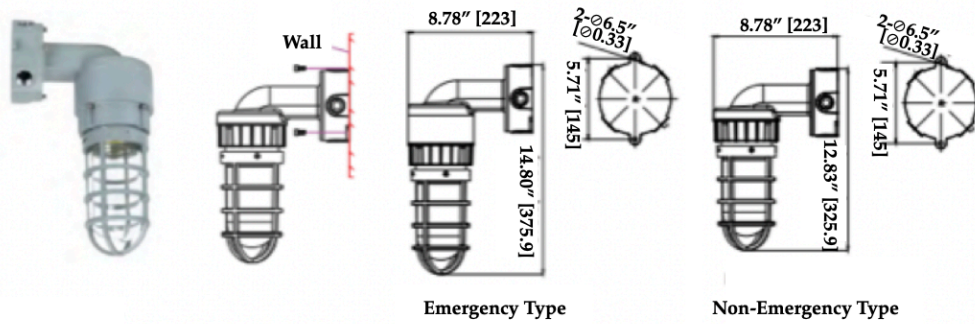


Pole Ex-Straight Pipe



Pendant

### Option 3: 90° Wall Mounting

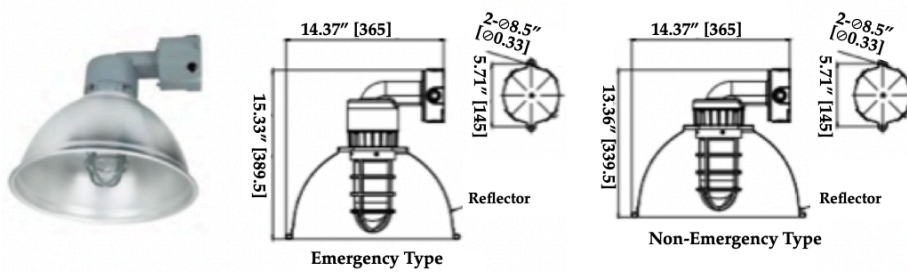


### Accessory



Wall Elbow

### Option 4: 90° Wall Mounting with Reflector



### Accessory



Wall Elbow



Reflector