



## Wet Location

### Key Features

- FEATURES:** Jelly Jar (Rugged)  
Enclosed and Gasketed
- OPTIONS:** 3 Mounting Styles  
6 lens colors

# Compliance

Wet Location  
Enclosed and Gasketed

# Applications

## **Oil and Gas**

Petroleum production and refining  
Petroleum loading, storage, transportation and retail  
Confined spaces with vapor accumulation  
LNG and LPG handling  
Oil tankers and shipping vessels  
Fuel system testing facilities

## **Power Plants**

Coal-fired power plants, including coal handling and storage areas  
Gas-fired power plants with fuel storage  
Nuclear power facilities in hazardous auxiliary areas  
Biomass or waste-to-energy plants with combustible dust risks

## **Industrial**

Industrial storage facilities  
Paper mills, sawmills and lumber yards  
Loading dock platforms  
Manufacturing plants for heavy industrial goods  
Warehouses handling flammable materials

## **Waste Treatment**

Wastewater treatment plants  
Pumping stations  
Solid waste processing and incineration facilities  
Sewage treatment with methane gas risks  
Hazardous waste recycling centers

## **Mining**

Operations and service areas  
Underground mining tunnels with gas accumulation

## **Chemical Industry**

Chemical production, processing and storage facilities  
Solvent handling and mixing areas  
Chemical research labs with flammable substances

## **Ocean, Marine and Aerospace**

Offshore platform operation facilities and structures  
Marine and saltwater environments  
Aerospace clean rooms and production areas  
Ocean vessel operations  
Shipyards and dry docks  
Aircraft hangars with fuel vapors

## **Metal Treatment**

Paint facilities  
Steel and aluminum factories  
Metal smelting, foundry and fabrication  
Welding and cutting areas with gas risks

## **Military and Defense**

Ammunition storage and handling  
Fuel depots and refueling stations  
Explosives manufacturing  
Vehicle maintenance bays in hazardous zones

## **Food, Alcohol and Agriculture Industry**

Flour and fine particle production and storage  
Food and distilling production  
Grain storage elevators and silos  
Breweries and fermentation tanks  
Feed mills with dust risks  
Fertilizer production and storage

## **Pharmaceutical Industry**

Drug manufacturing and solvent handling  
Clean rooms with volatile compounds  
Pill coating and drying areas  
Research and development labs

**Other high humidity, high dust, high temperature and vapor locations**

# Specifications

Wattage	26W	26W	26W
Body	C: Ceiling	P: Pendant	WB: Wall

## OPTICAL

Color Temperature: CCT	<b>Standard:</b> 5000K <b>Options:</b> 3000K - 5000K
CRI (Color Rendering Index)	> 80

## ENVIRONMENTAL

Ambient Operating Temperature	-40°C to +40°C (-40°F to 104°F)
Temperature Code	T3

## MECHANICAL

Housing Material	Vapor Proof Cast Aluminum		
Guard	GW: Guard, Wire GC: Guard, Cast		
Globe	CG: Clear Glass CP: Clear Polycarbonate PP: Prismatic Polycarbonate TG: Tempered Glass Colored Globes: R- Red, G- Green, A- Amber, W- White		
Fixture Color	Grey		
Mounting	Ceiling, Pendant, Wall		
Cable Entry	(Option on Pendant)	1/2" NPT Threaded hole	(Option on Pendant)
Warranty	5 Year Standard Warranty		

## ELECTRICAL

Lifespan	L70> 50,000 Operational Hours @ 40°C
Input Voltage	120-277VAC
Input Frequency	50/60Hz

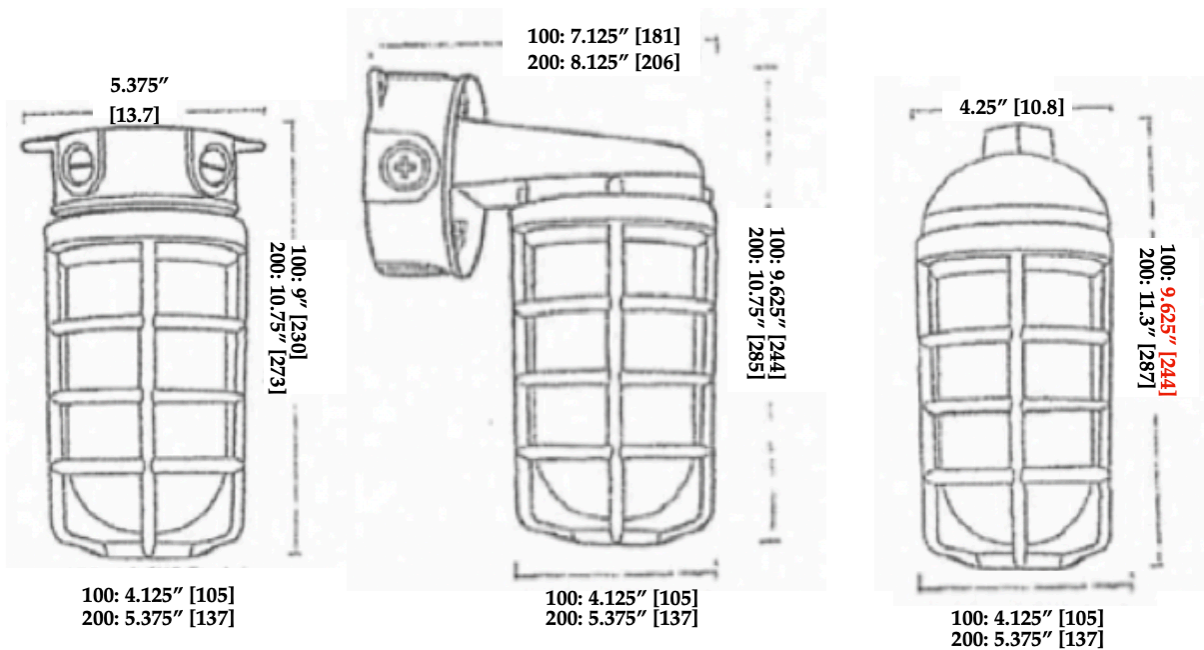
# Ordering Logic

ORDER EXAMPLE: VPA EX 26W U CG GW CM

(1) Product	(2) Product Category	(3) Wattage	(4) Voltage
VPA	EX - Explosion Proof	26W (1150 LM)	120 - 120v U - 100-277v (S)
(5) Globe Type		(6) Guard	(7) Mounting
PP - Prismatic Polycarbonate TG - Tempered Glass CP - Clear Polycarbonate CG - Clear Glass * R - Red G - Green B - Blue A - Amber W - White		GW - Guard, Wire GC - Guard, Cast	CM - Ceiling Mount PM - Pendant Mount WM - Wall Mount

(S) Standard \*For colored globes replace 'C' with R/G/B/A/W

# Product Dimensions



# Packaging Information

Pieces	1	1	1
Fixture Dimensions	5.38" X 10.75" 137mm X 273mm	8.5" X 11.25" 206mm X 285mm	4.25" X 11 15/16 " mm x mm x mm 108mm X 287mm
Net Fixture Weight	4 lbs.	4 lbs.	5 lbs.