



Wet Location

Key Features

- FEATURES:** Jelly Jar (Rugged)
Enclosed and Gasketed
Non Metallic
Corrosion Resistant
BAA BAA (Buy America Act)
- OPTIONS:** 3 Mounting Options

Compliance

Wet Location
Enclosed and Gasketed
UL 94-V-0 (Rynite)



(BAA) Buy American Act, meeting the requirements for domestic manufacturing and material sourcing as outlined in 41 U.S.C. §§

Applications

Oil and Gas

Petroleum production and refining
Petroleum loading, storage, transportation and retail
Confined spaces with vapor accumulation
LNG and LPG handling
Oil tankers and shipping vessels
Fuel system testing facilities

Power Plants

Coal-fired power plants, including coal handling and storage areas
Gas-fired power plants with fuel storage
Nuclear power facilities in hazardous auxiliary areas
Biomass or waste-to-energy plants with combustible dust risks

Industrial

Industrial storage facilities
Paper mills, sawmills and lumber yards
Loading dock platforms
Manufacturing plants for heavy industrial goods
Warehouses handling flammable materials

Waste Treatment

Wastewater treatment plants
Pumping stations
Solid waste processing and incineration facilities
Sewage treatment with methane gas risks
Hazardous waste recycling centers

Mining

Operations and service areas
Underground mining tunnels with gas accumulation

Chemical Industry

Chemical production, processing and storage facilities
Solvent handling and mixing areas
Chemical research labs with flammable substances

Ocean, Marine and Aerospace

Offshore platform operation facilities and structures
Marine and saltwater environments
Aerospace clean rooms and production areas
Ocean vessel operations
Shipyards and dry docks
Aircraft hangars with fuel vapors

Metal Treatment

Paint facilities
Steel and aluminum factories
Metal smelting, foundry and fabrication
Welding and cutting areas with gas risks

Military and Defense

Ammunition storage and handling
Fuel depots and refueling stations
Explosives manufacturing
Vehicle maintenance bays in hazardous zones

Food, Alcohol and Agriculture Industry

Flour and fine particle production and storage
Food and distilling production
Grain storage elevators and silos
Breweries and fermentation tanks
Feed mills with dust risks
Fertilizer production and storage

Pharmaceutical Industry

Drug manufacturing and solvent handling
Clean rooms with volatile compounds
Pill coating and drying areas
Research and development labs

Other high humidity, high dust, high temperature and vapor locations

Specifications

Wattage	26W	26W	26W
Body	C: Ceiling	P: Pendant	WB: Wall

OPTICAL

Color Temperature: CCT	Standard: 5000K Options: 3000K - 5000K
CRI (Color Rendering Index)	> 80

ENVIRONMENTAL

Ambient Operating Temperature	-40°C to +40°C (-40°F to +104°F)
Temperature Code	T3

MECHANICAL

Housing Material	Injection polymeric non-metallic fixture w/glass or polycarbonate globe.		
Guard	GP: Guard, Polymeric GW: Guard, Wire		
Globe	TG: Tempered Glass Colored Globes: R: Red, G: Green, B: Blue A: Amber, W: White		
Fixture Color	Blue-grey		
Mounting	Ceiling, Pendant, Wall		
Cable Entry	(Option on Pendant)	1/2" NPT Threaded hole	(Option on Pendant)
Warranty	5 Year Standard Warranty		

ELECTRICAL

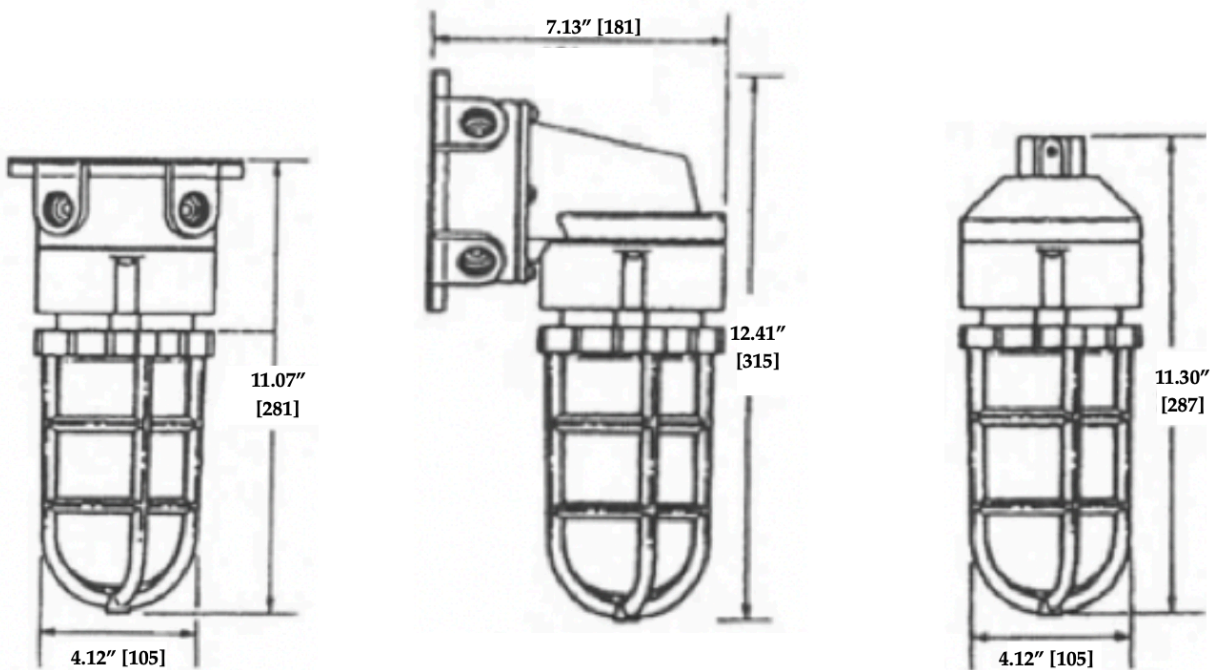
Lifespan	L70> 50,000 Operational Hours @ 40°C
Input Voltage	120-277VAC
Input Frequency	50/60Hz

Ordering Logic

ORDER EXAMPLE: VPP EX 26W U TG GP CM

(1) Product	(2) Product Category	(3) Lamp	(4) Voltage
VPP	EX - Explosion Proof	26W (1872 LM)	U - 120/277v
(5) Globe Type	(6) Guard	(7) Mounting	
TG-Tempered Glass	GP - Guard, Polymeric GW - Guard, Wire	CM - Ceiling Mount PM - Pendant Mount WM - Wall Mount w/Box	

Product Dimensions



Ceiling Mount

Wall Mount

Pendant Mount

Packaging Information

Pieces	1	1	1
Fixture Dimensions	11.07" x 4.12" 281mm x 105mm	12.41" x 7.13" 315mm x 181mm	11.3" x 4.12" 287mm x 105mm
Net Fixture Weight	3 lbs.	3 lbs.	4 lbs.